

Industrial grade L16-30 locking devices

| | |
|-----------------|--------------|
| Project Name: | Prepared By: |
| Project Number: | Date: |
| Catalog Number: | Type: |

Description

NEMA L16-30 30A, 3Ø 480V/AC, 3P-4W



L16-30R L16-30P



AHL1630P



AHL1630C



AHL1630R



AHL1630FO

Design features for plug & connector

- All nylon construction
- EPDM gasket seals cord hole from dust and debris
- Back wire terminal clamps for easy secure wiring
- Individual wiring compartments with tapered channel for easy insertion of wires
- Clear cover over wiring compartments allows easy inspection of wiring terminations
- Rating printed on side of device
- Largest-in-class grommet size allows for entire cord size range

Design features for receptacle

- Rugged glass filled nylon body
- Clearly marked rating, NEMA configuration and approval listings on receptacle face
- One piece brass contacts offer superior performance and minimum heat rise
- Back and side wiring terminal clamps for easy, secure wiring

Design features for flanged inlet & outlet

- All nylon construction
- Mounting holes interchangeable with competitive units
- Back wire terminal clamps for easy, secure wiring
- Individual wiring compartments with tapered channel for easy insertion of wires

Table 1. NEMA L16-30 Industrial Grade Locking Devices

| Catalog No. | Description | Amps | Volts | Color |
|-------------|-------------------------------|------|-------|---------------|
| □ AHL1630P | Ultra grip plug, 3-phase | 30 | 480 | Black & white |
| □ AHL1630C | Ultra grip connector, 3-phase | 30 | 480 | Black & white |
| □ AHL1630R | Single receptacle, 3-phase | 30 | 480 | Black |
| □ AHL1630FO | Flanged outlet, 3-phase | 30 | 480 | Black & white |
| □ AHL1630FI | Flanged inlet, 3-phase | 30 | 480 | Black & white |

Compliances, specifications and availability are subject to change without notice.



Powering Business Worldwide

| | |
|-----------------|--------------|
| Project Name: | Prepared By: |
| Project Number: | Date: |
| Catalog Number: | Type: |

Plug & Connector

NEMA L16-30 30A, 3Ø 480V/AC, 3P-4W

Table 2. Specifications

| Catalog No. | NEMA L16-30 Plug & Connector |
|-------------------------------------|----------------------------------------------------------------------------------------------------------------------------------------------------------------------------------------------------------------------------------------|
| NEMA Config | NEMA L16-30 |
| Wiring Type | Back wire |
| Environmental Specifications | Flammability: Meets UL94 requirements; V2 rated Temperature Rating: -40°C to 60°C (-40°F to 140°F) |
| Electrical Specifications | Dielectric Voltage: Twice the device rating + 1000V per UL498 Current Interrupting: Yes, at full-rated current Temperature Rise: Max. 30°C (86°F) after 50 cycles of overload at 150% of rated current (DC) |
| Mechanical Specifications | Terminal Accommodation: #16 - #8 AWG Voltage Ratings: Permanently marked on device |

Table 3. Materials

| Catalog No. | NEMA L16-30 Plug & Connector |
|---------------------------|-------------------------------------------|
| NEMA Config | NEMA L16-30 |
| Outer Shell | Nylon |
| Interior Body | Nylon |
| Terminal Retainer | Polycarbonate |
| Blades | Brass |
| Line Contacts | Bronze, tin plated |
| Terminal Clamps | Steel, tin plated |
| Terminal Screws | #10-32 brass, zinc plated (neutral screw) |
| Ground Screw | #10-32 brass |
| Assembly Screws | Steel, nickel plated |
| Gasket/Dust Shield | EPDM |
| Cord Clamp Screws | Steel, nickel plated |
| Cord Clamp | Nylon |

Product Dimensions

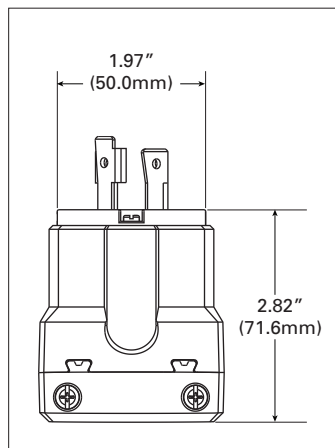


Figure 1. AHL1630P

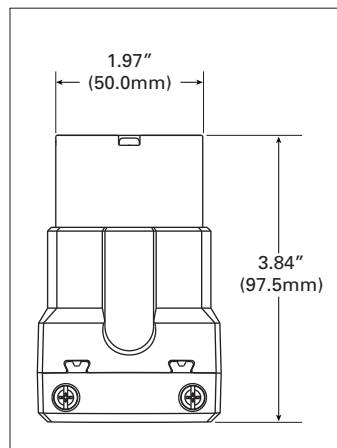


Figure 2. AHL1630C

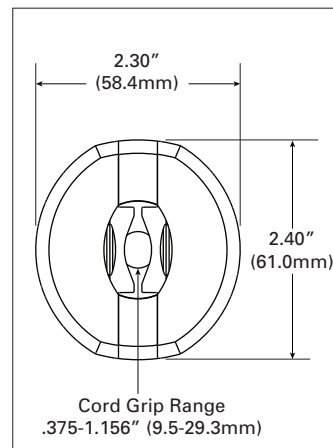


Figure 3. Base Angle

Compliances, specifications and availability are subject to change without notice.

| | |
|-----------------|--------------|
| Project Name: | Prepared By: |
| Project Number: | Date: |
| Catalog Number: | Type: |

Single Receptacle

NEMA L16-30 30A, 3Ø 480V/AC, 3P-4W

Table 4. Specifications

| Catalog No. | NEMA L16-30 Single Receptacle |
|-------------------------------------|-------------------------------------------------------------------------------------------------------------------------------------------------------------------------------------------------------------------------------------|
| NEMA Config | NEMA L16-30 |
| Wiring Type | Back & side wire |
| Environmental Specifications | Flammability: Meets UL94 requirements; V0 rated Temperature Rating: -40°C to 60°C (-40°F to 140°F) |
| Electrical Specifications | Dielectric Voltage: ≤300V: 2000V, 301-600V: 3000V per UL498 Current Interrupting: Yes, at full-rated current Temperature Rise: Max. 30°C (86°F) after 50 cycles of overload @ 150% of rated current (DC) |
| Mechanical Specifications | Terminal Accommodation: #14 - #8 AWG Voltage Ratings: Permanently marked on device |

Table 5. Materials

| Catalog No. | NEMA L16-30 Single Receptacle |
|-------------------------------|---------------------------------------------|
| NEMA Config | NEMA L16-30 |
| Face | Glass-filled nylon |
| Base | Glass-filled nylon |
| Mounting Strap | 0.050" thick steel, zinc plated |
| Line Contacts | 0.041" thick brass |
| Terminal Screws | #10-32 brass, nickel plated (neutral screw) |
| Ground Screw | #10-32 brass (green) |
| Terminal Clamps/Plates | 0.041" thick brass |
| Ground Contacts | 0.041" thick brass |
| Back Plate | 0.041" thick brass, nickel plated |
| Mounting Screws | Steel, zinc plated |

Product Dimensions

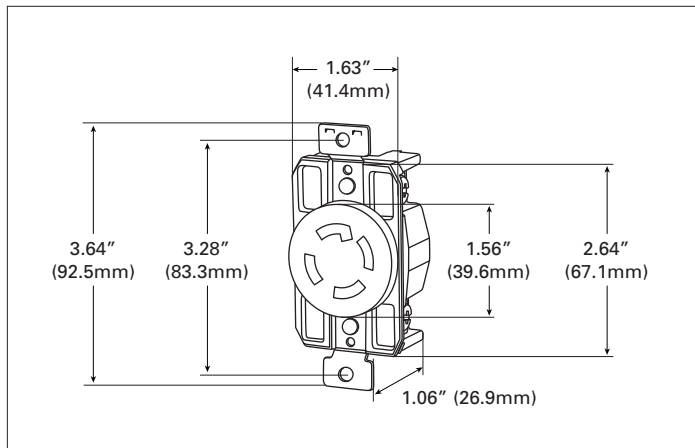


Figure 4. AHL1630R

Compliances, specifications and availability are subject to change without notice.

| | |
|-----------------|--------------|
| Project Name: | Prepared By: |
| Project Number: | Date: |
| Catalog Number: | Type: |

Flanged Outlet & Inlet

NEMA L16-30 30A, 3Ø 480V/AC, 3P-4W

Table 6. Specifications

| Catalog No. | NEMA L16-30 Flanged Outlet | NEMA L16-30 Flanged Inlet |
|-------------------------------------|-------------------------------------------------------------------------------------------------------------------------------------------------------------------------------------------------------------------------------------|-------------------------------------------------------------------------------------------------------------------------------------------------------------------------------------------------|
| NEMA Config | NEMA L16-30 | NEMA L16-30 |
| Wiring Type | Back wire | Back wire |
| Environmental Specifications | Flammability: Meets UL94 requirements; V2 rated Temperature Rating: -40°C to 60°C (-40°F to 140°F) | Flammability: Meets UL94 requirements; V2 rated Temperature Rating: -40°C to 60°C (-40°F to 140°F) |
| Electrical Specifications | Dielectric Voltage: ≤300V: 2000V, 301-600V: 3000V per UL498 Current Interrupting: Yes, at full-rated current Temperature Rise: Max. 30°C (86°F) after 50 cycles of overload @ 150% of rated current (DC) | Dielectric Voltage: ≤300V: 2000V, 301-600V: 3000V per UL498 Current Interrupting: Yes, at full-rated current Temperature Rise: Max. 30°C (86°F) at max rated current |
| Mechanical Specifications | Terminal Accommodation: #14 - #8 AWG Voltage Ratings: Permanently marked on device | Terminal Accommodation: #14 - #8 AWG Voltage Ratings: Permanently marked on device |

Table 7. Materials

| Catalog No. | NEMA L16-30 Flanged Outlet | NEMA L16-30 Flanged Inlet |
|--------------------------|---------------------------------------------|---------------------------------------------|
| NEMA Config | NEMA L16-30 | NEMA L16-30 |
| Outer Shell | Nylon | Nylon |
| Interior Body | Nylon | Nylon |
| Terminal Retainer | Polycarbonate | Polycarbonate |
| Blades | N/A | 0.062" thick brass |
| Line Contacts | 0.031" thick brass | N/A |
| Terminal Clamps | Steel | Steel |
| Terminal Screws | #10-32 brass, nickel plated (neutral screw) | #10-32 brass, nickel plated (neutral screw) |
| Ground Screw | #10-32 brass (green) | #10-32 brass (green) |
| Assembly Screws | Steel, zinc plated | Steel, zinc plated |
| Mounting Screws | Steel, zinc plated | Steel, zinc plated |

Product Dimensions

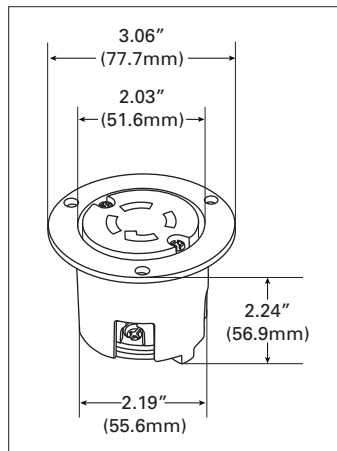


Figure 5. AHL1630FO

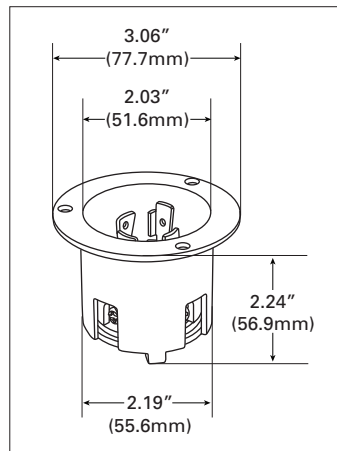


Figure 6. AHL1630FI

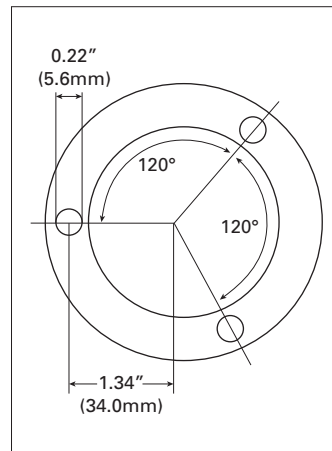












Figure 7. Top View


Compliances, specifications and availability are subject to change without notice.

| | |
|-----------------|--------------|
| Project Name: | Prepared By: |
| Project Number: | Date: |
| Catalog Number: | Type: |

Certifications & Compliances

| Catalog No. |  |  |  |  |  |
|-------------|-----------------------------------------------------------------------------------|-----------------------------------------------------------------------------------|-----------------------------------------------------------------------------------|-----------------------------------------------------------------------------------|-----------------------------------------------------------------------------------|
| AHL1630P | • | | | • | • |
| AHL1630C | • | | | • | • |
| AHL1630R | | • | • | • | • |
| AHL1630FO | | • | • | • | • |
| AHL1630FI | • | | | • | • |

KEY:  cULus  UL  CSA  NAFTA  ROHS

 Parts are manufactured and designed in accordance with article 4 of the European Union's RoHS2 directive 2011/65/EU

Compliances, specifications and availability are subject to change without notice.

Electrical Sector
203 Cooper Circle
Peachtree City, GA 30269
United States
Eaton.com
Arrowhart.com

Electrical Sector
Canada Operations
5925 McLaughlin Road
Mississauga, Ontario, L5R 1B8
Canada
EatonCanada.ca
Arrowhart.com

Electrical Sector
Mexico Operations
Carr. Tlalnepantla -
Cuautitlan Km 178 s/n
Col. Villa Jardin esq.
Cerrada 8 de Mayo
Cuautitlan, Mexico CP 54800
Mexico
Eaton.mx
Arrowhart.com

Eaton
1000 Eaton Boulevard
Cleveland, OH 44122
United States
Eaton.com

© 2014 Eaton
All Rights Reserved
Printed in USA
Publication No. 125-0102-13
January 2014

Eaton is a registered trademark.

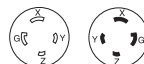
All other trademarks are property
of their respective owners.

Industrial grade L16-30 locking devices

| | |
|-----------------|--------------|
| Project Name: | Prepared By: |
| Project Number: | Date: |
| Catalog Number: | Type: |

Description

NEMA L16-30 30A, 3Ø 480V/AC, 3P-4W



L16-30R L16-30P



AHL1630P



AHL1630C



AHL1630R



AHL1630FO

Design features for plug & connector

- All nylon construction
- EPDM gasket seals cord hole from dust and debris
- Back wire terminal clamps for easy secure wiring
- Individual wiring compartments with tapered channel for easy insertion of wires
- Clear cover over wiring compartments allows easy inspection of wiring terminations
- Rating printed on side of device
- Largest-in-class grommet size allows for entire cord size range

Design features for receptacle

- Rugged glass filled nylon body
- Clearly marked rating, NEMA configuration and approval listings on receptacle face
- One piece brass contacts offer superior performance and minimum heat rise
- Back and side wiring terminal clamps for easy, secure wiring

Design features for flanged inlet & outlet

- All nylon construction
- Mounting holes interchangeable with competitive units
- Back wire terminal clamps for easy, secure wiring
- Individual wiring compartments with tapered channel for easy insertion of wires

Table 1. NEMA L16-30 Industrial Grade Locking Devices

| Catalog No. | Description | Amps | Volts | Color |
|-------------|-------------------------------|------|-------|---------------|
| □ AHL1630P | Ultra grip plug, 3-phase | 30 | 480 | Black & white |
| □ AHL1630C | Ultra grip connector, 3-phase | 30 | 480 | Black & white |
| □ AHL1630R | Single receptacle, 3-phase | 30 | 480 | Black |
| □ AHL1630FO | Flanged outlet, 3-phase | 30 | 480 | Black & white |
| □ AHL1630FI | Flanged inlet, 3-phase | 30 | 480 | Black & white |

Compliances, specifications and availability are subject to change without notice.



Powering Business Worldwide

| | |
|-----------------|--------------|
| Project Name: | Prepared By: |
| Project Number: | Date: |
| Catalog Number: | Type: |

Plug & Connector

NEMA L16-30 30A, 3Ø 480V/AC, 3P-4W

Table 2. Specifications

| Catalog No. | NEMA L16-30 Plug & Connector |
|-------------------------------------|----------------------------------------------------------------------------------------------------------------------------------------------------------------------------------------------------------------------------------------|
| NEMA Config | NEMA L16-30 |
| Wiring Type | Back wire |
| Environmental Specifications | Flammability: Meets UL94 requirements; V2 rated Temperature Rating: -40°C to 60°C (-40°F to 140°F) |
| Electrical Specifications | Dielectric Voltage: Twice the device rating + 1000V per UL498 Current Interrupting: Yes, at full-rated current Temperature Rise: Max. 30°C (86°F) after 50 cycles of overload at 150% of rated current (DC) |
| Mechanical Specifications | Terminal Accommodation: #16 - #8 AWG Voltage Ratings: Permanently marked on device |

Table 3. Materials

| Catalog No. | NEMA L16-30 Plug & Connector |
|---------------------------|-------------------------------------------|
| NEMA Config | NEMA L16-30 |
| Outer Shell | Nylon |
| Interior Body | Nylon |
| Terminal Retainer | Polycarbonate |
| Blades | Brass |
| Line Contacts | Bronze, tin plated |
| Terminal Clamps | Steel, tin plated |
| Terminal Screws | #10-32 brass, zinc plated (neutral screw) |
| Ground Screw | #10-32 brass |
| Assembly Screws | Steel, nickel plated |
| Gasket/Dust Shield | EPDM |
| Cord Clamp Screws | Steel, nickel plated |
| Cord Clamp | Nylon |

Product Dimensions

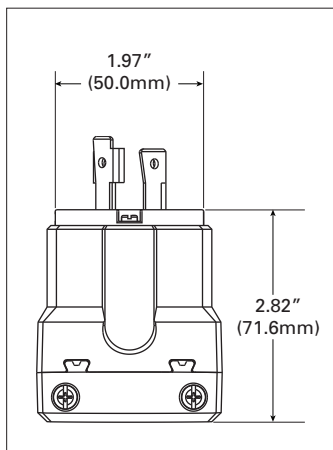


Figure 1. AHL1630P

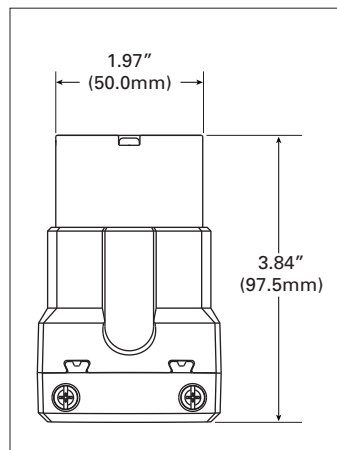


Figure 2. AHL1630C

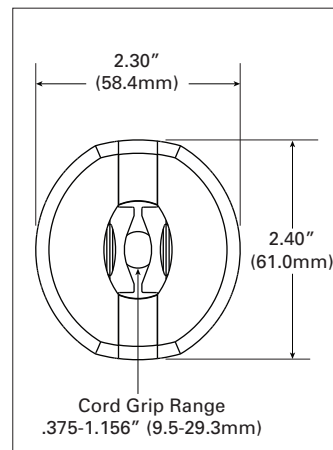


Figure 3. Base Angle

Compliances, specifications and availability are subject to change without notice.

| | |
|-----------------|--------------|
| Project Name: | Prepared By: |
| Project Number: | Date: |
| Catalog Number: | Type: |

Single Receptacle

NEMA L16-30 30A, 3Ø 480V/AC, 3P-4W

Table 4. Specifications

| Catalog No. | NEMA L16-30 Single Receptacle |
|-------------------------------------|-------------------------------------------------------------------------------------------------------------------------------------------------------------------------------------------------------------------------------------|
| NEMA Config | NEMA L16-30 |
| Wiring Type | Back & side wire |
| Environmental Specifications | Flammability: Meets UL94 requirements; V0 rated Temperature Rating: -40°C to 60°C (-40°F to 140°F) |
| Electrical Specifications | Dielectric Voltage: ≤300V: 2000V, 301-600V: 3000V per UL498 Current Interrupting: Yes, at full-rated current Temperature Rise: Max. 30°C (86°F) after 50 cycles of overload @ 150% of rated current (DC) |
| Mechanical Specifications | Terminal Accommodation: #14 - #8 AWG Voltage Ratings: Permanently marked on device |

Table 5. Materials

| Catalog No. | NEMA L16-30 Single Receptacle |
|-------------------------------|---------------------------------------------|
| NEMA Config | NEMA L16-30 |
| Face | Glass-filled nylon |
| Base | Glass-filled nylon |
| Mounting Strap | 0.050" thick steel, zinc plated |
| Line Contacts | 0.041" thick brass |
| Terminal Screws | #10-32 brass, nickel plated (neutral screw) |
| Ground Screw | #10-32 brass (green) |
| Terminal Clamps/Plates | 0.041" thick brass |
| Ground Contacts | 0.041" thick brass |
| Back Plate | 0.041" thick brass, nickel plated |
| Mounting Screws | Steel, zinc plated |

Product Dimensions

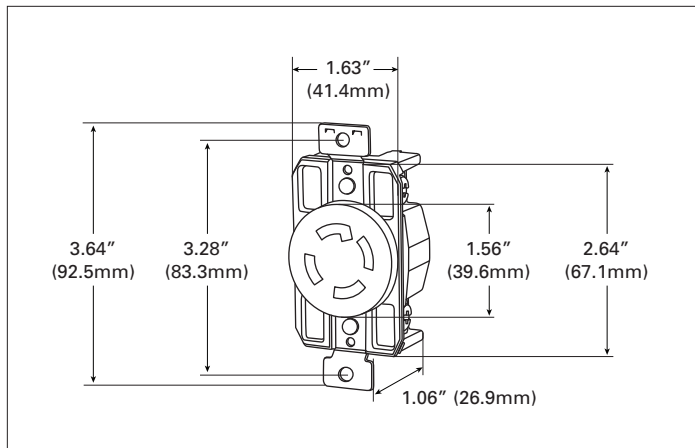


Figure 4. AHL1630R

Compliances, specifications and availability are subject to change without notice.

| | |
|-----------------|--------------|
| Project Name: | Prepared By: |
| Project Number: | Date: |
| Catalog Number: | Type: |

Flanged Outlet & Inlet

NEMA L16-30 30A, 3Ø 480V/AC, 3P-4W

Table 6. Specifications

| Catalog No. | NEMA L16-30 Flanged Outlet | NEMA L16-30 Flanged Inlet |
|-------------------------------------|-------------------------------------------------------------------------------------------------------------------------------------------------------------------------------------------------------------------------------------|-------------------------------------------------------------------------------------------------------------------------------------------------------------------------------------------------|
| NEMA Config | NEMA L16-30 | NEMA L16-30 |
| Wiring Type | Back wire | Back wire |
| Environmental Specifications | Flammability: Meets UL94 requirements; V2 rated Temperature Rating: -40°C to 60°C (-40°F to 140°F) | Flammability: Meets UL94 requirements; V2 rated Temperature Rating: -40°C to 60°C (-40°F to 140°F) |
| Electrical Specifications | Dielectric Voltage: ≤300V: 2000V, 301-600V: 3000V per UL498 Current Interrupting: Yes, at full-rated current Temperature Rise: Max. 30°C (86°F) after 50 cycles of overload @ 150% of rated current (DC) | Dielectric Voltage: ≤300V: 2000V, 301-600V: 3000V per UL498 Current Interrupting: Yes, at full-rated current Temperature Rise: Max. 30°C (86°F) at max rated current |
| Mechanical Specifications | Terminal Accommodation: #14 - #8 AWG Voltage Ratings: Permanently marked on device | Terminal Accommodation: #14 - #8 AWG Voltage Ratings: Permanently marked on device |

Table 7. Materials

| Catalog No. | NEMA L16-30 Flanged Outlet | NEMA L16-30 Flanged Inlet |
|--------------------------|---------------------------------------------|---------------------------------------------|
| NEMA Config | NEMA L16-30 | NEMA L16-30 |
| Outer Shell | Nylon | Nylon |
| Interior Body | Nylon | Nylon |
| Terminal Retainer | Polycarbonate | Polycarbonate |
| Blades | N/A | 0.062" thick brass |
| Line Contacts | 0.031" thick brass | N/A |
| Terminal Clamps | Steel | Steel |
| Terminal Screws | #10-32 brass, nickel plated (neutral screw) | #10-32 brass, nickel plated (neutral screw) |
| Ground Screw | #10-32 brass (green) | #10-32 brass (green) |
| Assembly Screws | Steel, zinc plated | Steel, zinc plated |
| Mounting Screws | Steel, zinc plated | Steel, zinc plated |

Product Dimensions

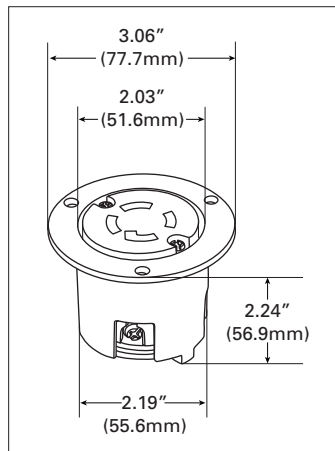


Figure 5. AHL1630FO

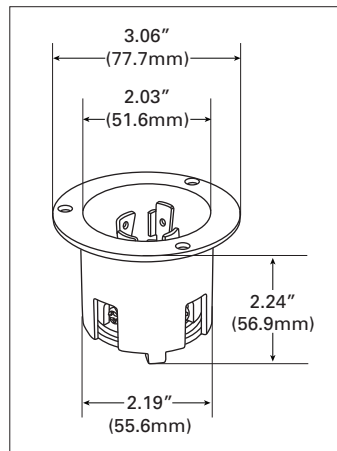


Figure 6. AHL1630FI

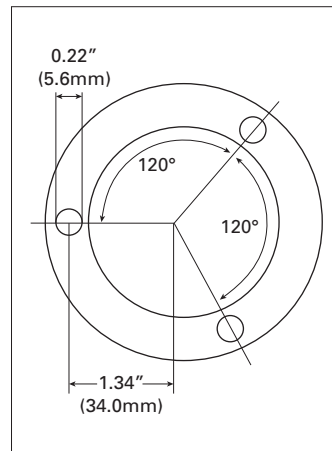












Figure 7. Top View


Compliances, specifications and availability are subject to change without notice.

| | |
|-----------------|--------------|
| Project Name: | Prepared By: |
| Project Number: | Date: |
| Catalog Number: | Type: |

Certifications & Compliances

| Catalog No. |  |  |  |  |  |
|-------------|-----------------------------------------------------------------------------------|-----------------------------------------------------------------------------------|-----------------------------------------------------------------------------------|-----------------------------------------------------------------------------------|-----------------------------------------------------------------------------------|
| AHL1630P | • | | | • | • |
| AHL1630C | • | | | • | • |
| AHL1630R | | • | • | • | • |
| AHL1630FO | | • | • | • | • |
| AHL1630FI | • | | | • | • |

KEY:  cULus  UL  CSA  NAFTA  ROHS

 Parts are manufactured and designed in accordance with article 4 of the European Union's RoHS2 directive 2011/65/EU

Compliances, specifications and availability are subject to change without notice.

Electrical Sector
203 Cooper Circle
Peachtree City, GA 30269
United States
Eaton.com
Arrowhart.com

Electrical Sector
Canada Operations
5925 McLaughlin Road
Mississauga, Ontario, L5R 1B8
Canada
EatonCanada.ca
Arrowhart.com

Electrical Sector
Mexico Operations
Carr. Tlalnepantla -
Cuautitlan Km 178 s/n
Col. Villa Jardin esq.
Cerrada 8 de Mayo
Cuautitlan, Mexico CP 54800
Mexico
Eaton.mx
Arrowhart.com

Eaton
1000 Eaton Boulevard
Cleveland, OH 44122
United States
Eaton.com

© 2014 Eaton
All Rights Reserved
Printed in USA
Publication No. 125-0102-13
January 2014

Eaton is a registered trademark.

All other trademarks are property
of their respective owners.