



Catalog Number: A-HS200
Item Description: HOLE SEALS
UPC Code: 784572187870

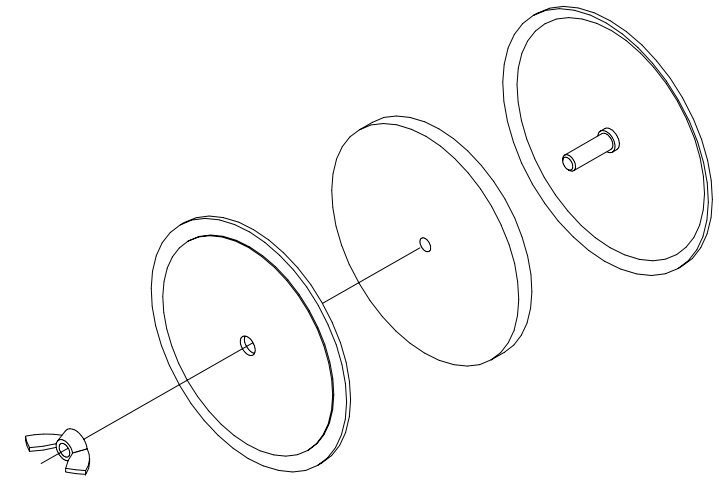
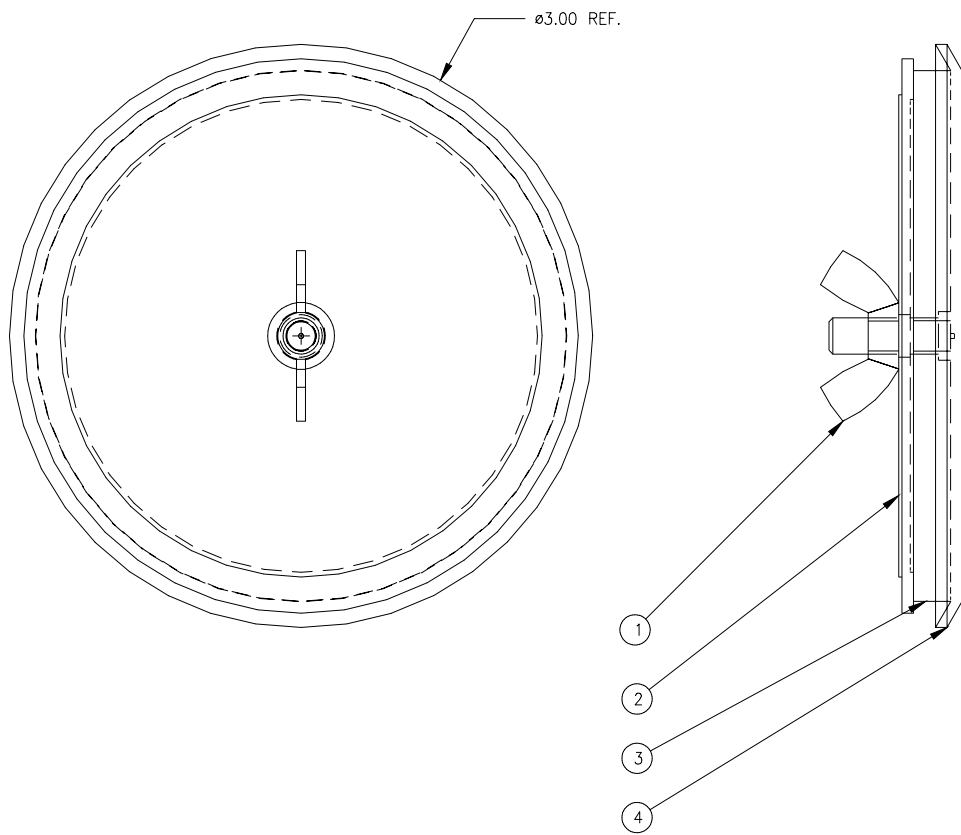
Brand Name: Milbank
Type: Hole Seal
Application: Enclosure Accessory
Material: Steel
Color: ANSI 61 Gray
Insulation: None
Consist Of: Hole Seal and Rubber Gasket
Knockouts: False



Utility requirements may vary. Always consult the serving utility for their requirements prior to ordering or installing this equipment. This product must always be installed by a licensed electrician. Installation of this equipment may require local electrical inspector approval.

CATALOG NO.	MATERIAL
A-HS200	16 GA CRS
A-HS200XS	16 GA STAINLESS

BILL OF MATERIAL		
NO.	QTY.	DESCRIPTION
1	1	10-32 WING NUT
2	1	GALVANIZED BACK PLATE
3	1	GASKET
4	1	CAP W/ 10-32 WELD STUD



ISOMETRIC VIEW

NOTE:
HOLE SEAL USED FOR
2 INCH CONDUIT.
(2.50 MAX. HOLE DIA)

REV.	DATE	DESCRIPTION	BY
B	5/18/98	REDRAWN TO 3D GEOMETRY:	DW
MATERIAL		16 GA CRS/ 16 GA STAINLESS	
FINISH			
CATALOG NUMBER		SEE CHART	
TITLE		2" HOLE SEAL	
THIRD ANGLE		CUSTOMER	MILBANK STANDARD
PROJECTION		DRAWING NUMBER	705775-11
DRAWN:	DW	SCALE:	MILBANK MFG. CO. GENERAL OFFICES KANSAS CITY, MO.
CHKD:		NTS	
APPR:		DATE:	
		5/13/98	

TOLERANCES:	
UNLESS NOTED OTHERWISE:	
X.X	± .1
X.XX	± .03
X.XXX	± .015
X	± 2



Catalog Number: A-HS200
Item Description: HOLE SEALS
UPC Code: 784572187870

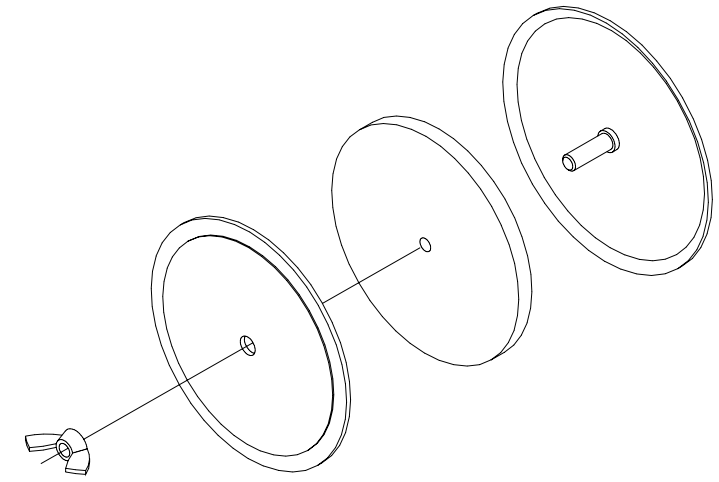
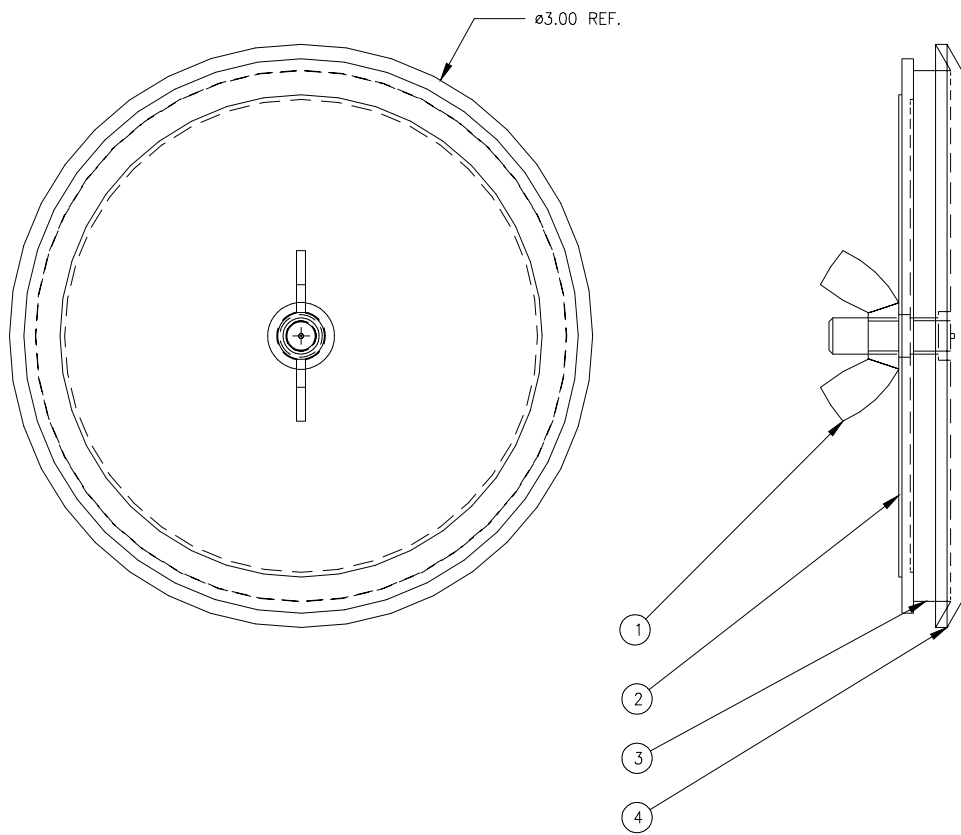
Brand Name: Milbank
Type: Hole Seal
Application: Enclosure Accessory
Material: Steel
Color: ANSI 61 Gray
Insulation: None
Consist Of: Hole Seal and Rubber Gasket
Knockouts: False



Utility requirements may vary. Always consult the serving utility for their requirements prior to ordering or installing this equipment. This product must always be installed by a licensed electrician. Installation of this equipment may require local electrical inspector approval.

CATALOG NO.	MATERIAL
A-HS200	16 GA CRS
A-HS200XS	16 GA STAINLESS

BILL OF MATERIAL		
NO.	QTY.	DESCRIPTION
1	1	10-32 WING NUT
2	1	GALVANIZED BACK PLATE
3	1	GASKET
4	1	CAP W/ 10-32 WELD STUD



ISOMETRIC VIEW

NOTE:
HOLE SEAL USED FOR
2 INCH CONDUIT.
(2.50 MAX. HOLE DIA)

REV.	DATE	DESCRIPTION	BY
B	5/18/98	REDRAWN TO 3D GEOMETRY:	DW
MATERIAL		16 GA CRS/ 16 GA STAINLESS	
FINISH			
CATALOG NUMBER		SEE CHART	
TITLE		2" HOLE SEAL	
THIRD ANGLE		CUSTOMER	MILBANK STANDARD
PROJECTION		DRAWING NUMBER	705775-11
DRAWN:	DW	SCALE:	MILBANK MFG. CO. GENERAL OFFICES KANSAS CITY, MO.
CHKD:		NTS	
APPR:		DATE:	
		5/13/98	

TOLERANCES:	
UNLESS NOTED OTHERWISE:	
X.X	± .1
X.XX	± .03
X.XXX	± .015
X	± 2