

Industrial Heavy Duty Non-hazardous Areas

Applications:

Arktite circuit breaking plugs and receptacles are used:

- To supply power to portable electrically operated devices such as motor-generator sets, compressors, heating and cooling units, welders, conveyors, lighting systems and similar equipment
- Where temporary power is needed, such as at trailers, building units, heavy machinery and similar equipment
- Wherever electrical loads must be quickly disconnected from power source
- In a typical installation, where a large machine utilizes a number of electrical motor drives and for ease of adjustment, removal, maintenance and replacement, each motor is connected by portable cord and *Arktite* receptacles rather than permanently wired
- In areas where dust, dirt, moisture and corrosion are a problem
- Indoors and outdoors in non-hazardous areas of chemical plants, process industry facilities, meat packing plants, manufacturing plants and similar industrial locations

Features:

- Circuit breaking: plugs through 100 ampere rating may be disconnected under load; 150-400 ampere units are for service disconnect use only.
- Receptacles accept only plugs of the same amperage rating, style and number of poles, making it impossible to mismatch, and provides for positive polarization.
- Extra wide electrical spacing allows for maximum safety.
- Insulator materials are the result of intensive testing. Selection has been made based on highest dielectric strength, maximum mechanical and impact resistance, lowest moisture absorption and highest arc tracking resistance.
- A variety of installations is possible due to the availability of several types of back boxes.
- Designed to withstand rough usage and the effects of adverse environments.
- Reversible interiors, 30, 60 and 100 ampere (except 30 and 60 ampere, 5-pole) *Arktite* plug and receptacle interiors are interchangeable using a screwdriver. This makes it possible to feed a normally de-energized receptacle from an energized plug with usual *Arktite* safety; no energized contacts are exposed.

Certifications and Compliances:

- UL Standards: 1203*; 1682, 1686
- CSA Standard: C22.2 No. 182.1
- CE (LVD) 2006/95/EEC**



1P

* APJ and NPJ plugs only

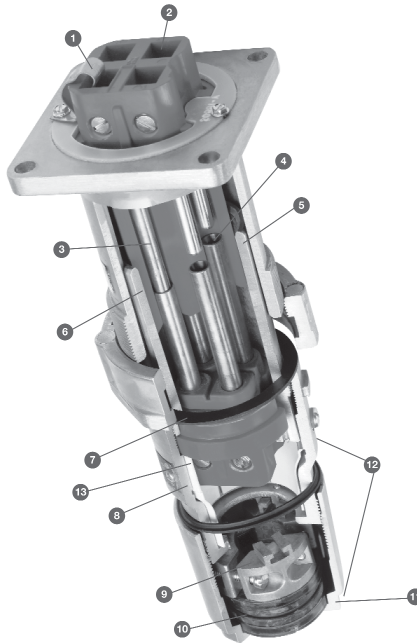
** Excludes 200A and 400A APR Connectors

Arktite® Heavy Duty Circuit Breaking Plugs and Receptacles

NEMA 4 Watertight

1P

Industrial Heavy Duty Non-hazardous Areas



Split Pin Contact Design:

- Provides nearly 360° of contact at every insertion, ensuring protection against heat rise and eliminating arcing on critical surfaces
- Continuous contact over length and circumference of mated pins provides superior safety and long-term performance
- Self-wiping at every insertion to prevent environmental contamination build-up



The additional features below are called out in the illustration on this page

- 1 The ground contact is bonded to the receptacle housing (Style 2)
- 2 Unimpeded, easy-access phase and ground terminals make wire termination quick and easy
- 3 Grounding contacts that make-first and break-last in the unlikely event of keyway failure
- 4 An arc formed when the plug is being removed is instantly snuffed in the deep confined insulated arcing chamber
- 5 A detent spring forms a parallel grounding path through the metallic plug sleeve and receptacle housing and is the first contact to make and the last to break
- 6 The plug sleeve is keyed to the receptacle to prevent mispolarization
- 7 The gasketing system provides unsurpassed watertight integrity (NEMA 4)
- 8 All aluminum Uni-Shell™ construction provides superior strength in abusive environments
- 9 The Tri-Lock™ cable grip has 3-piece design that equally distributes gripping power around perimeter of cable. Cord jacket does not get pinched, eliminating potential for damage to both internal conductors and external cable jacket. Cable grip is located inside plug housing, eliminating corrosion of vital hardware and making plug maintenance easy.
- 10 The unique Sure-Seal™ cable gland has two gasket sizes which fit entire range of cable diameters, reducing risk of improper assembly. The gasket ratchets into the Tri-lock™ cable grip to prevent plug from turning or loosening in high vibration areas.
- 11 Wrenching surfaces make Arktite plugs quick and easy to assemble
- 12 Smooth and contoured design of plug housing eliminates occurrence of cable grip snagging or breaking off. Tri-Lock™ screws are captive so cable grip cannot come apart during assembly. Prevents critical screws from getting lost during installation.
- 13 Plastic sleeve between insulator body and housing minimizes possibility of electrical shock in event of ground failure. Increases creepage and clearance protection.

Arktite® Advantage Features:

Internal Plug Safety Insulator

- Plastic barrier between insulator body and metal housing minimizes risk of energizing handle body due to stray conductor strands
- Increases creepage and clearance protection

CE Marked

- Offers a borderless solution with no additional inspection or documentation required for approval

Lockout Plug

- Allows users to comply with OSHA lockout/tagout requirements
- Ensures plug cannot be inserted into receptacle when maintenance is being performed downstream of power supply

Tri-Lock Cable Grip

- Three-piece design equally distributes grip around perimeter of cable
- Cable jacket does not get pinched, eliminating potential for damage to internal conductors
- Captive screws allow maximum extension of cord grip without risk of loose components

Sure-Seal Cable Gland

- Two gasket sizes fit entire cable range, reducing risk of improper assembly
- Gasket ratches into Tri-Lock cable grip to provide environmental protection in high vibration areas



Plug Housing

- Smooth design eliminates occurrence of cable grip snagging or breaking off
- Houses Tri-Lock cable grip to eliminate corrosion of vital hardware and increase ease of maintenance



Combination Drive Stainless Steel Hardware

- Increases ease of installation by allowing for more than one option for installation tools
- Stainless steel external hardware eliminates corrosion on critical components and extends product life



Insulator Assemblies

- Unimpeded, easy access phase and ground terminals make wire termination quick and easy
- Lug screws secured with tape to prevent them from vibrating loose and falling out during shipping



Combination Slot and Hex Mechanical Lugs*

- Increases ease of installation by allowing for more than one option for installation tools
- Hex head allows for easy achievement of specified torque value



Receptacle Cover

- Automatic weatherproof seal every time plug is disengaged
- Field replaceable design allows for new cover to be threaded on quickly and easily



*60, 100, and 150A offering.

1P Arktite® Heavy Duty Circuit Breaking Plugs and Receptacles

NEMA 4 Watertight

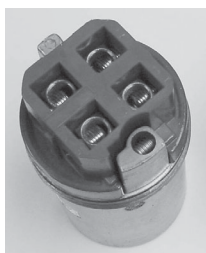
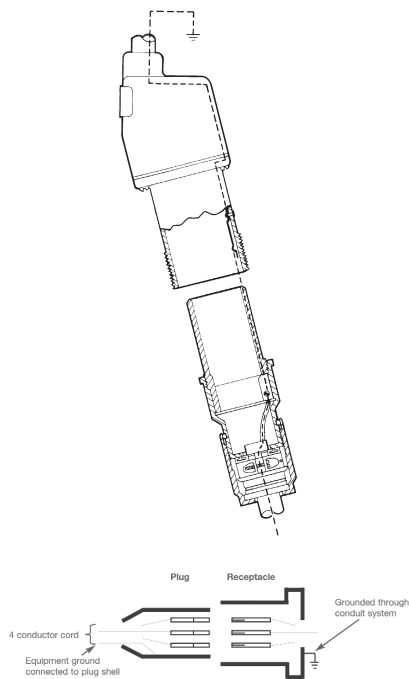
**Industrial Heavy Duty
Non-hazardous Areas**

Grounding: Style 1 vs. Style 2

Eaton's Crouse-Hinds Arktite devices utilize two methods, or styles, for completing the grounding circuit in plugs and receptacles. NEC reference 250.138 (A) & (B).

Style 1 – Metallic

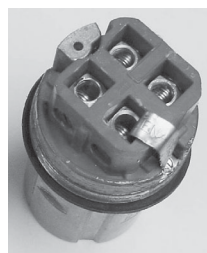
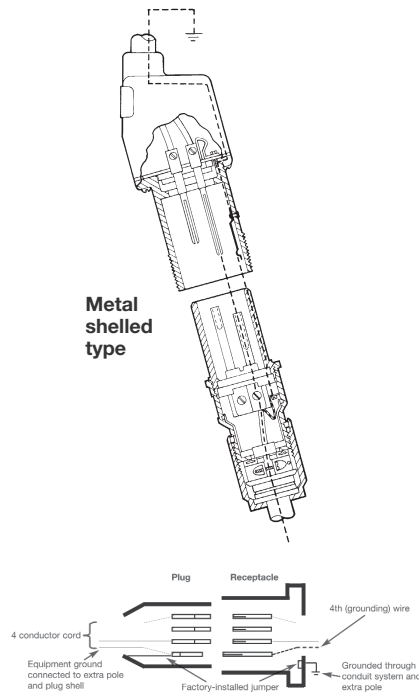
A Style 1 plug is one in which the grounding conductor in the flexible cable is bonded to the plug sleeve by a pressure connector. A Style 1 receptacle is one which is grounded by virtue of the fact that it is an integral part of a grounded conduit system. On insertion, the plug sleeve makes contact with detent springs of the grounded receptacle housing before line and load poles engage, and on withdrawal, remains in contact until after line and load poles disengage. Therefore, exposed metal parts of the portable equipment or plug are suitably grounded.



Style 1
Ground conductor attaches to shell.

Style 2 – Metallic

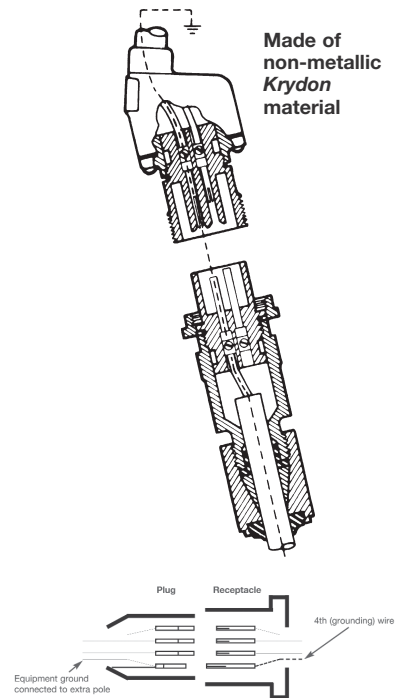
A Style 2 metallic housing plug is one in which the grounding conductor in the flexible cable is bonded to the extra (grounding) pole and metal plug sleeve by a pressure connector. A Style 2 metallic housing receptacle is one in which the extra (grounding) pole is electrically connected to the equipment grounding conductor and the metal receptacle housing which itself is grounded by virtue of the fact that it is an integral part of a grounded conduit system. In Style 2, non-metallic housing plugs and receptacles, the extra pole is used for grounding since the housings are non-conductive.



Style 2
Ground conductor attaches to contact, which is bonded to shell.

Style 2 – Non-metallic

In a Style 2 receptacle, the grounding connection is made before line and load poles engage, and is broken after the line and load poles disengage. Furthermore, upon insertion, the plug sleeve of metal shelled units makes contact with detent springs of the grounded receptacle housing before line and load poles engage, and on withdrawal, remains in contact until after line and load poles disengage. Therefore, exposed metal parts of the portable equipment or plug are suitably grounded.



1P

Arktite® Heavy Duty Circuit Breaking Plugs and Receptacles

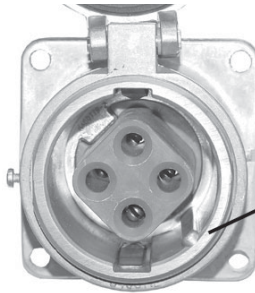
NEMA 4 Watertight

1P

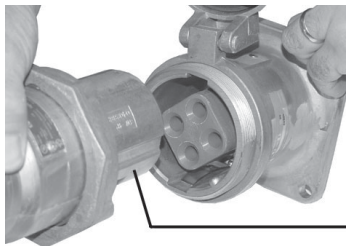
Industrial Heavy Duty Non-hazardous Areas

Standard Materials:

- Metallic receptacle housings, plug and cord connector bodies – high impact strength copper-free aluminum
- Non-metallic receptacles, plugs and cord connectors – *Krydon*® fiberglass-reinforced polyester material
- Back boxes: 20, 30, 60, 100, 150 and 200 ampere – cast aluminum; 400 ampere – *Feraloy*® iron alloy
- Insulation (metallic products): (2-, 3-, and 4-pole) 30, 60, 100, 200, 400 ampere – fiberglass-reinforced polyester; 20, 30 ampere (5-pole) – melamine
- Contacts: pressure, solder, binding screw – brass; crimp/solder 20, 30, 60, 100 ampere – leaded red brass; crimp/solder 150, 200, 400 ampere – tellurium copper



Arktite receptacles have a cast raised rib located inside the receptacle sleeve. The location of the rib is in a specific relationship to the receptacle insulator that houses the contacts.



The mating plug has a cast groove located on the outside of the plug sleeve. This groove lines up with the raised rib.

Standard Finishes:

- *Feraloy* – electrogalvanized and aluminum acrylic paint
- Aluminum – natural
- *Krydon* fiberglass-reinforced polyester material – gray
- Fiberglass-reinforced polyester insulation – (red)
- Melamine – natural (brown)
- Brass – natural
- Leaded red brass – electro-tin-plate

Accessories:

- Accessories include a variety of angle adapters, panel adapters and back boxes for *Arktite* receptacles, see pages 1332–1335.
- Included throughout 1P are wire mesh cable grips and protective caps for *Arktite* plugs.

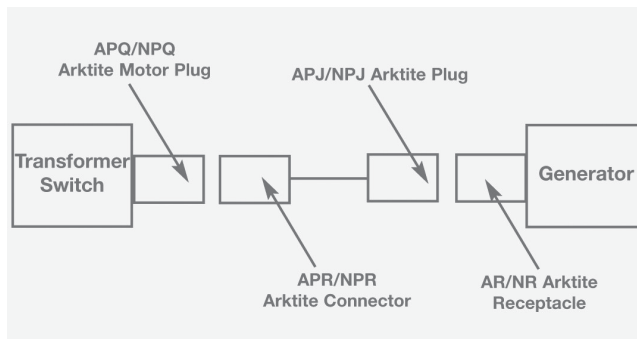
Options:

The following special options are available from factory by adding the suffix to the Cat. #:

- | Description | Suffix |
|---|--------|
| • Reversed contacts. Receptacle assembled with plug interior (exposed contacts), plug assembled with receptacle interior (recessed contacts). For applications where plug is energized to feed normally de-energized receptacle. Available on 30 through 400 ampere units... S22 | |
| • Special polarity. For use where two or more receptacles of the same ampere rating, style and number of poles are to be installed in the same area for use on different voltages and/or frequencies. Prevents insertion of a plug in a receptacle with different electrical rating. | |

Available on 20 through 400 ampere units as follows:

- Receptacle interior rotated 22½° to right and plug changed to match (see photo to right).....**S4**
- Corro-free™ epoxy powder finish for added corrosion resistance.....**S752**



Typical Installation

§150A, 200A and 400A rated units are for service disconnect use only.

1P Arktime® Heavy Duty Circuit Breaking Plugs and Receptacles

NEMA 4 Watertight

Industrial Heavy Duty Non-hazardous Areas

Arktime Horsepower Ratings Locked-Rotor Interrupting

| Ampere Rating Plug and Receptacle | Motor Horsepower† | | | |
|---------------------------------------|-------------------|--------------|--------------|--------------|
| | 120 Volts | 240 Volts | 480 Volts | 600 Volts |
| Single-phase Electrical System | | | | |
| 30 | 2 | 3 | 7.5 | 10 |
| 60 | 5 | 10 | 25 | 20 |
| 100 | 10 | 20 | | |
| 200 | 15 | 40 | | |
| Three-phase Electrical System | | | | |
| 30 | 3 | 5 | 10 | 10 |
| 60 | 10 | 20 | 40 | 50 |
| 100 | 15 | 30 | 40 | 25 |
| 200 | 30 | 60 | 25 | 15 |

Maximum Horsepower for Plug and Receptacle Combinations by Input Voltage*

Following values are typical horsepower ratings based on NEC Article 430 tables.

HP Ratings are based on the largest conductor size for each plug and receptacle combination per the Wire Size table below.

| Ampere Rating Plug and Receptacle | Motor Horsepower‡ | | |
|--------------------------------------|-------------------|--------------|--------------|
| | 240 Volts | 480 Volts | 600 Volts |
| 30 | 15 | 30 | 40 |
| 60 | 20 | 40 | 50 |
| 100 | 30 | 60 | 75 |
| 150 | 40 | 75 | 100 |
| 200 | 60 | 125 | 150 |

Wire Sizes:

The table below lists the diameter of the wire recess in *Arktime* plug and receptacle contacts so that maximum size of bare conductor can be figured. Range of wire sizes shown in table is intended only as a guide. Depending on type of wire used (building wire, flexible or extra flexible cable) and its construction (number and size of strands), bare copper diameters vary widely.

Diameter of Wire Recess in Plug and Receptacle Contacts

| Ampere Rating | Contact Type | Diameter of Recess | Wire Size‡ | |
|-----------------------|---------------|--------------------|-------------|------------|
| | | | Building | Extra Flex |
| 20 | Binding Screw | N/A | #14-#12 | #14-#12 |
| 30 (2, 3, & 4-pole) | Pressure | .281 | #10-#6 | #10-#8 |
| 30 (2, 3, & 4-pole) | Crimp/Solder | .180 | #10-#8** | #10-#8 |
| 30 (5-pole) | Solder | .188 | #12-#6 | #12-#8 |
| 60 (2, 3, 4 & 5-pole) | Pressure | .312 | #6-#4 | #8-#4 |
| 60 (3 & 4-pole) | Crimp/Solder | .277 | #6-#4** | #8-#4 |
| 100 (2, 3 & 4-pole) | Pressure | .390 | #4-#1 | #4-#2 |
| 100 (3 & 4-pole) | Crimp/Solder | .390 | #2-#1** | #2-#2 |
| 150 (4-pole) | Pressure | .390 | #2-2/0 | #2-1/0 |
| 200 (3 & 4-pole) | Pressure | .687 | 2/0-4/0 | 2/0-3/0 |
| 200 (Std. 3 & 4-pole) | Crimp/Solder | .560 | #1-4/0 | #1-3/0 |
| 200 (Lg. 3 & 4-pole) | Crimp/Solder | .750 | 4/0-250MCM | 3/0-250MCM |
| 400 (Std. 3 & 4-pole) | Crimp/Solder | .840 | 250-500MCM | 250-400MCM |
| 400 (Lg. 3 & 4-pole) | Crimp/Solder | 1.25 | 500-1000MCM | 400-750MCM |

‡150A, 200A and 400A rated units are for service disconnect use only.

† Horsepower ratings are based on Eaton's Crouse-Hinds testing in which locked-rotor currents were interrupted by withdrawing the plug from the receptacle. It is highly recommended, however, that such use be limited to emergency conditions only, and that a horsepower rated switch be used for motor disconnect.

* This guide is for reference only. Consult your local electrical codes before installation.

‡ Eaton's Crouse-Hinds does not recommend our plug and receptacle be used for disconnect under load.

**Smaller sizes may be used with well reducers - information available upon request.

‡Do not use wire size smaller than minimum size recommended.

1P

1P Arktite® Heavy Duty Circuit Breaking Receptacle Assemblies and Housings

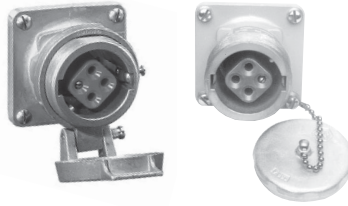
NEMA 4 Watertight

100 A, 600 VAC/250 VDC, 50† – 400 hertz
150 A, 600 VAC/250 VDC, 50† – 400 hertz

Ordering Information:



Receptacle Assembly



Receptacle

Receptacle Housings Only



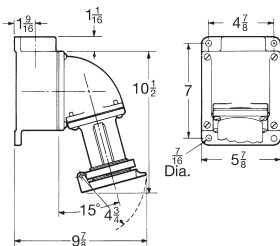
Mating Plug



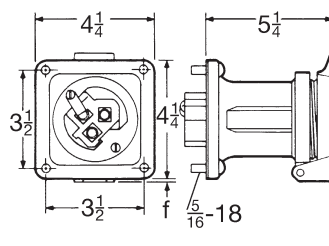
Mating Connector

| Description | Hub Size (In.) | Spring Door Cat. # | Receptacle Housings Only | | Cable Dia. | Cat. # | Cat. # |
|--------------------------|----------------|--------------------|--------------------------|--------------------------|---------------|----------|----------|
| | | | Spring Door Cat. # | Threaded Cap Only Cat. # | | | |
| 100A - Style 1 | | | | | | | |
| 2-wire, } 2-pole } | 1¼ | AREA10214 | AR1021 | AR1027 | 0.875 to 1.70 | APJ10277 | APR10257 |
| | 1½ | AREA10215 | | | | | |
| 3-wire, } 3-pole } | 1¼ | AREA10314 | AR1031 | AR1037 | 0.875 to 1.70 | APJ10377 | APR10357 |
| | 1½ | AREA10315 | | | | | |
| 4-wire, } 4-pole } | 1½ | AREA10415 | AR1041 | AR1047 | 0.875 to 1.70 | APJ10477 | APR10457 |
| | 2 | AREA10416 | | | | | |
| 100 A - Style 2 | | | | | | | |
| 2-wire, } 3-pole } | 1¼ | AREA10324 | AR1032 | AR1038 | 0.875 to 1.70 | APJ10387 | APR10367 |
| | 1½ | AREA10325 | | | | | |
| 3-wire, } 4-pole } | 1½ | AREA10425 | AR1042 | AR1048 | 0.875 to 1.70 | APJ10487 | APR10467 |
| | 2 | AREA10426 | | | | | |
| 150 A - Style 2 * | | | | | | | |
| 3-wire, } 4-pole } | | | AR1542 | AR1548 | 0.875 to 1.70 | APJ15487 | |

Dimensions (In Inches):

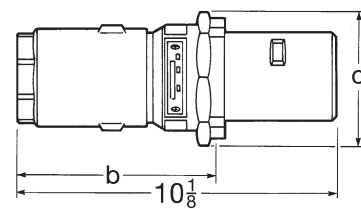


ARE Assembly



AR Receptacle - Spring Door

| No. Poles | f |
|-----------|-------|
| 2 or 3 | 9/32 |
| 4 | 13/32 |

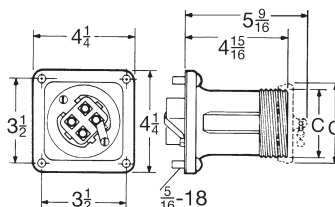


APJ Plug

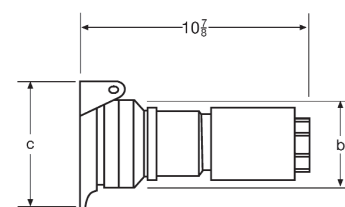
| No. Poles | b | c |
|-----------|--------|-------|
| 3 | 6 9/16 | 3 3/4 |
| 4 | 6 5/8 | 4 1/8 |

| No. Poles | Housing | c |
|-----------|----------|---------|
| 2 or 3 | open | 3 3/16 |
| 4 | open | 3 7/16 |
| 2 or 3 | with cap | 3 11/16 |
| 4 | with cap | 3 7/8 |

| No. Poles | b | c |
|-----------|-------|--------|
| 3 | 3 3/8 | 3 3/16 |
| 4 | 3 1/2 | 3 7/16 |



AR Receptacle - Open and With Cap



APR Connector

† For use on systems less than 60 hertz the receptacles, plugs and connectors are for disconnect use only.
* For 150A - Consult factory for additional options and configurations. Consult factory for certifications information.

Arktite® Heavy Duty Circuit Breaking Receptacle Assemblies and Housings

NEMA 4 Watertight

1P

100 A, 600 VAC/250 VDC, 50† – 400 hertz
 150 A, 600 VAC/250 VDC, 50† – 400 hertz

Plug Closure Caps:

Applications:

CPK caps for Arktite plugs are used:

- Where portable equipment is on a standby basis and plugs are not in use
- To effectively protect insulation and contacts from excessive moisture, dirt, dust and corrosion
- With 30, 60, 100, 150 and 200 ampere plugs with fastening ring and standard 200 ampere plugs for the clamp door housing



Ordering Information

| Config. | Cat. # |
|---------|--------|
| 2P & 3P | CPK62 |
| 4P | CPK64 |

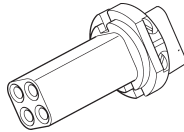
Standard Materials:

- Copper-free aluminum

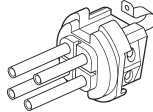
Standard Finishes:

- Natural

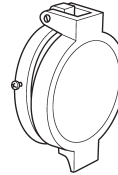
Replacement Parts:



Receptacle Interior



Plug Interior



Spring Door



Screw Cap

| Config. | Receptacle Interior | Plug Interior | Spring Door | Screw Cap |
|---------|---------------------|---------------|-------------|-----------|
| 2W 2P | ATP315 | ATP310 | | |
| 2W 3P | ATP318 | ATP313 | QE53 | QE62 |
| 3W 3P | ATP316 | ATP311 | | |
| 3W 4P | ATP319 | ATP314 | QE54 | QE64 |
| 4W 4P | ATP317 | ATP312 | | |
| 4W 5P | N/A | N/A | N/A | N/A |
| 5W 5P | N/A | N/A | N/A | N/A |

Replacement Pin & Sleeve Contacts:

| Description | Recep | Plug |
|---|-------------|-------------|
| Available as a kit only. 5 phase contacts & 1 ground contact included. | AR100CONKIT | AP100CONKIT |

† For use on systems less than 60 hertz the receptacles, plugs and connectors are for disconnect use only.

Industrial Heavy Duty Non-hazardous Areas

Applications:

Arktite circuit breaking plugs and receptacles are used:

- To supply power to portable electrically operated devices such as motor-generator sets, compressors, heating and cooling units, welders, conveyors, lighting systems and similar equipment
- Where temporary power is needed, such as at trailers, building units, heavy machinery and similar equipment
- Wherever electrical loads must be quickly disconnected from power source
- In a typical installation, where a large machine utilizes a number of electrical motor drives and for ease of adjustment, removal, maintenance and replacement, each motor is connected by portable cord and Arktite receptacles rather than permanently wired
- In areas where dust, dirt, moisture and corrosion are a problem
- Indoors and outdoors in non-hazardous areas of chemical plants, process industry facilities, meat packing plants, manufacturing plants and similar industrial locations

Features:

- Circuit breaking: plugs through 100 ampere rating may be disconnected under load; 150-400 ampere units are for service disconnect use only.
- Receptacles accept only plugs of the same amperage rating, style and number of poles, making it impossible to mismatch, and provides for positive polarization.
- Extra wide electrical spacing allows for maximum safety.
- Insulator materials are the result of intensive testing. Selection has been made based on highest dielectric strength, maximum mechanical and impact resistance, lowest moisture absorption and highest arc tracking resistance.
- A variety of installations is possible due to the availability of several types of back boxes.
- Designed to withstand rough usage and the effects of adverse environments.
- Reversible interiors, 30, 60 and 100 ampere (except 30 and 60 ampere, 5-pole) Arktite plug and receptacle interiors are interchangeable using a screwdriver. This makes it possible to feed a normally de-energized receptacle from an energized plug with usual Arktite safety; no energized contacts are exposed.

Certifications and Compliances:

- UL Standards: 1203*; 1682, 1686
- CSA Standard: C22.2 No. 182.1
- CE (LVD) 2006/95/EEC**



1P

* APJ and NPJ plugs only

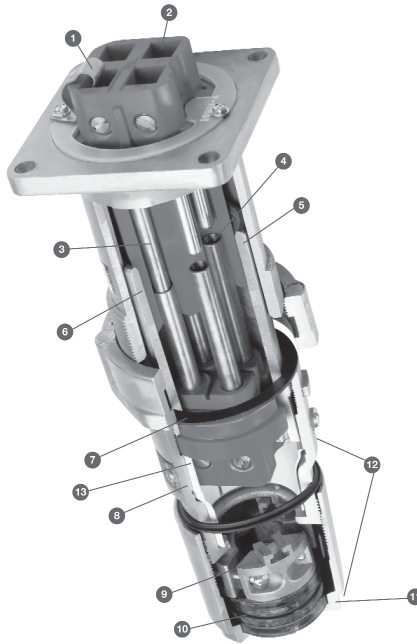
** Excludes 200A and 400A APR Connectors

Arktite® Heavy Duty Circuit Breaking Plugs and Receptacles

NEMA 4 Watertight

1P

Industrial Heavy Duty Non-hazardous Areas



Split Pin Contact Design:

- Provides nearly 360° of contact at every insertion, ensuring protection against heat rise and eliminating arcing on critical surfaces
- Continuous contact over length and circumference of mated pins provides superior safety and long-term performance
- Self-wiping at every insertion to prevent environmental contamination build-up



The additional features below are called out in the illustration on this page

- 1 The ground contact is bonded to the receptacle housing (Style 2)
- 2 Unimpeded, easy-access phase and ground terminals make wire termination quick and easy
- 3 Grounding contacts that make-first and break-last in the unlikely event of keyway failure
- 4 An arc formed when the plug is being removed is instantly snuffed in the deep confined insulated arcing chamber
- 5 A detent spring forms a parallel grounding path through the metallic plug sleeve and receptacle housing and is the first contact to make and the last to break
- 6 The plug sleeve is keyed to the receptacle to prevent mispolarization
- 7 The gasketing system provides unsurpassed watertight integrity (NEMA 4)
- 8 All aluminum Uni-Shell™ construction provides superior strength in abusive environments
- 9 The Tri-Lock™ cable grip has 3-piece design that equally distributes gripping power around perimeter of cable. Cord jacket does not get pinched, eliminating potential for damage to both internal conductors and external cable jacket. Cable grip is located inside plug housing, eliminating corrosion of vital hardware and making plug maintenance easy.
- 10 The unique Sure-Seal™ cable gland has two gasket sizes which fit entire range of cable diameters, reducing risk of improper assembly. The gasket ratchets into the Tri-lock™ cable grip to prevent plug from turning or loosening in high vibration areas.
- 11 Wrenching surfaces make Arktite plugs quick and easy to assemble
- 12 Smooth and contoured design of plug housing eliminates occurrence of cable grip snagging or breaking off. Tri-Lock™ screws are captive so cable grip cannot come apart during assembly. Prevents critical screws from getting lost during installation.
- 13 Plastic sleeve between insulator body and housing minimizes possibility of electrical shock in event of ground failure. Increases creepage and clearance protection.

Arktite® Advantage Features:

Internal Plug Safety Insulator

- Plastic barrier between insulator body and metal housing minimizes risk of energizing handle body due to stray conductor strands
- Increases creepage and clearance protection

CE Marked

- Offers a borderless solution with no additional inspection or documentation required for approval

Lockout Plug

- Allows users to comply with OSHA lockout/tagout requirements
- Ensures plug cannot be inserted into receptacle when maintenance is being performed downstream of power supply

Tri-Lock Cable Grip

- Three-piece design equally distributes grip around perimeter of cable
- Cable jacket does not get pinched, eliminating potential for damage to internal conductors
- Captive screws allow maximum extension of cord grip without risk of loose components

Sure-Seal Cable Gland

- Two gasket sizes fit entire cable range, reducing risk of improper assembly
- Gasket ratchets into Tri-Lock cable grip to provide environmental protection in high vibration areas



Plug Housing

- Smooth design eliminates occurrence of cable grip snagging or breaking off
- Houses Tri-Lock cable grip to eliminate corrosion of vital hardware and increase ease of maintenance



Combination Drive Stainless Steel Hardware

- Increases ease of installation by allowing for more than one option for installation tools
- Stainless steel external hardware eliminates corrosion on critical components and extends product life



Insulator Assemblies

- Unimpeded, easy access phase and ground terminals make wire termination quick and easy
- Lug screws secured with tape to prevent them from vibrating loose and falling out during shipping



Combination Slot and Hex Mechanical Lugs*

- Increases ease of installation by allowing for more than one option for installation tools
- Hex head allows for easy achievement of specified torque value



Receptacle Cover

- Automatic weatherproof seal every time plug is disengaged
- Field replaceable design allows for new cover to be threaded on quickly and easily



*60, 100, and 150A offering.

1P Arktite® Heavy Duty Circuit Breaking Plugs and Receptacles

NEMA 4 Watertight

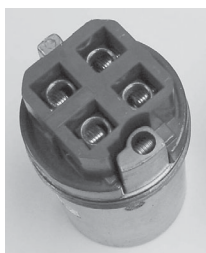
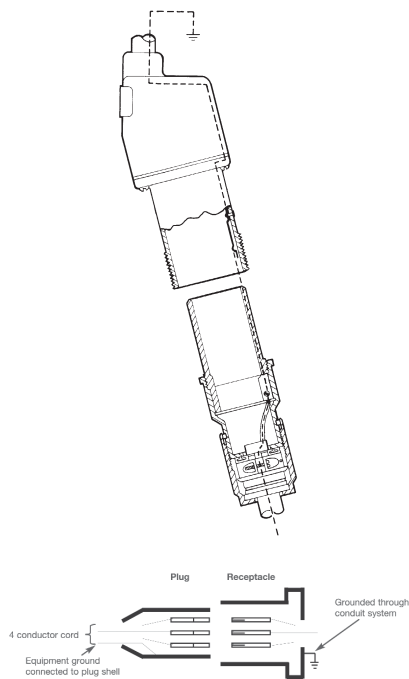
**Industrial Heavy Duty
Non-hazardous Areas**

Grounding: Style 1 vs. Style 2

Eaton's Crouse-Hinds Arktite devices utilize two methods, or styles, for completing the grounding circuit in plugs and receptacles. NEC reference 250.138 (A) & (B).

Style 1 – Metallic

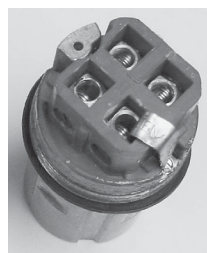
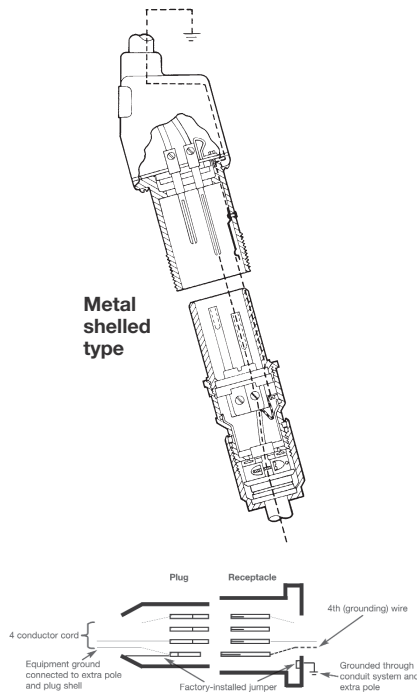
A Style 1 plug is one in which the grounding conductor in the flexible cable is bonded to the plug sleeve by a pressure connector. A Style 1 receptacle is one which is grounded by virtue of the fact that it is an integral part of a grounded conduit system. On insertion, the plug sleeve makes contact with detent springs of the grounded receptacle housing before line and load poles engage, and on withdrawal, remains in contact until after line and load poles disengage. Therefore, exposed metal parts of the portable equipment or plug are suitably grounded.



Style 1
Ground conductor
attaches to shell.

Style 2 – Metallic

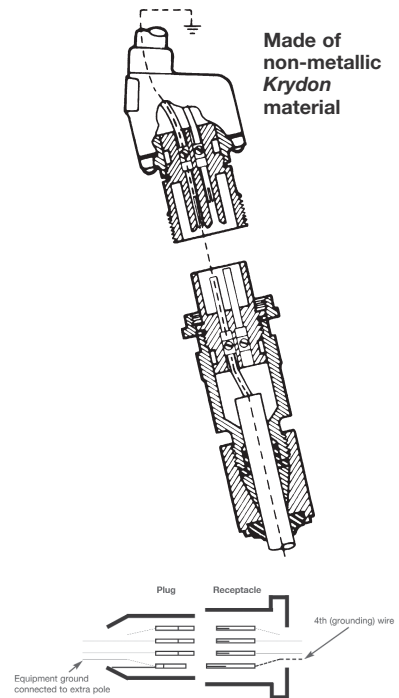
A Style 2 metallic housing plug is one in which the grounding conductor in the flexible cable is bonded to the extra (grounding) pole and metal plug sleeve by a pressure connector. A Style 2 metallic housing receptacle is one in which the extra (grounding) pole is electrically connected to the equipment grounding conductor and the metal receptacle housing which itself is grounded by virtue of the fact that it is an integral part of a grounded conduit system. In Style 2, non-metallic housing plugs and receptacles, the extra pole is used for grounding since the housings are non-conductive.



Style 2
Ground conductor
attaches to contact,
which is bonded to
shell.

Style 2 – Non-metallic

In a Style 2 receptacle, the grounding connection is made before line and load poles engage, and is broken after the line load poles disengage. Furthermore, upon insertion, the plug sleeve of metal shelled units makes contact with detent springs of the grounded receptacle housing before line and load poles engage, and on withdrawal, remains in contact until after line and load poles disengage. Therefore, exposed metal parts of the portable equipment or plug are suitably grounded.



1P

Arktite® Heavy Duty Circuit Breaking Plugs and Receptacles

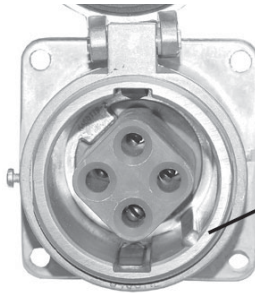
NEMA 4 Watertight

1P

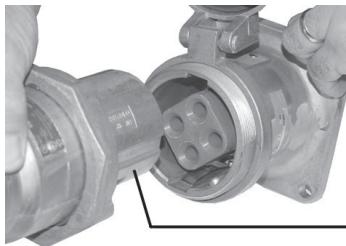
Industrial Heavy Duty Non-hazardous Areas

Standard Materials:

- Metallic receptacle housings, plug and cord connector bodies – high impact strength copper-free aluminum
- Non-metallic receptacles, plugs and cord connectors – *Krydon*® fiberglass-reinforced polyester material
- Back boxes: 20, 30, 60, 100, 150 and 200 ampere – cast aluminum; 400 ampere – *Feraloy*® iron alloy
- Insulation (metallic products): (2-, 3-, and 4-pole) 30, 60, 100, 200, 400 ampere – fiberglass-reinforced polyester; 20, 30 ampere (5-pole) – melamine
- Contacts: pressure, solder, binding screw – brass; crimp/solder 20, 30, 60, 100 ampere – leaded red brass; crimp/solder 150, 200, 400 ampere – tellurium copper



Arktite receptacles have a cast raised rib located inside the receptacle sleeve. The location of the rib is in a specific relationship to the receptacle insulator that houses the contacts.



The mating plug has a cast groove located on the outside of the plug sleeve. This groove lines up with the raised rib.

Standard Finishes:

- *Feraloy* – electrogalvanized and aluminum acrylic paint
- Aluminum – natural
- *Krydon* fiberglass-reinforced polyester material – gray
- Fiberglass-reinforced polyester insulation – (red)
- Melamine – natural (brown)
- Brass – natural
- Leaded red brass – electro-tin-plate

Accessories:

- Accessories include a variety of angle adapters, panel adapters and back boxes for *Arktite* receptacles, see pages 1332–1335.
- Included throughout 1P are wire mesh cable grips and protective caps for *Arktite* plugs.

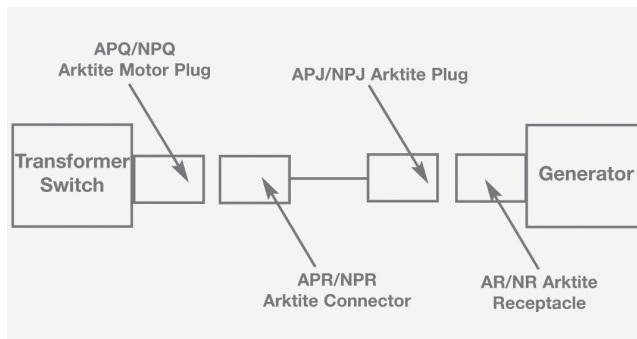
Options:

The following special options are available from factory by adding the suffix to the Cat. #:

- | Description | Suffix |
|---|--------|
| • Reversed contacts. Receptacle assembled with plug interior (exposed contacts), plug assembled with receptacle interior (recessed contacts). For applications where plug is energized to feed normally de-energized receptacle. Available on 30 through 400 ampere units... S22 | |
| • Special polarity. For use where two or more receptacles of the same ampere rating, style and number of poles are to be installed in the same area for use on different voltages and/or frequencies. Prevents insertion of a plug in a receptacle with different electrical rating. | |

Available on 20 through 400 ampere units as follows:

- Receptacle interior rotated 22½° to right and plug changed to match (see photo to right).....**S4**
- Corro-free™ epoxy powder finish for added corrosion resistance.....**S752**



Typical Installation

§150A, 200A and 400A rated units are for service disconnect use only.

1P Arktime® Heavy Duty Circuit Breaking Plugs and Receptacles

NEMA 4 Watertight

Industrial Heavy Duty Non-hazardous Areas

Arktime Horsepower Ratings Locked-Rotor Interrupting

| Ampere Rating Plug and Receptacle | Motor Horsepower† | | | |
|---------------------------------------|-------------------|--------------|--------------|--------------|
| | 120 Volts | 240 Volts | 480 Volts | 600 Volts |
| Single-phase Electrical System | | | | |
| 30 | 2 | 3 | 7.5 | 10 |
| 60 | 5 | 10 | 25 | 20 |
| 100 | 10 | 20 | | |
| 200 | 15 | 40 | | |
| Three-phase Electrical System | | | | |
| 30 | 3 | 5 | 10 | 10 |
| 60 | 10 | 20 | 40 | 50 |
| 100 | 15 | 30 | 40 | 25 |
| 200 | 30 | 60 | 25 | 15 |

Maximum Horsepower for Plug and Receptacle Combinations by Input Voltage*

Following values are typical horsepower ratings based on NEC Article 430 tables.

HP Ratings are based on the largest conductor size for each plug and receptacle combination per the Wire Size table below.

| Ampere Rating Plug and Receptacle | Motor Horsepower‡ | | |
|--------------------------------------|-------------------|--------------|--------------|
| | 240 Volts | 480 Volts | 600 Volts |
| 30 | 15 | 30 | 40 |
| 60 | 20 | 40 | 50 |
| 100 | 30 | 60 | 75 |
| 150 | 40 | 75 | 100 |
| 200 | 60 | 125 | 150 |

Wire Sizes:

The table below lists the diameter of the wire recess in *Arktime* plug and receptacle contacts so that maximum size of bare conductor can be figured. Range of wire sizes shown in table is intended only as a guide. Depending on type of wire used (building wire, flexible or extra flexible cable) and its construction (number and size of strands), bare copper diameters vary widely.

Diameter of Wire Recess in Plug and Receptacle Contacts

| Ampere Rating | Contact Type | Diameter of Recess | Wire Size‡ | |
|-----------------------|---------------|--------------------|-------------|------------|
| | | | Building | Extra Flex |
| 20 | Binding Screw | N/A | #14-#12 | #14-#12 |
| 30 (2, 3, & 4-pole) | Pressure | .281 | #10-#6 | #10-#8 |
| 30 (2, 3, & 4-pole) | Crimp/Solder | .180 | #10-#8** | #10-#8 |
| 30 (5-pole) | Solder | .188 | #12-#6 | #12-#8 |
| 60 (2, 3, 4 & 5-pole) | Pressure | .312 | #6-#4 | #8-#4 |
| 60 (3 & 4-pole) | Crimp/Solder | .277 | #6-#4** | #8-#4 |
| 100 (2, 3 & 4-pole) | Pressure | .390 | #4-#1 | #4-#2 |
| 100 (3 & 4-pole) | Crimp/Solder | .390 | #2-#1** | #2-#2 |
| 150 (4-pole) | Pressure | .390 | #2-2/0 | #2-1/0 |
| 200 (3 & 4-pole) | Pressure | .687 | 2/0-4/0 | 2/0-3/0 |
| 200 (Std. 3 & 4-pole) | Crimp/Solder | .560 | #1-4/0 | #1-3/0 |
| 200 (Lg. 3 & 4-pole) | Crimp/Solder | .750 | 4/0-250MCM | 3/0-250MCM |
| 400 (Std. 3 & 4-pole) | Crimp/Solder | .840 | 250-500MCM | 250-400MCM |
| 400 (Lg. 3 & 4-pole) | Crimp/Solder | 1.25 | 500-1000MCM | 400-750MCM |

‡150A, 200A and 400A rated units are for service disconnect use only.

† Horsepower ratings are based on Eaton's Crouse-Hinds testing in which locked-rotor currents were interrupted by withdrawing the plug from the receptacle. It is highly recommended, however, that such use be limited to emergency conditions only, and that a horsepower rated switch be used for motor disconnect.

* This guide is for reference only. Consult your local electrical codes before installation.

‡ Eaton's Crouse-Hinds does not recommend our plug and receptacle be used for disconnect under load.

**Smaller sizes may be used with well reducers - information available upon request.

‡Do not use wire size smaller than minimum size recommended.

1P

1P Arktite® Heavy Duty Circuit Breaking Receptacle Assemblies and Housings

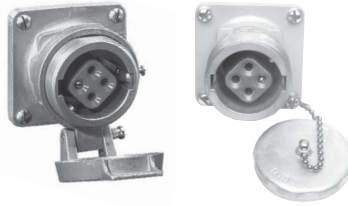
NEMA 4 Watertight

100 A, 600 VAC/250 VDC, 50† – 400 hertz
 150 A, 600 VAC/250 VDC, 50† – 400 hertz

Ordering Information:



Receptacle Assembly



Receptacle

Receptacle Housings Only



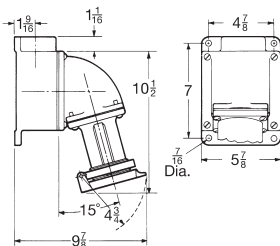
Mating Plug



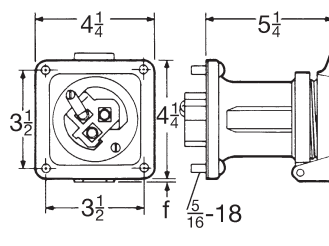
Mating Connector

| Description | Hub Size (In.) | Spring Door Cat. # | Receptacle Housings Only | | Cable Dia. | Cat. # | Cat. # |
|--------------------------|----------------|--------------------|--------------------------|--------------------------|---------------|----------|----------|
| | | | Spring Door Cat. # | Threaded Cap Only Cat. # | | | |
| 100A - Style 1 | | | | | | | |
| 2-wire, } 2-pole } | 1¼ | AREA10214 | AR1021 | AR1027 | 0.875 to 1.70 | APJ10277 | APR10257 |
| | 1½ | AREA10215 | | | | | |
| 3-wire, } 3-pole } | 1¼ | AREA10314 | AR1031 | AR1037 | 0.875 to 1.70 | APJ10377 | APR10357 |
| | 1½ | AREA10315 | | | | | |
| 4-wire, } 4-pole } | 1½ | AREA10415 | AR1041 | AR1047 | 0.875 to 1.70 | APJ10477 | APR10457 |
| | 2 | AREA10416 | | | | | |
| 100 A - Style 2 | | | | | | | |
| 2-wire, } 3-pole } | 1¼ | AREA10324 | AR1032 | AR1038 | 0.875 to 1.70 | APJ10387 | APR10367 |
| | 1½ | AREA10325 | | | | | |
| 3-wire, } 4-pole } | 1½ | AREA10425 | AR1042 | AR1048 | 0.875 to 1.70 | APJ10487 | APR10467 |
| | 2 | AREA10426 | | | | | |
| 150 A - Style 2 * | | | | | | | |
| 3-wire, } 4-pole } | | | AR1542 | AR1548 | 0.875 to 1.70 | APJ15487 | |

Dimensions (In Inches):

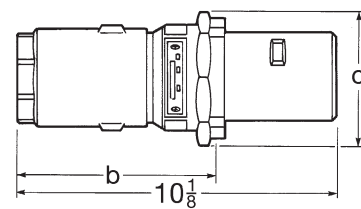


ARE Assembly



AR Receptacle - Spring Door

| No. Poles | f |
|-----------|-------|
| 2 or 3 | 9/32 |
| 4 | 13/32 |

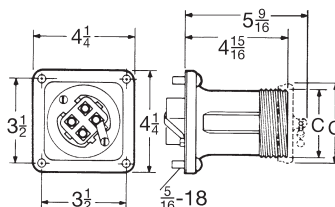


APJ Plug

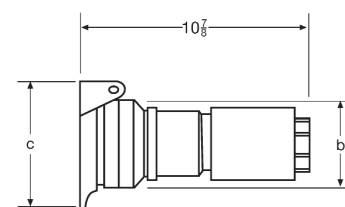
| No. Poles | b | c |
|-----------|--------|-------|
| 3 | 6 9/16 | 3 3/4 |
| 4 | 6 5/8 | 4 1/8 |

| No. Poles | Housing | c |
|-----------|----------|---------|
| 2 or 3 | open | 3 3/16 |
| 4 | open | 3 7/16 |
| 2 or 3 | with cap | 3 11/16 |
| 4 | with cap | 3 7/8 |

| No. Poles | b | c |
|-----------|-------|--------|
| 3 | 3 3/8 | 3 3/16 |
| 4 | 3 1/2 | 3 7/16 |



AR Receptacle - Open and With Cap



APR Connector

† For use on systems less than 60 hertz the receptacles, plugs and connectors are for disconnect use only.
 * For 150A - Consult factory for additional options and configurations. Consult factory for certifications information.

Arktite® Heavy Duty Circuit Breaking Receptacle Assemblies and Housings

NEMA 4 Watertight

1P

100 A, 600 VAC/250 VDC, 50† – 400 hertz
150 A, 600 VAC/250 VDC, 50† – 400 hertz

Plug Closure Caps:

Applications:

CPK caps for Arktite plugs are used:

- Where portable equipment is on a standby basis and plugs are not in use
- To effectively protect insulation and contacts from excessive moisture, dirt, dust and corrosion
- With 30, 60, 100, 150 and 200 ampere plugs with fastening ring and standard 200 ampere plugs for the clamp door housing



Ordering Information

| Config. | Cat. # |
|---------|--------|
| 2P & 3P | CPK62 |
| 4P | CPK64 |

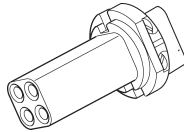
Standard Materials:

- Copper-free aluminum

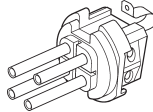
Standard Finishes:

- Natural

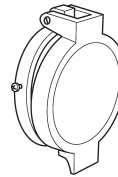
Replacement Parts:



Receptacle Interior



Plug Interior



Spring Door



Screw Cap

| Config. | Receptacle Interior | Plug Interior | Spring Door | Screw Cap |
|---------|---------------------|---------------|-------------|-----------|
| 2W 2P | ATP315 | ATP310 | | |
| 2W 3P | ATP318 | ATP313 | QE53 | QE62 |
| 3W 3P | ATP316 | ATP311 | | |
| 3W 4P | ATP319 | ATP314 | QE54 | QE64 |
| 4W 4P | ATP317 | ATP312 | | |
| 4W 5P | N/A | N/A | N/A | N/A |
| 5W 5P | N/A | N/A | N/A | N/A |

Replacement Pin & Sleeve Contacts:

| Description | Recep | Plug |
|---|-------------|-------------|
| Available as a kit only. 5 phase contacts & 1 ground contact included. | AR100CONKIT | AP100CONKIT |

† For use on systems less than 60 hertz the receptacles, plugs and connectors are for disconnect use only.