

Powertite® 200 Amp Pin and Sleeve Clamp Cover Plugs, Connectors and Receptacles

600 Vac, 250 Vdc, 50-400 Hz.

Wire Recess Diameter: .687". Wire Size Range: 250 MCM-#2/0. Pressure Wire Terminals ★.

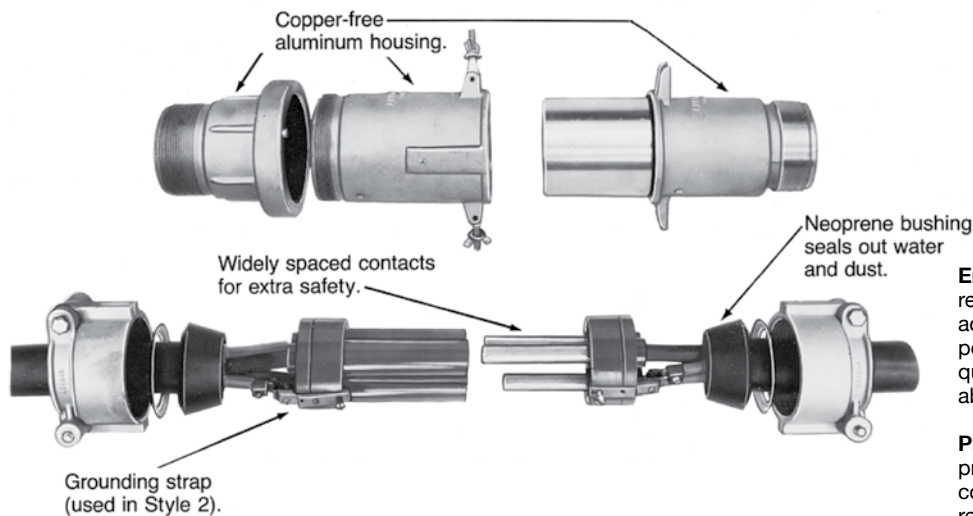
NEMA 3, 3R, 4, 4X



| Grounding Style | Wire/Pole | Receptacle with AJA Mounting Box † | Hub Size (Inches) | Receptacle Only † | Connector Body Only | Plug Only ‡ | Cable Dia. (Inches) | |
|-----------------------------------|-----------|------------------------------------|-------------------|-------------------|---------------------|-------------|---------------------|--|
| Style 1 (Shell Only) | 3W, 3P | AJA20033-150 | 1-1/2 | AR20033 | ARC20033CD | AP20033CD | .875 to 1.906 | |
| | | AJA20033-200 | 2 | | ARC20033E | AP20033E | 1.875 to 2.500 | |
| | 4W, 4P | AJA20044-200 | 2 | AR20044 | ARC20044CD | AP20044CD | .875 to 1.906 | |
| | | AJA20044-250 | 2-1/2 | | ARC20044E | AP20044E | 1.875 to 2.500 | |
| Style 2 (Shell and Extra Pole) | 2W, 3P | AJA20023-150 | 1-1/2 | AR20023 | ARC20023CD | AP20023CD | .875 to 1.906 | |
| | | AJA20023-200 | 2 | | ARC20023E | AP20023E | 1.875 to 2.500 | |
| | 3W, 4P | AJA20034-150 | 1-1/2 | AR20034 | ARC20034CD | AP20034CD | .875 to 1.906 | |
| | | AJA20034-200 | 2 | | ARC20034E | AP20034E | 1.875 to 2.500 | |
| | | | AJA20034-250 | 2-1/2 | | ARC20034E | | |

For Reverse Service add suffix **-RS** to Catalog Number.
For Special Polarization, add suffix **-P4** to Catalog Number.

Pin and Sleeve Design



Energized contacts deeply recessed to reduce danger of accidental touching, minimize possibility of exposed arcs. Insulator quenches arcing, and is resistant to abnormal heat and to fire.

Plug mechanical cable clamps provide strain relief at conductor connections, allow easy cable replacement.

★ Adapters for #4-#1 wire available, see Powertite® 200 and 400 Amp Replacement Parts.

◆ For additional mounting boxes, see Aluminum Mounting Boxes.

† Receptacle meets NEMA 3, 3R, 4, 4X with plug fully inserted and wing nuts fully tightened or clamp cover installed with wing nuts fully tightened.

‡ Plug and connector body combination is NEMA 4X rated when wing nuts are fully tightened on connector body.

Powertite® 200 Amp Pin and Sleeve Clamp Cover Plugs, Connectors and Receptacles

600 Vac, 250 Vdc, 50-400 Hz.

Wire Recess Diameter: .687". Wire Size Range: 250 MCM-#2/0. Pressure Wire Terminals ★.

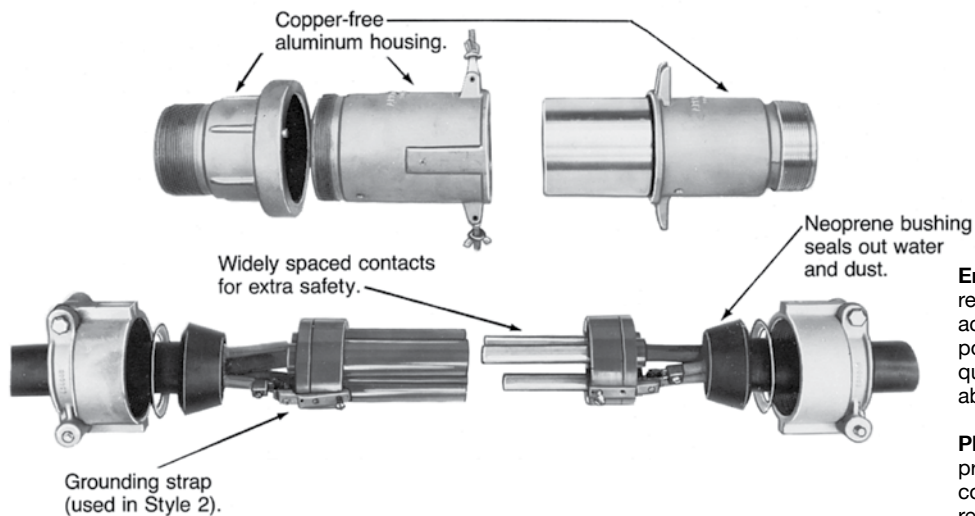
NEMA 3, 3R, 4, 4X



| Grounding Style | Wire/Pole | Receptacle with AJA Mounting Box † | Hub Size (Inches) | Receptacle Only † | Connector Body Only | Plug Only ‡ | Cable Dia. (Inches) | |
|-----------------------------------|-----------|------------------------------------|-------------------|-------------------|---------------------|-------------|---------------------|--|
| Style 1 (Shell Only) | 3W, 3P | AJA20033-150 | 1-1/2 | AR20033 | ARC20033CD | AP20033CD | .875 to 1.906 | |
| | | AJA20033-200 | 2 | | ARC20033E | AP20033E | 1.875 to 2.500 | |
| | 4W, 4P | AJA20044-200 | 2 | AR20044 | ARC20044CD | AP20044CD | .875 to 1.906 | |
| | | AJA20044-250 | 2-1/2 | | ARC20044E | AP20044E | 1.875 to 2.500 | |
| Style 2 (Shell and Extra Pole) | 2W, 3P | AJA20023-150 | 1-1/2 | AR20023 | ARC20023CD | AP20023CD | .875 to 1.906 | |
| | | AJA20023-200 | 2 | | ARC20023E | AP20023E | 1.875 to 2.500 | |
| | 3W, 4P | AJA20034-150 | 1-1/2 | AR20034 | ARC20034CD | AP20034CD | .875 to 1.906 | |
| | | AJA20034-200 | 2 | | ARC20034E | AP20034E | 1.875 to 2.500 | |
| | | | AJA20034-250 | 2-1/2 | | ARC20034E | | |

For Reverse Service add suffix **-RS** to Catalog Number.
For Special Polarization, add suffix **-P4** to Catalog Number.

Pin and Sleeve Design



Energized contacts deeply recessed to reduce danger of accidental touching, minimize possibility of exposed arcs. Insulator quenches arcing, and is resistant to abnormal heat and to fire.

Plug mechanical cable clamps provide strain relief at conductor connections, allow easy cable replacement.

★ Adapters for #4-#1 wire available, see Powertite® 200 and 400 Amp Replacement Parts.

◆ For additional mounting boxes, see Aluminum Mounting Boxes.

† Receptacle meets NEMA 3, 3R, 4, 4X with plug fully inserted and wing nuts fully tightened or clamp cover installed with wing nuts fully tightened.

‡ Plug and connector body combination is NEMA 4X rated when wing nuts are fully tightened on connector body.