



**SPECIFICATIONS**

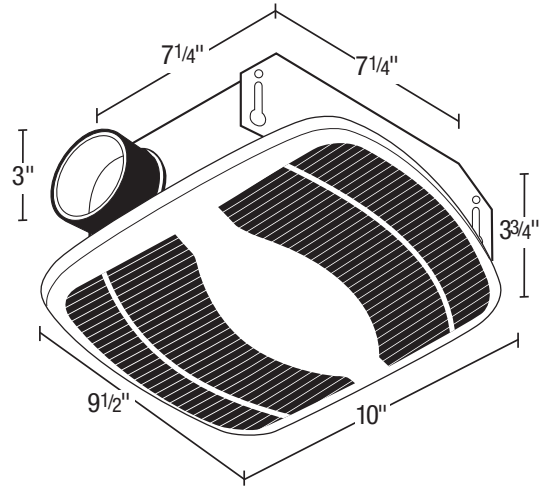
**AS50**

**EXHAUST FAN**



**50 CFM/3.0 Sones @ 0.10" SP.**

- Grill**  
 White, polymeric grill secured in place with torsion springs; easily removed if necessary, dimensions - 10" x 9 1/2".
- Blower Wheel**  
 One piece polymeric wheel, 4 1/2" diameter, 1" wide, with 10 fins.
- Motor**  
 Single coil plug-in, two pole motor, life time lubrication, thermally protected. Rated 120 volts, 60 hz. Rated for continuous use.
- Fan Housing**  
 23 gauge galvanized metal housing, dimensions 7 1/4" x 7 1/4" x 3 3/4", double metal thickness mounting tabs.
- Duct Collar**  
 Plastic collar for 3" duct connection, comes complete with built in non-metallic back draft damper for quiet operation.
- Ventilating Area**  
 For bathrooms up to 50 sq. ft. for other rooms up to 60 sq. ft.
- Unit Mounting**  
 Designed to mount in ceilings or walls with at least 4" of clearance. The housing will mount through drywall thickness up to 3/4", with a rough-in opening of 7 1/2" x 7 1/2".
- Single Pack Shipping Info**  
 Box Dim: 10 3/4" x 10 1/8" x 4 3/4"  
 UPC: 0-8316225311-8  
 Shipping Weight: 4 1/2 lbs.



**Acceptable for use over tub or shower when installed in a GFCI protected branch circuit.**

**EXPANDED PERFORMANCE**

	Static Pressure (inches of w.g.)							Sones @ .1 SP	Fan Speed RPM	Maximum Fan Watts	Amps
	0	0.05	0.1	0.125	0.15	0.2	0.25				
<b>Air Flow - CFM</b>	55	53	50	49	47	44	39	3.0	2125	48	0.9

<b>PROJECT</b>							<b>ARCHITECT</b>				
<b>LOCATION</b>							<b>ENGINEER</b>				
<b>CONTRACTOR</b>							<b>SUBMITTED BY</b>			<b>DATE</b>	
FAN NUMBER	MODEL NUMBER	CFM	IN W.G.	RPM	WATTS	AMPS	SONES	QTY	OPTIONAL EQUIPMENT & REMARKS		



**Air King:** 820 Lincoln Avenue  
 West Chester, Pennsylvania 19380-4466  
 Tel: (610) 692-7400 • 877-304-3785  
 Fax: (610) 696-8048



SPECIFICATIONS

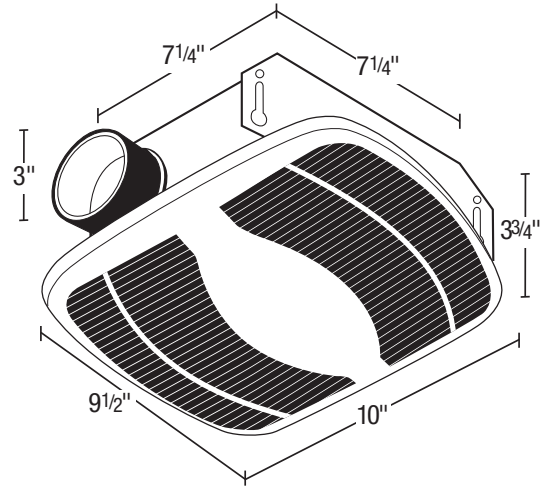
**AS50**

EXHAUST FAN



**50 CFM/3.0 Sones @ 0.10" SP.**

- Grill**  
 White, polymeric grill secured in place with torsion springs; easily removed if necessary, dimensions - 10" x 9 1/2".
- Blower Wheel**  
 One piece polymeric wheel, 4 1/2" diameter, 1" wide, with 10 fins.
- Motor**  
 Single coil plug-in, two pole motor, life time lubrication, thermally protected. Rated 120 volts, 60 hz. Rated for continuous use.
- Fan Housing**  
 23 gauge galvanized metal housing, dimensions 7 1/4" x 7 1/4" x 3 3/4", double metal thickness mounting tabs.
- Duct Collar**  
 Plastic collar for 3" duct connection, comes complete with built in non-metallic back draft damper for quiet operation.
- Ventilating Area**  
 For bathrooms up to 50 sq. ft. for other rooms up to 60 sq. ft.
- Unit Mounting**  
 Designed to mount in ceilings or walls with at least 4" of clearance. The housing will mount through drywall thickness up to 3/4", with a rough-in opening of 7 1/2" x 7 1/2".
- Single Pack Shipping Info**  
 Box Dim: 10 3/4" x 10 1/8" x 4 3/4"  
 UPC: 0-8316225311-8  
 Shipping Weight: 4 1/2 lbs.



Acceptable for use over tub or shower when installed in a GFCI protected branch circuit.

**EXPANDED PERFORMANCE**

	Static Pressure (inches of w.g.)							Sones @ .1 SP	Fan Speed RPM	Maximum Fan Watts	Amps
	0	0.05	0.1	0.125	0.15	0.2	0.25				
<b>Air Flow - CFM</b>	55	53	50	49	47	44	39	3.0	2125	48	0.9

<b>PROJECT</b>							<b>ARCHITECT</b>				
<b>LOCATION</b>							<b>ENGINEER</b>				
<b>CONTRACTOR</b>							<b>SUBMITTED BY</b>			<b>DATE</b>	
FAN NUMBER	MODEL NUMBER	CFM	IN W.G.	RPM	WATTS	AMPS	SONES	QTY	OPTIONAL EQUIPMENT & REMARKS		



**Air King:** 820 Lincoln Avenue  
 West Chester, Pennsylvania 19380-4466  
 Tel: (610) 692-7400 • 877-304-3785  
 Fax: (610) 696-8048