



# SignPRO

## SIGNPRO MAG SIGN BALLAST (2-4) T12/HO 12-24FT 120V

signPRO magnetic ballasts for T12/HO Rapid Start Fluorescent Lamps deliver the combined benefits of efficient operation, long ballast life, and outstanding reliability. Built to perform under all weather conditions, Philips-Advance's family of signPRO magnetic ballasts offers sign suppliers, manufacturers, and installers a broad range of dependable lighting solutions.

### Product data

#### • General Characteristics

Lamp Type	T12/HO
Number of Lamps	2-4 piece
Input Voltage	120 V
Input Current (Operating)	2.7 A
Line Frequency	60 Hz
Lamp Footage(for sign ballast)	12 - 24 FT
Ballast Type	Magnetic Fluorescent
Base Model	ASB122424BLTP
Housing	BL2
Housing Dimensions	14.31" x 3.44" x 2.63"
Housing Material	Metal
Suitable for Outdoor use?	Yes
Starting Method	Rapid Start
Family Name	SignPRO

#### • Operating Characteristics

Automatic restart	Yes
Ignition time	1 s
Input Power Gear	312 W
Ballast factor	0.8 -
Ballast Efficacy Factor	0.26 -
Power Factor	0.984
Lamp Current Crest Factor	1.7 -
Sound Rating	C
Max THD	25 %

#### • Wiring Characteristics

Wire Striplength	0.50/0.375 mm
Lamp Connection	Series
Wire Gauge	18AWG

Wire Length by Color	See data sheet
Wire Type	Solid
Allowed Wiring Config(Remote)	Yes
Allowed Wiring Config(Tandem)	Yes
Allowed Wiring Config(Through)	Yes
Max Dist. Ball to Lamp(Remote)	15'
Max Dist. Ball to Lamp(Tandem)	Any = 15'
Max Dist. Ball to Lamp(Through)	Any = 15'

#### • System Chars on driver level

Rated Lamp Watts	110W
------------------	------

#### • Product Dimensions

Length A1	14.31 in
Length A2	13.75 in
Width B1	3.19 in
Height C1	2.63 in

#### • Approval & Application Chars

EMC Immunity	FCC Non-Consumer
Approbation Marks	UL, CSA, RoHS
UL Listed	Yes
CSA certificate	Yes
CEC Listing	No
Circle E logo	No
CSA E	No
cUL certificate	No

# PHILIPS

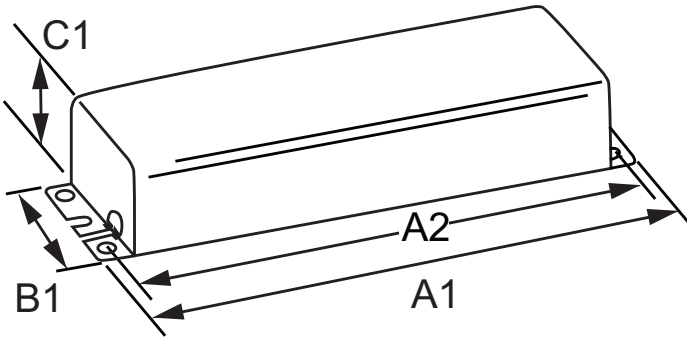
DOE	No
FIDE Certificate	No
NOM certificate	No
RoHS Compliant	Yes
SASO Certificate	No
UL Recognized	No

Short product name	SIGN BALLAST (2-4) T12/HO 12-24FT 120V
Pieces per Sku	1
eop_pck_cfg	1
Skus/Case	1
Bar code on pack	781087000083
Bar code on case	30781087000084
Logistics code(s)	913700586209
eop_net_weight_pp	6.564 kg

• **Product Data**

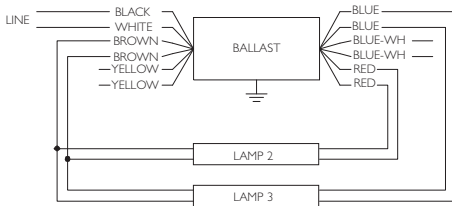
Product number	ASB122424BLTPI
Full product name	SIGN BALLAST (2-4) T12/HO 12-24FT 120V

## Dimensional drawing



### SIGNPRO MAG SIGN BALLAST (2-4) T12/HO 12-24FT 120V

Product	A1 (Norm)	A2 (Norm)	B1 (Norm)	C1 (Norm)	D1 (Norm)
SIGN BALLAST (2-4) T12/HO 12-24FT 120V	14.31	13.75	3.19	2.63	-



Note: Insulate unused leads individually as shown on ballast label

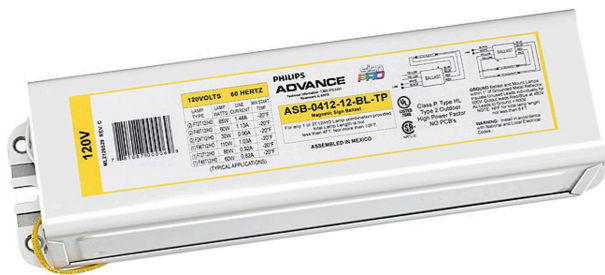


© 2014 Koninklijke Philips N.V. (Royal Philips)  
All rights reserved.

Specifications are subject to change without notice. Trademarks are the property of Koninklijke Philips N.V. (Royal Philips) or their respective owners.

[www.philips.com/lighting](http://www.philips.com/lighting)

2014, February 1  
data subject to change



# SignPRO

## SIGNPRO MAG SIGN BALLAST (2-4) T12/HO 12-24FT 120V

signPRO magnetic ballasts for T12/HO Rapid Start Fluorescent Lamps deliver the combined benefits of efficient operation, long ballast life, and outstanding reliability. Built to perform under all weather conditions, Philips-Advance's family of signPRO magnetic ballasts offers sign suppliers, manufacturers, and installers a broad range of dependable lighting solutions.

### Product data

#### • General Characteristics

Lamp Type	T12/HO
Number of Lamps	2-4 piece
Input Voltage	120 V
Input Current (Operating)	2.7 A
Line Frequency	60 Hz
Lamp Footage(for sign ballast)	12 - 24 FT
Ballast Type	Magnetic Fluorescent
Base Model	ASB122424BLTP
Housing	BL2
Housing Dimensions	14.31" x 3.44" x 2.63"
Housing Material	Metal
Suitable for Outdoor use?	Yes
Starting Method	Rapid Start
Family Name	SignPRO

#### • Operating Characteristics

Automatic restart	Yes
Ignition time	1 s
Input Power Gear	312 W
Ballast factor	0.8 -
Ballast Efficacy Factor	0.26 -
Power Factor	0.984
Lamp Current Crest Factor	1.7 -
Sound Rating	C
Max THD	25 %

#### • Wiring Characteristics

Wire Striplength	0.50/0.375 mm
Lamp Connection	Series
Wire Gauge	18AWG

Wire Length by Color	See data sheet
Wire Type	Solid
Allowed Wiring Config(Remote)	Yes
Allowed Wiring Config(Tandem)	Yes
Allowed Wiring Config(Through)	Yes
Max Dist. Ball to Lamp(Remote)	15'
Max Dist. Ball to Lamp(Tandem)	Any = 15'
Max Dist. Ball to Lamp(Through)	Any = 15'

#### • System Chars on driver level

Rated Lamp Watts	110W
------------------	------

#### • Product Dimensions

Length A1	14.31 in
Length A2	13.75 in
Width B1	3.19 in
Height C1	2.63 in

#### • Approval & Application Chars

EMC Immunity	FCC Non-Consumer
Approbation Marks	UL, CSA, RoHS
UL Listed	Yes
CSA certificate	Yes
CEC Listing	No
Circle E logo	No
CSA E	No
cUL certificate	No

# PHILIPS

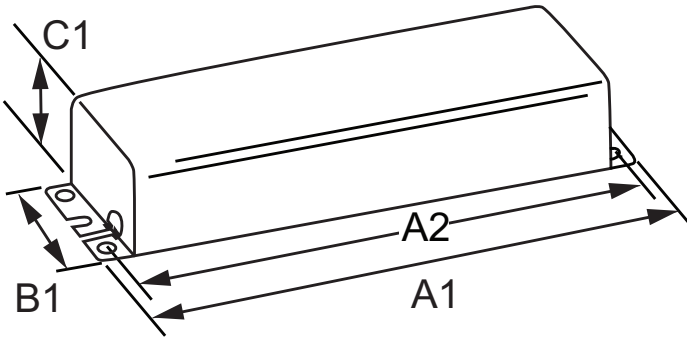
DOE	No
FIDE Certificate	No
NOM certificate	No
RoHS Compliant	Yes
SASO Certificate	No
UL Recognized	No

Short product name	SIGN BALLAST (2-4) T12/HO 12-24FT 120V
Pieces per Sku	1
eop_pck_cfg	1
Skus/Case	1
Bar code on pack	781087000083
Bar code on case	30781087000084
Logistics code(s)	913700586209
eop_net_weight_pp	6.564 kg

• **Product Data**

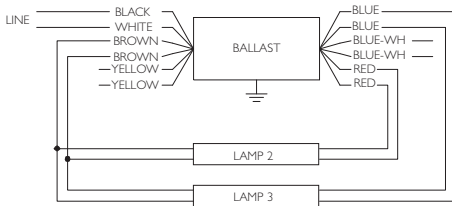
Product number	ASB122424BLTPI
Full product name	SIGN BALLAST (2-4) T12/HO 12-24FT 120V

## Dimensional drawing



### SIGNPRO MAG SIGN BALLAST (2-4) T12/HO 12-24FT 120V

Product	A1 (Norm)	A2 (Norm)	B1 (Norm)	C1 (Norm)	D1 (Norm)
SIGN BALLAST (2-4) T12/HO 12-24FT 120V	14.31	13.75	3.19	2.63	-



Note: Insulate unused leads individually as shown on ballast label



© 2014 Koninklijke Philips N.V. (Royal Philips)  
All rights reserved.

Specifications are subject to change without notice. Trademarks are the property of Koninklijke Philips N.V. (Royal Philips) or their respective owners.

[www.philips.com/lighting](http://www.philips.com/lighting)

2014, February 1  
data subject to change