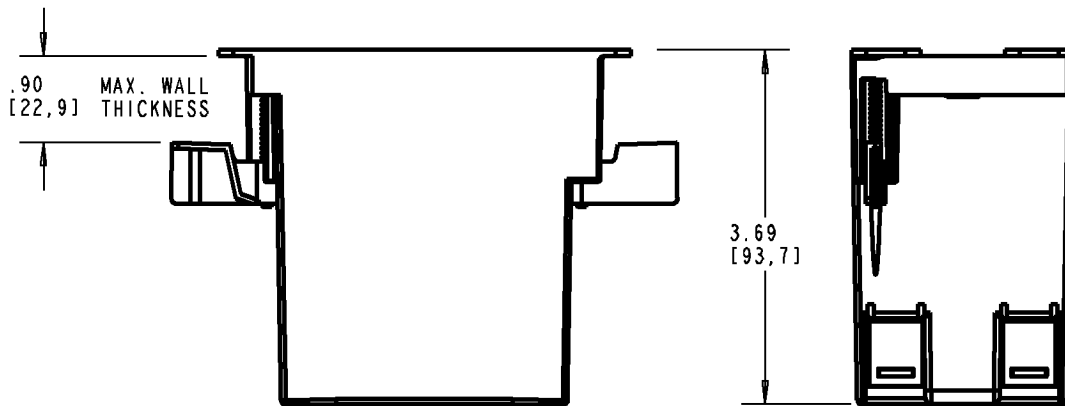
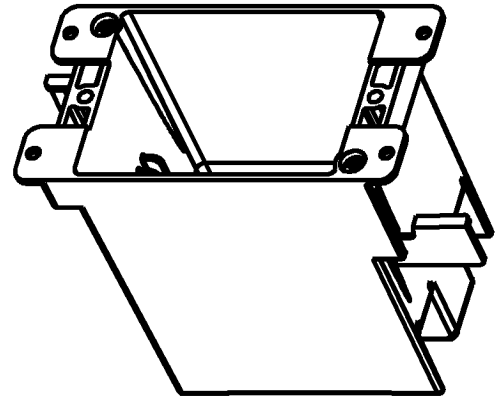
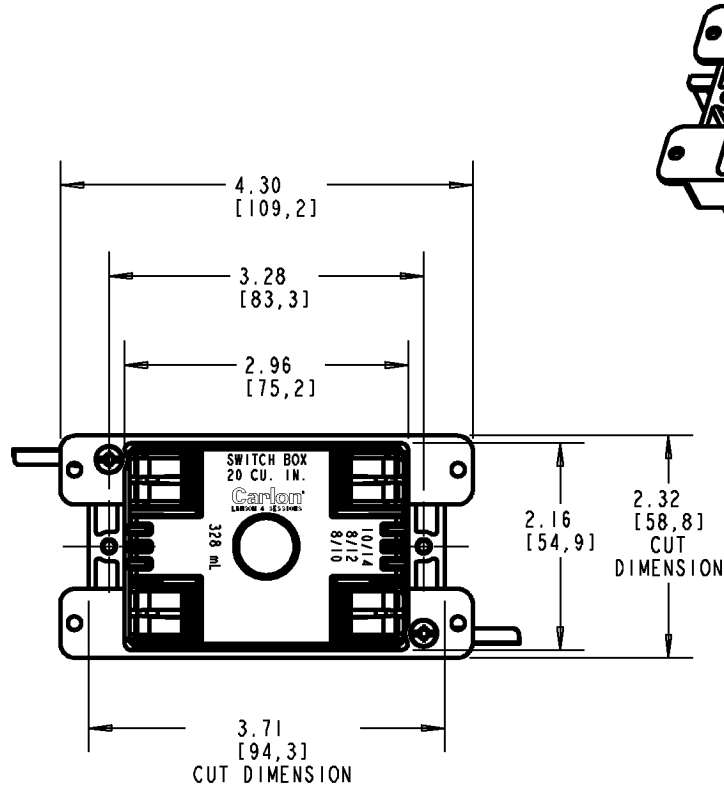


# Carlton®



NOTES:  
1. PRODUCT IS UL AND C-UL LISTED.

P/N B120R

## GENERAL NOTES

- ALL DIMENSIONS ARE FOR REFERENCE ONLY.
- DIMENSIONS IN BRACKETS [ ] ARE IN METRIC UNITS.

## REVISIONS

\*\*\* SEE ERN ( \*\*\*\* ) FOR APPROVAL SIGNATURES & RELEASE DATE.  
PROJECT NO: \*\*\*\*

**Thomas & Betts**  
www.tnb.com

DESCRIPTION: 20 CU. IN. VOL. OLD WORK BOX

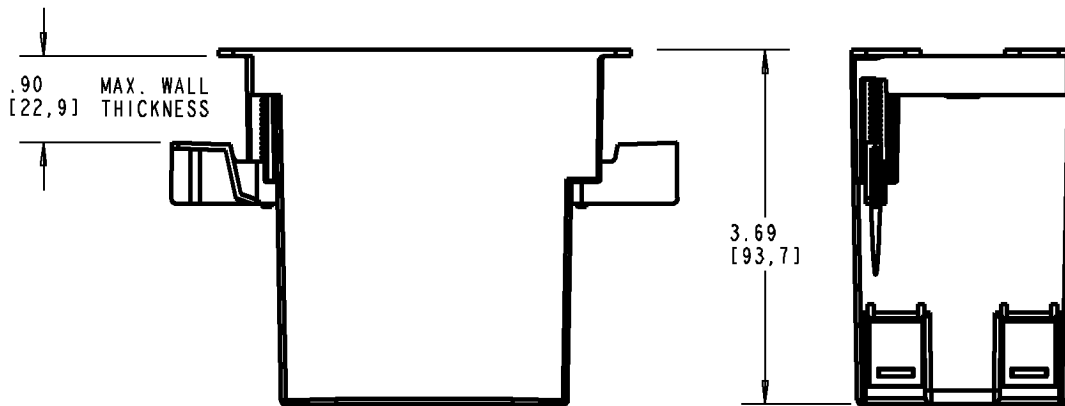
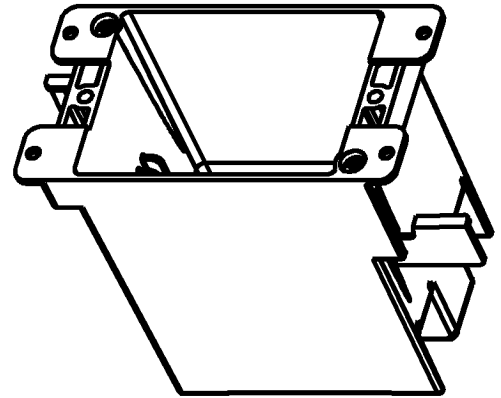
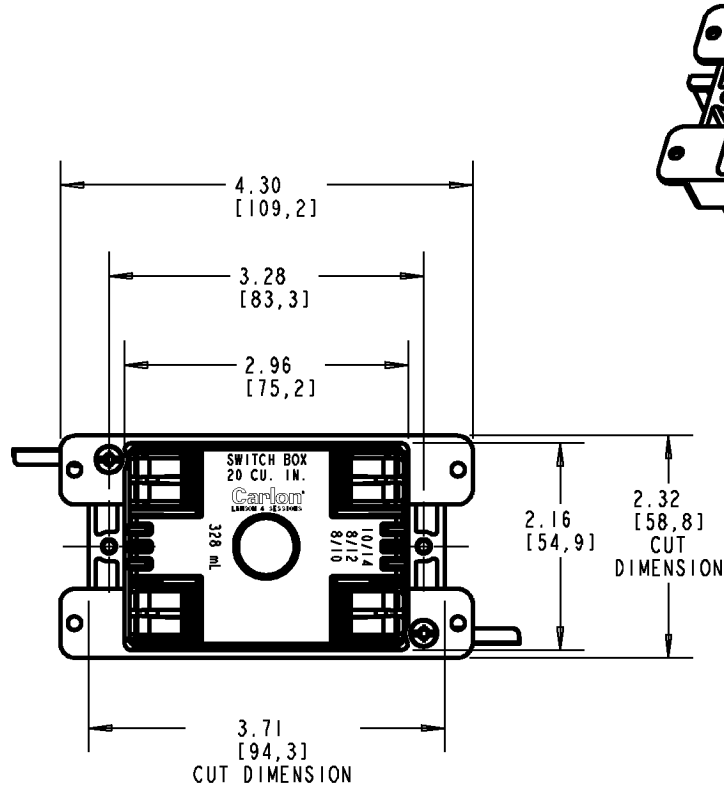
ORIGINAL PROJECT NO / ( ERN NO )  
/ ( )

SHEET NO:  
1 OF 1

REV. NO:  
F

DRAWING NO:  
WSD-AC03278

# Carlton®



NOTES:  
1. PRODUCT IS UL AND C-UL LISTED.

P/N B120R

## GENERAL NOTES

1. ALL DIMENSIONS ARE FOR REFERENCE ONLY.
2. DIMENSIONS IN BRACKETS [ ] ARE IN METRIC UNITS.

## REVISIONS

\*\*\* SEE ERN ( \*\*\*\* ) FOR APPROVAL SIGNATURES & RELEASE DATE.  
PROJECT NO: \*\*\*\*

**Thomas & Betts**  
www.tnb.com

DESCRIPTION: 20 CU. IN. VOL. OLD WORK BOX

ORIGINAL PROJECT NO / ( ERN NO )

SHEET NO:

REV. NO:

DRAWING NO:

/ ( )

1 OF 1

F

WSD-AC03278