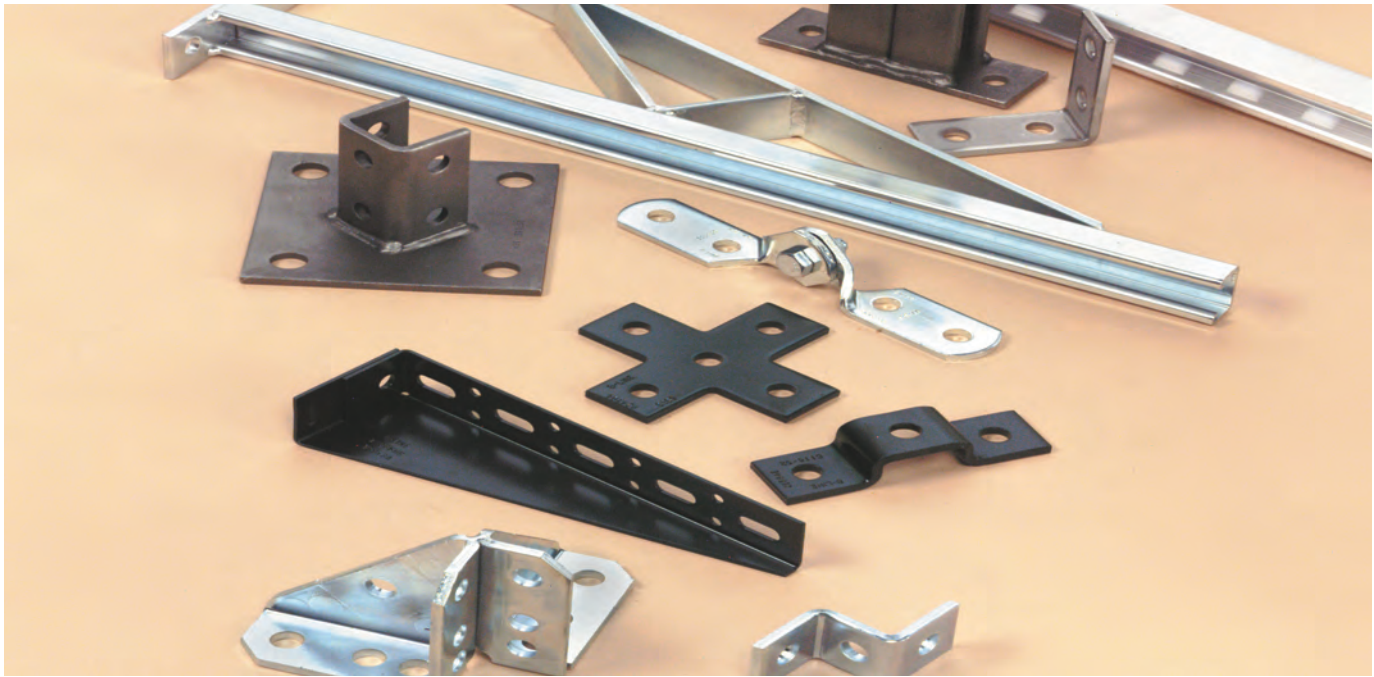


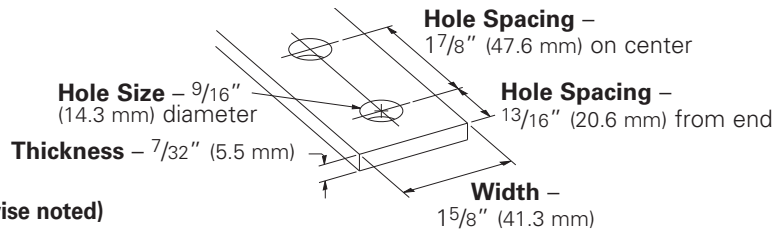
Fittings



This section offers a full selection of fittings and accessories to complete our strut system. Fittings are made from hot rolled, pickled and oiled plate or strip steel in accordance with ASTM A1018 33,000 PSI min. yield, unless noted.

Dimensions

The following dimensions apply to all fittings except as noted:



Materials & Finishes (Unless otherwise noted)

Finish Code	Finish	Specification
PLN	Plain	ASTM A1018 33,000 PSI min. yield
ZN	Electro-Plated Zinc	ASTM B633 SC3 Type III or ASTM A653
GRN	DURA GREEN™	
HDG	Hot-Dipped Galvanized	ASTM A123
SS4	Stainless Steel Type 304	ASTM A240
SS6	Stainless Steel Type 316	ASTM A240
AL	Aluminum	ASTM B209

Note: A minimum order may apply on special material and finishes.

Hardware

Nuts and bolts are not included with the fittings and must be ordered separately, unless noted.

Pre-Assembled Fittings

Some fittings are available with hex head cap screws and channel nuts pre-assembled.

These fittings and finishes will be flagged using the following symbol.



PA ^{ZN}
GRN

Metric

Metric dimensions are shown in parentheses. Unless noted, all metric dimensions are in millimeters.

Load Data

The load data published includes safety factor of 2.5 when used with 12 ga. (2.6) channel (safety factor = ratio of ultimate load to the design load).

Use 1/2"-13 x 7/8" hex head cap screws and 1/2"-13 (N225 or TN225) channel nuts for the rated results.

Recommended Bolt Torque

Bolt Size	1/4"-20	5/16"-18	3/8"-16	1/2"-13
Foot/Lbs.	6	11	19	50
Nm	8	15	26	68

See chart on page 113 for setscrew torque.

4Dimension™ Strut System Compatible

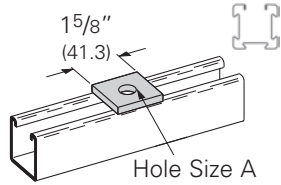
These fittings and finishes will be flagged using the following symbol.



Flat Plate Fittings

B200-B202-2

- Standard finishes: ZN, GRN, HDG, SS4, SS6, AL

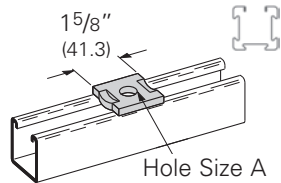


SQUARE WASHER

Part No.	A		Bolt Size		Wt./C	
	In.	mm	In.	mm	Lbs.	kg
B200	3/8"	(9.5)	5/16"	(7.9)	18	(8.1)
B201	7/16"	(11.1)	3/8"	(9.5)	18	(8.1)
B202	9/16"	(14.2)	1/2"	(12.7)	17	(7.7)
B202-1	11/16"	(17.4)	5/8"	(15.9)	16	(7.2)
B202-2	13/16"	(20.6)	3/4"	(19.0)	15	(6.8)
B202-3	15/16"	(23.8)	7/8"	(22.2)	14	(6.3)

B200D-B202-2D

- Standard finishes: ZN, GRN, HDG, SS4, SS6, AL



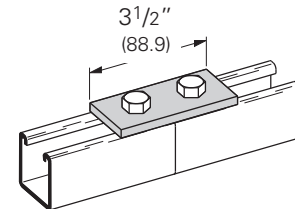
NO TWIST SQUARE WASHER

Part No.	A		Bolt Size		Wt./C	
	In.	mm	In.	mm	Lbs.	kg
B200D	3/8"	(9.5)	5/16"	(7.9)	18	(8.1)
B201D	7/16"	(11.1)	3/8"	(9.5)	18	(8.1)
B202D	9/16"	(14.2)	1/2"	(12.7)	17	(7.7)
B202-1D	11/16"	(17.4)	5/8"	(15.9)	16	(7.2)
B202-2D	13/16"	(20.6)	3/4"	(19.0)	15	(6.8)

B129

Two Hole Splice Plate

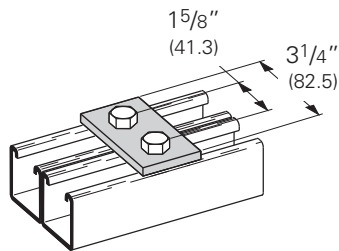
- Standard finishes: ZN, GRN
- Wt./C 37 Lbs. (16.8 kg)



B340

Two Hole Splice Plate

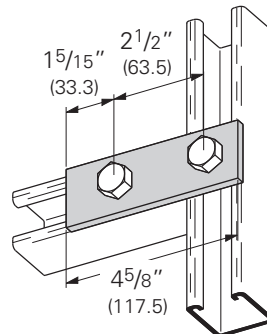
- Standard finishes: ZN, GRN
- Wt./C 34 Lbs. (15.4 kg)



B528

Two Hole Splice Plate

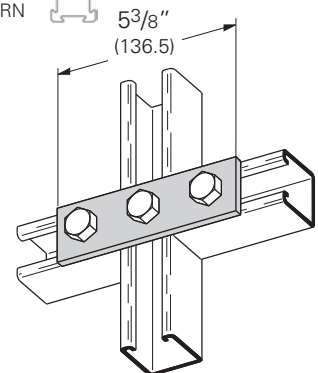
- Standard finishes: ZN, GRN
- Wt./C 50 Lbs. (22.7 kg)



B141

Three Hole Splice Plate

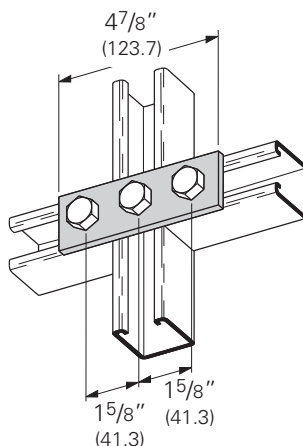
- Standard finishes: ZN, GRN
- Wt./C 55 Lbs. (24.9 kg)



B557

Three Hole Splice Plate

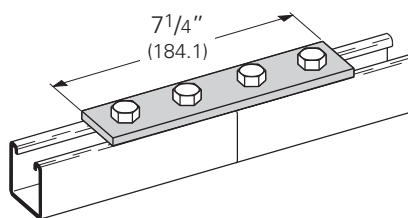
- Standard finishes: ZN, GRN
- Wt./C 50 Lbs. (22.7 kg)



B341

Four Hole Splice Plate

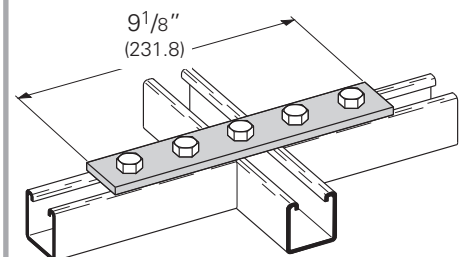
- Standard finishes: ZN, GRN, HDG
- Wt./C 76 Lbs. (34.5 kg)



B342

Five Hole Splice Plate

- Standard finishes: ZN, GRN
- Wt./C 96 Lbs. (43.5 kg)



PA Pre-assembled fitting



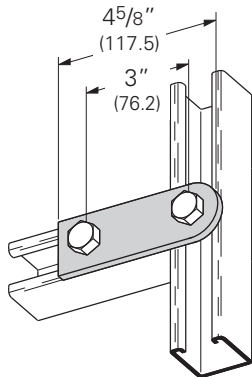
4Dimension compatible fitting

Reference page 73 for general fitting and standard finish specifications.

Flat Plate Fittings

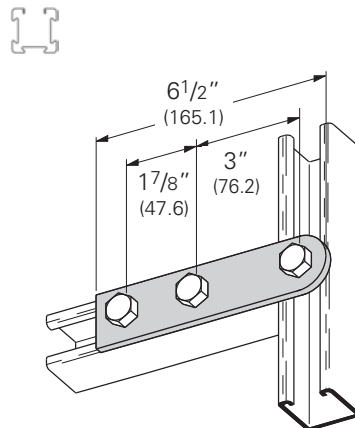
B138 Two Hole Swivel Plate

- Standard finishes: ZN, GRN
- Wt./C 48 Lbs. (21.8 kg)



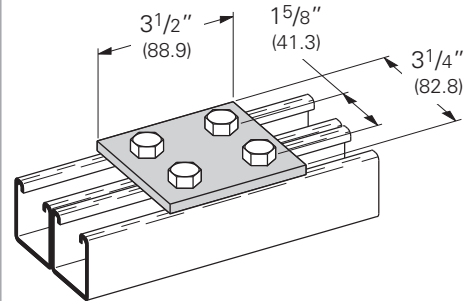
B139 Three Hole Swivel Plate

- Standard finishes: ZN, GRN
- Wt./C 69 Lbs. (31.3 kg)



B504 Four Hole Splice Plate

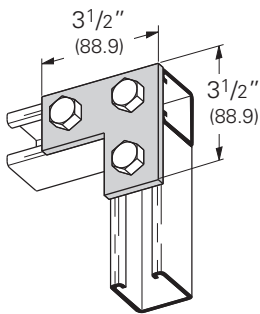
- Standard finishes: ZN, GRN
- Wt./C 73 Lbs. (33.1 kg)



B140 Three Hole Corner Plate

- Standard finishes: ZN, GRN, HDG, SS4
- Wt./C 56 Lbs. (25.4 kg)

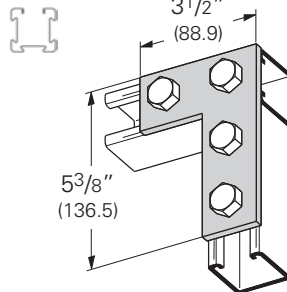
PA ZN
GRN



B143 Four Hole Corner Plate

- Standard finishes: ZN, GRN, HDG, SS4
- Wt./C 75 Lbs. (34.0 kg)

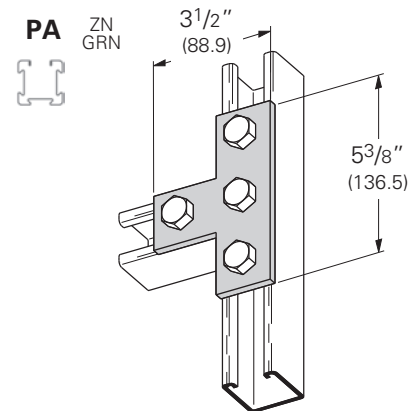
PA ZN
GRN



B133 Four Hole Tee Plate

- Standard finishes: ZN, GRN, HDG, SS4, AL
- Wt./C 75 Lbs. (34.0 kg)

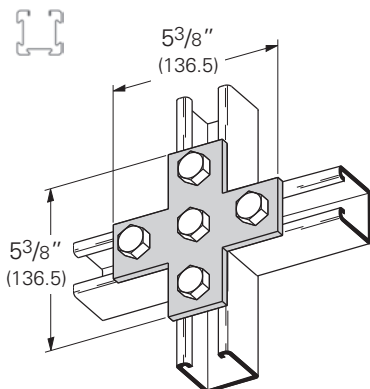
PA ZN
GRN



B132 Five Hole Cross Plate

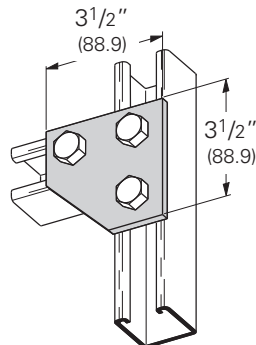
- Standard finishes: ZN, GRN, HDG
- Wt./C 100 Lbs. (45.3 kg)

PA ZN
GRN



B135 Three Hole Corner Gusset Plate

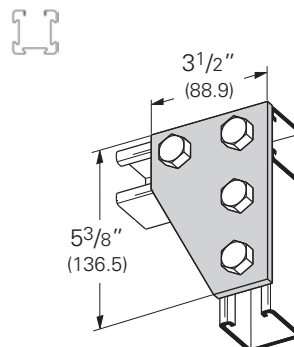
- Standard finishes: ZN, GRN
- Wt./C 70 Lbs. (31.7 kg)



B142 Four Hole Corner Gusset Plate

- Standard finishes: ZN, GRN, HDG
- Wt./C 102 Lbs. (46.2 kg)

PA ZN
GRN



PA Pre-assembled fitting

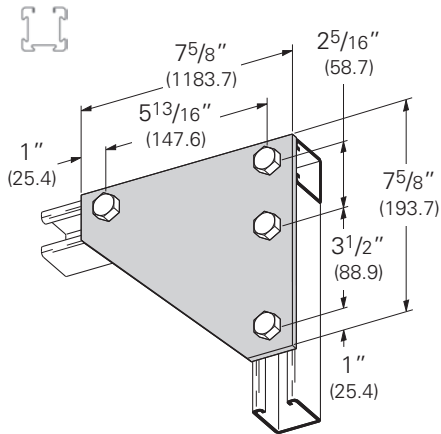
 4Dimension compatible fitting

Reference page 73 for general fitting and standard finish specifications.

Flat Plate Fittings

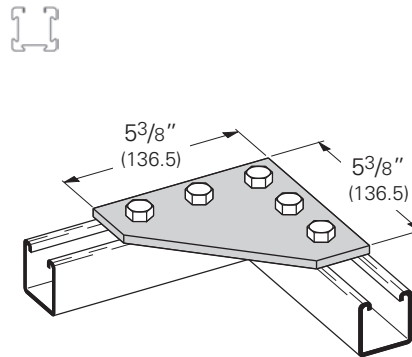
B137 Four Hole Corner Gusset Plate

- Standard finishes: ZN, GRN
- Wt./C 273 Lbs. (123.8 kg)



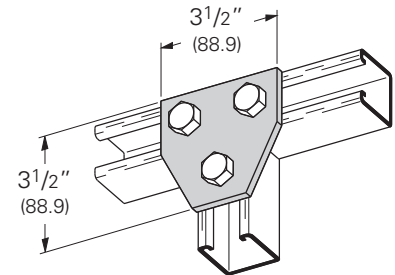
B556 Five Hole Corner Gusset Plate

- Standard finishes: ZN, GRN
- Wt./C 145 Lbs. (65.8 kg)



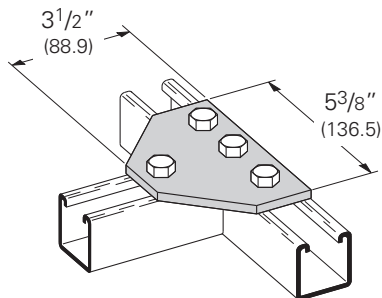
B337 Three Hole Tee Gusset Plate

- Standard finishes: ZN, GRN
- Wt./C 70 Lbs. (31.7 kg)



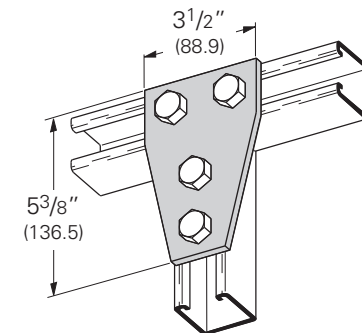
B432 Four Hole Tee Gusset Plate

- Standard finishes: ZN, GRN
- Wt./C 100 Lbs. (45.3 kg)



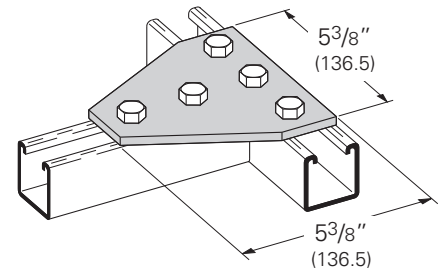
B136 Four Hole Tee Gusset Plate

- Standard finishes: ZN, GRN, HDG
- Wt./C 100 Lbs. (45.3 kg)



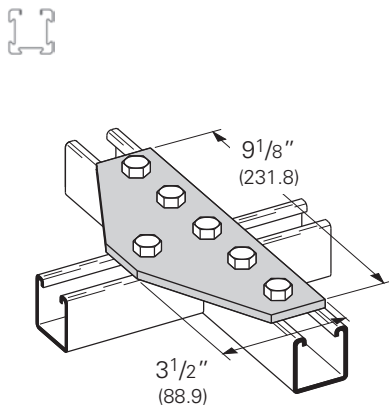
B532 Five Hole Tee Gusset Plate

- Standard finishes: ZN, GRN
- Wt./C 143 Lbs. (64.8 kg)



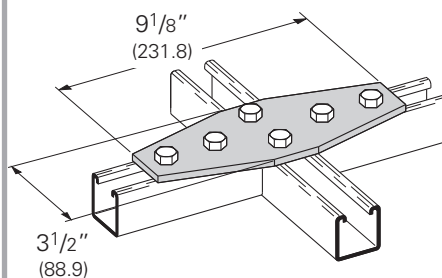
B339 Six Hole Tee Gusset Plate

- Standard finishes: ZN, GRN
- Wt./C 149 Lbs. (67.6 kg)



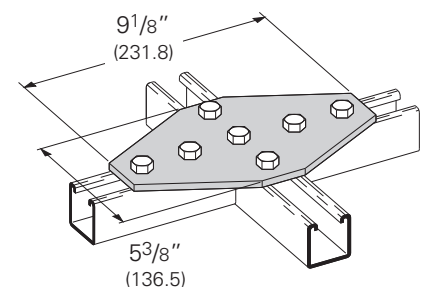
B568 Six Hole Cross Gusset Plate

- Standard finishes: ZN, GRN
- Wt./C 166 Lbs. (75.3 kg)



B334 Seven Hole Cross Gusset Plate

- Standard finishes: ZN, GRN
- Wt./C 232 Lbs. (105.2 kg)



PA Pre-assembled fitting

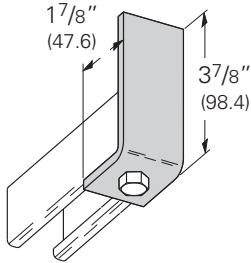
 4Dimension compatible fitting

Reference page 73 for general fitting and standard finish specifications.

90° Angle Fittings

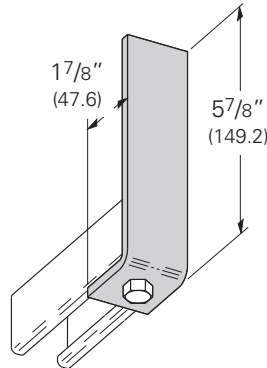
B420-378 One Hole Corner Angle

- Standard finishes: ZN, GRN
- Wt./C 60 Lbs. (27.2 kg)



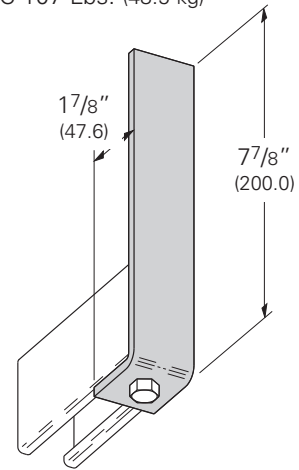
B420-578 One Hole Corner Angle

- Standard finishes: ZN, GRN
- Wt./C 85 Lbs. (38.5 kg)



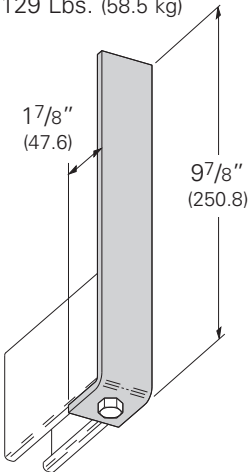
B420-778 One Hole Corner Angle

- Standard finishes: ZN, GRN
- Wt./C 107 Lbs. (48.5 kg)



B420-978 One Hole Corner Angle

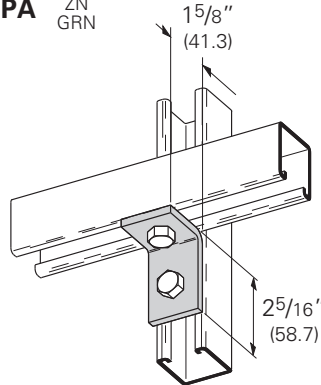
- Standard finishes: ZN, GRN
- Wt./C 129 Lbs. (58.5 kg)



B101 Two Hole Corner Angle

- Standard finishes: ZN, GRN, HDG, SS4, AL
- Wt./C 37 Lbs. (16.8 kg)

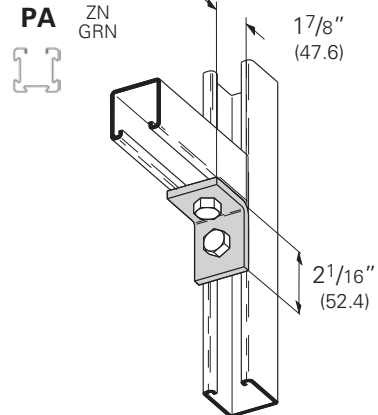
PA ZN GRN



B230 Two Hole Corner Angle

- Standard finishes: ZN, GRN, HDG, SS4, AL
- Wt./C 37 Lbs. (16.8 kg)

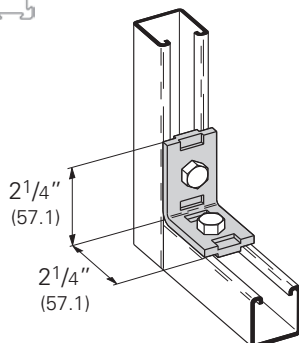
PA ZN GRN



B231 Two Hole "No-Twist" Corner Angle

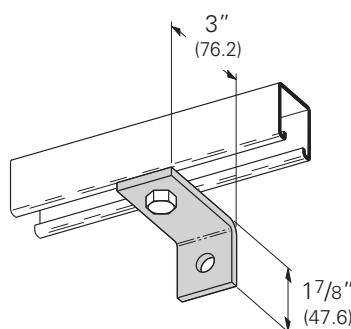
- Standard finishes: ZN, GRN, HDG
- Wt./C 41 Lbs. (18.6 kg)

PA ZN GRN



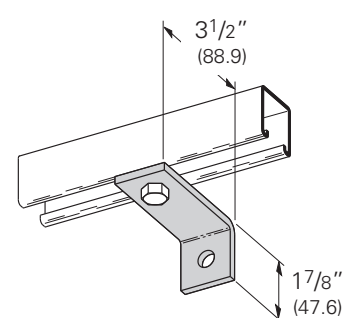
B359 Two Hole Corner Angle

- Standard finishes: ZN, GRN
- Wt./C 48 Lbs. (21.8 kg)



B360 Two Hole Corner Angle

- Standard finishes: ZN, GRN
- Wt./C 53 Lbs. (24.0 kg)



PA Pre-assembled fitting

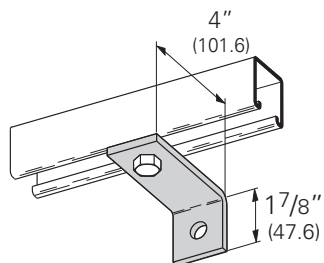


4Dimension compatible fitting

Reference page 73 for general fitting and standard finish specifications.

B361 Two Hole Corner Angle

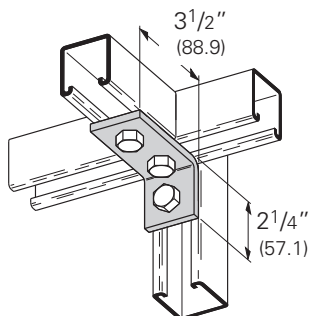
- Standard finishes: ZN, GRN
- Wt./C 60 Lbs. (27.2 kg)



B102 Three Hole Corner Angle

- Standard finishes: ZN, GRN, HDG, SS4
- Wt./C 56 Lbs. (25.4 kg)

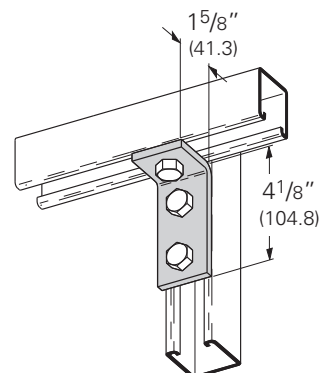
PA ZN
GRN



B103 Three Hole Corner Angle

- Standard finishes: ZN, GRN, HDG, SS4
- Wt./C 56 Lbs. (25.4 kg)

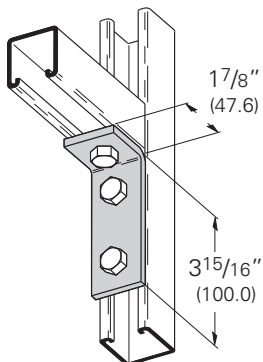
PA ZN
GRN



B232 Three Hole Corner Angle

- Standard finishes: ZN, GRN, HDG, SS4
- Wt./C 56 Lbs. (25.4 kg)

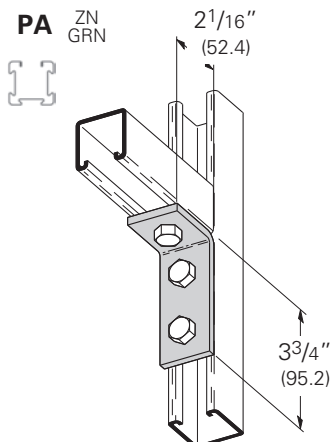
PA ZN
GRN



B374 Three Hole Corner Angle

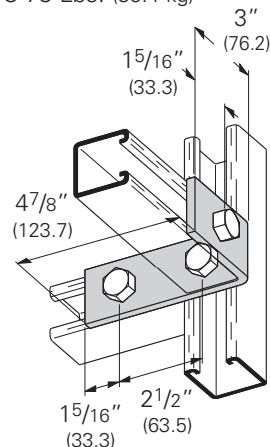
- Standard finishes: ZN, GRN, HDG
- Wt./C 56 Lbs. (25.4 kg)

PA ZN
GRN



B529 Three Hole Corner Angle

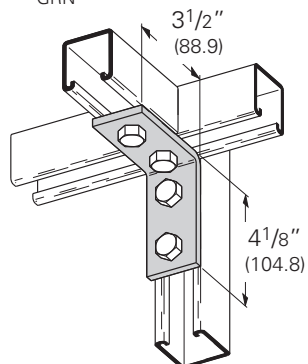
- Standard finishes: ZN, GRN
- Wt./C 78 Lbs. (35.4 kg)



B104 Four Hole Corner Angle

- Standard finishes: ZN, GRN, HDG, SS4, SS6, AL
- Wt./C 78 Lbs. (35.4 kg)

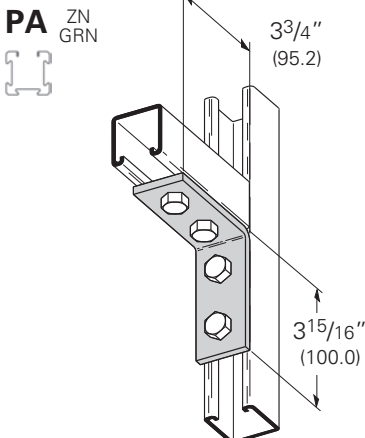
PA ZN
GRN



B115 Four Hole Corner Angle

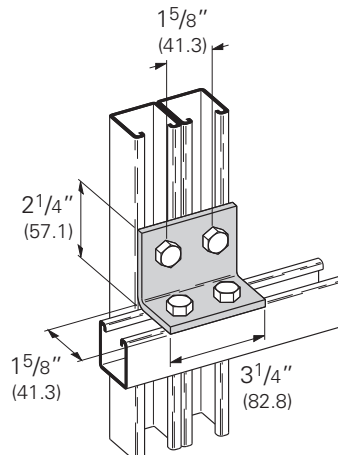
- Standard finishes: ZN, GRN, HDG, SS4, AL
- Wt./C 76 Lbs. (34.5 kg)

PA ZN
GRN



B558 Four Hole Corner Angle

- Standard finishes: ZN, GRN
- Wt./C 73 Lbs. (33.1 kg)



PA Pre-assembled fitting



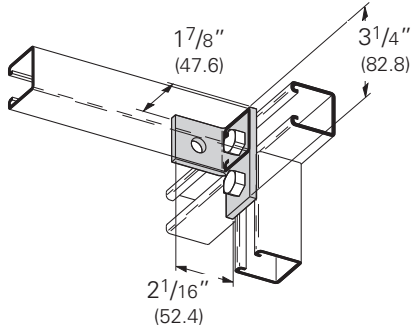
4Dimension compatible fitting

Reference page 73 for general fitting and standard finish specifications.

90° Angle Fittings

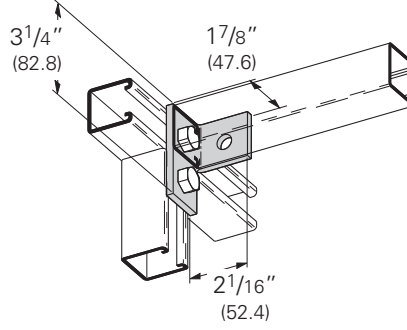
B235R Three Hole (Right Hand) Offset Bent Angle

- 1⁵/₈" (41.3) from center to center of the holes that are shown with bolt heads
- Standard finishes: ZN, GRN
- Wt./C 53 Lbs. (24.0 kg)



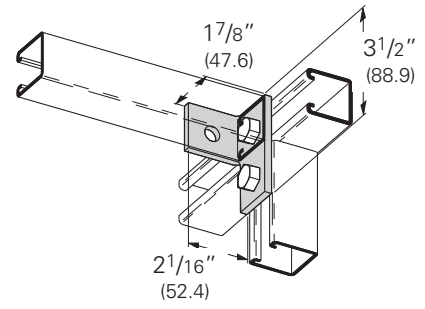
B235L Three Hole (Left Hand) Offset Bent Angle

- 1⁵/₈" (41.3) from center to center of the holes that are shown with bolt heads
- Standard finishes: ZN, GRN
- Wt./C 53 Lbs. (24.0 kg)



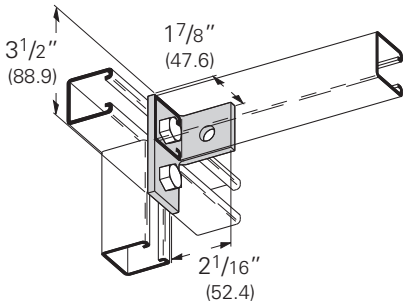
B236R Three Hole (Right Hand) Offset Bent Angle

- Standard finishes: ZN, GRN
- Wt./C 65 Lbs. (29.5 kg)



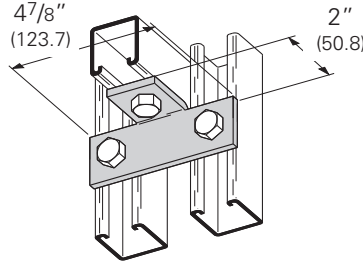
B236L Three Hole (Left Hand) Offset Bent Angle

- Standard finishes: ZN, GRN
- Wt./C 65 Lbs. (29.5 kg)



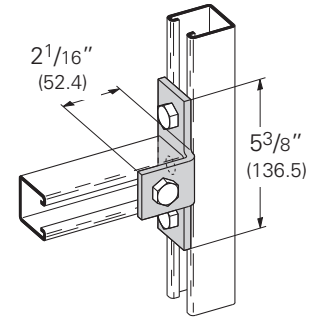
B237 Three Hole Offset Bent Tee

- Standard finishes: ZN, GRN
- Wt./C 71 Lbs. (32.2 kg)



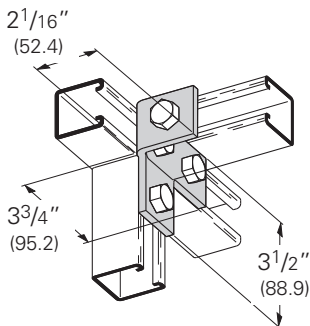
B357 Four Hole Offset Bent Tee

- Standard finishes: ZN, GRN
- Wt./C 77 Lbs. (34.9 kg)



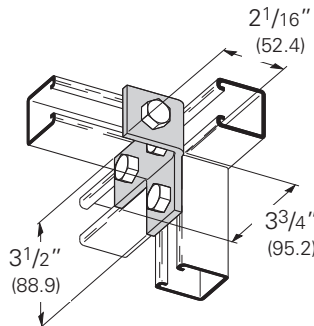
B238R Four Hole (Right Hand) Offset Bent Tee

- Standard finishes: ZN, GRN
- Wt./C 76 Lbs. (34.5 kg)



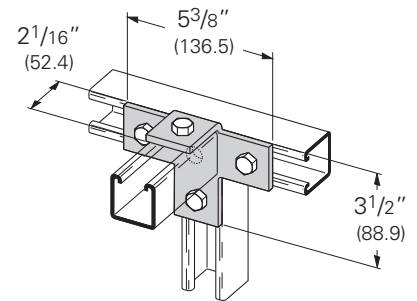
B238L Four Hole (Left Hand) Offset Bent Tee

- Standard finishes: ZN, GRN
- Wt./C 76 Lbs. (34.5 kg)



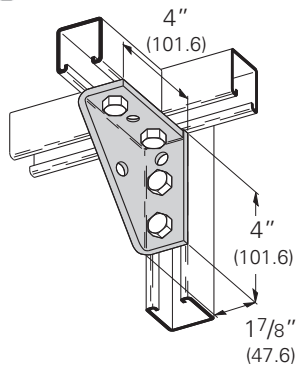
B239 Five Hole Offset Bent Tee

- Standard finishes: ZN, GRN
- Wt./C 96 Lbs. (43.5 kg)



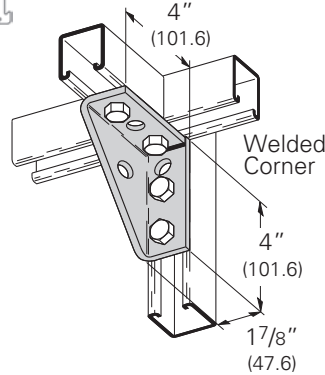
B844
Universal Shelf Bracket

- Standard finishes: ZN, GRN, HDG, SS4
- Wt./C 132 Lbs. (59.9 kg)



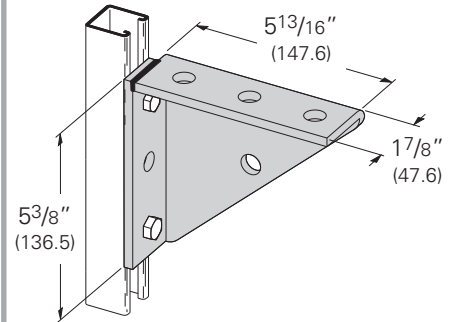
B844W
Universal Shelf Bracket - Welded

- Standard finishes: ZN, GRN
- Wt./C 134 Lbs. (60.8 kg)



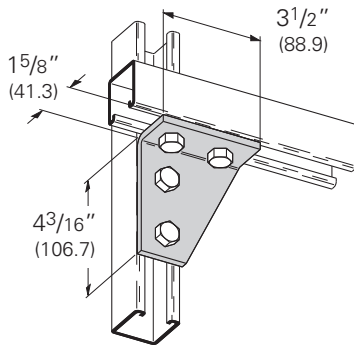
B888W
Universal Shelf Bracket - Welded

- Standard finishes: ZN, GRN
- Wt./C 197 Lbs. (89.4 kg)



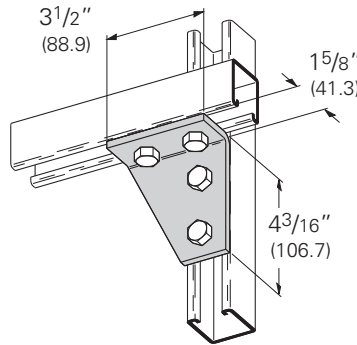
B234R
Four Hole (Right Hand) Corner Gusset

- Standard finishes: ZN, GRN, HDG
- Wt./C 100 Lbs. (45.3 kg)



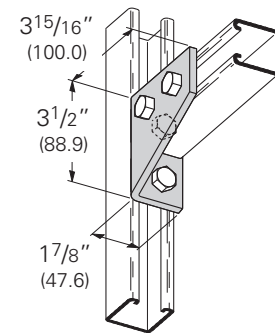
B234L
Four Hole (Left Hand) Corner Gusset

- Standard finishes: ZN, GRN, HDG
- Wt./C 100 Lbs. (45.3 kg)



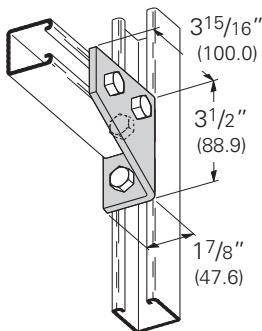
B134R
Four Hole (Right Hand) Corner Gusset

- Standard finishes: ZN, GRN
- Wt./C 100 Lbs. (45.3 kg)



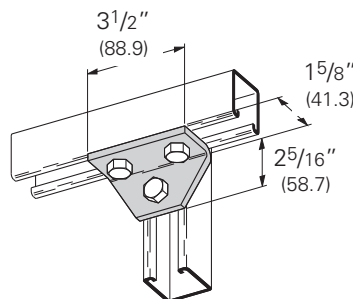
B134L
Four Hole (Left Hand) Corner Gusset

- Standard finishes: ZN, GRN
- Wt./C 100 Lbs. (45.3 kg)



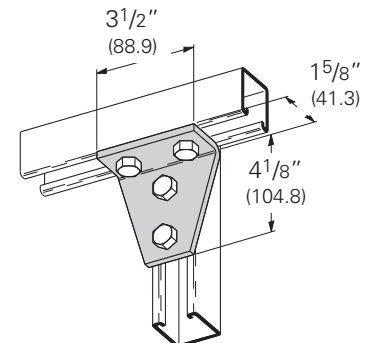
B125
Three Hole Gussetted Shelf Angle

- Standard finishes: ZN, GRN
- Wt./C 67 Lbs. (30.4 kg)



B118
Four Hole Gussetted Shelf Angle

- Standard finishes: ZN, GRN, HDG
- Wt./C 102 Lbs. (46.2 kg)



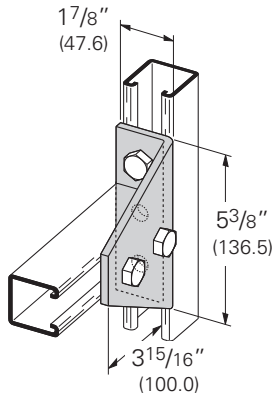
Reference page 73 for general fitting and standard finish specifications.

90° Angle Fittings

B485

Four Hole Gussetted Shelf Angle

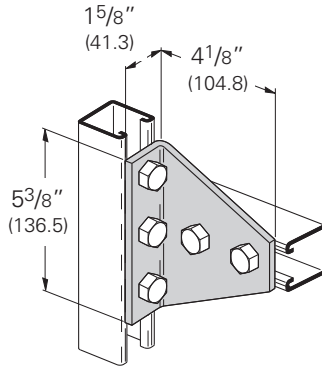
- Standard finishes: ZN, GRN
- Wt./C 148 Lbs. (67.1 kg)



B533

Five Hole Gussetted Shelf Angle

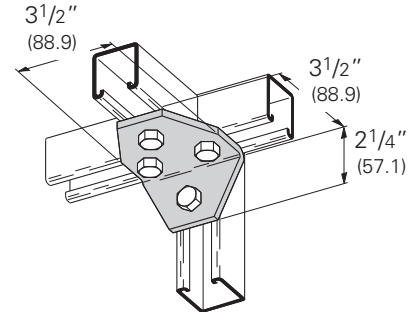
- Standard finishes: ZN, GRN
- Wt./C 141 Lbs. (63.9 kg)



B126

Four Hole Gussetted Three Way Shelf Angle

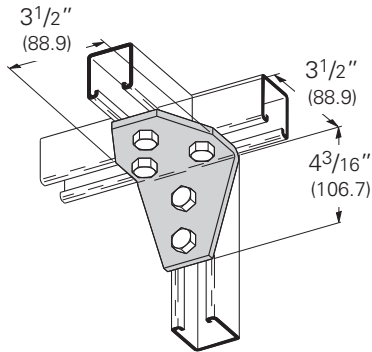
- Standard finishes: ZN, GRN
- Wt./C 101 Lbs. (45.8 kg)



B127

Five Hole Gussetted Three Way Shelf Angle

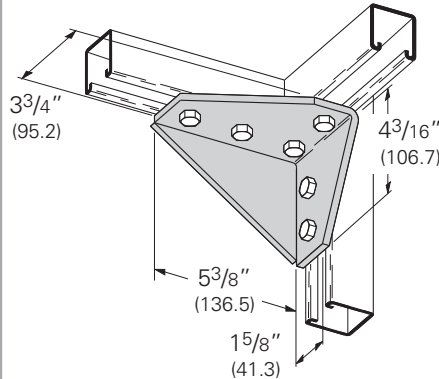
- Standard finishes: ZN, GRN
- Wt./C 135 Lbs. (61.2 kg)



B503R

Six Hole (Right Hand) Gussetted Corner Connection

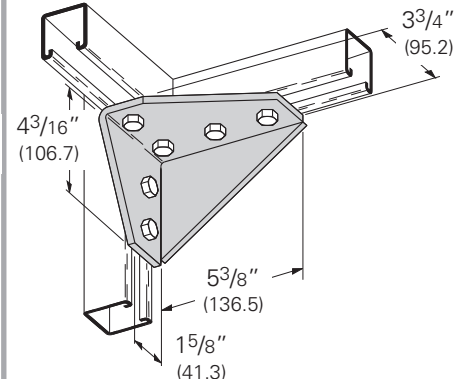
- Standard finishes: ZN, GRN
- Wt./C 229 Lbs. (103.9 kg)



B503L

Six Hole (Left Hand) Gussetted Corner Connection

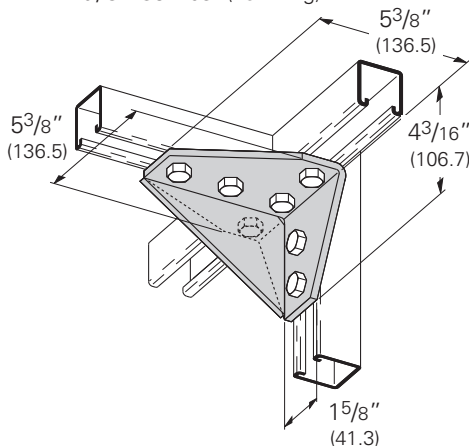
- Standard finishes: ZN, GRN
- Wt./C 229 Lbs. (103.9 kg)



B663

Seven Hole Gussetted Corner Connection

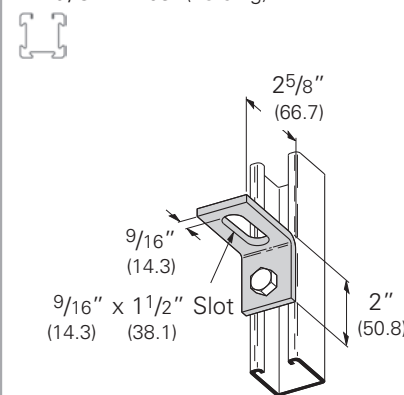
- Standard finishes: ZN, GRN
- Wt./C 289 Lbs. (131.1 kg)



B371

Two Hole Adjustable Corner Angle

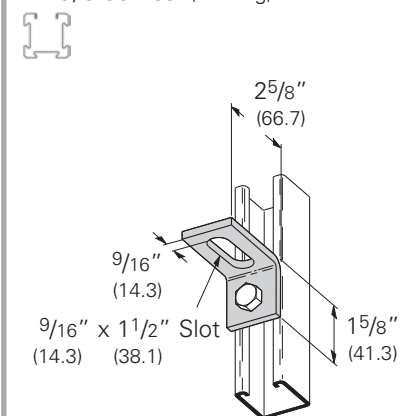
- Standard finishes: ZN, GRN
- Wt./C 41 Lbs. (18.6 kg)



B372

Two Hole Adjustable Corner Angle

- Standard finishes: ZN, GRN
- Wt./C 38 Lbs. (17.2 kg)

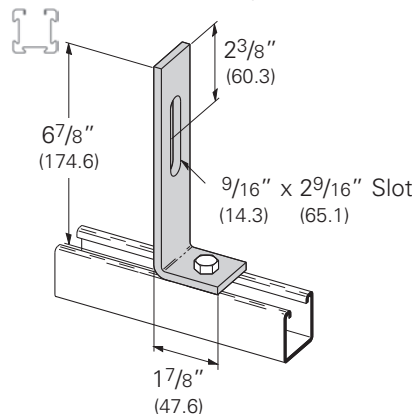


 4Dimension compatible fitting

Reference page 73 for general fitting and standard finish specifications.

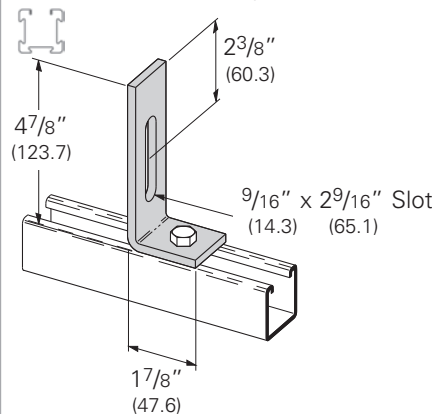
B496 Two Hole Adjustable Corner Angle

- Standard finishes: ZN, GRN
- Wt./C 85 Lbs. (38.5 kg)



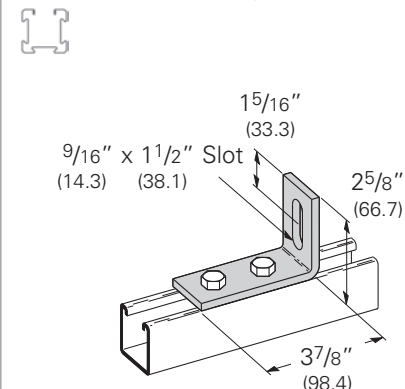
B496-1 Two Hole Adjustable Corner Angle

- Standard finishes: ZN, GRN, HDG
- Wt./C 58 Lbs. (26.3 kg)



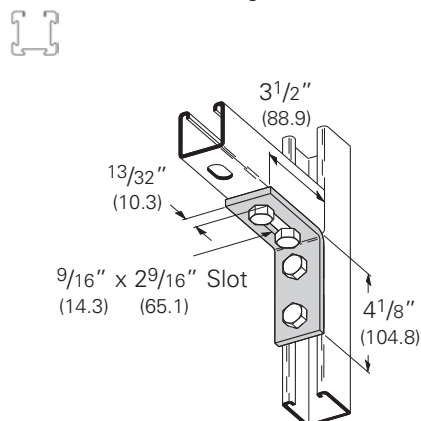
B371-2 Three Hole Adjustable Corner Angle

- Standard finishes: ZN, GRN
- Wt./C 61 Lbs. (27.6 kg)



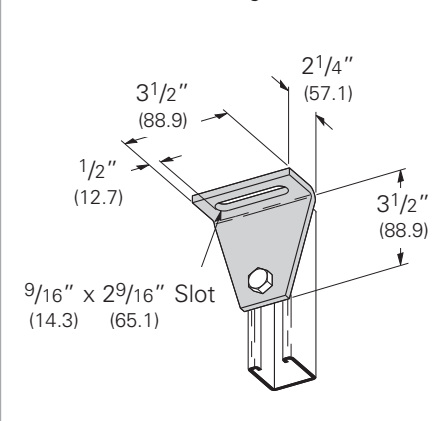
B104SH Three Hole Adjustable Corner Angle

- Standard finishes: ZN, GRN
- Wt./C 68 Lbs. (30.8 kg)



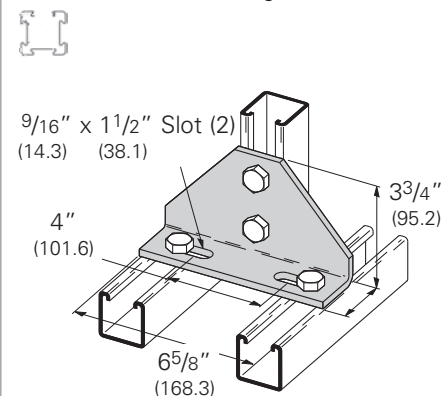
B461 Two Hole Adjustable Corner Angle

- Standard finishes: ZN, GRN
- Wt./C 87 Lbs. (39.4 kg)



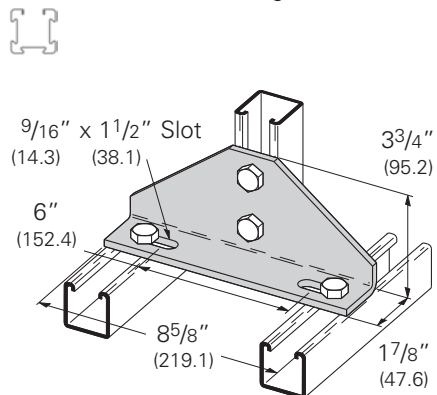
B112 Four Hole Adjustable Corner Angle

- Standard finishes: ZN, GRN
- Wt./C 180 Lbs. (81.6 kg)



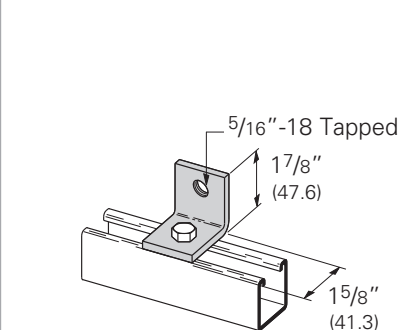
B113 Four Hole Adjustable Corner Angle

- Standard finishes: ZN, GRN
- Wt./C 256 Lbs. (116.1 kg)



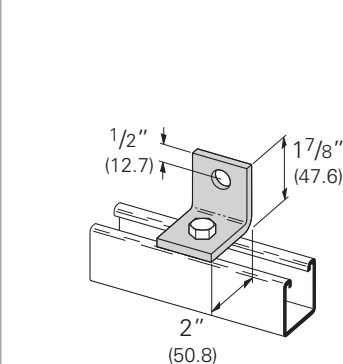
B109S Two Hole Tapped Corner Angle

- Standard finishes: ZN, GRN
- Wt./C 33 Lbs. (14.9 kg)



B521 Two Hole Bus Duct Angle

- Standard finishes: ZN, GRN
- Wt./C 37 Lbs. (16.8 kg)



4Dimension compatible fitting

Reference page 73 for general fitting and standard finish specifications.

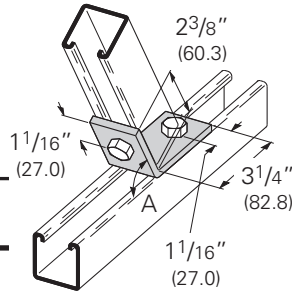
Angular Fittings

B147-B152 Two Hole Open Angle

- Standard finishes: ZN, GRN



Part No.	A	Wt./C	
		Lbs.	kg
B147	82 ¹ / ₂ °	63	(28.6)
B148	75°		
B149	67 ¹ / ₂ °		
B150	60°		
B151	52 ¹ / ₂ °		
B152	37 ¹ / ₂ °		

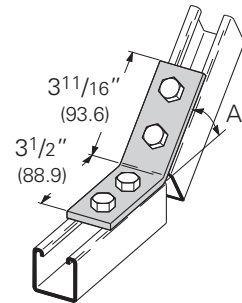


B243-B253 Four Hole Open Angle

- Standard finishes: ZN, GRN



Part No.	A	Wt./C	
		Lbs.	kg
B243	71 ¹ / ₂ °	77	(34.9)
B244	15°		
B245	22 ¹ / ₂ °		
B246	30°		
B247	37 ¹ / ₂ °		
B248	45°		
B249	52 ¹ / ₂ °		
B250	60°		
B251	67 ¹ / ₂ °		
B252	75°		
B253	82 ¹ / ₂ °		

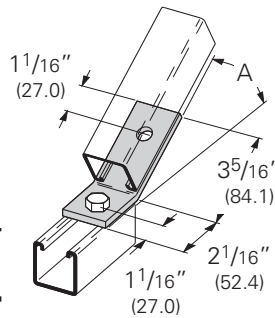


B162-B165 Two Hole Open Angle

- Standard finishes: ZN, GRN



Part No.	A	Wt./C	
		Lbs.	kg
B162	30°	59	(26.7)
B163	22 ¹ / ₂ °		
B164	15°		
B165	7 ¹ / ₂ °		

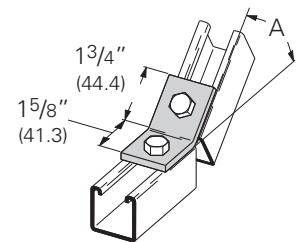


B322-B332 Two Hole Open Short Angle

- Standard finishes: ZN, GRN

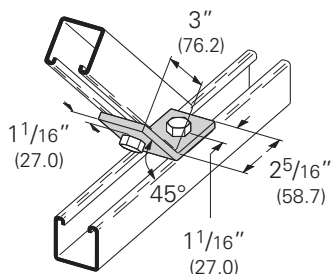


Part No.	A	Wt./C	
		Lbs.	kg
B322	71 ¹ / ₂ °	35	(15.9)
B323	15°		
B324	22 ¹ / ₂ °		
B325	30°		
B326	37 ¹ / ₂ °		
B327	45°		
B328	52 ¹ / ₂ °		
B329	60°		
B330	67 ¹ / ₂ °		
B331	75°		
B332	82 ¹ / ₂ °		



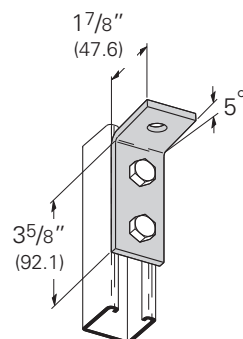
B154 Two Hole Open Angle

- Standard finishes: ZN, GRN, SS4
- Wt./C 58 Lbs. (26.3 kg)



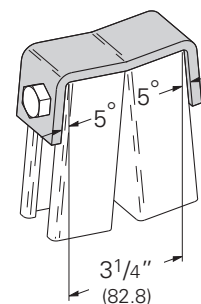
B522 Three Hole 95° Open Angle Fitting

- Standard finishes: ZN, GRN
- Wt./C 54 Lbs. (24.5 kg)



B488 Two Hole Leg Connection

- Standard finishes: ZN, GRN
- Wt./C 100 Lbs. (45.3 kg)



4Dimension compatible fitting

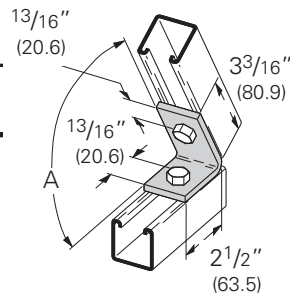
Reference page 73 for general fitting and standard finish specifications.

B156 - B161 Two Hole Closed Angle

- Standard finishes: ZN, GRN



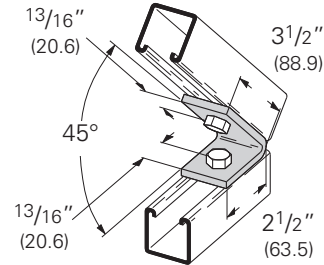
Part No.	A	Wt./C	
		Lbs.	kg
B156	82 ¹ / ₂ °	56	(25.4)
B157	75°		
B158	67 ¹ / ₂ °		
B159	60°		
B160	52 ¹ / ₂ °		
B161	37 ¹ / ₂ °		



B155 Two Hole Closed Angle

- Standard finishes: ZN, GRN, HDG, SS4
- Wt./C 63 Lbs. (28.6 kg)

PA ^{ZN}_{GRN}

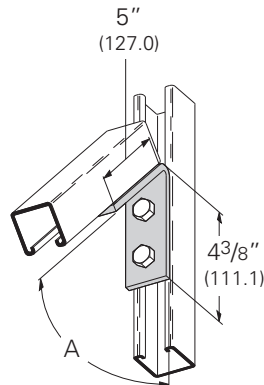


B363 - B369 Four Hole Closed Angle

- Standard finishes: ZN, GRN



Part No.	A	Wt./C	
		Lbs.	kg
B363	82 ¹ / ₂ °	95	(43.1)
B364	75°		
B365	67 ¹ / ₂ °		
B366	60°		
B367	52 ¹ / ₂ °		
B368	45°		
B369	37 ¹ / ₂ °		

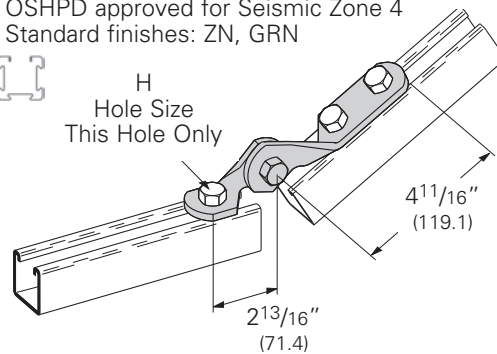


B335-2 SERIES Three Hole Adjustable Hinge

- OSHPD approved for Seismic Zone 4
- Standard finishes: ZN, GRN



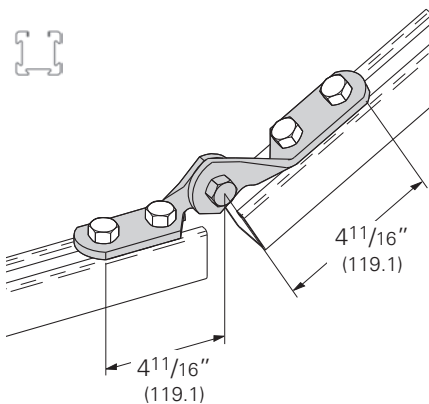
H
Hole Size
This Hole Only



Part No. & Size	Hole Size H		Wt./C	
	In.	mm	Lbs.	kg
B335-2-3/8	7/16"	(11.1)	96	(43.2)
B335-2-1/2	9/16"	(14.3)	94	(42.3)
B335-2-5/8	11/16"	(17.4)	92	(41.4)
B335-2-3/4	13/16"	(20.6)	90	(40.5)

B335 Four Hole Adjustable Hinge

- Standard finishes: ZN, GRN
- Wt./C 110 Lbs. (49.9 kg)

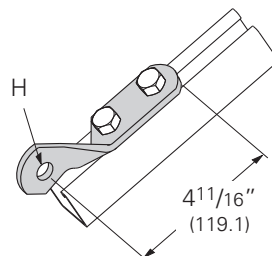


B335V Three Hole Half Hinge

- Standard finishes: ZN, GRN

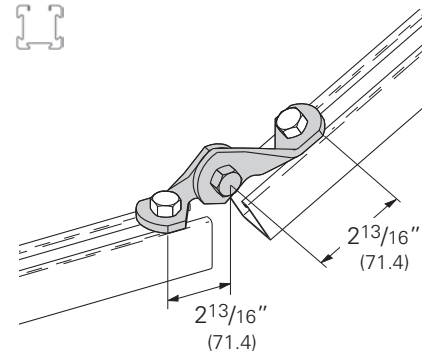


Part No. & Size	Hole Size H		Wt./C	
	In.	mm	Lbs.	kg
B335V-1/2	9/16"	(14.3)	53	(24.1)
B335V-5/8	11/16"	(17.4)	54	(24.5)
B335V-3/4	13/16"	(20.6)	55	(24.9)



B335-1 Two Hole Adjustable Hinge

- Standard finishes: ZN, GRN
- Wt./C 78 Lbs. (35.4 kg)



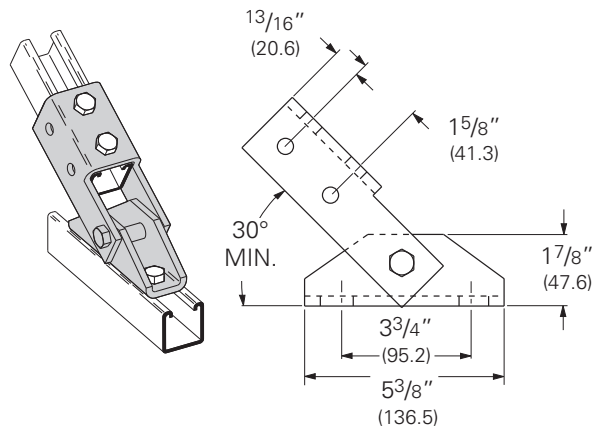
PA Pre-assembled fitting Dimension compatible fitting

Reference page 73 for general fitting and standard finish specifications.

Angular Fittings

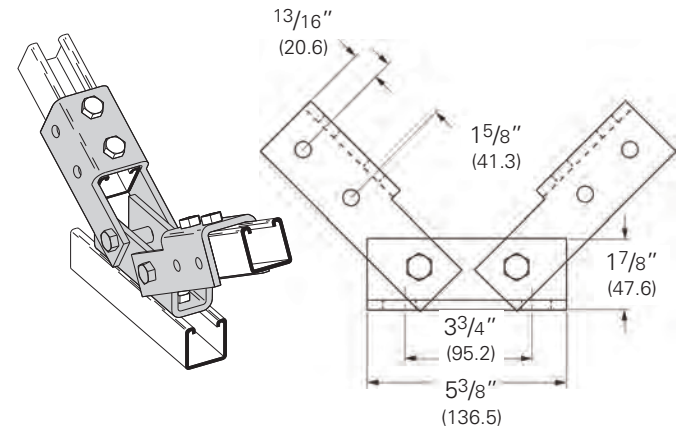
B634 Single Channel Adjustable Brace

- Standard finishes: ZN, GRN
- Wt./C 306 Lbs. (138.8 kg)



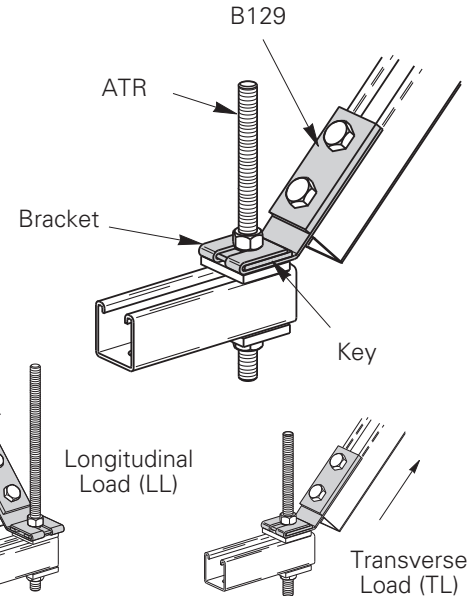
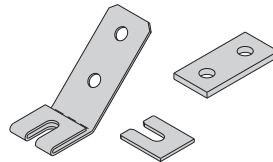
B635 Double Channel Adjustable Brace

- Standard finishes: ZN, GRN
- Wt./C 518 Lbs. (234.9 kg)



B650 SERIES Seismic Retrofit Bracket

- OSHPD approved for Seismic Zone 4.
- Available for 3/8", 1/2", 5/8", and 3/4" threaded rods.
- Allows installer to easily brace existing trapeze supports.
- Includes: Bracket, B129 plate, & key. Hardware sold separately.
- Standard finish: ZN, GRN



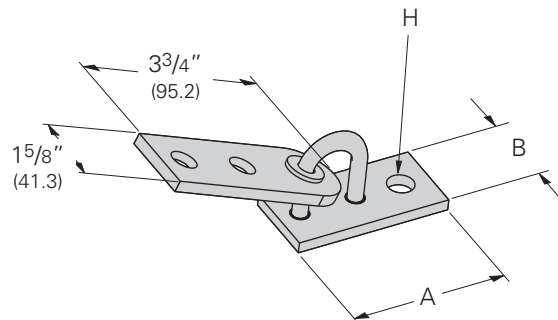
Part No. & Size	For Rod Size	TL		LL		Wt./C	
		Lbs.	kN	Lbs.	kN	Lbs.	kg
B650-3/8	3/8"	1100	(4.89)	1100	(4.89)	92	(41.4)
B650-1/2	1/2"	1500	(6.67)	1500	(6.67)	97	(43.6)
B650-5/8	5/8"	1500	(6.67)	1500	(6.67)	95	(42.7)
B650-3/4	3/4"	1500	(6.67)	1500	(6.67)	107	(48.5)

B633 Adjustable Seismic Hinge Fitting

- B633-1/2 thru B633-7/8 - OSHPD approved for Seismic Zone 4.
- Use 1/2" Bolt & Channel Nut on two hole side of Connector Fitting (Torque to 50 ft.-lbs.)
- Allows for swivel in two planes.
- Standard finish: ZN



Part No. & Size	A		B		Hole Size H		Wt./C	
	In.	mm	In.	mm	In.	mm	Lbs.	kg
B633-1/2	3 1/2"	(82.5)	1 5/8"	(41.3)	9/16"	(14.3)	92	(41.4)
B633-5/8	3 1/2"	(82.5)	1 5/8"	(41.3)	1 1/16"	(17.4)	97	(43.6)
B633-3/4	3 1/2"	(82.5)	1 5/8"	(41.3)	1 3/16"	(20.6)	95	(42.7)
B633-7/8	3 9/16"	(90.5)	2"	(50.8)	1 5/16"	(23.8)	107	(48.5)
B633-1	3 9/16"	(90.5)	2"	(50.8)	1 1/16"	(27.0)	120	(54.0)
B633-1 1/8	3 9/16"	(90.5)	2"	(50.8)	1 3/16"	(30.2)	104	(47.2)
B633-1 1/4	3 7/8"	(98.4)	2 1/4"	(57.1)	1 5/16"	(33.3)	114	(51.7)



4Dimension compatible fitting

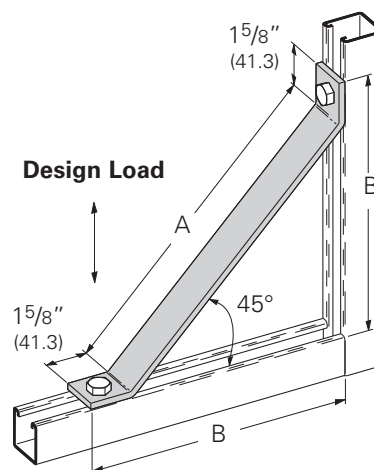
Reference page 73 for general fitting and standard finish specifications.

B261 - Two Hole 45° Knee Brace

- Standard finishes: ZN, GRN
- Design load determined by testing using a B335 hinged corner connection.
- Load ratings are for brace members only. Do not exceed allowable beam or column loads for strut channels.
- Safety Factor of 3



Part No.	A		B		Design Load		Wt./C	
	In.	mm	In.	mm	Lbs.	kN	Lbs.	kg
B261-8	8"	(203.2)	7 ³ / ₈ "	(187.3)	1500	(6.67)	119	(54.0)
B261-12	12"	(304.8)	10 ¹ / ₈ "	(257.2)	1020	(4.54)	165	(74.8)
B261-16	16 ⁵ / ₈ "	(422.3)	13 ³ / ₈ "	(339.7)	530	(2.36)	218	(98.9)
B261-18	18"	(457.2)	14 ⁷ / ₁₆ "	(366.7)	450	(2.00)	234	(106.1)
B261-24	24"	(609.6)	18 ¹¹ / ₁₆ "	(474.7)	250	(1.11)	303	(137.4)
B261-36	36"	(914.4)	27 ³ / ₁₆ "	(690.6)	110	(.49)	441	(200.0)

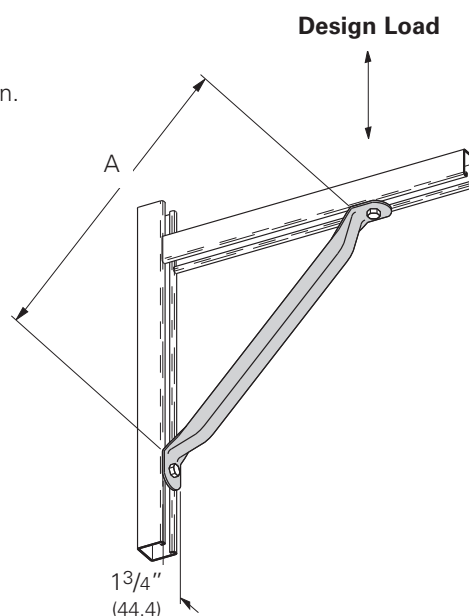


B631 - Two Hole 45° Tubing Knee Brace

- 1" (25.4) Square steel tubing
- Material: ASTM A513
- Standard finishes: ZN, GRN
- Design load determined by testing using a B335 hinged corner connection.
- Load ratings are for brace members only. Do not exceed allowable beam or column loads for strut channels.
- Safety Factor of 3



Part No.	A		Design Load		Wt./C	
	In.	mm	Lbs.	kN	Lbs.	kg
B631-18	18"	(457.2)	1500	(6.67)	145	(65.8)
B631-24	24"	(609.6)	1500	(6.67)	186	(84.4)
B631-30	30"	(762.0)	1500	(6.67)	225	(102.0)
B631-36	36"	(914.4)	1500	(6.67)	266	(120.6)
B631-42	42"	(1066.8)	1230	(5.47)	307	(139.2)
B631-48	48"	(1219.2)	940	(4.18)	348	(157.8)
B631-54	54"	(1371.6)	740	(3.29)	389	(176.4)
B631-60	60"	(1524.0)	600	(2.67)	430	(195.0)
B631-72	72"	(1828.8)	420	(1.87)	508	(230.4)
B631-84	84"	(2133.6)	310	(1.38)	589	(267.2)
B631-96	96"	(2438.4)	240	(1.07)	669	(303.5)

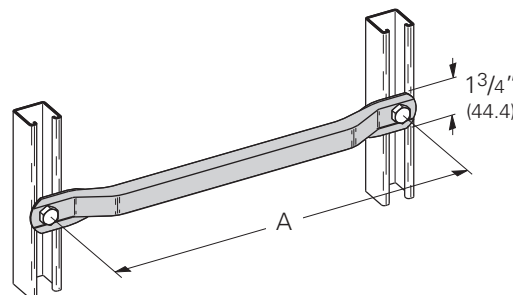


B632 - Two Hole Straight Tubing Brace

- 1" (25.4) Square steel tubing
- Material: ASTM A513
- Standard finishes: ZN, GRN



Part No.	A		Wt./C	
	In.	mm	Lbs.	kg
B632-18	18"	(457.2)	133	(60.3)
B632-24	24"	(609.6)	174	(78.9)
B632-30	30"	(762.0)	215	(97.5)
B632-36	36"	(914.4)	256	(116.1)
B632-42	42"	(1066.8)	295	(133.8)
B632-48	48"	(1219.2)	335	(151.9)
B632-54	54"	(1371.6)	380	(172.3)
B632-60	60"	(1524.0)	420	(190.5)
B632-72	72"	(1828.8)	500	(226.8)
B632-84	84"	(2133.6)	585	(265.3)
B632-96	96"	(2438.4)	670	(303.9)



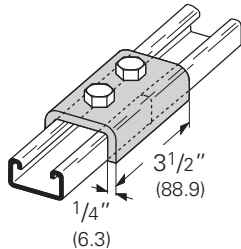
 4Dimension compatible fitting

Reference page 73 for general fitting and standard finish specifications.

Clevis Fittings

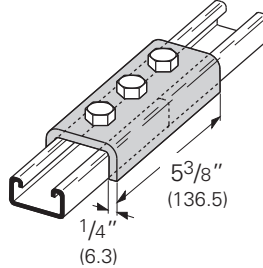
B169 Two Hole Splice Clevis For B52

- Standard finishes: ZN, GRN
- Wt./C 84 Lbs. (38.1 kg)



B168 Three Hole Splice Clevis For B52

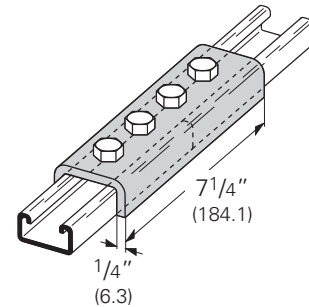
- Standard finishes: ZN, GRN
- Wt./C 126 Lbs. (57.1 kg)



B167 Four Hole Splice Clevis For B52

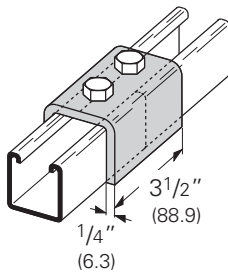
- Standard finishes: ZN, GRN
- Wt./C 178 Lbs. (80.7 kg)

PA GRN



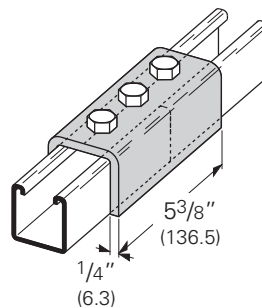
B170 Two Hole Splice Clevis For B22 or B52A

- Standard finishes: ZN, GRN
- Wt./C 123 Lbs. (55.8 kg)



B171 Three Hole Splice Clevis For B22 or B52A

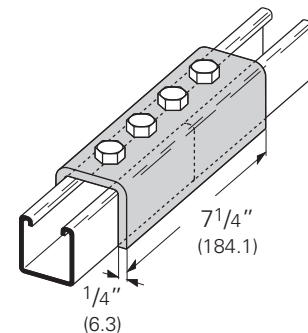
- Standard finishes: ZN, GRN
- Wt./C 195 Lbs. (88.4 kg)



B172 Four Hole Splice Clevis For B22 or B52A

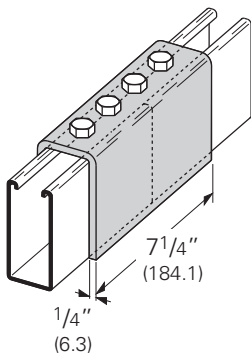
- Standard finishes: ZN, GRN
- Wt./C 266 Lbs. (120.6 kg)

PA ZN
GRN



B172-12 Four Hole Splice Clevis For B12

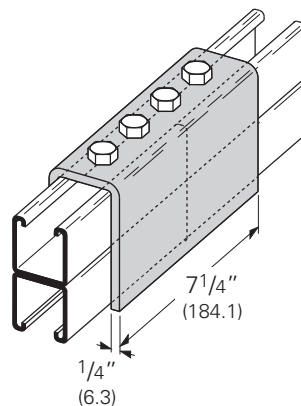
- Standard finishes: ZN, GRN
- Wt./C 326 Lbs. (147.8 kg)



B172-22A Four Hole Splice Clevis For B11 or B22A

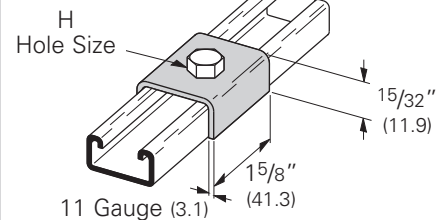
- Standard finishes: ZN, GRN
- Wt./C 406 Lbs. (184.1 kg)

PA GRN



B450 U-Washer

- Material: ASTM A1011 HSLAS Gr. 50
- Standard finishes: ZN, GRN



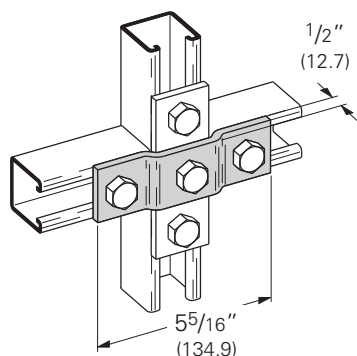
Part No. & Size	Hole Size H		Wt./C	
	Lbs.	kg	Lbs.	kg
B450-1/4	5/16"	(7.9)	14	(6.3)
B450-3/8	7/16"	(11.1)	14	(6.3)
B450-1/2	9/16"	(14.3)	13	(5.8)
B450-5/8	11/16"	(17.4)	13	(5.8)
B450-3/4	13/16"	(20.6)	13	(5.8)

PA Pre-assembled fitting.

Reference page 73 for general fitting and standard finish specifications.

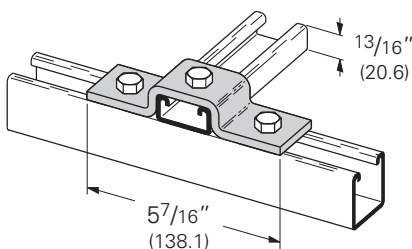
B527
Three Hole Offset Plate Connection

- Standard finishes: ZN, GRN
- Wt./C 54 Lbs. (24.5 kg)



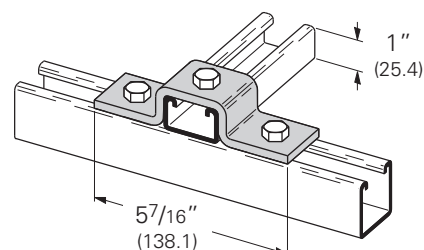
B116-52
Three Hole U-Support

- Standard finishes: ZN, GRN
- Wt./C 70 Lbs. (31.7 kg)



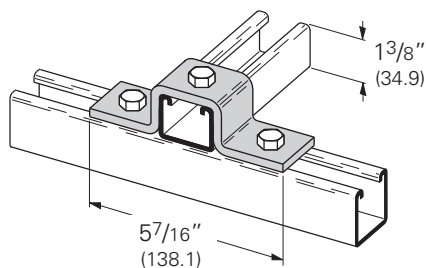
B116-42
Three Hole U-Support

- Standard finishes: ZN, GRN
- Wt./C 75 Lbs. (34.0 kg)



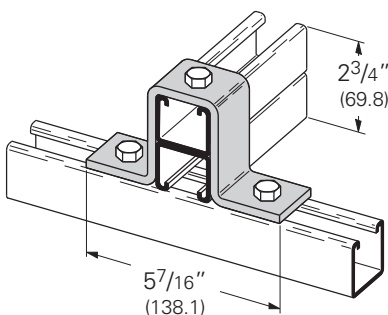
B116-32
Three Hole U-Support

- Standard finishes: ZN, GRN
- Wt./C 84 Lbs. (38.1 kg)



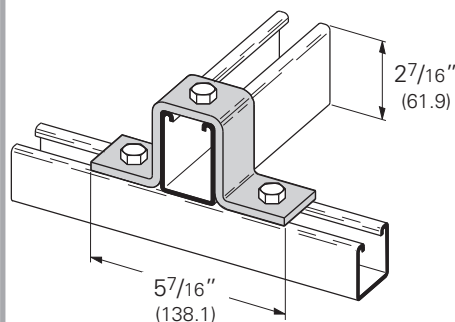
B116-32A
Three Hole U-Support

- Standard finishes: ZN, GRN
- Wt./C 116 Lbs. (52.6 kg)



B116-12
Three Hole U-Support

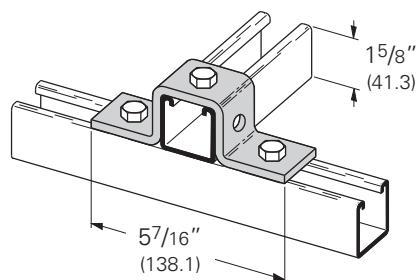
- Standard finishes: ZN, GRN
- Wt./C 108 Lbs. (49.0 kg)



B107
Five Hole U-Support

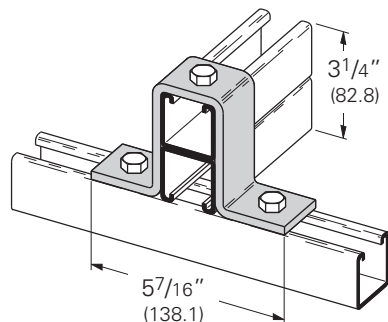
- Standard finishes: ZN, GRN, HDG
- Wt./C 85 Lbs. (38.5 kg)

PA ZN
GRN



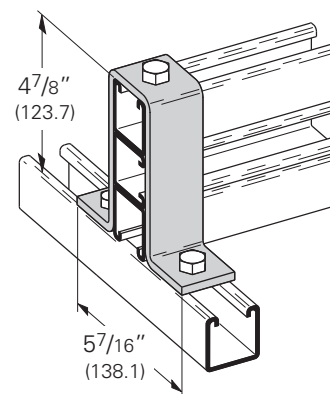
B107-22A
Three Hole U-Support

- Standard finishes: ZN, GRN
- Wt./C 126 Lbs. (57.1 kg)



B588
Three Hole U-Support

- Standard finishes: ZN, GRN
- Wt./C 157 Lbs. (71.2 kg)



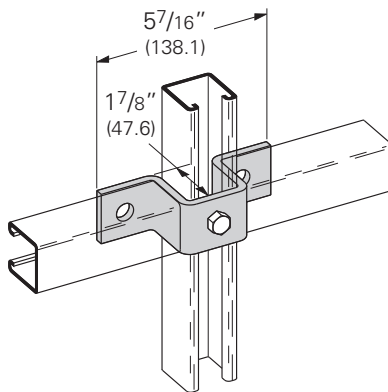
PA Pre-assembled fitting.

Reference page 73 for general fitting and standard finish specifications.

'U' Fittings

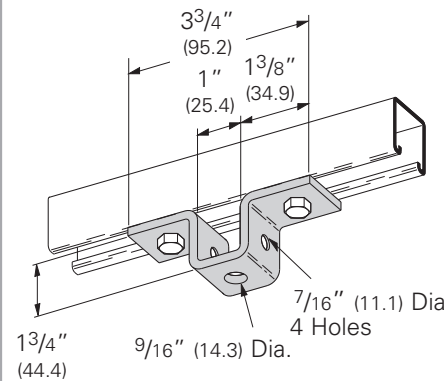
B412 Three Hole Offset U-Support

- Standard finishes: ZN, GRN
- Wt./C 89 Lbs. (40.3 kg)



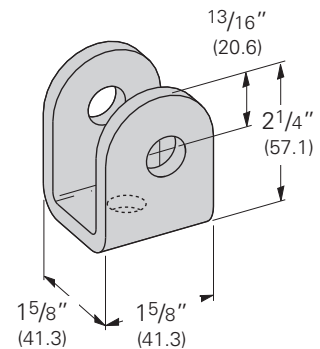
B107S Five Hole U-Support

- Material: 7 Gauge (4.5)
ASTM A1011 33,000 PSI min. yield
- Standard finishes: ZN, GRN
- Wt./C 51 Lbs. (23.1 kg)



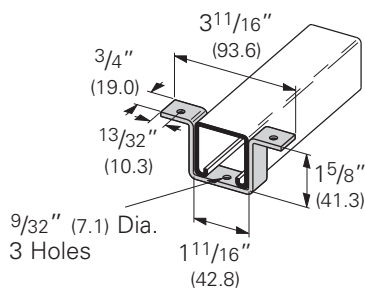
B596 Three Hole Swivel Clevis

- Material: 7 Gauge (4.5)
- Standard finishes: ZN, GRN
- Wt./C 53 Lbs. (24.0 kg)



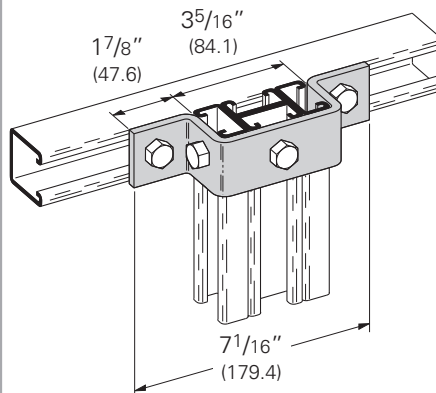
B578 Three Hole Light-Weight U-Support

- Material: 10 Gauge (3.4)
ASTM A1011 HSLAS Gr. 50
- Standard finishes: ZN, GRN
- Wt./C 18 Lbs. (8.1 kg)



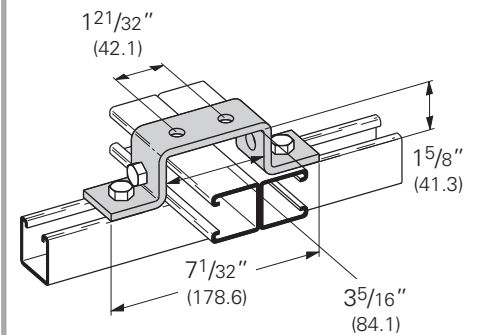
B594 Five Hole U-Support

- Standard finishes: ZN, GRN
- Wt./C 106 Lbs. (48.1 kg)



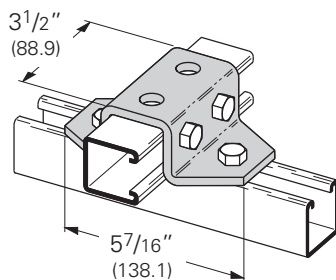
B266 Six Hole U-Support

- Standard finishes: ZN, GRN
- Wt./C 105 Lbs. (47.6 kg)



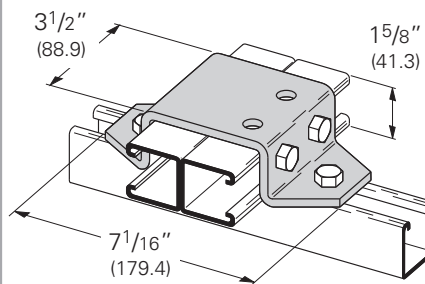
B425 Six Hole U-Support

- Standard finishes: ZN, GRN
- Wt./C 167 Lbs. (75.7 kg)



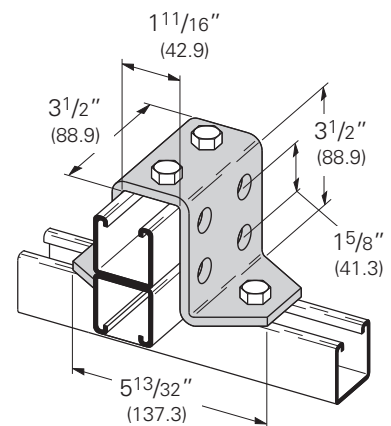
B581 Eight Hole U-Support

- Standard finishes: ZN, GRN
- Wt./C 201 Lbs. (91.2 kg)



B519 Eight Hole U-Support

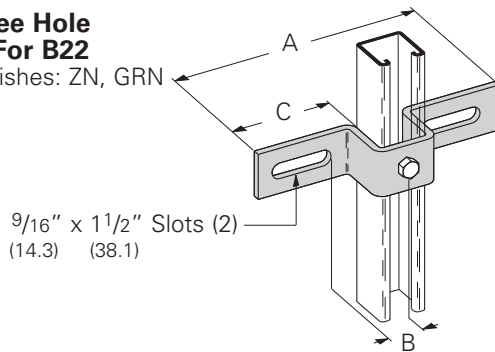
- Standard finishes: ZN, GRN
- Wt./C 266 Lbs. (102.5 kg)



'U' Fittings

B333 Slotted Three Hole U-Support For B22

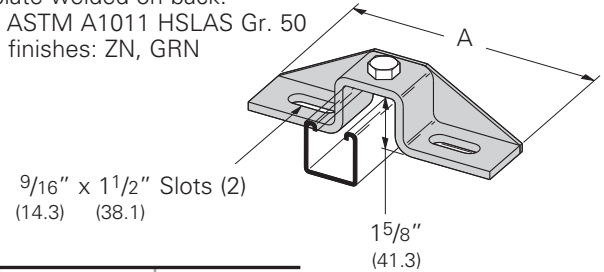
- Standard finishes: ZN, GRN



Part No.	A		B		C		Wt./C	
	In.	mm	In.	mm	In.	mm	Lbs.	kg
B333-1	7 ¹ / ₂ "	(190.5)	1 ⁵ / ₁₆ "	(33.3)	2 ⁷ / ₈ "	(73.0)	103	(46.7)
B333-2	8 ¹ / ₂ "	(215.9)	1 ¹⁵ / ₁₆ "	(49.2)	3 ³ / ₈ "	(85.7)	115	(52.1)
B333-3	10 ³ / ₈ "	(263.5)	2 ⁷ / ₈ "	(73.0)	4 ⁵ / ₁₆ "	(109.5)	135	(61.2)

B451 Slotted Three Hole U-Support With Gusset For B22

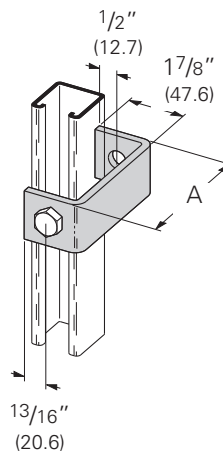
- Consists of B333-1, 2, or 3 with gusset plate welded on back.
- Material: ASTM A1011 HSLAS Gr. 50
- Standard finishes: ZN, GRN



Part No.	A		Wt./C	
	In.	mm	Lbs.	kg
B451-1	7 ¹ / ₂ "	(190.5)	137	(62.1)
B451-2	8 ¹ / ₂ "	(215.9)	156	(70.7)
B451-3	10 ³ / ₈ "	(263.5)	172	(78.0)

B408 Two Hole Bus Duct Clevis

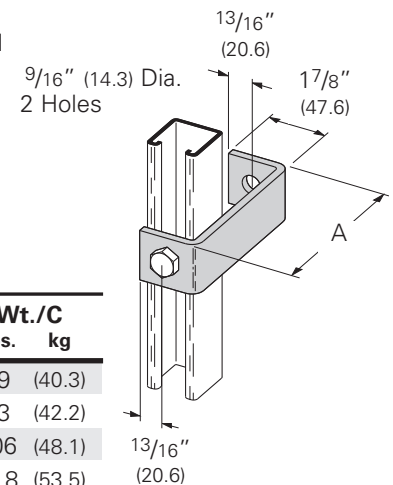
- Standard finishes: ZN, GRN



Part No.	A		Wt./C	
	In.	mm	Lbs.	kg
B408-1	2 ¹³ / ₃₂ "	(61.1)	58	(26.3)
B408-2	3 ²⁵ / ₃₂ "	(96.0)	76	(34.5)
B408-3	4 ³ / ₄ "	(762.0)	88	(39.9)

B358 Two Hole Clevis

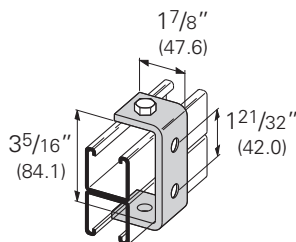
- Standard finishes: ZN, GRN



Part No.	A		Wt./C	
	In.	mm	Lbs.	kg
B358-4	4"	(101.6)	89	(40.3)
B358-5	5"	(127.0)	93	(42.2)
B358-6	6"	(152.4)	106	(48.1)
B358-7	7"	(177.8)	118	(53.5)
B358-8	8"	(203.2)	132	(59.9)

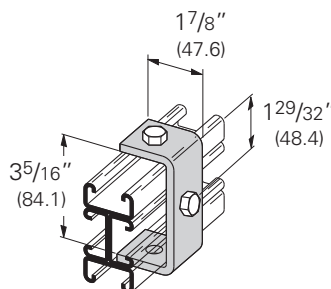
B173 Four Hole Clevis

- Standard finishes: ZN, GRN
- Wt./C 71 Lbs. (32.2 kg)



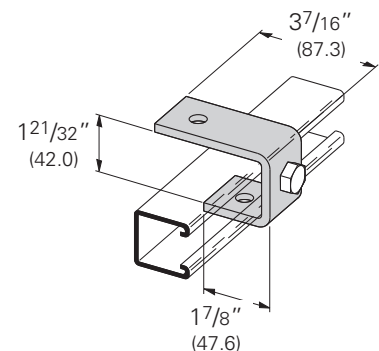
B595 Three Hole Clevis

- Standard finishes: ZN, GRN
- Wt./C 75 Lbs. (34.0 kg)



B405 Three Hole Suspension Clevis

- Standard finishes: ZN, GRN
- Wt./C 75 Lbs. (34.0 kg)

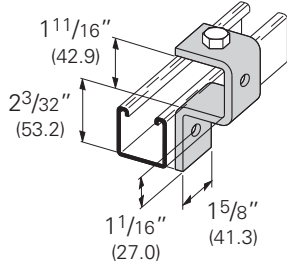


Reference page 73 for general fitting and standard finish specifications.

'U' Fittings

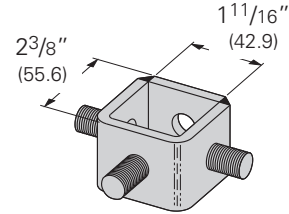
B398-1 Three Hole Cup Support

- Standard finishes: ZN, GRN
- Wt./C 73 Lbs. (33.1 kg)



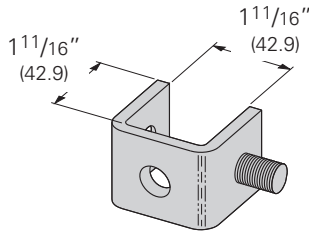
B400 Three Stud Ring Connection

- 1/2"-13 stud protrudes 1" (25.4mm)
- Standard finishes: ZN
- Wt./C 85 Lbs. (38.5 kg)



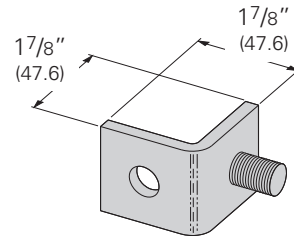
B400-1 One Stud Ring Connection

- 1/2"-13 stud protrudes 1" (25.4mm)
- Standard finishes: ZN
- Wt./C 53 Lbs. (24.0 kg)



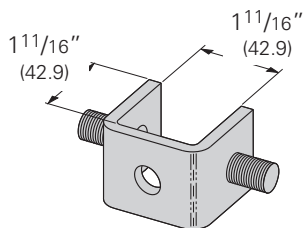
B400-2 One Stud Ring Connection

- 1/2"-13 stud protrudes 1" (25.4mm)
- Standard finishes: ZN
- Wt./C 40 Lbs. (18.1 kg)



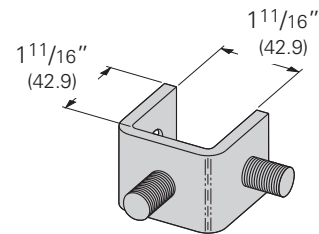
B400-3 Two Stud Ring Connection

- 1/2"-13 stud protrudes 1" (25.4mm)
- Standard finishes: ZN
- Wt./C 59 Lbs. (26.7 kg)



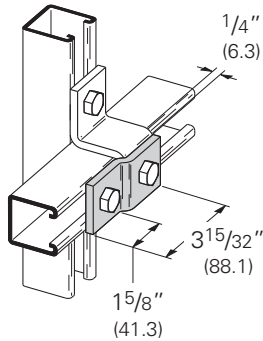
B400-4 Two Stud Ring Connection

- 1/2"-13 stud protrudes 1" (25.4mm)
- Standard finishes: ZN
- Wt./C 59 Lbs. (26.7 kg)



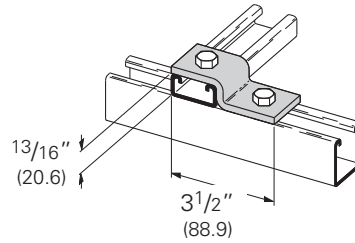
B526 Two Hole Offset Z-Support

- Standard finishes: ZN, GRN
- Wt./C 38 Lbs. (17.2 kg)



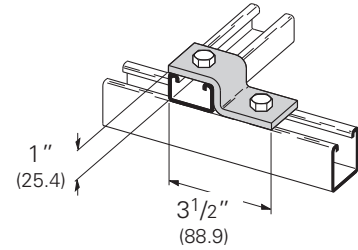
B106-52 Two Hole Offset Z-Support for B52

- Standard finishes: ZN, GRN
- Wt./C 40 Lbs. (18.1 kg)



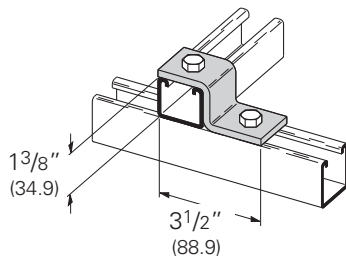
B106-42 Two Hole Offset Z-Support for B42

- Standard finishes: ZN, GRN
- Wt./C 44 Lbs. (20.0 kg)



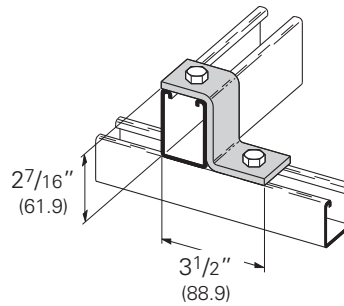
B106-32 Two Hole Offset Z-Support for B32

- Standard finishes: ZN, GRN
- Wt./C 51 Lbs. (23.1 kg)



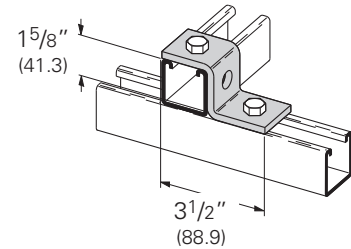
B106-12 Two Hole Offset Z-Support for B12

- Standard finishes: ZN, GRN
- Wt./C 63 Lbs. (28.6 kg)



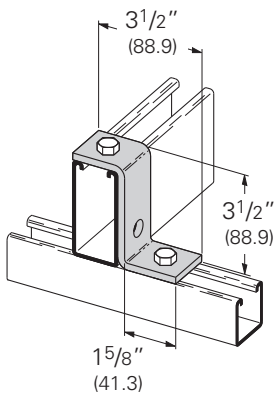
B105 Three Hole Offset Z-Support for B22

- Standard finishes: ZN, GRN, HDG
- Wt./C 51 Lbs. (23.1 kg)



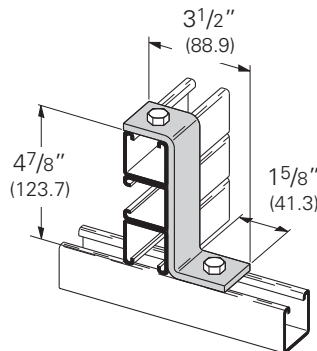
B110 Three Hole Offset Z-Support for B11

- Standard finishes: ZN, GRN
- Wt./C 70 Lbs. (31.7 kg)



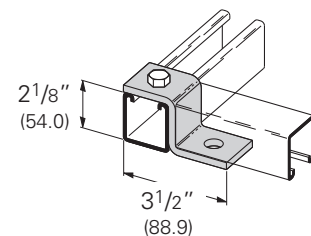
B586 Two Hole Z-Support

- Standard finishes: ZN, GRN
- Wt./C 90 Lbs. (40.8 kg)



B108 Two Hole Offset Z-Support

- Standard finishes: ZN, GRN
- Wt./C 55 Lbs. (24.9 kg)

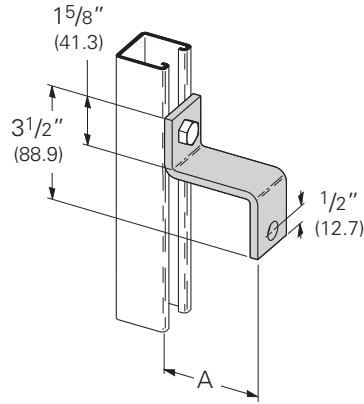


Reference page 73 for general fitting and standard finish specifications.

'Z' Fittings

B387 Two Hole Z-Bus Duct Connection

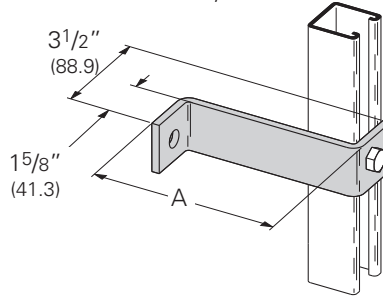
- Standard finishes: ZN, GRN



Part No.	A		Wt./C	
	In.	mm	Lbs.	kg
B387	4 ³ / ₄ "	(120.6)	89	(40.3)
B387-1	3 ²⁵ / ₃₂ "	(96.0)	78	(35.4)
B387-2	2 ¹³ / ₃₂ "	(61.1)	62	(28.1)

B407 Two Hole Z-Support

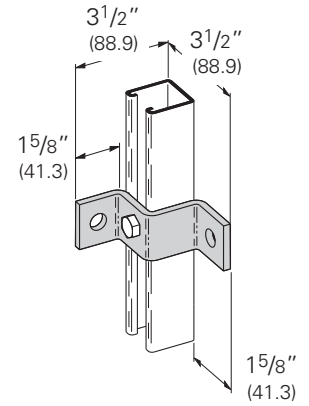
- Standard finishes: ZN, GRN



Part No.	A		Wt./C	
	In.	mm	Lbs.	kg
B407-4	4"	(101.6)	77	(34.9)
B407-5	5"	(127.0)	95	(43.1)
B407-6	6"	(152.4)	98	(44.4)
B407-7	7"	(177.8)	105	(47.6)
B407-8	8"	(203.2)	120	(54.4)
B407-9 ⁵ / ₈	9 ⁵ / ₈ "	(244.5)	138	(62.6)

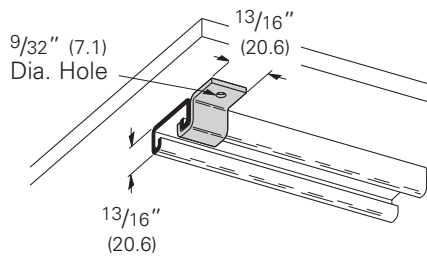
B111 Three Hole Sheath Corner Connection

- Standard finishes: ZN, GRN
- Wt./C 68 Lbs. (30.8 kg)



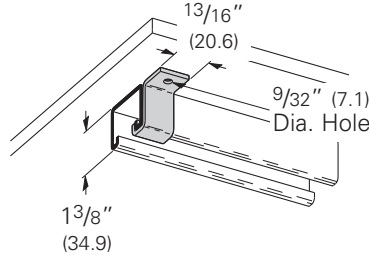
B410-52 Channel Hanger Bracket for B52

- Material: 11 Gauge (3.0)
ASTM A1011 HSLAS Gr. 50
- Standard finishes: ZN, GRN
- Wt./C 6.7 Lbs. (3.0 kg)



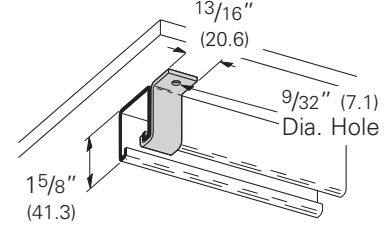
B410-32 Channel Hanger Bracket for B32

- Material: 11 Gauge (3.0)
ASTM A1011 HSLAS Gr. 50
- Standard finishes: ZN, GRN
- Wt./C 8.3 Lbs. (3.7 kg)



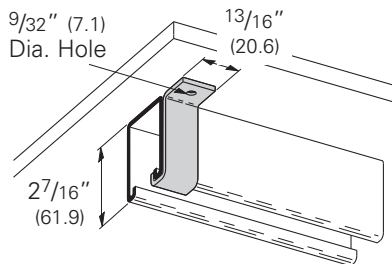
B410-22 Channel Hanger Bracket for B22

- Material: 11 Gauge (3.0)
ASTM A1011 HSLAS Gr. 50
- Standard finishes: ZN, GRN
- Wt./C 9 Lbs. (4.1 kg)



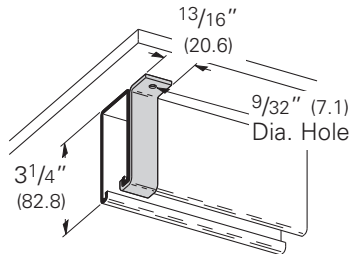
B410-12 Channel Hanger Bracket for B12

- Material: 11 Gauge (3.0)
ASTM A1011 HSLAS Gr. 50
- Standard finishes: ZN, GRN
- Wt./C 11.2 Lbs. (5.1 kg)



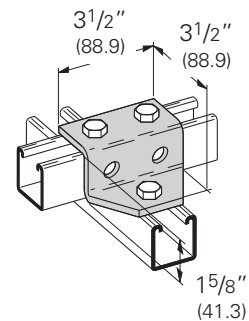
B410-11 Channel Hanger Bracket for B11

- Material: 11 Gauge (3.0)
ASTM A1011 HSLAS Gr. 50
- Standard finishes: ZN, GRN
- Wt./C 13.4 Lbs. (6.1 kg)



B580 Five Hole Gussetted Z-Support

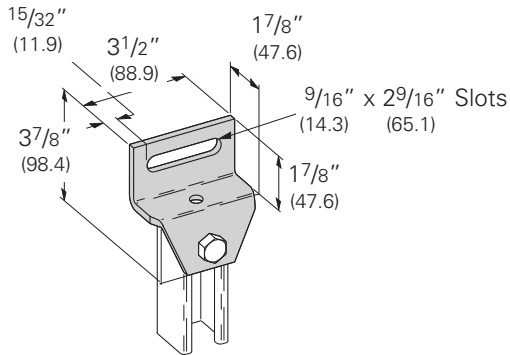
- Standard finishes: ZN, GRN
- Wt./C 100 Lbs. (45.3 kg)



'Z' & Wing Fittings

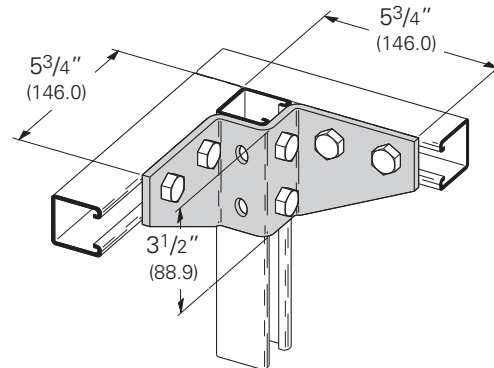
B515 Adjustable Offset Gusseted Z-Support

- Standard finishes: ZN, GRN
- Wt./C 93 Lbs. (42.2 kg)



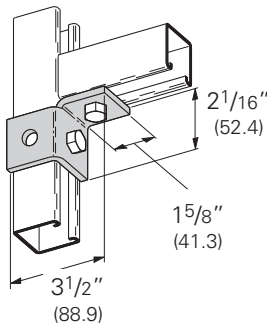
B428 Eight Hole Gusseted Corner Connection

- Standard finishes: ZN, GRN
- Wt./C 203 Lbs. (92.1 kg)



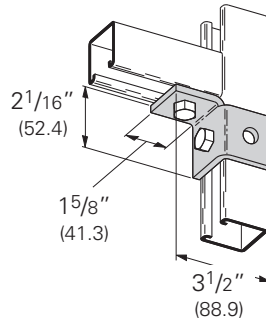
B267R Three Hole Single Corner Connection (Right Hand)

- Standard finishes: ZN, GRN
- Wt./C 54 Lbs. (24.5 kg)



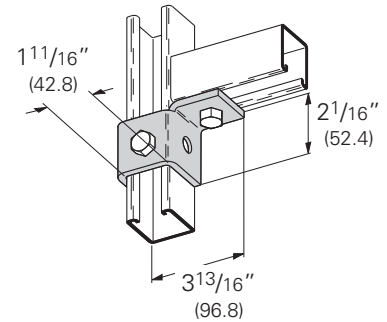
B267L Three Hole Single Corner Connection (Left Hand)

- Standard finishes: ZN, GRN
- Wt./C 54 Lbs. (24.5 kg)



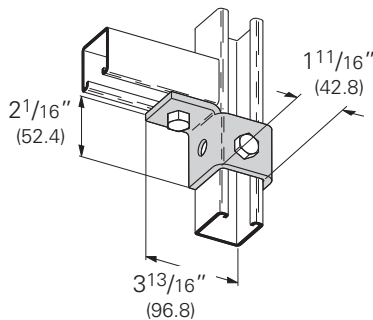
B270R Four Hole Single Corner Connection (Right Hand)

- Standard finishes: ZN, GRN
- Wt./C 77 Lbs. (34.9 kg)



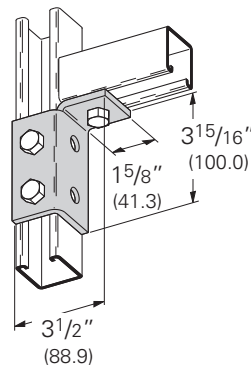
B270L Four Hole Single Corner Connection (Left Hand)

- Standard finishes: ZN, GRN
- Wt./C 77 Lbs. (34.9 kg)



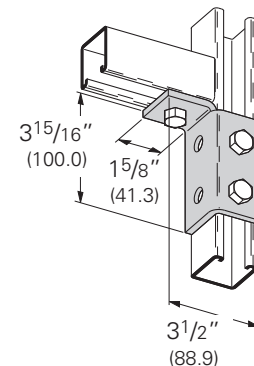
B268R Five Hole Single Corner Connection (Right Hand)

- Standard finishes: ZN, GRN
- Wt./C 100 Lbs. (45.3 kg)



B268L Five Hole Single Corner Connection (Left Hand)

- Standard finishes: ZN, GRN
- Wt./C 100 Lbs. (45.3 kg)

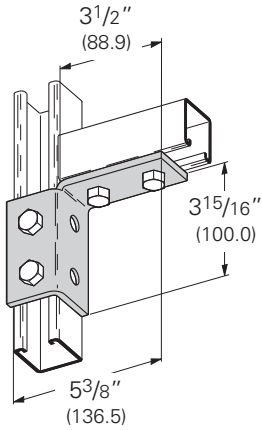


Reference page 73 for general fitting and standard finish specifications.

Wing Fittings

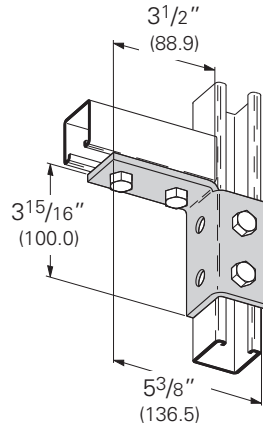
B269R Six Hole Single Corner Connection (Right Hand)

- Standard finishes: ZN, GRN
- Wt./C 120 Lbs. (54.4 kg)



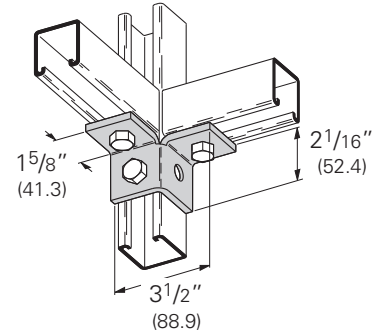
B269L Six Hole Single Corner Connection (Left Hand)

- Standard finishes: ZN, GRN
- Wt./C 120 Lbs. (54.4 kg)



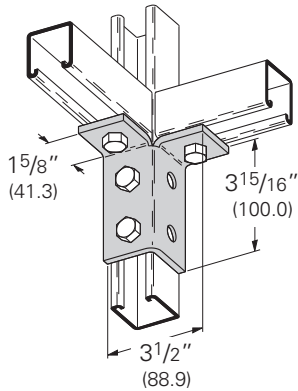
B119 Six Hole Double Corner Connection

- Standard finishes: ZN, GRN
- Wt./C 71 Lbs. (32.2 kg)



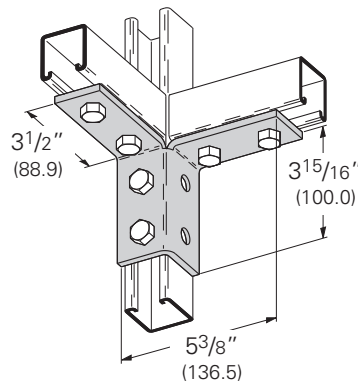
B120 Six Hole Double Corner Connection

- Standard finishes: ZN, GRN
- Wt./C 110 Lbs. (49.9 kg)



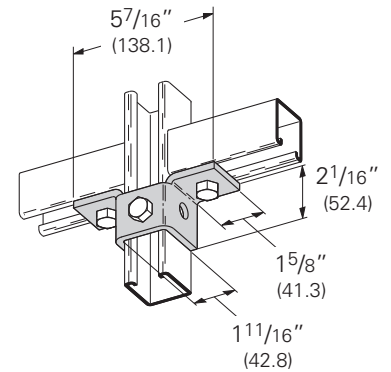
B121 Eight Hole Double Corner Connection

- Standard finishes: ZN, GRN
- Wt./C 152 Lbs. (68.9 kg)



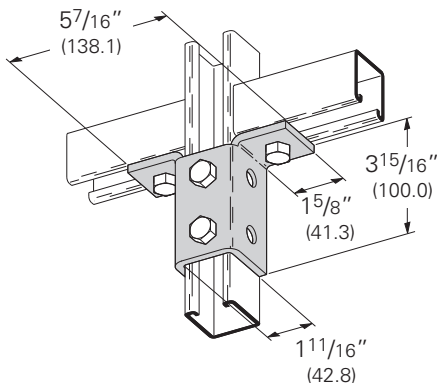
B271 Five Hole Double Wing Connection

- Standard finishes: ZN, GRN
- Wt./C 95 Lbs. (43.1 kg)



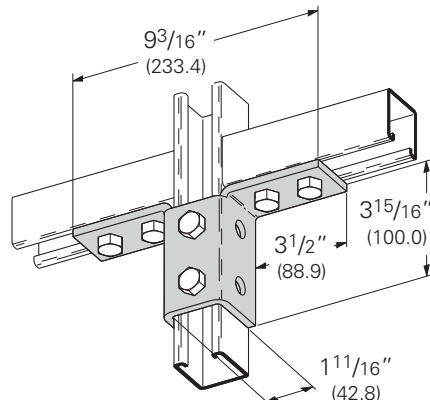
B272 Eight Hole Double Wing Connection

- Standard finishes: ZN, GRN
- Wt./C 156 Lbs. (70.7 kg)



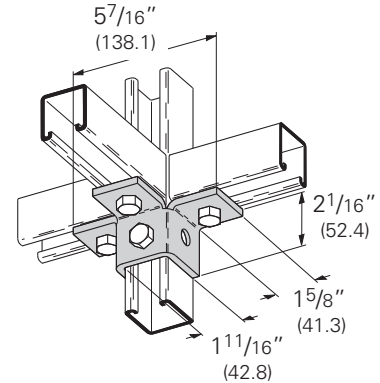
B273 Ten Hole Double Wing Connection

- Standard finishes: ZN, GRN
- Wt./C 185 Lbs. (83.9 kg)



B122 Six Hole Triple Wing Connection

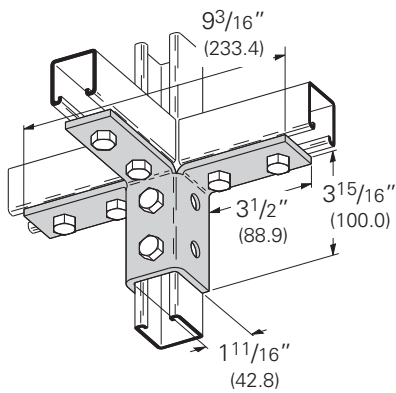
- Standard finishes: ZN, GRN
- Wt./C 110 Lbs. (49.9 kg)



Strut Fittings

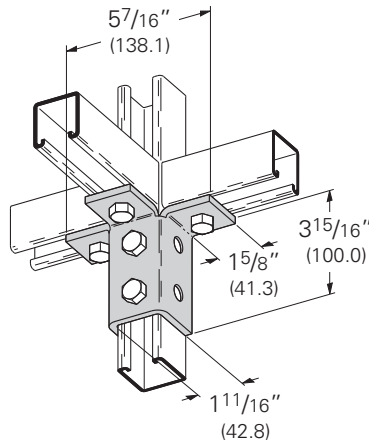
B123
Twelve Hole Triple Wing Connection

- Standard finishes: ZN, GRN
- Wt./C 234 Lbs. (106.1 kg)



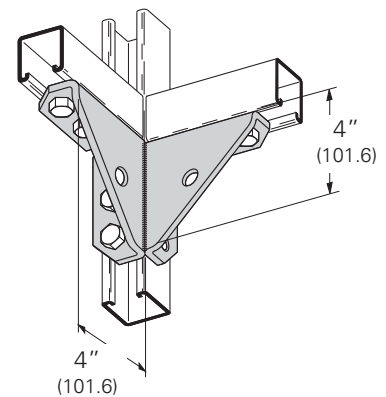
B124
Nine Hole Triple Wing Connection

- Standard finishes: ZN, GRN
- Wt./C 177 Lbs. (80.3 kg)



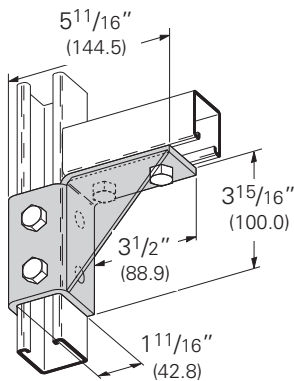
B276
Fourteen Hole Double Corner Gussetted Connection

- Standard finishes: ZN, GRN
- Wt./C 196 Lbs. (88.9 kg)



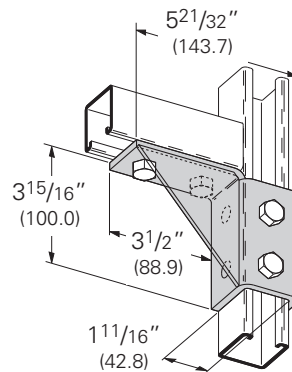
B274R
Eight Hole Single Corner Gussetted Connection (Right Hand)

- Standard finishes: ZN, GRN
- Wt./C 176 Lbs. (79.8 kg)



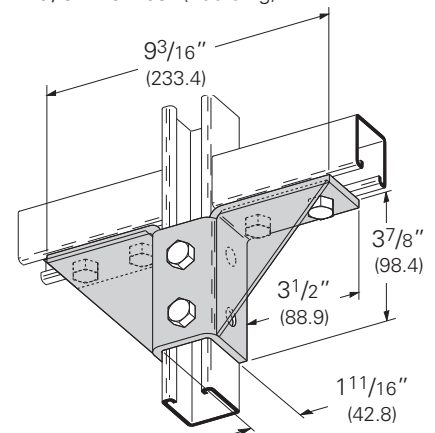
B274L
Eight Hole Single Corner Gussetted Connection (Left Hand)

- Standard finishes: ZN, GRN
- Wt./C 176 Lbs. (79.8 kg)



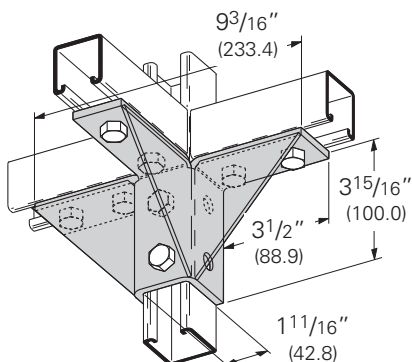
B495
Ten Hole Double Wing Gussetted Connection

- Standard finishes: ZN, GRN
- Wt./C 240 Lbs. (108.8 kg)



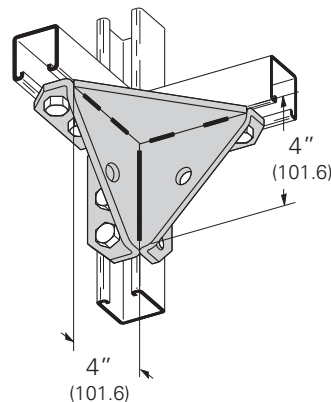
B277
Twelve Hole Triple Wing Gussetted Connection

- Standard finishes: ZN, GRN
- Wt./C 285 Lbs. (129.3 kg)



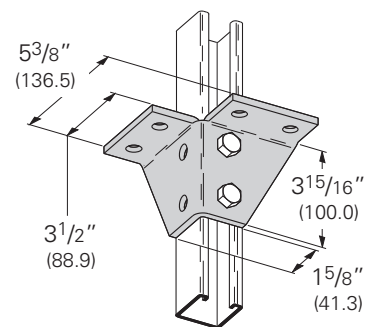
B362
Eight Hole Double Corner Gussetted Connection

- Standard finishes: ZN, GRN
- Wt./C 226 Lbs. (102.5 kg)



B571
Eight Hole Wing Connection

- Standard finishes: ZN, GRN
- Wt./C 201 Lbs. (91.2 kg)

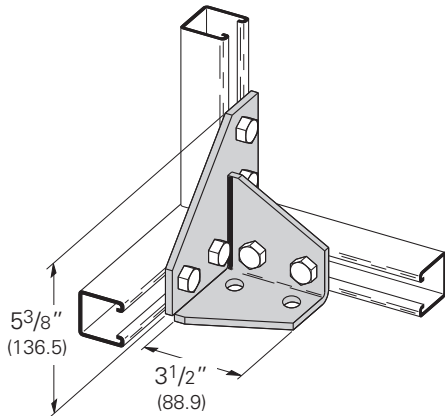


Reference page 73 for general fitting and standard finish specifications.

Wing Fittings & Post Bases

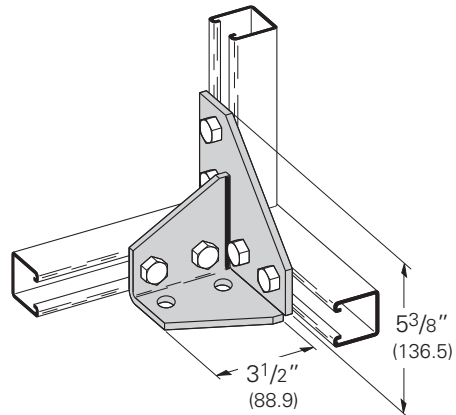
B346L Eight Hole Double Corner Gussetted Connection (Left Hand)

- Standard finishes: ZN, GRN
- Wt./C 242 Lbs. (109.8 kg)



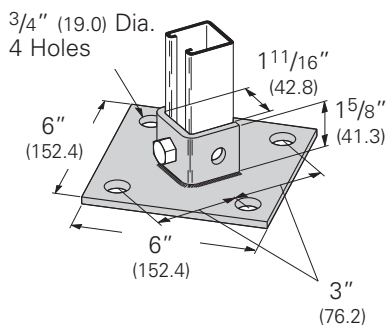
B346R Eight Hole Double Corner Gussetted Connection (Right Hand)

- Standard finishes: ZN, GRN
- Wt./C 242 Lbs. (109.8 kg)



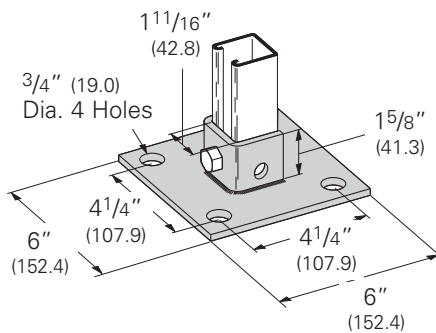
B279 Post Base for B22

- Standard finishes: ZN, GRN
- Wt./C 314 Lbs. (142.4 kg)



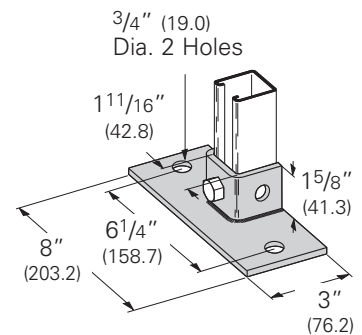
B279SQ Post Base for B22

- Standard finishes: ZN, GRN
- Wt./C 314 Lbs. (142.4 kg)



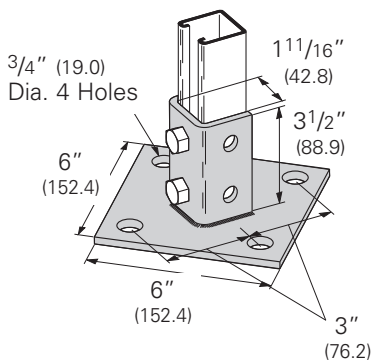
B279FL Post Base for B22

- Standard finishes: ZN, GRN
- Wt./C 230 Lbs. (104.3 kg)



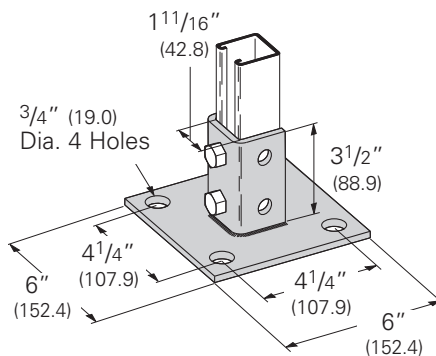
B280 Post Base for B22

- Standard finishes: ZN, GRN, HDG, SS4, AL
- Wt./C 392 Lbs. (177.8 kg)



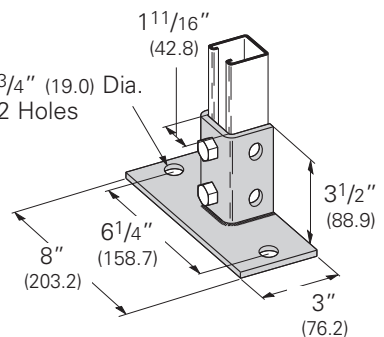
B280SQ Post Base for B22

- Standard finishes: ZN, GRN, HDG, SS4, AL
- Wt./C 392 Lbs. (177.8 kg)



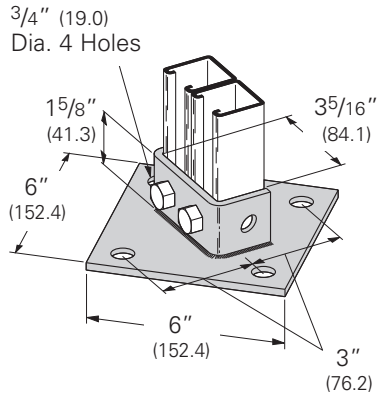
B280FL Post Base for B22

- Standard finishes: ZN, GRN, HDG, SS4
- Wt./C 312 Lbs. (141.5 kg)



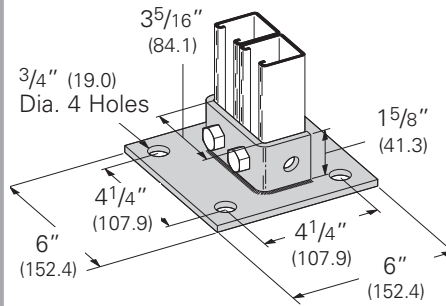
B281A
Post Base for B22A, B, C, ETC.

- Standard finishes: ZN, GRN
- Wt./C 330 Lbs. (149.7 kg)



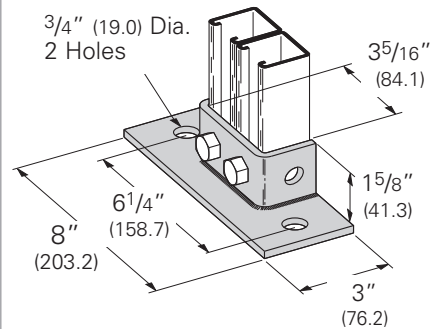
B281ASQ
Post Base for B22A, B, C, Etc.

- Standard finishes: ZN, GRN
- Wt./C 330 Lbs. (149.7 kg)



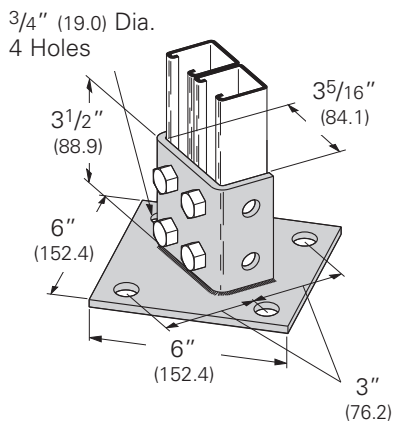
B281AFL
Post Base for B22A, B, C, Etc.

- Standard finishes: ZN, GRN
- Wt./C 250 Lbs. (113.4 kg)



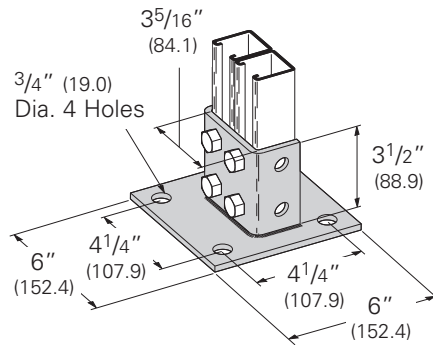
B281
Post Base for B22A, B, C, Etc.

- Standard finishes: ZN, GRN, HDG
- Wt./C 400 Lbs. (181.4 kg)



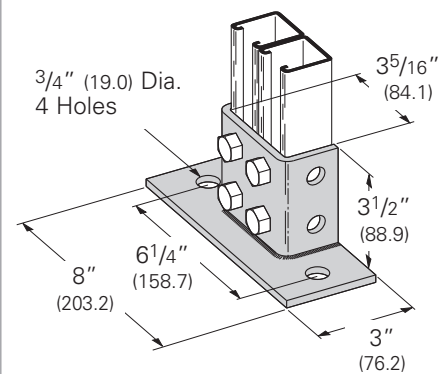
B281SQ
Post Base for B22A, B, C, Etc.

- Standard finishes: ZN, GRN, HDG, SS4
- Wt./C 400 Lbs. (181.4 kg)



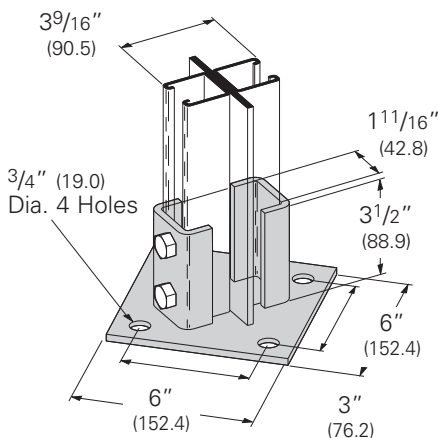
B281FL
Post Base for B22A, B, C, Etc.

- Standard finishes: ZN, GRN
- Wt./C 320 Lbs. (145.1 kg)



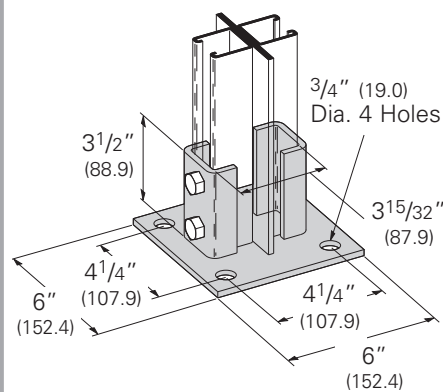
B281M
Post Base for B22-2PL

- Standard finishes: ZN, GRN
- Wt./C 470 Lbs. (213.2 kg)



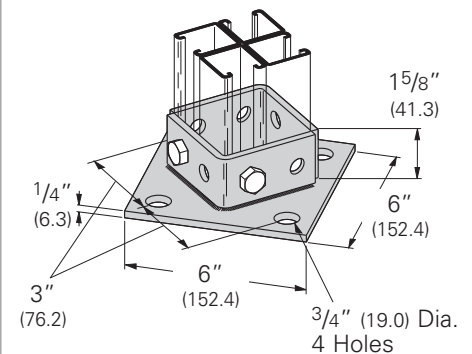
B281MSQ
Post Base for B22-2PL

- Standard finishes: ZN, GRN
- Wt./C 470 Lbs. (213.2 kg)



B570
Post Base for Four Channel Combinations

- Standard finishes: ZN, GRN
- Wt./C 397 Lbs. (180.1 kg)

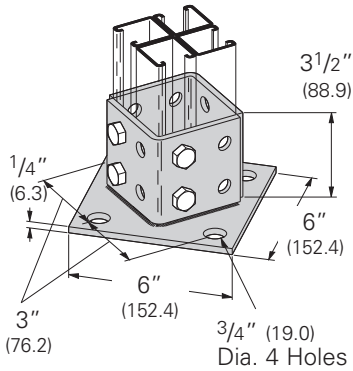


Reference page 73 for general fitting and standard finish specifications.

Post Bases & Brackets

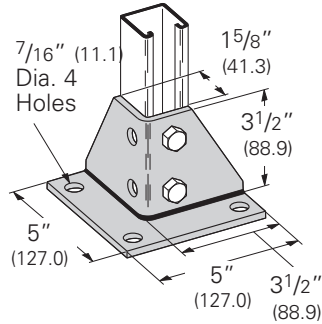
B570A Post Base for Four Channel Combinations

- Standard finishes: ZN, GRN
- Wt./C 550 Lbs. (249.5 kg)



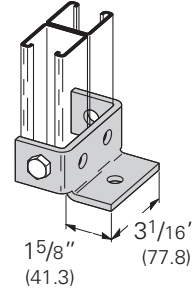
B278 Post Base for B22

- Standard finishes: ZN, GRN
- Wt./C 288 Lbs. (130.6 kg)



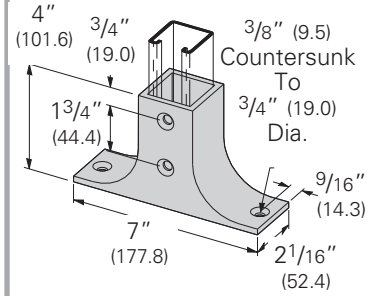
B585 Post Base for B22A

- Standard finishes: ZN, GRN
- Wt./C 97 Lbs. (44.0 kg)



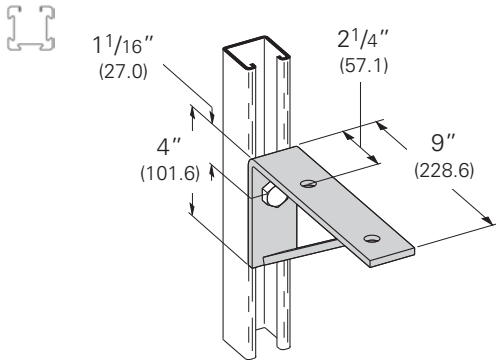
B300 Post Base

- Material: Malleable Iron
- Standard finishes: ZN, GRN
- Wt./C 259 Lbs. (117.5 kg)



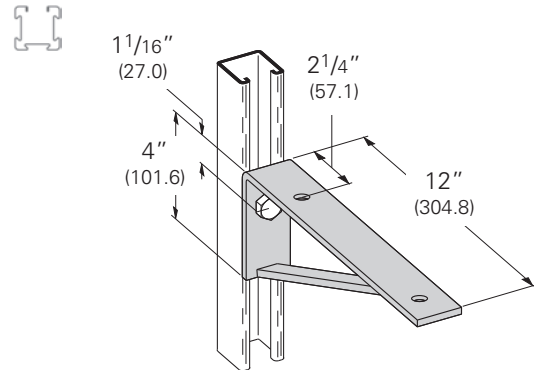
B187 Bracket

- Uniform Loading 1450 Lbs. (6.45 kN)
- Safety Factor of 2.5
- Hole Spacing on Bracket Top 5 5/16" (150.8) Center to Center
- Standard finishes: ZN, GRN
- Wt./C 193 Lbs. (87.5 kg)



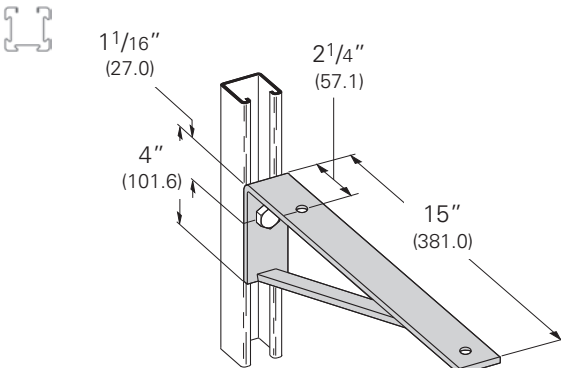
B188 Bracket

- Uniform Loading 1080 Lbs. (4.80 kN)
- Safety Factor of 2.5
- Hole Spacing on Bracket Top 8 15/16" (227.0) Center to Center
- Standard finishes: ZN, GRN
- Wt./C 241 Lbs. (109.3 kg)



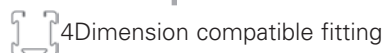
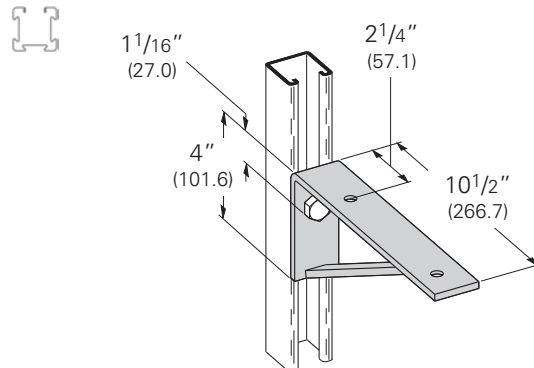
B189 Bracket

- Uniform Loading 870 Lbs. (3.87 kN)
- Safety Factor of 2.5
- Hole Spacing on Bracket Top 11 15/16" (303.2) Center to Center
- Standard finishes: ZN, GRN
- Wt./C 308 Lbs. (139.7 kg)



B541 Bracket

- Uniform Loading 1240 Lbs. (5.51 kN)
- Safety Factor of 2.5
- Hole Spacing on Bracket Top 7 7/16" (188.9) Center to Center
- Standard finishes: ZN, GRN
- Wt./C 201 Lbs. (91.2 kg)

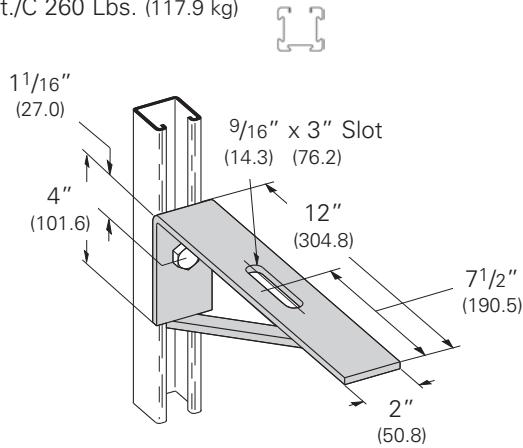


4Dimension compatible fitting

Reference page 73 for general fitting and standard finish specifications.

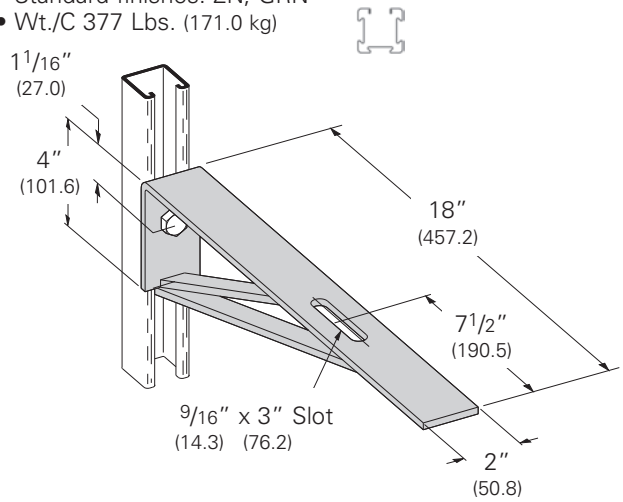
B190 12" (304.8) Bracket

- Uniform Loading 900 Lbs. (4.00 kN)
- Safety Factor of 2.5
- Standard finishes: ZN, GRN
- Wt./C 260 Lbs. (117.9 kg)



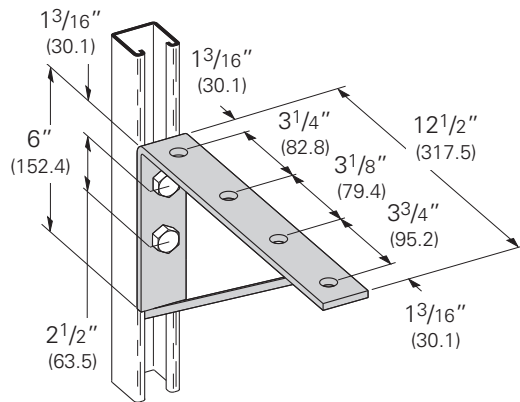
B191-18 18" (457.2) Bracket

- Uniform Loading 600 Lbs. (2.67 kN)
- Safety Factor of 2.5
- Standard finishes: ZN, GRN
- Wt./C 377 Lbs. (171.0 kg)



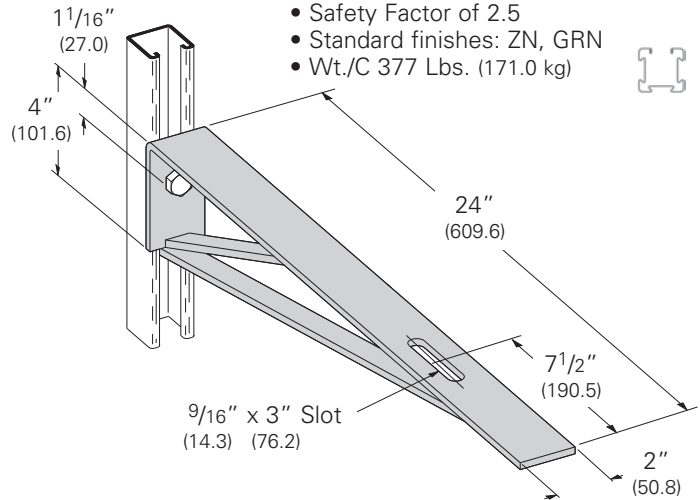
B289-12 12 1/2" (317.5) Bracket

- Uniform Loading 1040 Lbs. (4.63 kN)
- Safety Factor of 2.5
- Standard finishes: ZN, GRN
- Wt./C 285 Lbs. (129.3 kg)



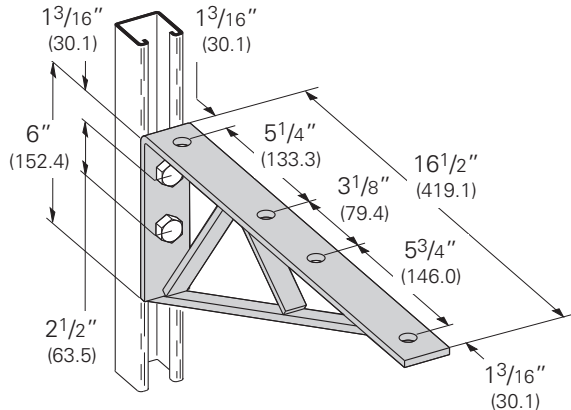
B191-24 24" (609.6) Bracket

- Uniform Loading 450 Lbs. (2.00 kN)
- Safety Factor of 2.5
- Standard finishes: ZN, GRN
- Wt./C 377 Lbs. (171.0 kg)



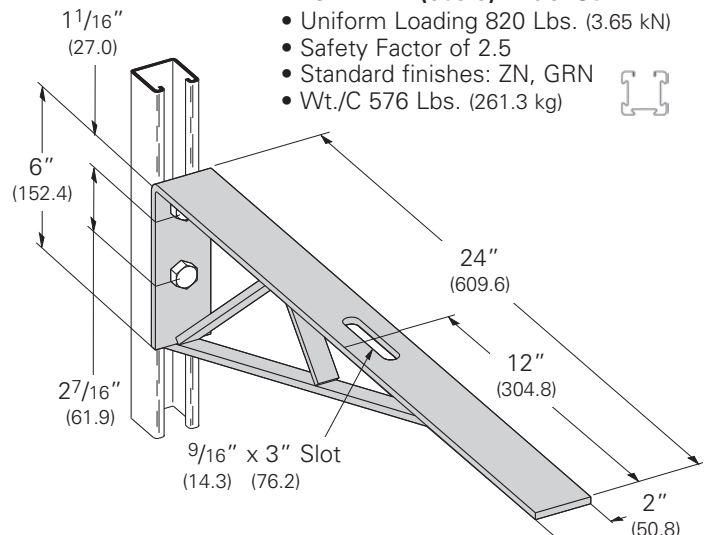
B290 16 1/2" (419.1) Bracket

- Uniform Loading 1200 Lbs. (5.34 kN)
- Safety Factor of 2.5
- Standard finishes: ZN, GRN
- Wt./C 405 Lbs. (183.7 kg)



B192 24" (609.6) Bracket

- Uniform Loading 820 Lbs. (3.65 kN)
- Safety Factor of 2.5
- Standard finishes: ZN, GRN
- Wt./C 576 Lbs. (261.3 kg)



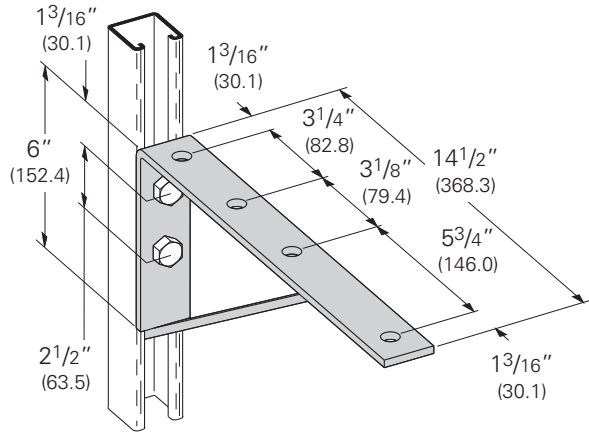
4Dimension compatible fitting

Reference page 73 for general fitting and standard finish specifications.

Brackets

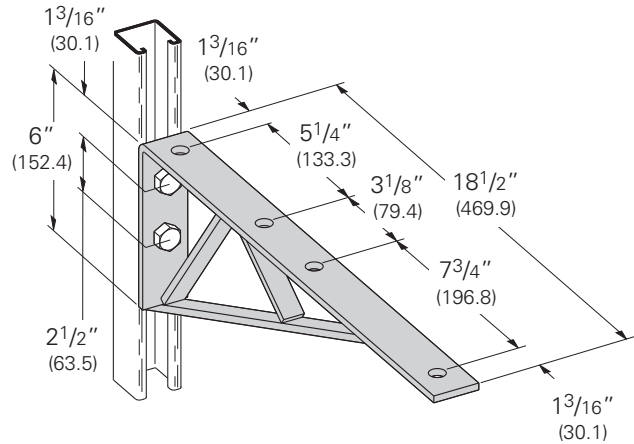
B289-14 14 1/2" (368.3) Bracket

- Uniform Loading 900 Lbs. (4.00 kN)
- Safety Factor of 2.5
- Standard finishes: ZN, GRN
- Wt./C 295 Lbs. (133.8 kg)



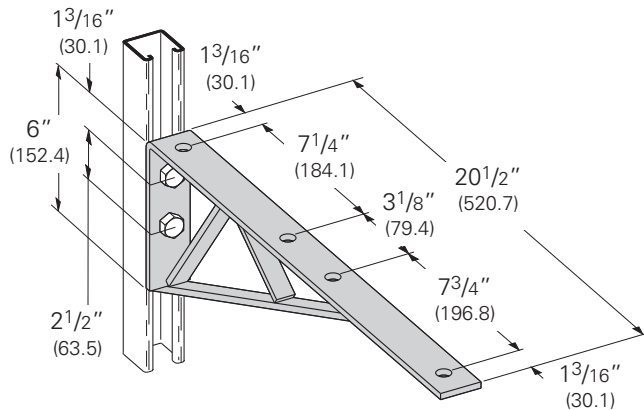
B291 18 1/2" (469.9) Bracket

- Uniform Loading 1070 Lbs. (4.76 kN)
- Safety Factor of 2.5
- Standard finishes: ZN, GRN
- Wt./C 468 Lbs. (212.3 kg)



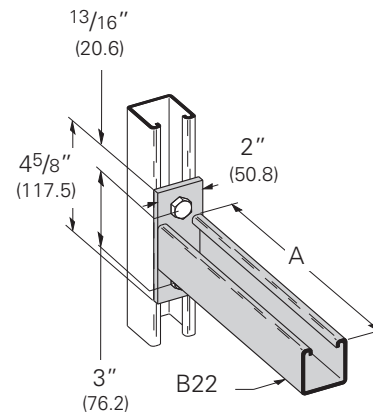
B292 20 1/2" (520.7) Bracket

- Uniform Loading 600 Lbs. (2.67 kN)
- Safety Factor of 2.5
- Standard finishes: ZN, GRN, HDG, SS4
- Wt./C 490 Lbs. (222.2 kg)



B409 Single Channel Bracket

- Safety Factor of 2.5
- Standard finishes: ZN, GRN, SS4



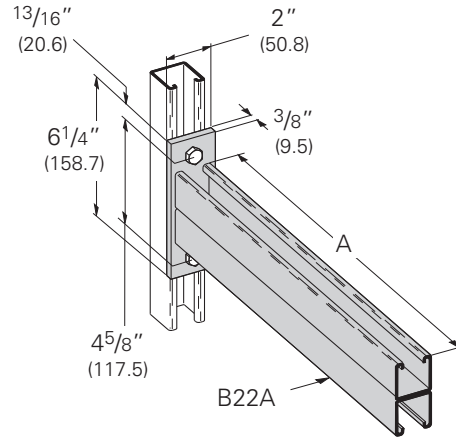
Part No.	A		Uniform Load		Wt./C	
	In.	mm	Lbs.	kN	Lbs.	kg
B409-6	6"	(152.4)	1920	(8.54)	152	(68.9)
B409-9	9"	(228.6)	1280	(5.69)	195	(88.4)
B409-12	12"	(304.8)	960	(4.27)	232	(105.2)
B409-14	14"	(355.6)	800	(3.56)	274	(124.3)
B409-16	16"	(406.4)	730	(3.25)	314	(142.4)
B409-18	18"	(457.2)	640	(2.84)	347	(157.4)
B409-24	24"	(609.6)	480	(2.13)	450	(204.1)

4Dimension compatible fitting

Reference page 73 for general fitting and standard finish specifications.

B297 Double Channel Bracket

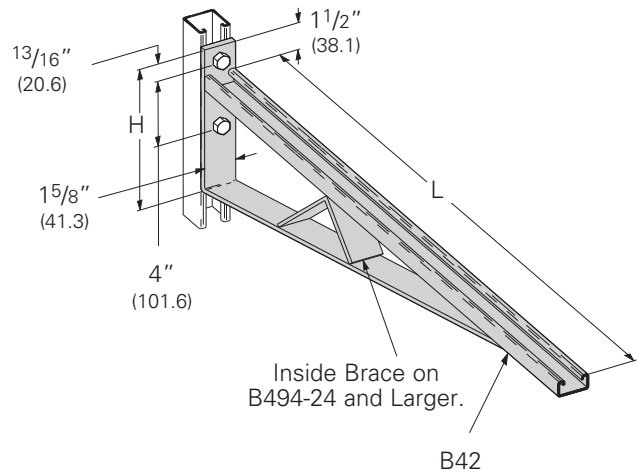
- Safety Factor of 2.5
- Standard finishes: ZN, GRN, HDG



Part No.	A		Uniform Load		Wt./C	
	In.	mm	Lbs.	kN	Lbs.	kg
B297-12	12"	(304.8)	1660	(7.37)	485	(220.0)
B297-18	18"	(457.2)	1100	(4.88)	668	(303.0)
B297-24	24"	(609.6)	835	(3.71)	857	(388.7)
B297-30	30"	(762.0)	665	(2.95)	1040	(471.7)
B297-36	36"	(914.4)	550	(2.44)	1240	(562.4)
B297-42	42"	(1066.8)	465	(2.06)	1440	(653.2)

B494 Braced Single Bracket

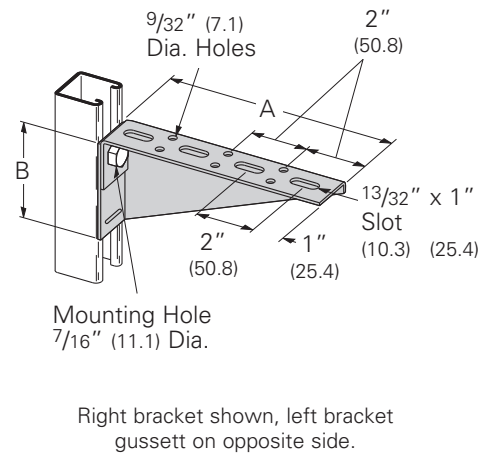
- Safety Factor of 2.5
- Standard finishes: ZN, GRN



Part No.	L	H	Uniform Load		Wt. /C			
	In.	mm	In.	mm	Lbs.	kg		
B494-12	12"	(304.8)	8 ³ / ₄ "	(222.2)	1580	(7.02)	364	(165.1)
B494-18	18"	(475.2)	8 ³ / ₄ "	(222.2)	1000	(4.45)	479	(217.3)
B494-24	24"	(609.6)	8 ³ / ₄ "	(222.2)	996	(4.43)	716	(324.8)
B494-30	30"	(762.0)	11 ¹ / ₄ "	(285.7)	924	(4.11)	927	(420.5)
B494-36	36"	(914.4)	11 ¹ / ₄ "	(285.7)	864	(3.84)	1095	(496.7)
B494-42	42"	(1066.8)	16"	(406.4)	580	(2.58)	1400	(635.0)
B494-48	48"	(1219.2)	16"	(406.4)	500	(2.22)	1510	(684.9)

B174SH-B186SH L&R Slotted Bracket

- Safety Factor of 2.5
- Specify L for left or R for right bracing
- Material: ASTM A1011 33,000 PSI min. yield
- Standard finishes: ZN, GRN



Part No.	A		B		Uniform Load		Wt./C	
	In.	mm	In.	mm	Lbs.	kN	Lbs.	kg
B174SH	24"	(609.6)	6 ⁷ / ₁₆ "	(163.5)	225	(1.00)	370	(167.8)
B175SH	26"	(660.4)	6 ¹⁵ / ₁₆ "	(176.2)	225	(1.00)	425	(192.8)
B176SH	28"	(711.2)	7 ⁷ / ₁₆ "	(188.9)	225	(1.00)	480	(217.7)
B177SH	30"	(762.0)	7 ¹⁵ / ₁₆ "	(201.6)	225	(1.00)	520	(235.9)
B178SH	12"	(304.8)	3 ⁷ / ₁₆ "	(87.3)	350	(1.55)	143	(64.8)
B179SH	14"	(355.6)	3 ¹⁵ / ₁₆ "	(100.0)	350	(1.55)	162	(73.5)
B180SH	16"	(406.4)	4 ⁷ / ₁₆ "	(112.7)	250	(1.11)	204	(92.5)
B181SH	18"	(457.2)	4 ¹⁵ / ₁₆ "	(125.4)	250	(1.11)	232	(105.2)
B182SH	20"	(508.0)	5 ⁷ / ₁₆ "	(138.1)	250	(1.11)	275	(124.7)
B183SH	22"	(558.8)	5 ¹⁵ / ₁₆ "	(150.8)	250	(1.11)	317	(143.8)
B184SH	6"	(152.4)	1 ¹⁵ / ₁₆ "	(49.2)	225	(1.00)	58	(26.3)
B185SH	8"	(203.2)	2 ⁷ / ₁₆ "	(61.9)	225	(1.00)	82	(37.2)
B186SH	10"	(254.0)	2 ¹⁵ / ₁₆ "	(74.6)	325	(1.44)	103	(46.7)

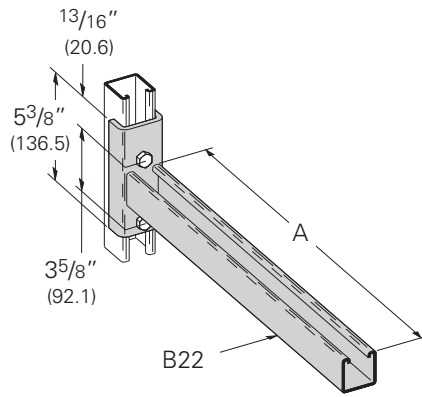
4Dimension compatible fitting

Reference page 73 for general fitting and standard finish specifications.

Brackets

B196 Channel Clevis Bracket

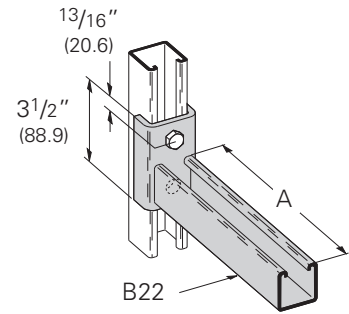
- Safety Factor of 2.5
- Standard finishes: ZN, GRN



Part No.	A		Uniform Load		Wt./C	
	In.	mm	Lbs.	kN	Lbs.	kg
B196-18	18"	(457.2)	600	(2.67)	430	(195.0)
B196-24	24"	(609.6)	450	(2.00)	510	(231.3)

B198 Channel Clevis Bracket

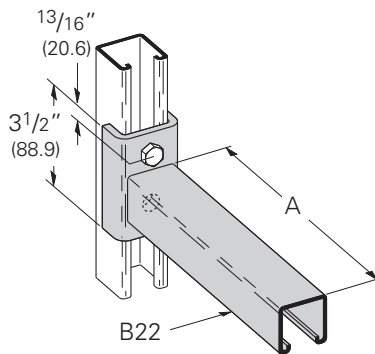
- Safety Factor of 2.5
- Standard finishes: ZN, GRN



Part No.	A		Uniform Load		Wt./C	
	In.	mm	Lbs.	kN	Lbs.	kg
B198-6	6"	(152.4)	1600	(7.12)	185	(83.9)
B198-12	12"	(304.8)	800	(3.56)	284	(128.8)

B198A Channel Clevis Bracket

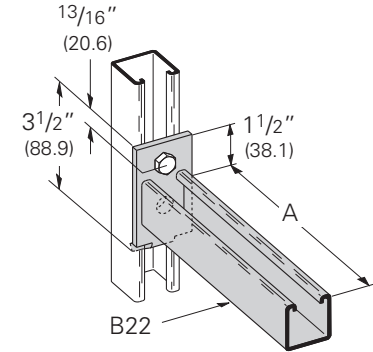
- Safety Factor of 2.5
- Standard finishes: ZN, GRN



Part No.	A		Uniform Load		Wt./C	
	In.	mm	Lbs.	kN	Lbs.	kg
B198A-6	6"	(152.4)	1600	(7.12)	185	(83.9)
B198A-12	12"	(304.8)	800	(3.56)	284	(128.8)

B293 Channel Bracket

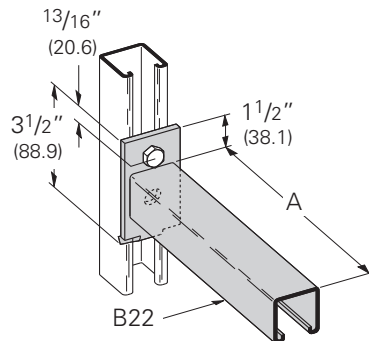
- Safety Factor of 2.5
- Standard finishes: ZN, GRN



Part No.	A		Uniform Load		Wt./C	
	In.	mm	Lbs.	kN	Lbs.	kg
B293-6	6"	(152.4)	1200	(5.34)	144	(65.3)
B293-12	12"	(304.8)	600	(2.67)	252	(114.3)
B293-18	18"	(457.2)	400	(1.78)	340	(154.2)
B293-24	24"	(609.6)	300	(1.33)	412	(186.9)

B293A Channel Bracket

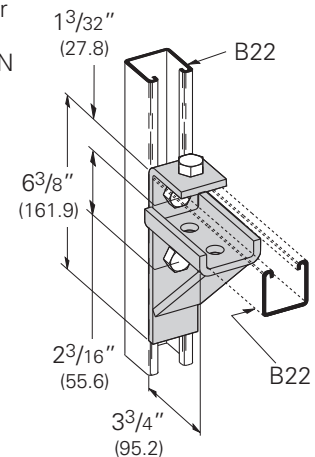
- Safety Factor of 2.5
- Standard finishes: ZN, GRN



Part No.	A		Uniform Load		Wt./C	
	In.	mm	Lbs.	kN	Lbs.	kg
B293A-6	6"	(152.4)	1200	(5.34)	144	(65.3)
B293A-12	12"	(304.8)	600	(2.67)	252	(114.3)
B293A-18	18"	(457.2)	400	(1.78)	340	(154.2)
B293A-24	24"	(609.6)	300	(1.33)	412	(186.9)

B194 Bracket for B22 & B24

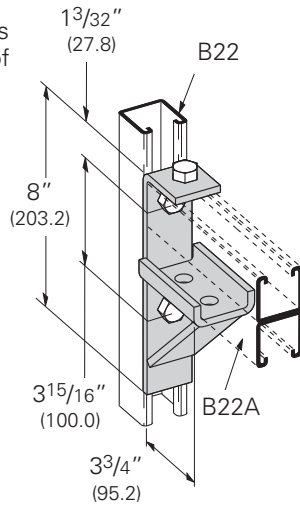
- Safety Factor of 2.5
- 6300 In.-Lbs (712 N•m) applies to fitting only, not to strength of strut arm
- Refer to pages 23 & 24 for strut loading data
- Standard finishes: ZN, GRN
- Wt./C 210 Lbs. (95.2 kg)



Reference page 73 for general fitting and standard finish specifications.

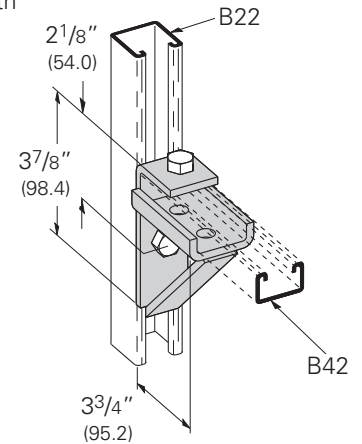
B370 Bracket for B22A & B11

- Safety Factor of 2.5
- 13000 In.-Lbs (1469 N•m) applies to fitting only, not to strength of strut arm
- Refer to pages 23 & 24 for strut loading data
- Standard finishes: ZN, GRN
- Wt./C 266 Lbs. (120.6 kg)



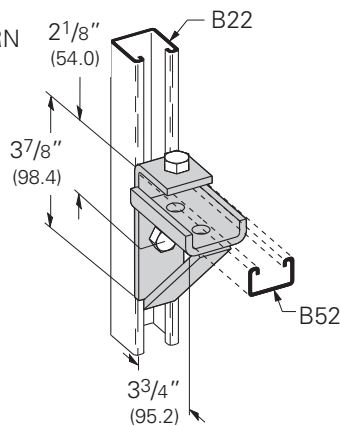
B195 Bracket for B42

- Safety Factor of 2.5
- 2500 In.-Lbs (282 N•m) applies to fitting only, not to strength of strut arm
- Refer to pages 23, 24 & 32 for strut loading data
- Standard finishes: ZN, GRN
- Wt./C 174 Lbs. (78.9 kg)



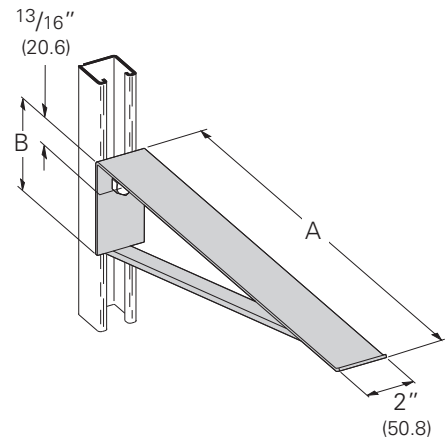
B440 Bracket for B52 & B54

- Safety Factor of 2.5
- 2000 In.-Lbs (226 N•m) applies to fitting only, not to strength of strut arm
- Refer to page 23, 24 & 34 for strut loading data
- Standard finishes: ZN, GRN
- Wt./C 177 Lbs. (80.3 kg)



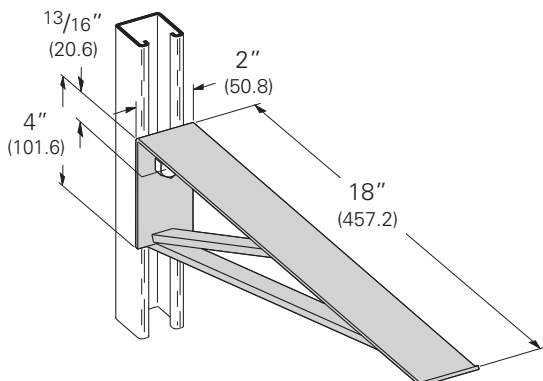
B449-4, 8 & 12 Cable Saddle Bracket

- Safety Factor of 2.5
- Material: 11 Gauge (3.0) ASTM A1011 HSLAS Gr. 50
- Standard finishes: ZN, GRN



B449-18 18" (457.2) Cable Saddle Bracket

- Safety Factor of 2.5
- Uniform Load 960 Lbs. (4.17 kN)
- Material: 11 Gauge (3.0) ASTM A1011 HSLAS Gr. 50
- Standard finishes: ZN, GRN
- Wt./C 312 Lbs. (141.5 kg)



Part No.	A		B		Uniform Load		Wt./C	
	In.	mm	In.	mm	Lbs.	kN	Lbs.	kg
B449-4	4 1/2"	(114.3)	2 3/8"	(60.3)	2400	(10.67)	74	(33.5)
B449-8	8 1/2"	(215.9)	2 3/8"	(60.3)	1270	(5.65)	124	(56.2)
B449-12	12 1/2"	(317.5)	4"	(101.6)	860	(3.82)	184	(83.4)

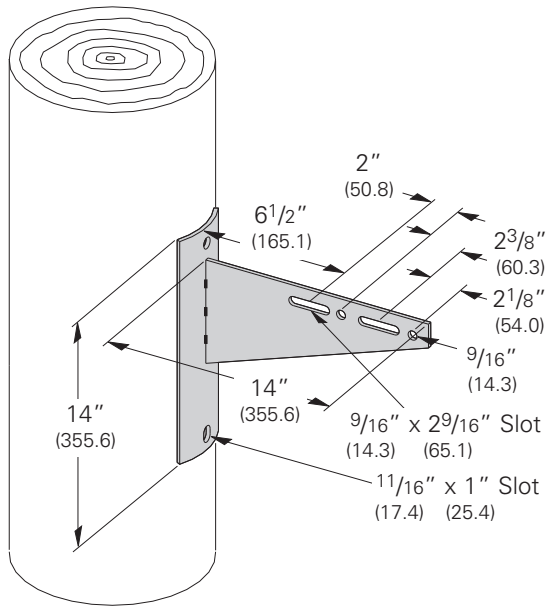
4Dimension compatible fitting

Reference page 73 for general fitting and standard finish specifications.

Brackets

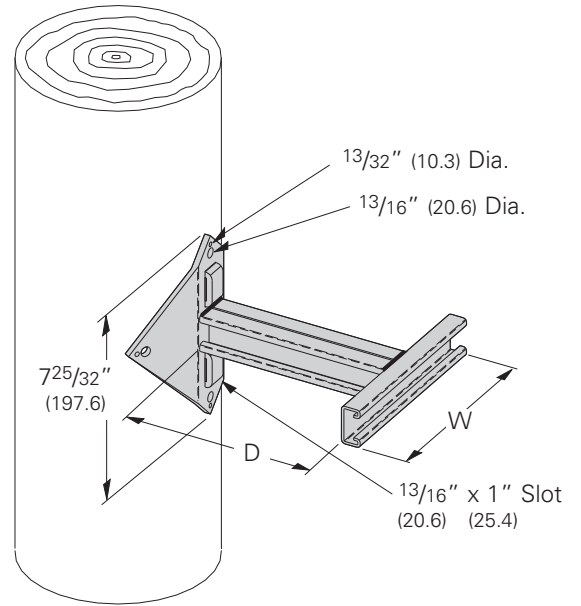
B816

- Standard finishes: ZN, HDG



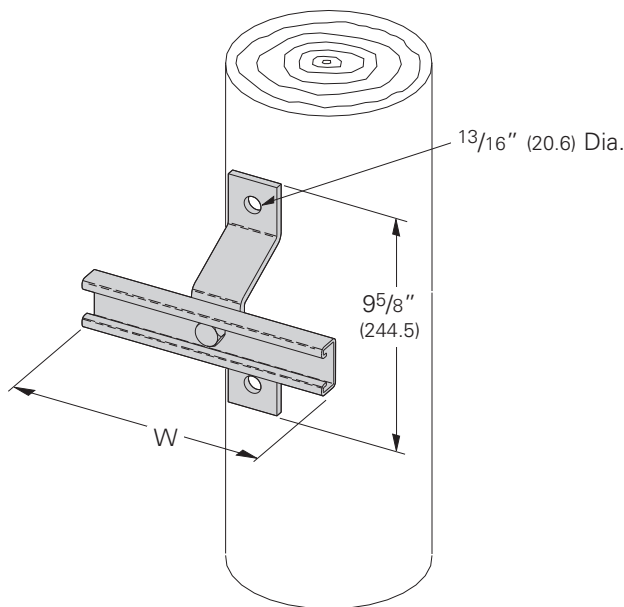
B852S-*.***

- *Specify Width: W = 8, 12, 16
- **Specify Depth: D = 6, 8, 10, 12, 16, 18, 24
- 13/16" (20.6mm) x 1" (25.4mm) banding slots for steel band
- Standard finishes: ZN, HDG



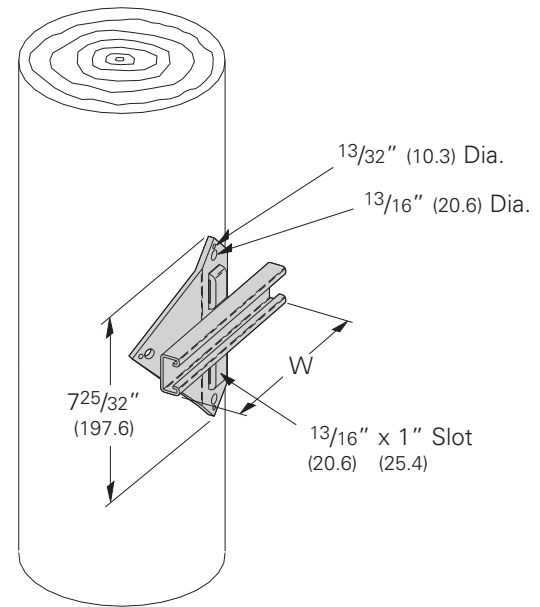
B802D-*

- *Specify Width: W = 8, 12, 16
- Standard finishes: ZN, HDG



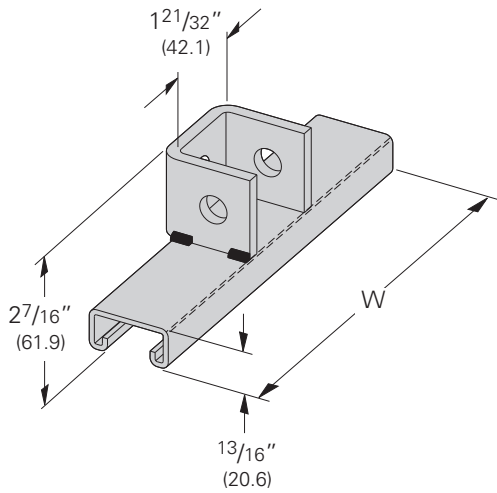
B810-*

- *Specify Width: W = 8, 12, 16
- 13/16" (20.6mm) x 1" (25.6mm) banding slots for steel band
- Standard finishes: ZN, HDG



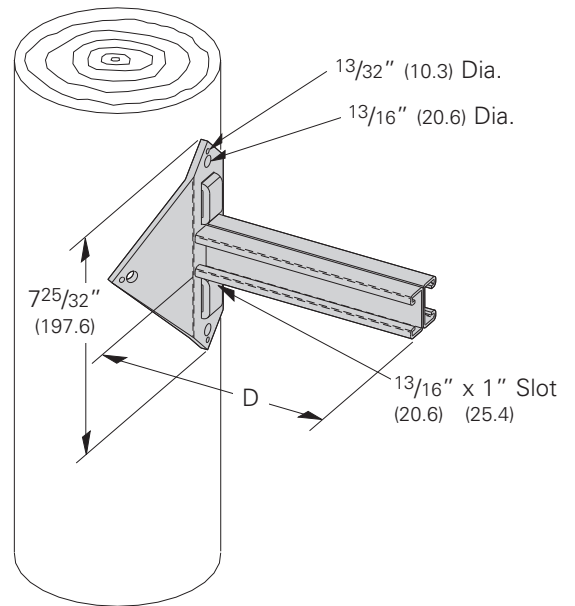
B811-*

- *Specify Width: W = 8, 12, 16
- Can be attached directly to B809 & B812
- Standard finishes: ZN, HDG



B812-*

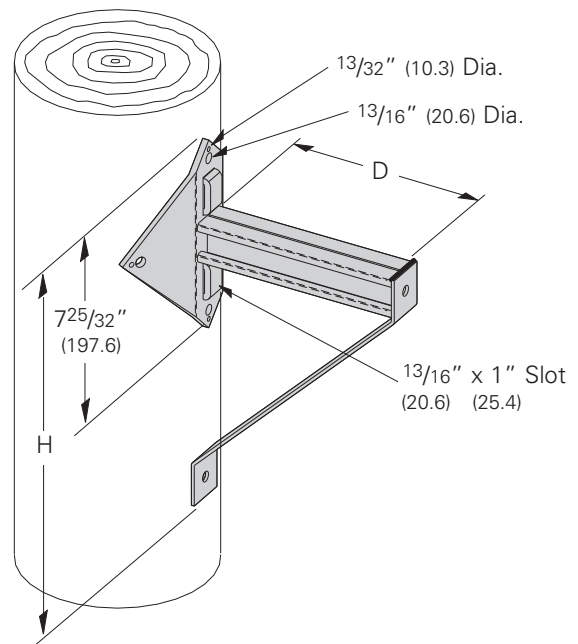
- *Specify Depth: D = 6, 8, 10, 12, 16, 18, 24
- 13/16" (20.6mm) x 1" (25.4mm) banding slots for steel band
- Standard finishes: ZN, HDG



B809B-*

- *Specify Depth: D = 6, 8, 10, 12, 16, 18, 24
- 13/16" (20.6mm) x 1" (25.4mm) banding slots for steel band
- Standard finishes: ZN, HDG

Part No.	D		H	
	In.	mm	In.	mm
B809B-6	6"	(152.4)	12 ³ / ₄ "	(323.9)
B809B-8	8"	(203.2)	14 ³ / ₄ "	(374.7)
B809B-10	10"	(254.0)	16 ³ / ₄ "	(425.5)
B809B-12	12"	(304.8)	18 ³ / ₄ "	(476.2)
B809B-16	16"	(406.4)	22 ³ / ₄ "	(577.8)
B809B-18	18"	(457.2)	24 ³ / ₄ "	(628.6)
B809B-24	24"	(609.6)	27 ³ / ₄ "	(704.8)

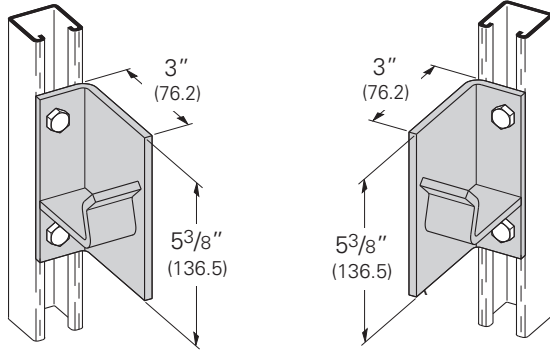


Reference page 73 for general fitting and standard finish specifications.

Miscellaneous Fittings

B214 R&L Reel Rack Support for 1 1/4" (32) Pipe

- Standard finishes: ZN, GRN
- Wt./C 200 Lbs. (90.7 kg)

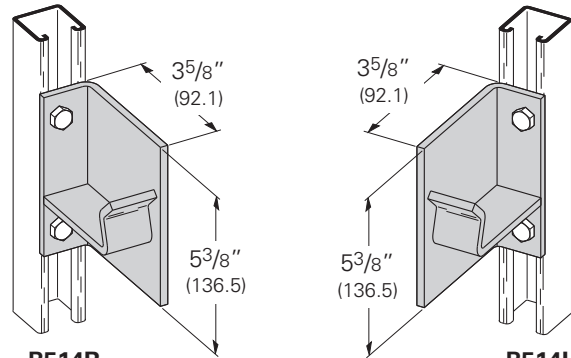


B214R
Right Hand

B214L
Left Hand

B514 R&L Reel Rack Support for 2" (50) Pipe

- Standard finishes: ZN, GRN
- Wt./C 246 Lbs. (111.6 kg)

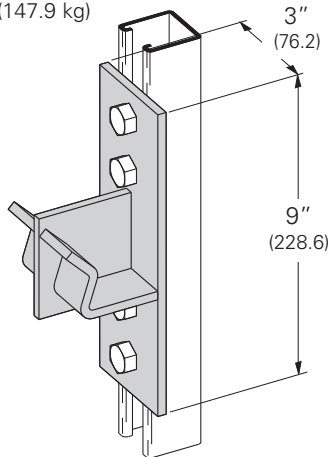


B514R
Right Hand

B514L
Left Hand

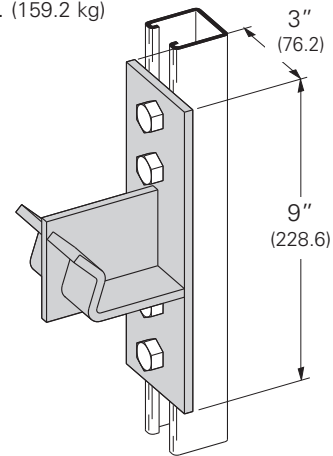
B475 Double Reel Rack Support on Single Channel for 1 1/4" (32) Pipe

- Standard finishes: ZN, GRN
- Wt./C 326 Lbs. (147.9 kg)



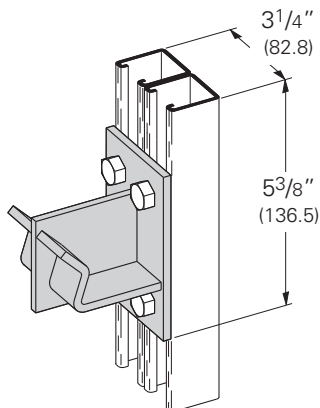
B473 Double Reel Rack Support on Single Channel for 2" (50) Pipe

- Standard finishes: ZN, GRN
- Wt./C 351 Lbs. (159.2 kg)



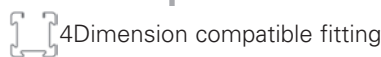
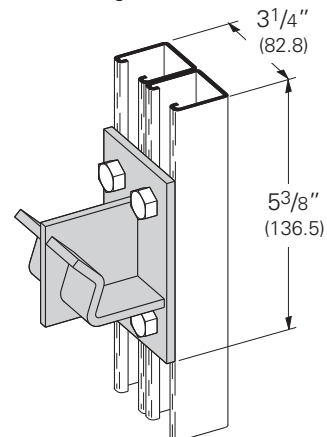
B474 Double Reel Rack Support on Double Channel for 1 1/4" (32) Pipe

- Standard finishes: ZN, GRN
- Wt./C 257 Lbs. (116.6 kg)



B472 Double Reel Rack Support on Double Channel for 2" (50) Pipe

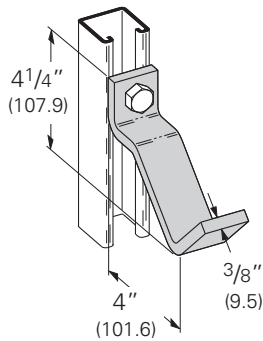
- Standard finishes: ZN, GRN
- Wt./C 299 Lbs. (135.6 kg)



Reference page 73 for general fitting and standard finish specifications.

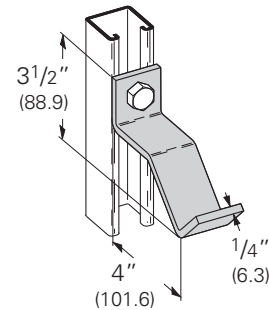
B438 Pipe Support Bracket

- Standard finishes: ZN, GRN
- Material: ASTM A36
- Wt./C 132 Lbs. (59.9 kg)



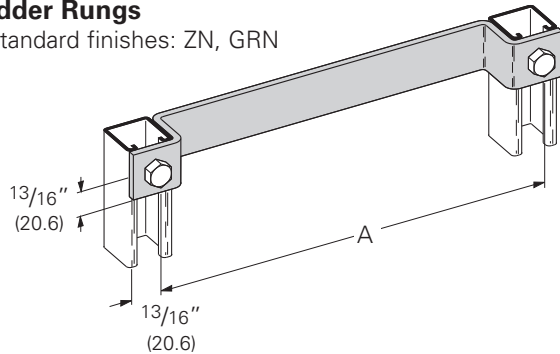
B439 Pipe Support Bracket

- Standard finishes: ZN, GRN
- Wt./C 88 Lbs. (39.9 kg)



B411 Series Ladder Rungs

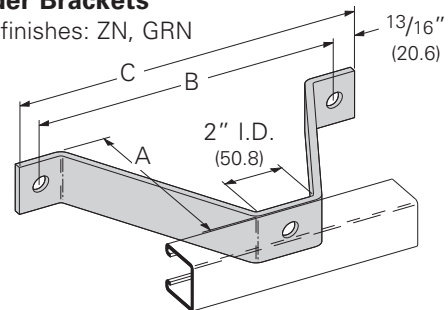
- Standard finishes: ZN, GRN



Part No.	A		Wt./C	
	In.	mm	Lbs.	kg
B411-12	12"	(304.8)	176	(79.8)
B411-15	15"	(381.0)	202	(91.6)
B411-18	18"	(457.2)	234	(106.1)

B381-B385 Wall Ladder Brackets

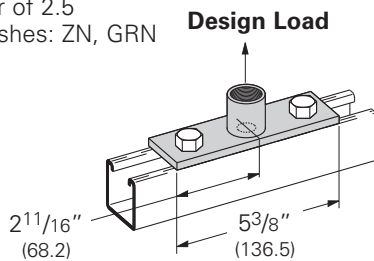
- Standard finishes: ZN, GRN



Part No.	A		B		C		Wt./C	
	In.	mm	In.	mm	In.	mm	Lbs.	kg
B381	2 ³ / ₈ "	(60.3)	6"	(152.4)	7 ⁵ / ₈ "	(193.7)	110	(49.9)
B382	4 ³ / ₈ "	(111.1)	8"	(203.2)	9 ⁵ / ₈ "	(244.5)	164	(74.4)
B383	6 ³ / ₈ "	(161.9)	10"	(254.0)	11 ⁵ / ₈ "	(295.3)	200	(90.7)
B384	8 ³ / ₈ "	(212.7)	12"	(304.8)	13 ⁵ / ₈ "	(346.1)	253	(114.7)
B385	10 ³ / ₈ "	(263.5)	14"	(355.6)	15 ⁵ / ₈ "	(396.9)	318	(144.2)

B587-1/2, 3/4 & 1 Pipe Coupling Fitting

- Safety Factor of 2.5
- Standard finishes: ZN, GRN



Part No.	For Pipe Size		Wt./C		Design Load
	In.	mm	Lbs.	kg	Lbs. kN
B587-1/2	1/2"	(15)	77	(34.9)	1000 (4.45)
B587-3/4	3/4"	(20)	84	(38.1)	1400 (6.23)
B587-1	1"	(25)	105	(47.6)	1900 (8.45)

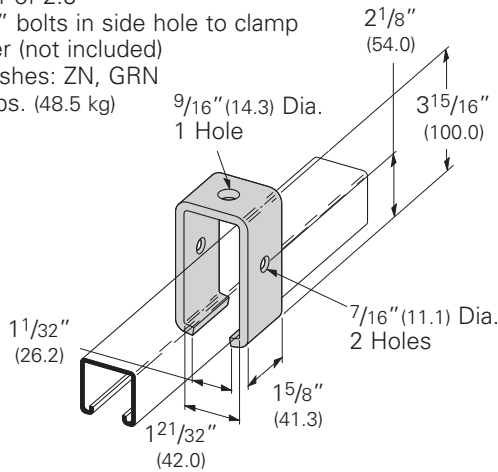
4Dimension compatible fitting

Reference page 73 for general fitting and standard finish specifications.

Miscellaneous Fittings

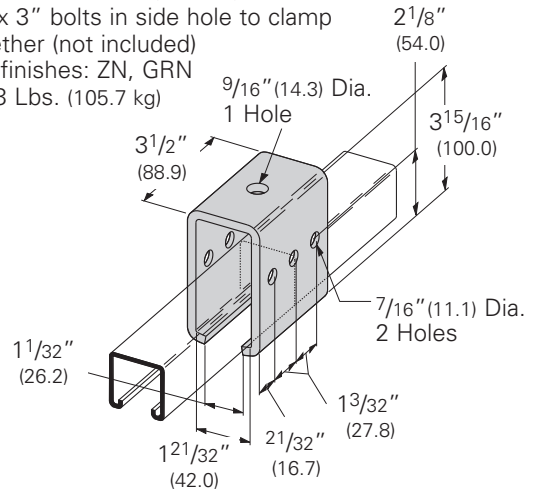
B349 Trolley Beam Support

- Design Load 1200 Lbs. (5.34 kN)
- Safety Factor of 2.5
- Use $\frac{3}{8}$ " x 3" bolts in side hole to clamp strut together (not included)
- Standard finishes: ZN, GRN
- Wt./C 107 Lbs. (48.5 kg)



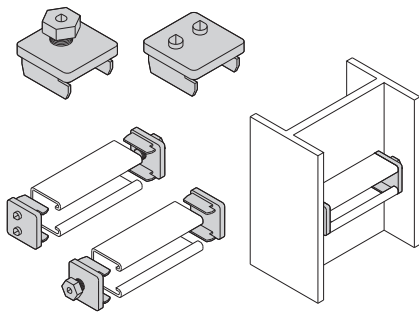
B350 Trolley Beam Joint Support

- Design Load 1200 Lbs. (5.34 kN)
- Use $\frac{3}{8}$ " x 3" bolts in side hole to clamp strut together (not included)
- Standard finishes: ZN, GRN
- Wt./C 233 Lbs. (105.7 kg)



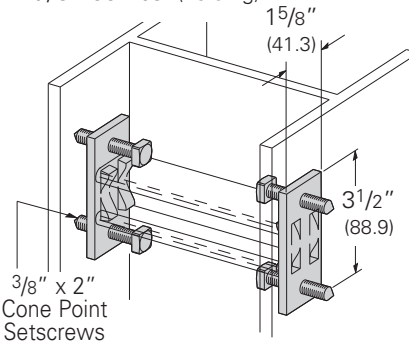
B614 Column Support for B22

- Quick installation (one bolt to tighten)
- Design Load 800 Lbs. (3.56 kN) Slip with Safety Factor of 3
- Use with B22 and B24 Channel
- Sold in pairs
- Standard finish: ZN
- Wt./C 50 Lbs. (22.6 kg)



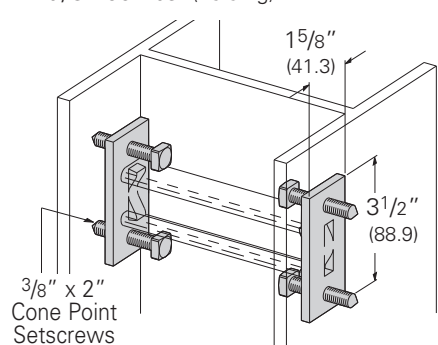
B613 Column Support for B22

- Design Load 800 Lbs. (3.56 kN) Slip with Safety Factor of 3
- Use with B22 and B24 Channel
- Setscrews to be torqued to 19 ft./Lbs
- Sold in pairs
- Standard finishes: ZN, GRN, HDG
- Wt./C 100 Lbs. (45.3 kg)



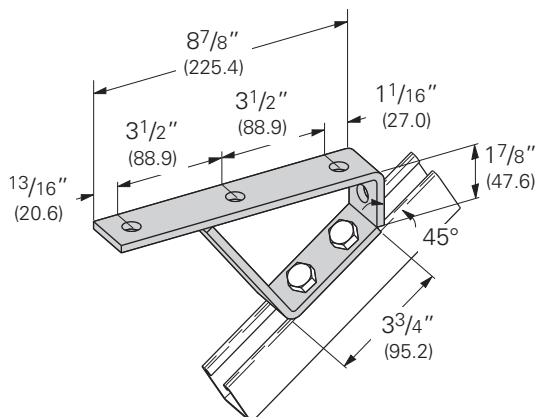
B613A Column Support for B52

- Design Load 800 Lbs. (3.56 kN) Slip with Safety Factor of 3
- Use with B52 and B54 Channel
- Setscrews to be torqued to 19 ft./Lbs
- Sold in pairs
- Standard finishes: ZN, GRN, HDG
- Wt./C 100 Lbs. (45.3 kg)



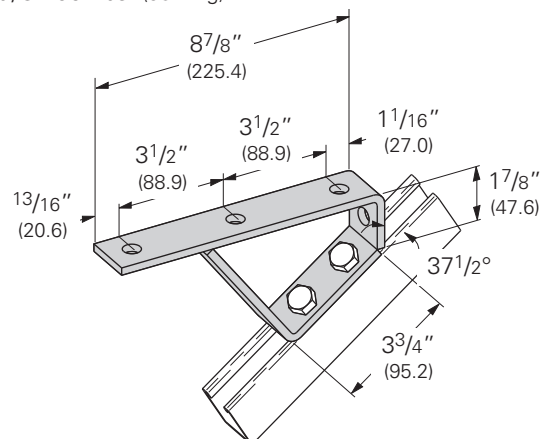
B560 45° Stair Support

- Standard finishes: ZN, GRN
- Wt./C 220 Lbs. (99.8 kg)



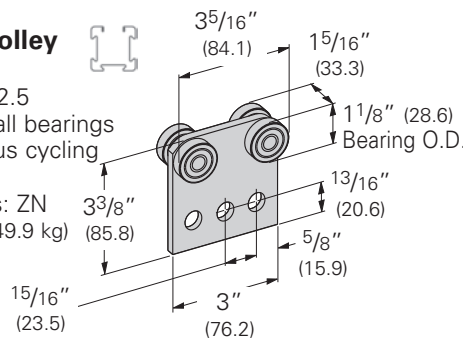
B562 37 1/2° Stair Support

- Standard finishes: ZN, GRN
- Wt./C 206 Lbs. (93.4 kg)



B376 Four Bearing Trolley Assembly

- Safety Factor of 2.5
- Stainless steel ball bearings
- Not for continuous cycling applications
- Standard finishes: ZN
- Wt./C 110 Lbs. (49.9 kg)

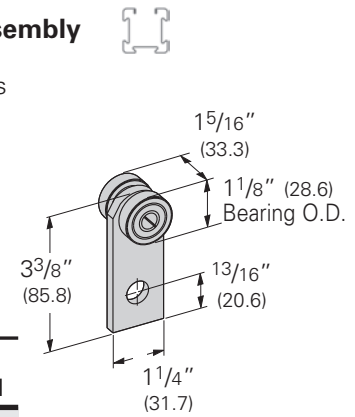


Design Load in B22		
Lbs.	kN	RPM
300	(1.33)	@600
450	(2.00)	@300
600	(2.67)	@100

Design Load

B377 Two Bearing Trolley Assembly

- Safety Factor of 2.5
- Stainless steel ball bearings
- Not for continuous cycling applications
- Standard finishes: ZN
- Wt./C 48 Lbs. (21.8 kg)

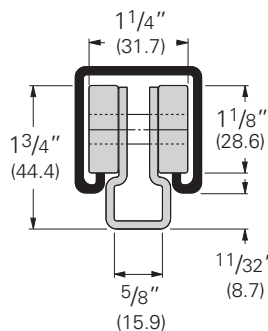


Design Load in B22		
Lbs.	kN	RPM
150	(.67)	@600
225	(1.00)	@300
437	(1.94)	@100

Design Load

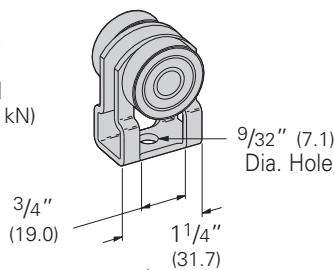
B477 Two Bearing Light Duty Trolley Assembly

- Design Load 50 Lbs. (.22 kN)
- Safety Factor of 2.5
- Stainless steel ball bearings
- Not for continuous cycling applications
- Material: 12 Gauge (2.6) ASTM A1011 33,000 PSI min. yield
- Standard finishes: ZN
- Wt./C 30 Lbs. (13.6 kg)



B477P With Plastic Bearings

- Design Load 10 Lbs. (.045 kN)



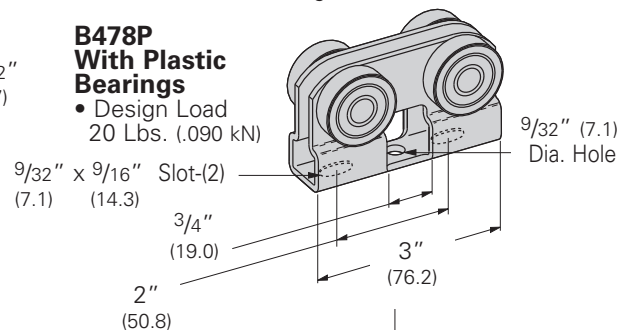
Design Load

B478 Four Bearing Light Duty Trolley Assembly

- Design Load 100 Lbs. (.44 kN)
- Safety Factor of 2.5
- Stainless steel ball bearings
- Not for continuous cycling applications
- Material: 12 Gauge (2.6) ASTM A1011 33,000 PSI min. yield
- Standard finishes: ZN
- Wt./C 68 Lbs. (30.8 kg)

B478P With Plastic Bearings

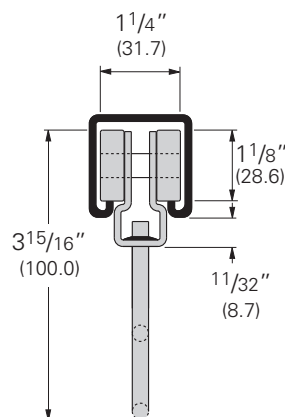
- Design Load 20 Lbs. (.090 kN)



Design Load

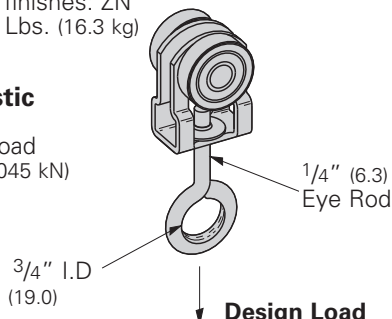
B477H Two Bearing Light Duty Trolley Assembly with Eye Hook

- Design Load 50 Lbs. (.22 kN)
- Safety Factor of 2.5
- Stainless steel ball bearings
- Not for continuous cycling applications
- Material: 12 Gauge (2.6) ASTM A1011 33,000 PSI min. yield
- Standard finishes: ZN
- Wt./C 36 Lbs. (16.3 kg)



B477HP With Plastic Bearings

- Design Load 10 Lbs. (.045 kN)



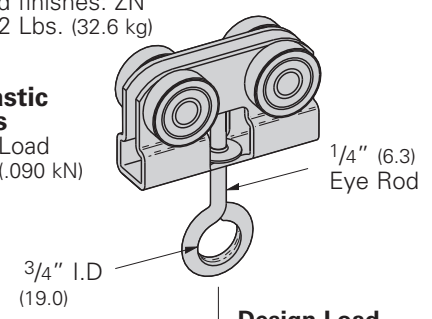
Design Load

B478H Four Bearing Light Duty Trolley Assembly with Eye Hook

- Design Load 100 Lbs. (.44 kN)
- Safety Factor of 2.5
- Stainless steel ball bearings
- Not for continuous cycling applications
- Material: 12 Gauge (2.6) ASTM A1011 33,000 PSI min. yield
- Standard finishes: ZN
- Wt./C 72 Lbs. (32.6 kg)

B478HP With Plastic Bearings

- Design Load 20 Lbs. (.090 kN)



Design Load

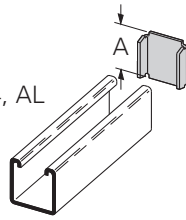
4Dimension compatible fitting

Reference page 73 for general fitting and standard finish specifications.

Miscellaneous Fittings

B203-B206 & B220-B223 Channel End Caps Type X

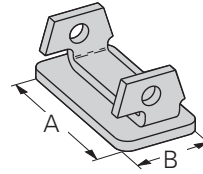
- Material: ASTM A1011 CS Type B
- Standard finishes: ZN, GRN, HDG, SS4, AL



Part No.	Use With	A		Wt./C	
		In.	mm	Lbs.	kg
B203	B42	1.015	(25.8)	6	(2.7)
B204	B54	.827	(21.0)	5	(2.2)
B205	B22	1.640	(41.6)	10	(4.5)
B206	B32	1.390	(35.3)	8	(3.6)
B220	B52	.827	(21.0)	4	(1.8)
B221	B12	2.452	(62.3)	15	(6.8)
B222	B11	3.265	(82.9)	20	(9.1)
B223	B24	1.640	(41.6)	10	(4.5)

B283-B286 Channel End Caps

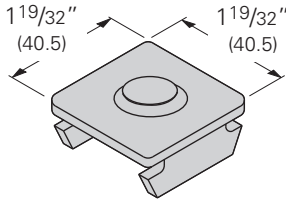
- Material: ASTM A1011 33,000 PSI min. yield
- Standard finishes: ZN, GRN



Part No.	Use With	A		B		Wt./C	
		In.	mm	In.	mm	Lbs.	kg
B283	B52	1 ¹⁹ / ₃₂ "	(40.5)	2 ⁵ / ₃₂ "	(19.8)	6	(2.7)
B284	B54 & B56	1 ¹⁹ / ₃₂ "	(40.5)	2 ⁵ / ₃₂ "	(19.8)	6	(2.7)
B285	B22	1 ¹⁹ / ₃₂ "	(40.5)	1 ¹⁹ / ₃₂ "	(40.5)	13	(5.9)
B286	B24 & B26	1 ¹⁹ / ₃₂ "	(40.5)	1 ¹⁹ / ₃₂ "	(40.5)	14	(6.3)

B287 & B288 Channel End Caps

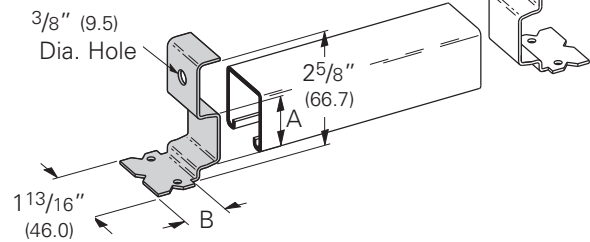
- Material: ASTM A1011 33,000 PSI min. yield
- Standard finishes: ZN, GRN



Part No.	Use With	Wt./C	
		Lbs.	kg
B287	B22	13	(5.9)
B288	B24	14	(6.3)

B3322, B3332, B3342, B3352 Anchor End Caps Type Y

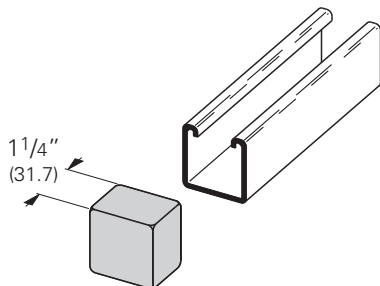
- Material: ASTM A1011 33,000 PSI min. yield
- Standard finishes: ZN



Part No.	Use With	A		B		Wt./C	
		In.	mm	In.	mm	Lbs.	kg
B3322	B221	1.270	(32.2)	1 ³ / ₁₆ "	(30.2)	15	(6.8)
B3332	B321	1.000	(25.4)	1 ³ / ₁₆ "	(30.2)	15	(6.8)
B3342	B421	.645	(16.4)	1 ¹ / ₄ "	(31.8)	15	(6.8)
B3352	B521	.460	(11.7)	1 ⁵ / ₁₆ "	(33.3)	15	(6.8)

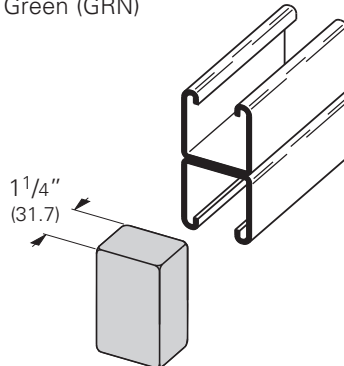
B822 Plastic End Cap for B22 & B24

- Material: Polyvinyl Chloride (PVC/Vinyl)
- Withstands intermittent temperatures up to 350°F (177°C) and 200°F (93°C) continuous
- Wt./C 3 Lbs. (1.3 kg)
- Available in colors: White (W), Yellow (Y), Black (BLK), Gray (GRY), Green (GRN)



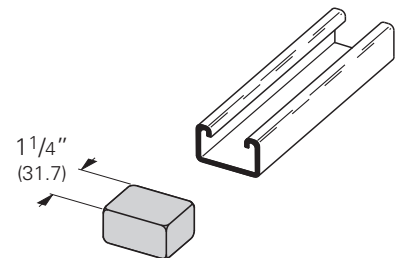
B822A Plastic End Cap for B22A & B11

- Material: Polyvinyl Chloride (PVC/Vinyl)
- Withstands intermittent temperatures up to 350°F (177°C) and 200°F (93°C) continuous
- Wt./C 5 Lbs. (2.2 kg)
- Available in colors: White (W), Yellow (Y), Black (BLK), Gray (GRY), Green (GRN)



B852 Plastic End Cap for B52

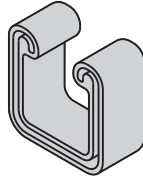
- Material: Polyvinyl Chloride (PVC/Vinyl)
- Withstands intermittent temperatures up to 350°F (177°C) and 200°F (93°C) continuous
- Wt./C 2.5 Lbs. (1.1 kg)
- Available in colors: White (W), Yellow (Y), Black (BLK), Gray (GRY), Green (GRN)



Miscellaneous Fittings

B823 Profile End Caps

- Material: Polyvinyl Chloride (PVC/Vinyl)
- Withstands intermittent temperatures up to 350°F (177°C) and 200°F (93°C) continuous
- Available in colors: White (W), Yellow (Y), Black (BLK), Gray (GRY), Green (GRN)

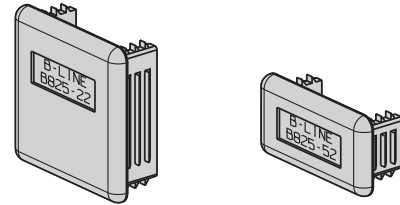


Approx. 3/4" deep
(19.0)

Part No.	Fits Channel Sizes	Wt./C	
		Lbs.	kg
B823-22A	B22A, B24A, B26A	6.9	(3.1)
B823-22	B22, B24, B26	4.1	(1.8)
B823-42	B42	3.8	(1.7)
B823-52	B52, B54, B56	3.5	(1.6)

B825 Plastic End Caps

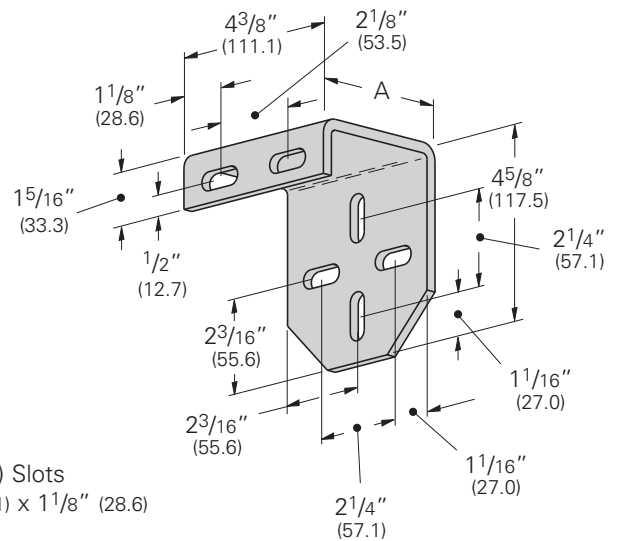
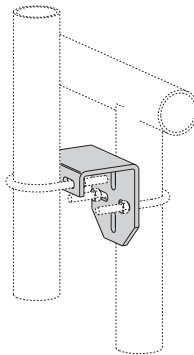
- Material: Polyurethane
- Available in colors: Gray (GRY), Green (GRN)



Part No.	Fits Channel Sizes	Wt./C	
		Lbs.	kg
B825-22	B22 & B24	2.0	(0.9)
B825-52	B52 & B54	1.0	(0.4)

B408SLBVNS Series Stand-Off Brackets

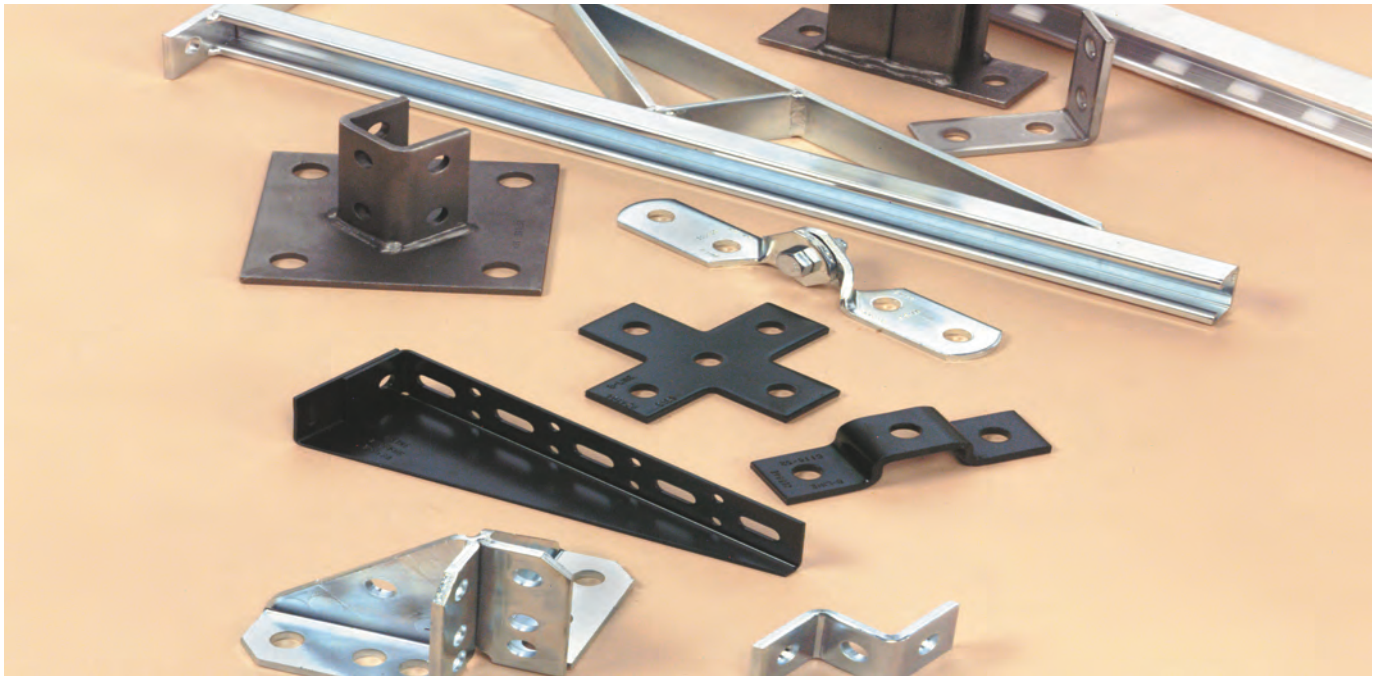
- Material: 1/4" (6.3)
- Standard Finishes: HDG, ZN, GRN
- For pipe or rigid conduit sizes of 1 1/2" (40) and 2" (50) use with B501 Series 'U'-Bolts (see page 53)
- For strut channels 1 5/8" (41.3) wide use with B500 Series Square 'U'-Bolts (see page 53)
- Hardware is not included



Part No.	A In. (mm)	Wt./C	
		Lbs.	kg
B408SLBVNS	3 1/2" (88.9)	189	(85.7)
B408SLBVNS1	3" (76.2)	220	(99.8)
B408SLBVNS2	2" (50.8)	236	(107.0)

Reference page 73 for general fitting and standard finish specifications.

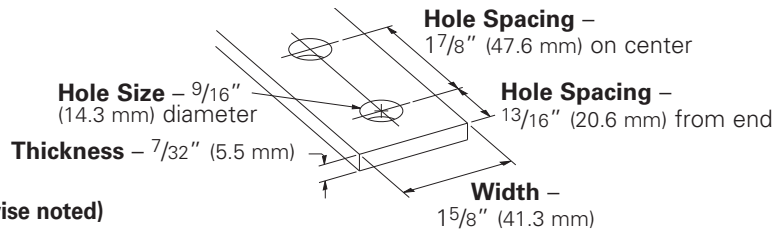
Fittings



This section offers a full selection of fittings and accessories to complete our strut system. Fittings are made from hot rolled, pickled and oiled plate or strip steel in accordance with ASTM A1018 33,000 PSI min. yield, unless noted.

Dimensions

The following dimensions apply to all fittings except as noted:



Materials & Finishes (Unless otherwise noted)

Finish Code	Finish	Specification
PLN	Plain	ASTM A1018 33,000 PSI min. yield
ZN	Electro-Plated Zinc	ASTM B633 SC3 Type III or ASTM A653
GRN	DURA GREEN™	
HDG	Hot-Dipped Galvanized	ASTM A123
SS4	Stainless Steel Type 304	ASTM A240
SS6	Stainless Steel Type 316	ASTM A240
AL	Aluminum	ASTM B209

Note: A minimum order may apply on special material and finishes.

Hardware

Nuts and bolts are not included with the fittings and must be ordered separately, unless noted.

Pre-Assembled Fittings

Some fittings are available with hex head cap screws and channel nuts pre-assembled. These fittings and finishes will be flagged using the following symbol.



PA ^{ZN}
GRN

Metric

Metric dimensions are shown in parentheses. Unless noted, all metric dimensions are in millimeters.

Load Data

The load data published includes safety factor of 2.5 when used with 12 ga. (2.6) channel (safety factor = ratio of ultimate load to the design load).

Use 1/2"-13 x 7/8" hex head cap screws and 1/2"-13 (N225 or TN225) channel nuts for the rated results.

Recommended Bolt Torque

Bolt Size	1/4"-20	5/16"-18	3/8"-16	1/2"-13
Foot/Lbs.	6	11	19	50
Nm	8	15	26	68

See chart on page 113 for setscrew torque.

4Dimension™ Strut System Compatible

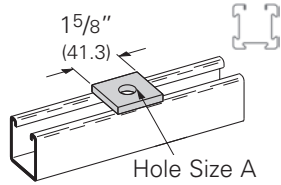
These fittings and finishes will be flagged using the following symbol.



Flat Plate Fittings

B200-B202-2

- Standard finishes: ZN, GRN, HDG, SS4, SS6, AL

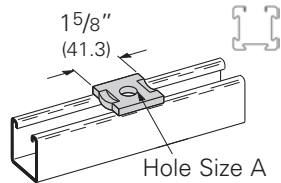


SQUARE WASHER

Part No.	A		Bolt Size		Wt./C	
	In.	mm	In.	mm	Lbs.	kg
B200	3/8"	(9.5)	5/16"	(7.9)	18	(8.1)
B201	7/16"	(11.1)	3/8"	(9.5)	18	(8.1)
B202	9/16"	(14.2)	1/2"	(12.7)	17	(7.7)
B202-1	11/16"	(17.4)	5/8"	(15.9)	16	(7.2)
B202-2	13/16"	(20.6)	3/4"	(19.0)	15	(6.8)
B202-3	15/16"	(23.8)	7/8"	(22.2)	14	(6.3)

B200D-B202-2D

- Standard finishes: ZN, GRN, HDG, SS4, SS6, AL



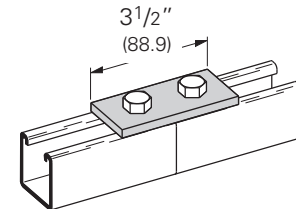
NO TWIST SQUARE WASHER

Part No.	A		Bolt Size		Wt./C	
	In.	mm	In.	mm	Lbs.	kg
B200D	3/8"	(9.5)	5/16"	(7.9)	18	(8.1)
B201D	7/16"	(11.1)	3/8"	(9.5)	18	(8.1)
B202D	9/16"	(14.2)	1/2"	(12.7)	17	(7.7)
B202-1D	11/16"	(17.4)	5/8"	(15.9)	16	(7.2)
B202-2D	13/16"	(20.6)	3/4"	(19.0)	15	(6.8)

B129

Two Hole Splice Plate

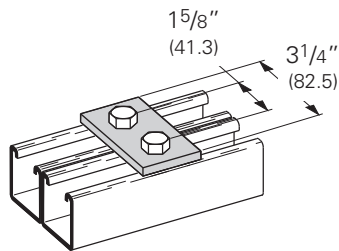
- Standard finishes: ZN, GRN
- Wt./C 37 Lbs. (16.8 kg)



B340

Two Hole Splice Plate

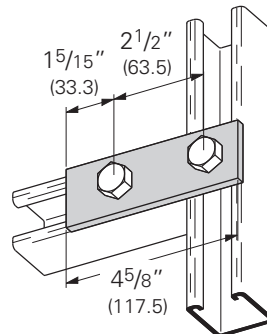
- Standard finishes: ZN, GRN
- Wt./C 34 Lbs. (15.4 kg)



B528

Two Hole Splice Plate

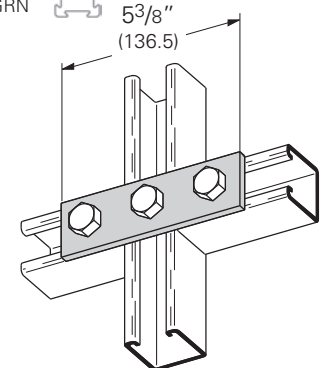
- Standard finishes: ZN, GRN
- Wt./C 50 Lbs. (22.7 kg)



B141

Three Hole Splice Plate

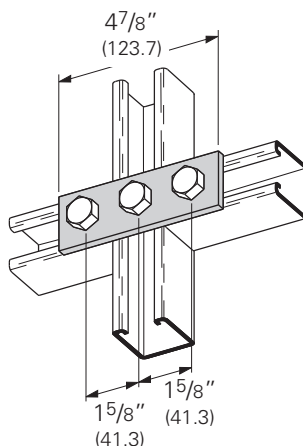
- Standard finishes: ZN, GRN
- Wt./C 55 Lbs. (24.9 kg)



B557

Three Hole Splice Plate

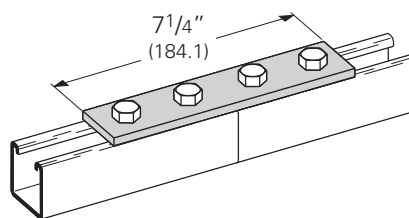
- Standard finishes: ZN, GRN
- Wt./C 50 Lbs. (22.7 kg)



B341

Four Hole Splice Plate

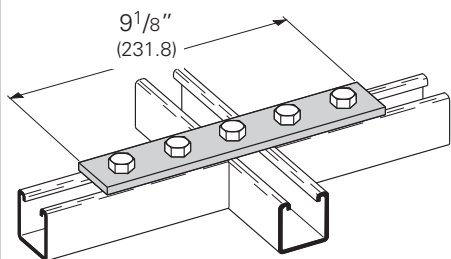
- Standard finishes: ZN, GRN, HDG
- Wt./C 76 Lbs. (34.5 kg)



B342

Five Hole Splice Plate

- Standard finishes: ZN, GRN
- Wt./C 96 Lbs. (43.5 kg)



PA Pre-assembled fitting



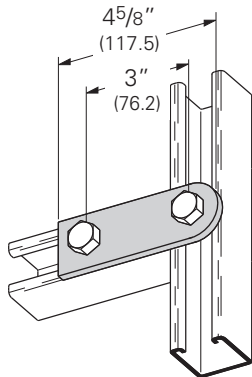
4Dimension compatible fitting

Reference page 73 for general fitting and standard finish specifications.

Flat Plate Fittings

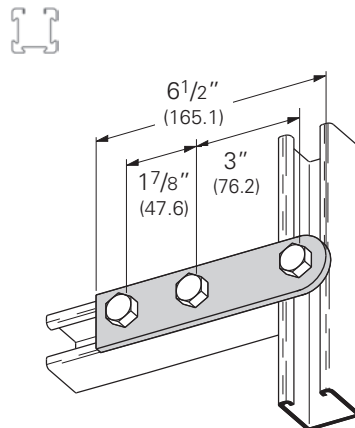
B138 Two Hole Swivel Plate

- Standard finishes: ZN, GRN
- Wt./C 48 Lbs. (21.8 kg)



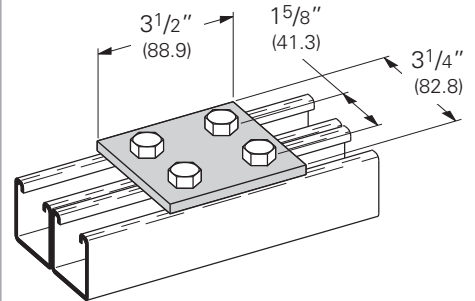
B139 Three Hole Swivel Plate

- Standard finishes: ZN, GRN
- Wt./C 69 Lbs. (31.3 kg)



B504 Four Hole Splice Plate

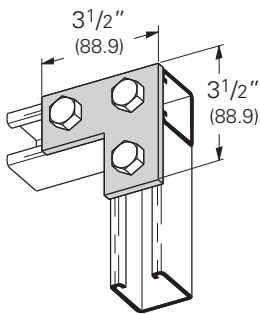
- Standard finishes: ZN, GRN
- Wt./C 73 Lbs. (33.1 kg)



B140 Three Hole Corner Plate

- Standard finishes: ZN, GRN, HDG, SS4
- Wt./C 56 Lbs. (25.4 kg)

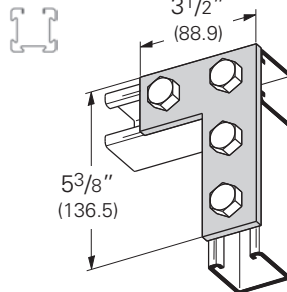
PA ZN
GRN



B143 Four Hole Corner Plate

- Standard finishes: ZN, GRN, HDG, SS4
- Wt./C 75 Lbs. (34.0 kg)

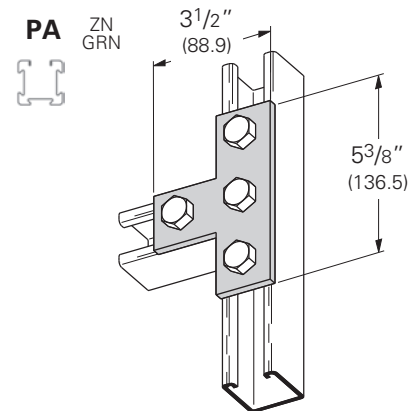
PA ZN
GRN



B133 Four Hole Tee Plate

- Standard finishes: ZN, GRN, HDG, SS4, AL
- Wt./C 75 Lbs. (34.0 kg)

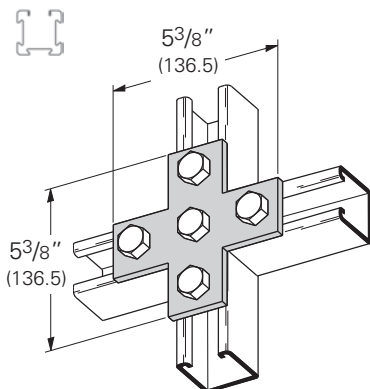
PA ZN
GRN



B132 Five Hole Cross Plate

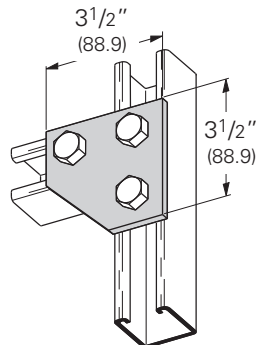
- Standard finishes: ZN, GRN, HDG
- Wt./C 100 Lbs. (45.3 kg)

PA ZN
GRN



B135 Three Hole Corner Gusset Plate

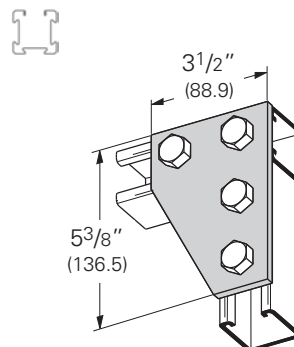
- Standard finishes: ZN, GRN
- Wt./C 70 Lbs. (31.7 kg)



B142 Four Hole Corner Gusset Plate

- Standard finishes: ZN, GRN, HDG
- Wt./C 102 Lbs. (46.2 kg)

PA ZN
GRN



PA Pre-assembled fitting

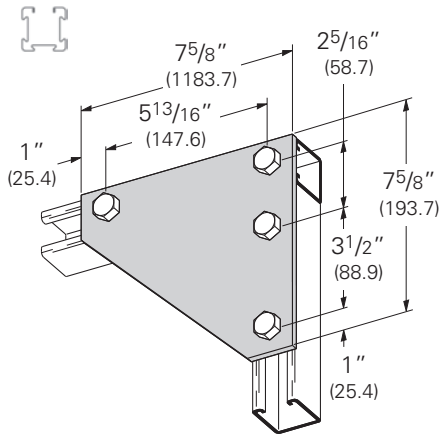
 4Dimension compatible fitting

Reference page 73 for general fitting and standard finish specifications.

Flat Plate Fittings

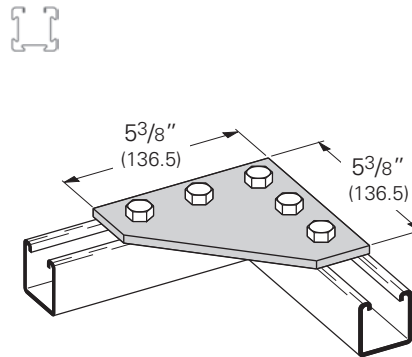
B137 Four Hole Corner Gusset Plate

- Standard finishes: ZN, GRN
- Wt./C 273 Lbs. (123.8 kg)



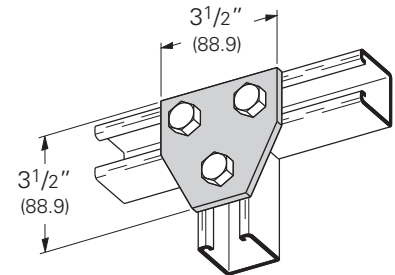
B556 Five Hole Corner Gusset Plate

- Standard finishes: ZN, GRN
- Wt./C 145 Lbs. (65.8 kg)



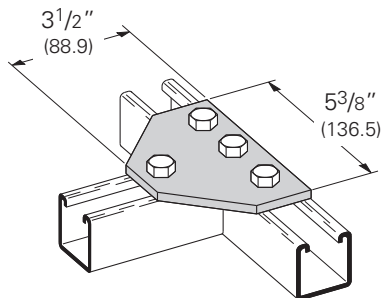
B337 Three Hole Tee Gusset Plate

- Standard finishes: ZN, GRN
- Wt./C 70 Lbs. (31.7 kg)



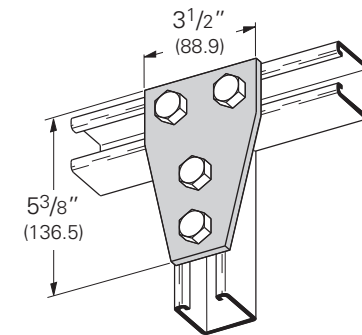
B432 Four Hole Tee Gusset Plate

- Standard finishes: ZN, GRN
- Wt./C 100 Lbs. (45.3 kg)



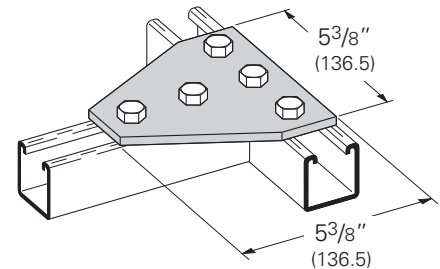
B136 Four Hole Tee Gusset Plate

- Standard finishes: ZN, GRN, HDG
- Wt./C 100 Lbs. (45.3 kg)



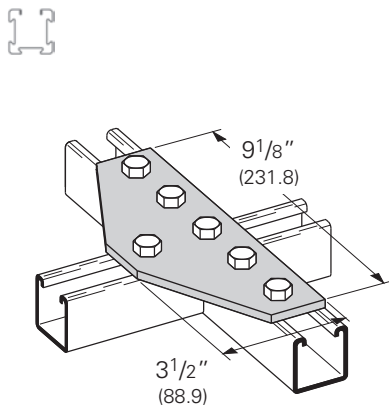
B532 Five Hole Tee Gusset Plate

- Standard finishes: ZN, GRN
- Wt./C 143 Lbs. (64.8 kg)



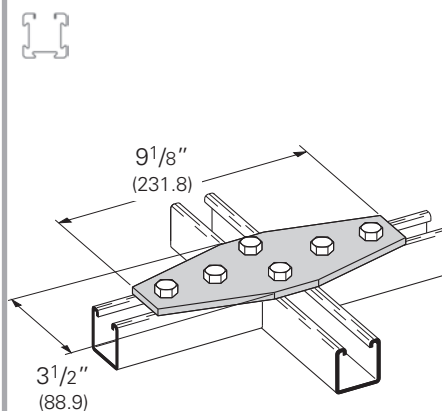
B339 Six Hole Tee Gusset Plate

- Standard finishes: ZN, GRN
- Wt./C 149 Lbs. (67.6 kg)



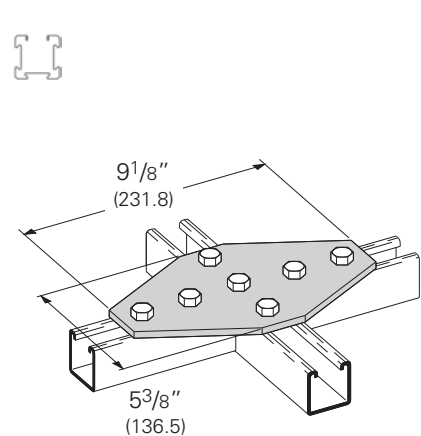
B568 Six Hole Cross Gusset Plate

- Standard finishes: ZN, GRN
- Wt./C 166 Lbs. (75.3 kg)



B334 Seven Hole Cross Gusset Plate

- Standard finishes: ZN, GRN
- Wt./C 232 Lbs. (105.2 kg)



PA Pre-assembled fitting

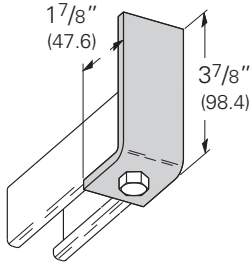
 4Dimension compatible fitting

Reference page 73 for general fitting and standard finish specifications.

90° Angle Fittings

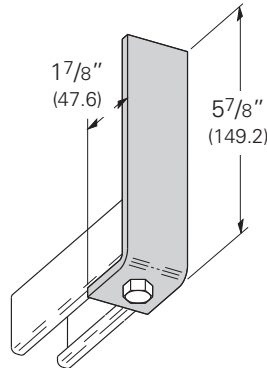
B420-378 One Hole Corner Angle

- Standard finishes: ZN, GRN
- Wt./C 60 Lbs. (27.2 kg)



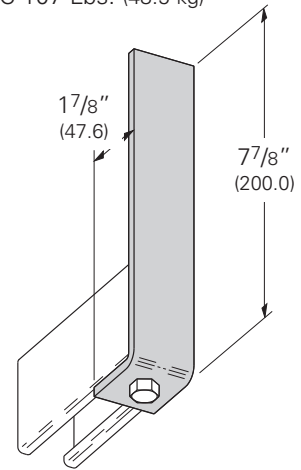
B420-578 One Hole Corner Angle

- Standard finishes: ZN, GRN
- Wt./C 85 Lbs. (38.5 kg)



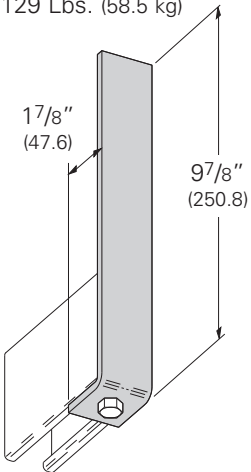
B420-778 One Hole Corner Angle

- Standard finishes: ZN, GRN
- Wt./C 107 Lbs. (48.5 kg)



B420-978 One Hole Corner Angle

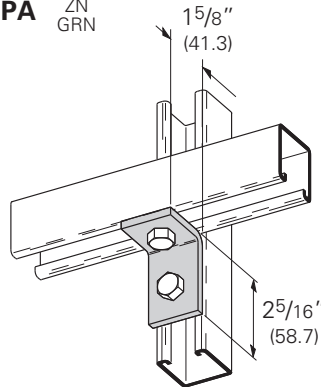
- Standard finishes: ZN, GRN
- Wt./C 129 Lbs. (58.5 kg)



B101 Two Hole Corner Angle

- Standard finishes: ZN, GRN, HDG, SS4, AL
- Wt./C 37 Lbs. (16.8 kg)

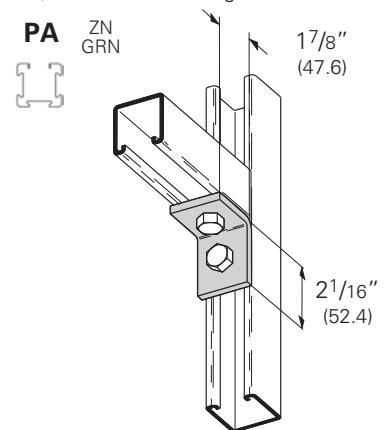
PA ZN GRN



B230 Two Hole Corner Angle

- Standard finishes: ZN, GRN, HDG, SS4, AL
- Wt./C 37 Lbs. (16.8 kg)

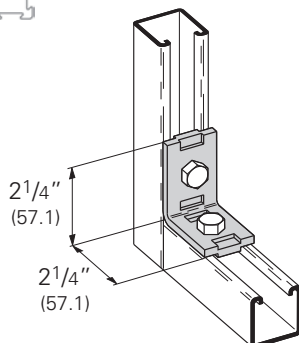
PA ZN GRN



B231 Two Hole "No-Twist" Corner Angle

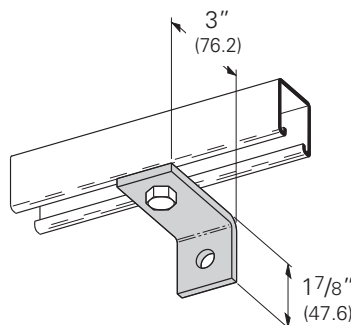
- Standard finishes: ZN, GRN, HDG
- Wt./C 41 Lbs. (18.6 kg)

PA ZN GRN



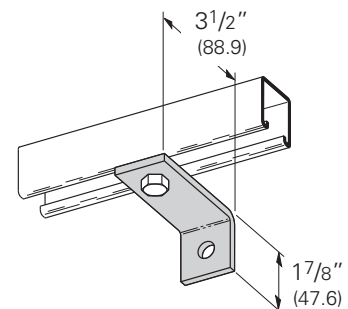
B359 Two Hole Corner Angle

- Standard finishes: ZN, GRN
- Wt./C 48 Lbs. (21.8 kg)



B360 Two Hole Corner Angle

- Standard finishes: ZN, GRN
- Wt./C 53 Lbs. (24.0 kg)



PA Pre-assembled fitting

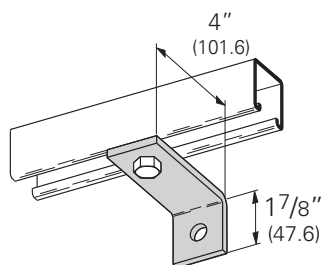


4Dimension compatible fitting

Reference page 73 for general fitting and standard finish specifications.

B361 Two Hole Corner Angle

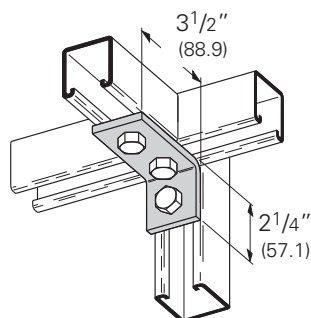
- Standard finishes: ZN, GRN
- Wt./C 60 Lbs. (27.2 kg)



B102 Three Hole Corner Angle

- Standard finishes: ZN, GRN, HDG, SS4
- Wt./C 56 Lbs. (25.4 kg)

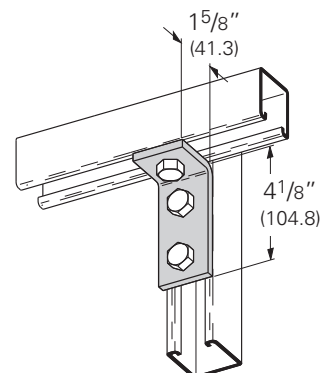
PA ZN
GRN



B103 Three Hole Corner Angle

- Standard finishes: ZN, GRN, HDG, SS4
- Wt./C 56 Lbs. (25.4 kg)

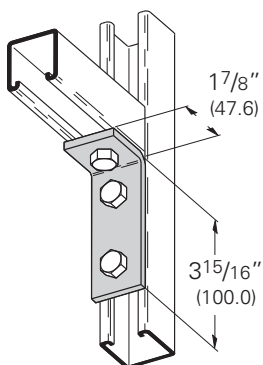
PA ZN
GRN



B232 Three Hole Corner Angle

- Standard finishes: ZN, GRN, HDG, SS4
- Wt./C 56 Lbs. (25.4 kg)

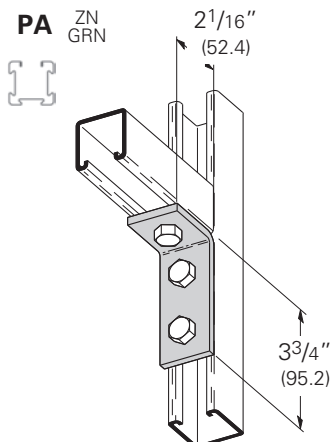
PA ZN
GRN



B374 Three Hole Corner Angle

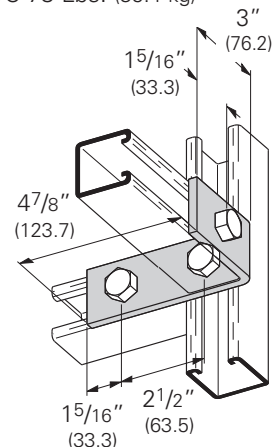
- Standard finishes: ZN, GRN, HDG
- Wt./C 56 Lbs. (25.4 kg)

PA ZN
GRN



B529 Three Hole Corner Angle

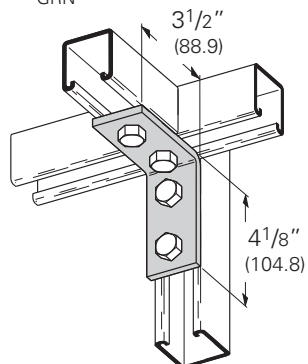
- Standard finishes: ZN, GRN
- Wt./C 78 Lbs. (35.4 kg)



B104 Four Hole Corner Angle

- Standard finishes: ZN, GRN, HDG, SS4, SS6, AL
- Wt./C 78 Lbs. (35.4 kg)

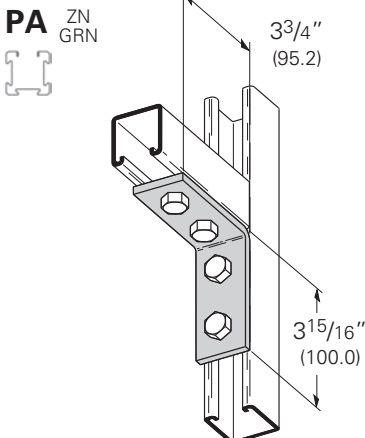
PA ZN
GRN



B115 Four Hole Corner Angle

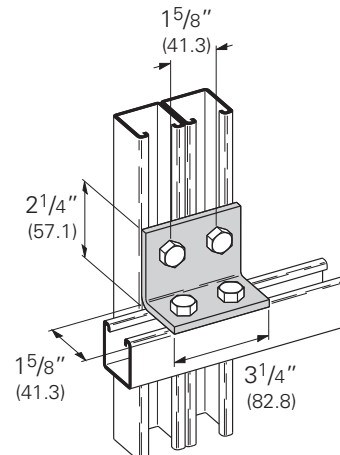
- Standard finishes: ZN, GRN, HDG, SS4, AL
- Wt./C 76 Lbs. (34.5 kg)

PA ZN
GRN



B558 Four Hole Corner Angle

- Standard finishes: ZN, GRN
- Wt./C 73 Lbs. (33.1 kg)



PA Pre-assembled fitting



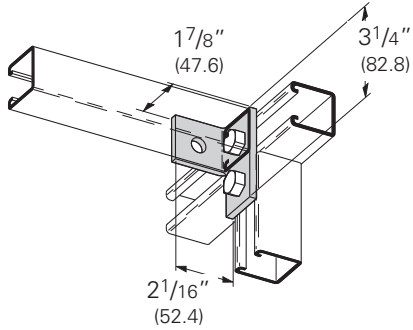
4Dimension compatible fitting

Reference page 73 for general fitting and standard finish specifications.

90° Angle Fittings

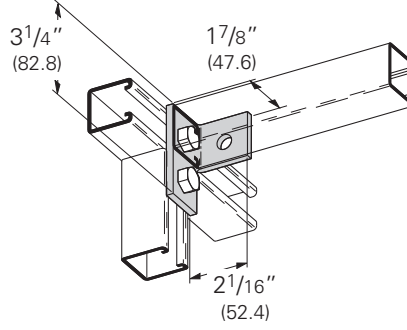
B235R Three Hole (Right Hand) Offset Bent Angle

- 1⁵/₈" (41.3) from center to center of the holes that are shown with bolt heads
- Standard finishes: ZN, GRN
- Wt./C 53 Lbs. (24.0 kg)



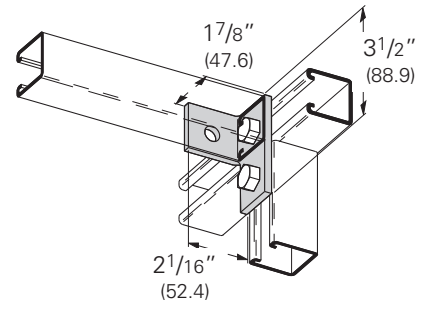
B235L Three Hole (Left Hand) Offset Bent Angle

- 1⁵/₈" (41.3) from center to center of the holes that are shown with bolt heads
- Standard finishes: ZN, GRN
- Wt./C 53 Lbs. (24.0 kg)



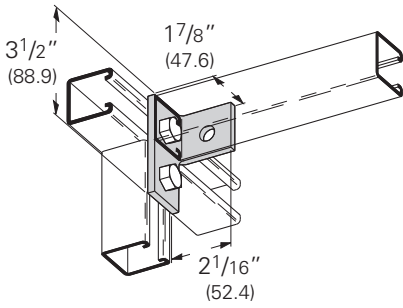
B236R Three Hole (Right Hand) Offset Bent Angle

- Standard finishes: ZN, GRN
- Wt./C 65 Lbs. (29.5 kg)



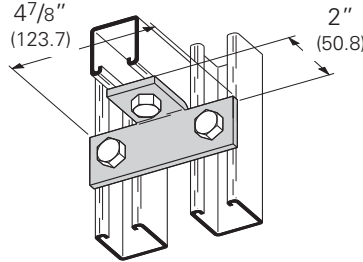
B236L Three Hole (Left Hand) Offset Bent Angle

- Standard finishes: ZN, GRN
- Wt./C 65 Lbs. (29.5 kg)



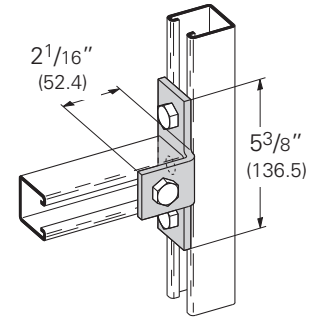
B237 Three Hole Offset Bent Tee

- Standard finishes: ZN, GRN
- Wt./C 71 Lbs. (32.2 kg)



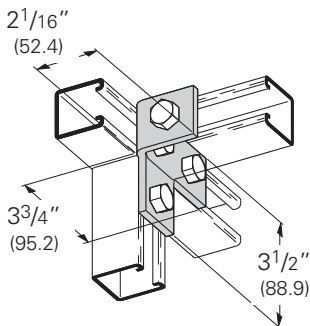
B357 Four Hole Offset Bent Tee

- Standard finishes: ZN, GRN
- Wt./C 77 Lbs. (34.9 kg)



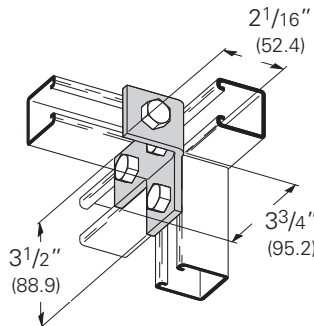
B238R Four Hole (Right Hand) Offset Bent Tee

- Standard finishes: ZN, GRN
- Wt./C 76 Lbs. (34.5 kg)



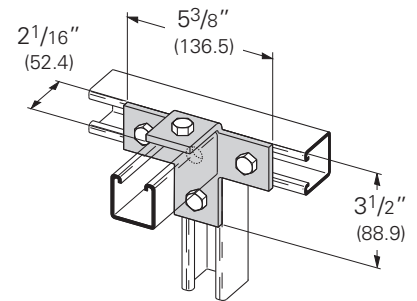
B238L Four Hole (Left Hand) Offset Bent Tee

- Standard finishes: ZN, GRN
- Wt./C 76 Lbs. (34.5 kg)



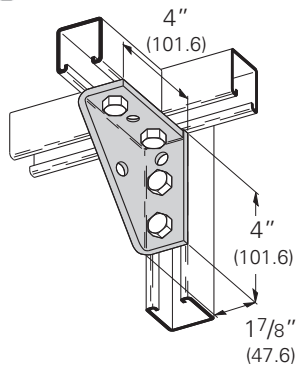
B239 Five Hole Offset Bent Tee

- Standard finishes: ZN, GRN
- Wt./C 96 Lbs. (43.5 kg)



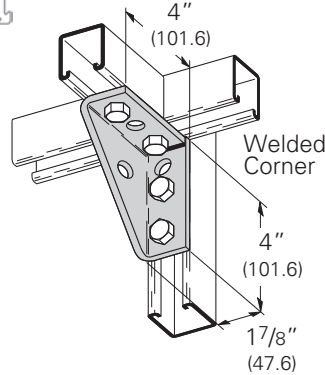
**B844
Universal Shelf Bracket**

- Standard finishes: ZN, GRN, HDG, SS4
- Wt./C 132 Lbs. (59.9 kg)



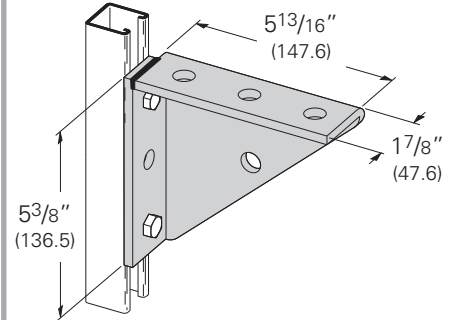
**B844W
Universal Shelf Bracket -
Welded**

- Standard finishes: ZN, GRN
- Wt./C 134 Lbs. (60.8 kg)



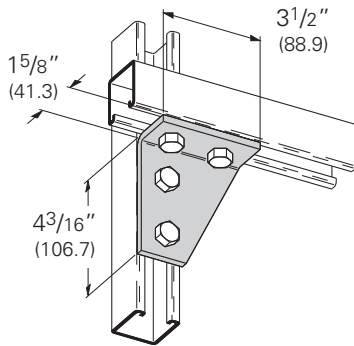
**B888W
Universal Shelf Bracket -
Welded**

- Standard finishes: ZN, GRN
- Wt./C 197 Lbs. (89.4 kg)



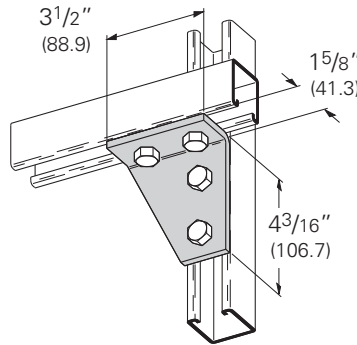
**B234R
Four Hole (Right Hand)
Corner Gusset**

- Standard finishes: ZN, GRN, HDG
- Wt./C 100 Lbs. (45.3 kg)



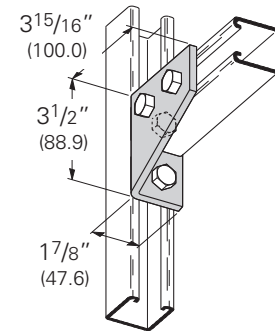
**B234L
Four Hole (Left Hand)
Corner Gusset**

- Standard finishes: ZN, GRN, HDG
- Wt./C 100 Lbs. (45.3 kg)



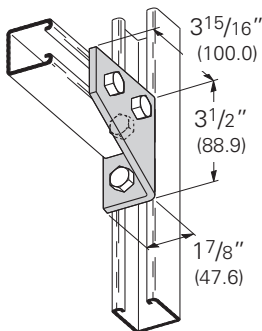
**B134R
Four Hole (Right Hand)
Corner Gusset**

- Standard finishes: ZN, GRN
- Wt./C 100 Lbs. (45.3 kg)



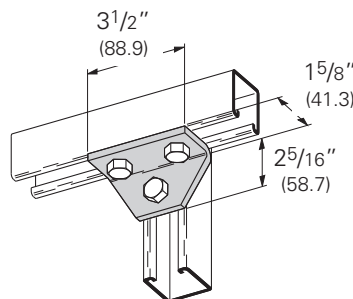
**B134L
Four Hole (Left Hand)
Corner Gusset**

- Standard finishes: ZN, GRN
- Wt./C 100 Lbs. (45.3 kg)



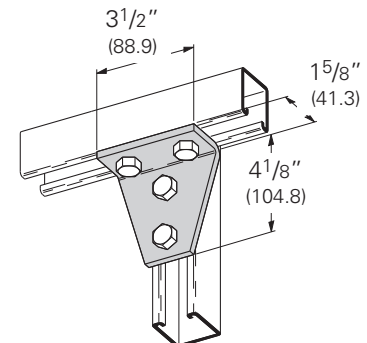
**B125
Three Hole Gussetted
Shelf Angle**

- Standard finishes: ZN, GRN
- Wt./C 67 Lbs. (30.4 kg)



**B118
Four Hole Gussetted
Shelf Angle**

- Standard finishes: ZN, GRN, HDG
- Wt./C 102 Lbs. (46.2 kg)



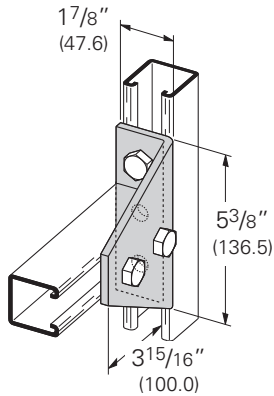
Reference page 73 for general fitting and standard finish specifications.

90° Angle Fittings

B485

Four Hole Gussetted Shelf Angle

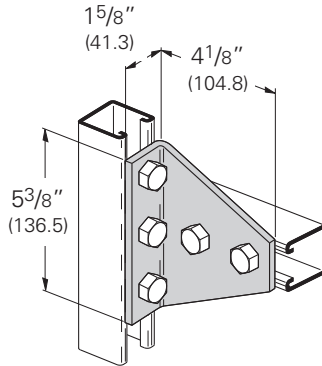
- Standard finishes: ZN, GRN
- Wt./C 148 Lbs. (67.1 kg)



B533

Five Hole Gussetted Shelf Angle

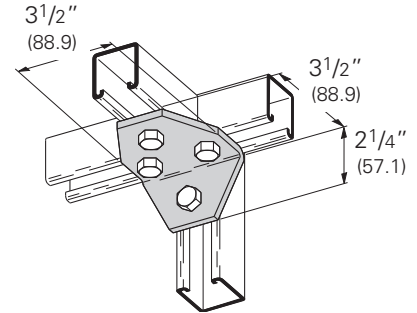
- Standard finishes: ZN, GRN
- Wt./C 141 Lbs. (63.9 kg)



B126

Four Hole Gussetted Three Way Shelf Angle

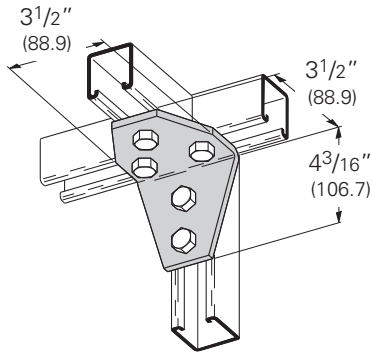
- Standard finishes: ZN, GRN
- Wt./C 101 Lbs. (45.8 kg)



B127

Five Hole Gussetted Three Way Shelf Angle

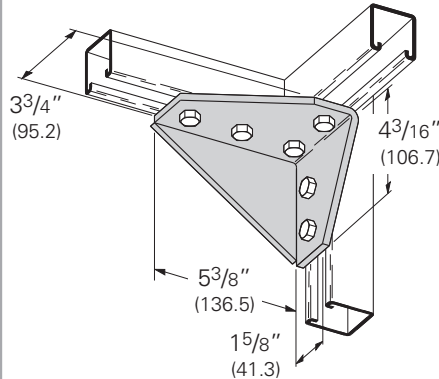
- Standard finishes: ZN, GRN
- Wt./C 135 Lbs. (61.2 kg)



B503R

Six Hole (Right Hand) Gussetted Corner Connection

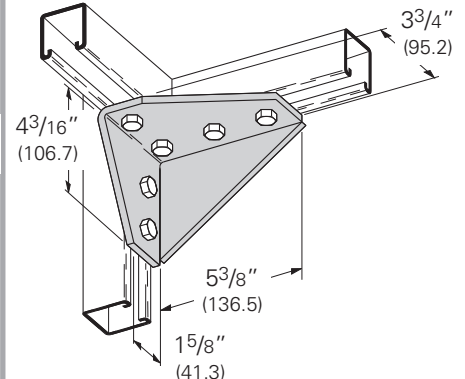
- Standard finishes: ZN, GRN
- Wt./C 229 Lbs. (103.9 kg)



B503L

Six Hole (Left Hand) Gussetted Corner Connection

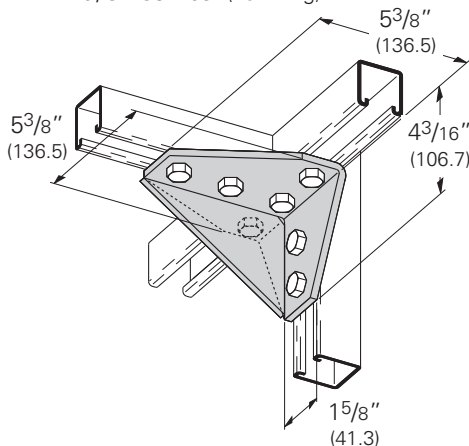
- Standard finishes: ZN, GRN
- Wt./C 229 Lbs. (103.9 kg)



B663

Seven Hole Gussetted Corner Connection

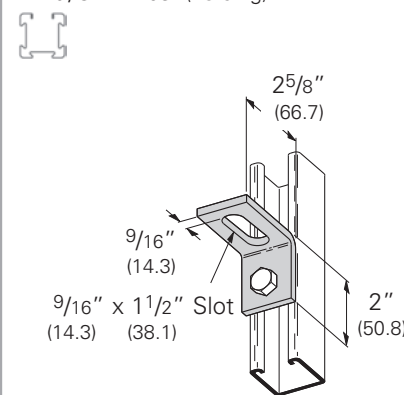
- Standard finishes: ZN, GRN
- Wt./C 289 Lbs. (131.1 kg)



B371

Two Hole Adjustable Corner Angle

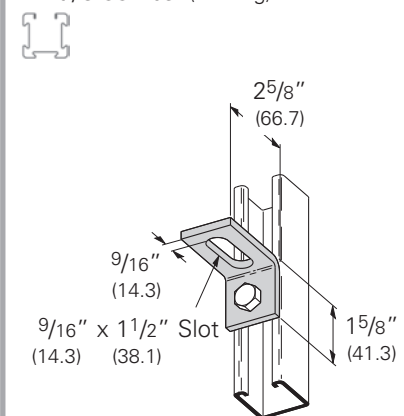
- Standard finishes: ZN, GRN
- Wt./C 41 Lbs. (18.6 kg)



B372

Two Hole Adjustable Corner Angle

- Standard finishes: ZN, GRN
- Wt./C 38 Lbs. (17.2 kg)

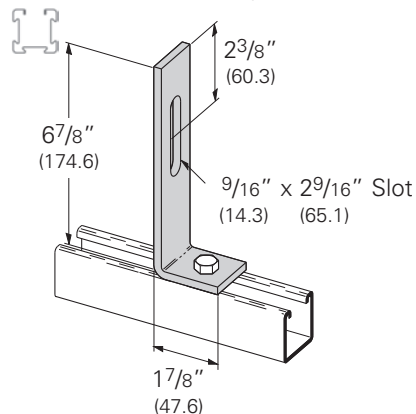


 4Dimension compatible fitting

Reference page 73 for general fitting and standard finish specifications.

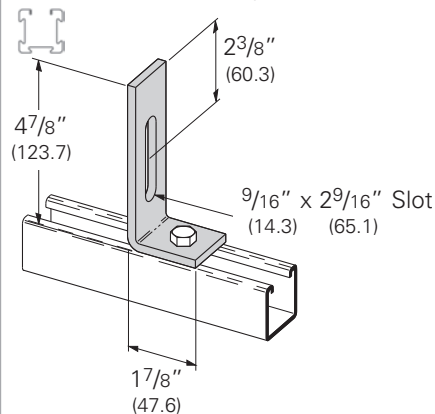
B496 Two Hole Adjustable Corner Angle

- Standard finishes: ZN, GRN
- Wt./C 85 Lbs. (38.5 kg)



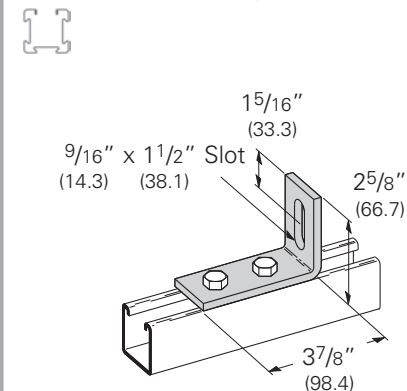
B496-1 Two Hole Adjustable Corner Angle

- Standard finishes: ZN, GRN, HDG
- Wt./C 58 Lbs. (26.3 kg)



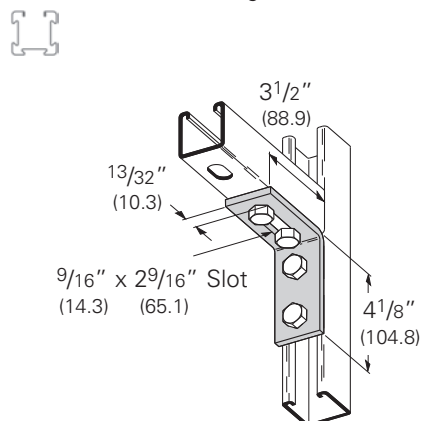
B371-2 Three Hole Adjustable Corner Angle

- Standard finishes: ZN, GRN
- Wt./C 61 Lbs. (27.6 kg)



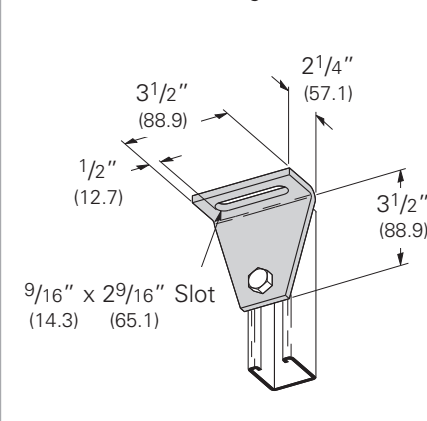
B104SH Three Hole Adjustable Corner Angle

- Standard finishes: ZN, GRN
- Wt./C 68 Lbs. (30.8 kg)



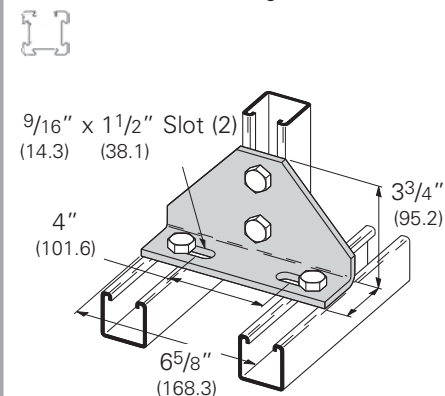
B461 Two Hole Adjustable Corner Angle

- Standard finishes: ZN, GRN
- Wt./C 87 Lbs. (39.4 kg)



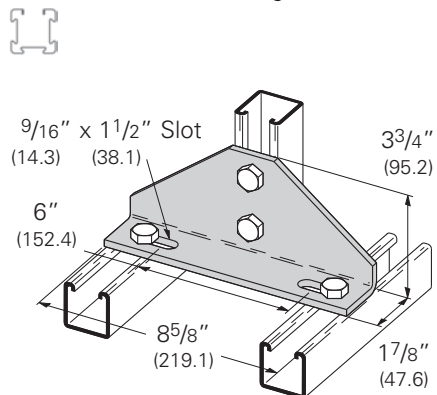
B112 Four Hole Adjustable Corner Angle

- Standard finishes: ZN, GRN
- Wt./C 180 Lbs. (81.6 kg)



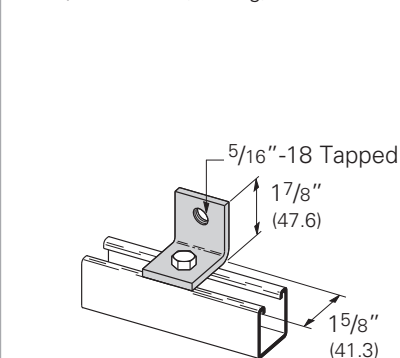
B113 Four Hole Adjustable Corner Angle

- Standard finishes: ZN, GRN
- Wt./C 256 Lbs. (116.1 kg)



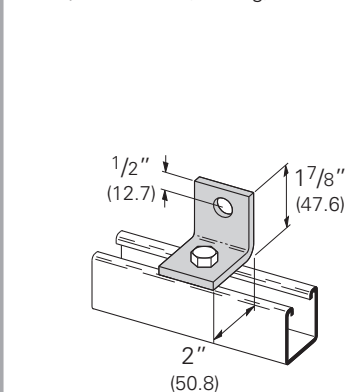
B109S Two Hole Tapped Corner Angle

- Standard finishes: ZN, GRN
- Wt./C 33 Lbs. (14.9 kg)



B521 Two Hole Bus Duct Angle

- Standard finishes: ZN, GRN
- Wt./C 37 Lbs. (16.8 kg)



4Dimension compatible fitting

Reference page 73 for general fitting and standard finish specifications.

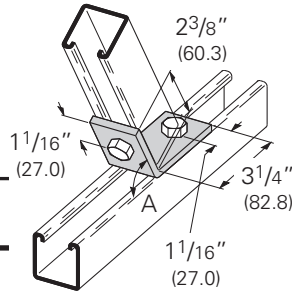
Angular Fittings

B147-B152 Two Hole Open Angle

- Standard finishes: ZN, GRN



Part No.	A	Wt./C	
		Lbs.	kg
B147	82 ¹ / ₂ °	63	(28.6)
B148	75°		
B149	67 ¹ / ₂ °		
B150	60°		
B151	52 ¹ / ₂ °		
B152	37 ¹ / ₂ °		

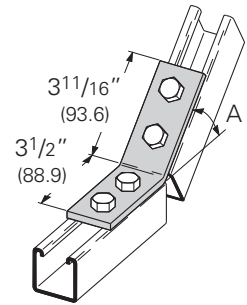


B243-B253 Four Hole Open Angle

- Standard finishes: ZN, GRN



Part No.	A	Wt./C	
		Lbs.	kg
B243	71 ¹ / ₂ °	77	(34.9)
B244	15°		
B245	22 ¹ / ₂ °		
B246	30°		
B247	37 ¹ / ₂ °		
B248	45°		
B249	52 ¹ / ₂ °		
B250	60°		
B251	67 ¹ / ₂ °		
B252	75°		
B253	82 ¹ / ₂ °		

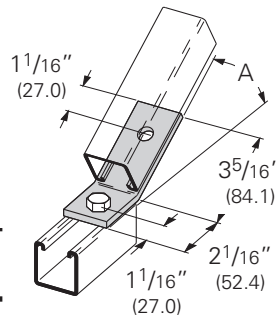


B162-B165 Two Hole Open Angle

- Standard finishes: ZN, GRN



Part No.	A	Wt./C	
		Lbs.	kg
B162	30°	59	(26.7)
B163	22 ¹ / ₂ °		
B164	15°		
B165	7 ¹ / ₂ °		

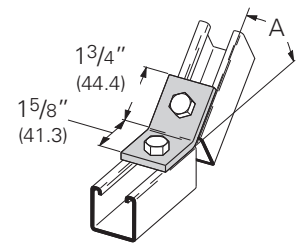


B322-B332 Two Hole Open Short Angle

- Standard finishes: ZN, GRN

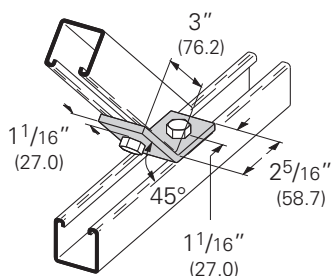


Part No.	A	Wt./C	
		Lbs.	kg
B322	71 ¹ / ₂ °	35	(15.9)
B323	15°		
B324	22 ¹ / ₂ °		
B325	30°		
B326	37 ¹ / ₂ °		
B327	45°		
B328	52 ¹ / ₂ °		
B329	60°		
B330	67 ¹ / ₂ °		
B331	75°		
B332	82 ¹ / ₂ °		



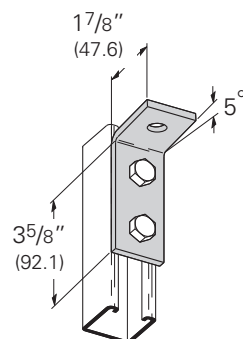
B154 Two Hole Open Angle

- Standard finishes: ZN, GRN, SS4
- Wt./C 58 Lbs. (26.3 kg)



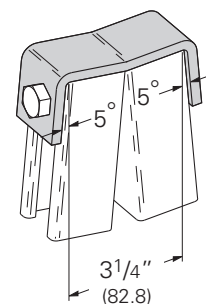
B522 Three Hole 95° Open Angle Fitting

- Standard finishes: ZN, GRN
- Wt./C 54 Lbs. (24.5 kg)



B488 Two Hole Leg Connection

- Standard finishes: ZN, GRN
- Wt./C 100 Lbs. (45.3 kg)



4Dimension compatible fitting

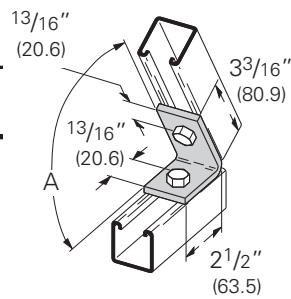
Reference page 73 for general fitting and standard finish specifications.

B156 - B161 Two Hole Closed Angle

- Standard finishes: ZN, GRN



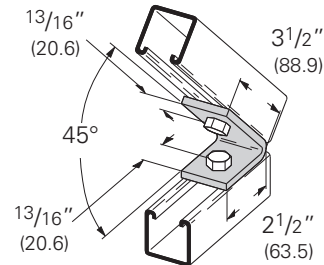
Part No.	A	Wt./C	
		Lbs.	kg
B156	82 ¹ / ₂ °	56	(25.4)
B157	75°		
B158	67 ¹ / ₂ °		
B159	60°		
B160	52 ¹ / ₂ °		
B161	37 ¹ / ₂ °		



B155 Two Hole Closed Angle

- Standard finishes: ZN, GRN, HDG, SS4
- Wt./C 63 Lbs. (28.6 kg)

PA ^{ZN}_{GRN}

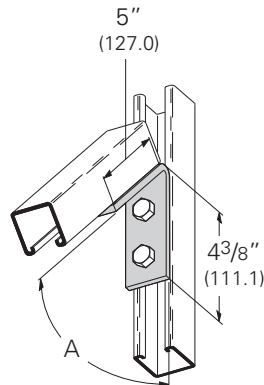


B363 - B369 Four Hole Closed Angle

- Standard finishes: ZN, GRN



Part No.	A	Wt./C	
		Lbs.	kg
B363	82 ¹ / ₂ °	95	(43.1)
B364	75°		
B365	67 ¹ / ₂ °		
B366	60°		
B367	52 ¹ / ₂ °		
B368	45°		
B369	37 ¹ / ₂ °		

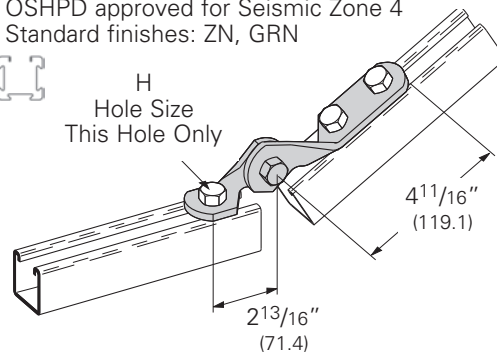


B335-2 SERIES Three Hole Adjustable Hinge

- OSHPD approved for Seismic Zone 4
- Standard finishes: ZN, GRN



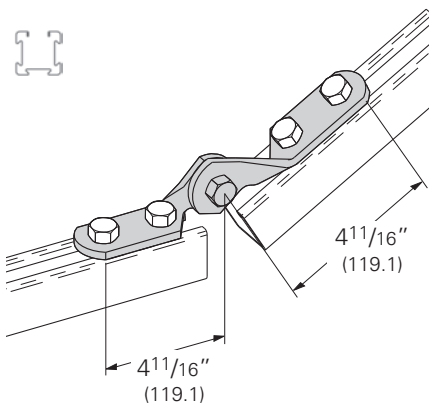
H
Hole Size
This Hole Only



Part No. & Size	Hole Size H		Wt./C	
	In.	mm	Lbs.	kg
B335-2-3/8	7/16"	(11.1)	96	(43.2)
B335-2-1/2	9/16"	(14.3)	94	(42.3)
B335-2-5/8	11/16"	(17.4)	92	(41.4)
B335-2-3/4	13/16"	(20.6)	90	(40.5)

B335 Four Hole Adjustable Hinge

- Standard finishes: ZN, GRN
- Wt./C 110 Lbs. (49.9 kg)

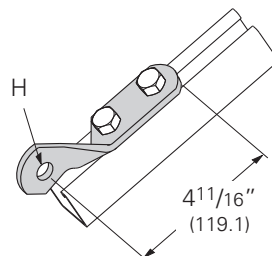


B335V Three Hole Half Hinge

- Standard finishes: ZN, GRN

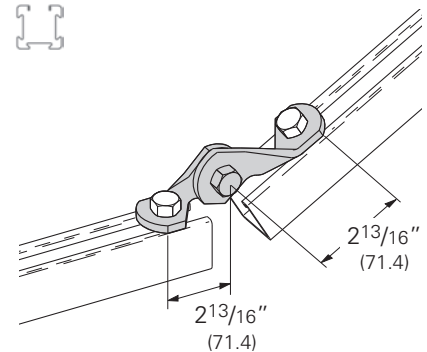


Part No. & Size	Hole Size H		Wt./C	
	In.	mm	Lbs.	kg
B335V-1/2	9/16"	(14.3)	53	(24.1)
B335V-5/8	11/16"	(17.4)	54	(24.5)
B335V-3/4	13/16"	(20.6)	55	(24.9)



B335-1 Two Hole Adjustable Hinge

- Standard finishes: ZN, GRN
- Wt./C 78 Lbs. (35.4 kg)



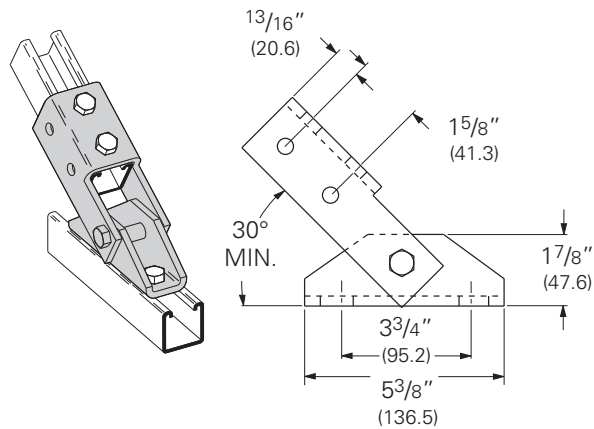
PA Pre-assembled fitting Dimension compatible fitting

Reference page 73 for general fitting and standard finish specifications.

Angular Fittings

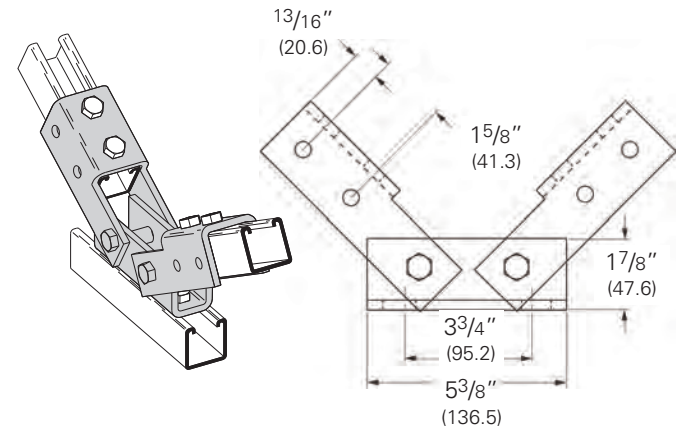
B634 Single Channel Adjustable Brace

- Standard finishes: ZN, GRN
- Wt./C 306 Lbs. (138.8 kg)



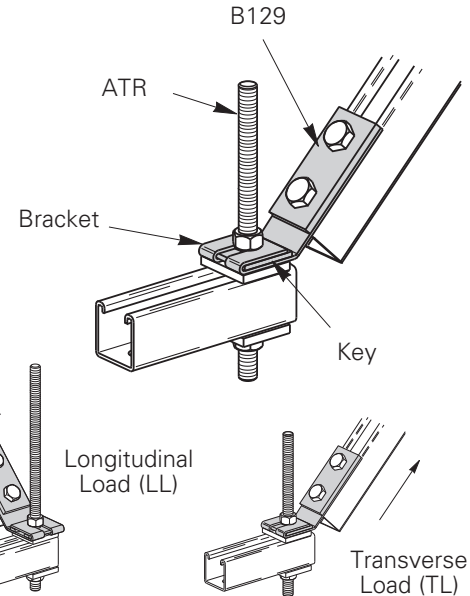
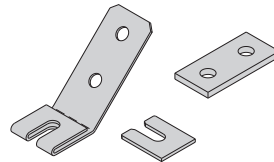
B635 Double Channel Adjustable Brace

- Standard finishes: ZN, GRN
- Wt./C 518 Lbs. (234.9 kg)



B650 SERIES Seismic Retrofit Bracket

- OSHPD approved for Seismic Zone 4.
- Available for 3/8", 1/2", 5/8", and 3/4" threaded rods.
- Allows installer to easily brace existing trapeze supports.
- Includes: Bracket, B129 plate, & key. Hardware sold separately.
- Standard finish: ZN, GRN



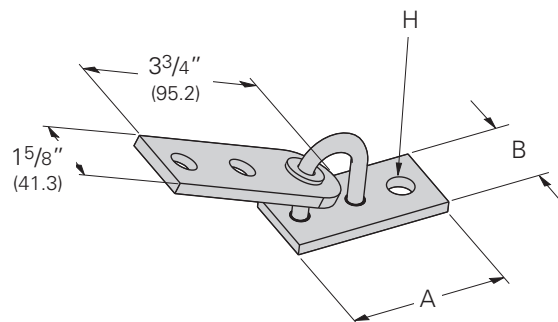
Part No. & Size	For Rod Size	TL		LL		Wt./C	
		Lbs.	kN	Lbs.	kN	Lbs.	kg
B650-3/8	3/8"	1100	(4.89)	1100	(4.89)	92	(41.4)
B650-1/2	1/2"	1500	(6.67)	1500	(6.67)	97	(43.6)
B650-5/8	5/8"	1500	(6.67)	1500	(6.67)	95	(42.7)
B650-3/4	3/4"	1500	(6.67)	1500	(6.67)	107	(48.5)

B633 Adjustable Seismic Hinge Fitting

- B633-1/2 thru B633-7/8 - OSHPD approved for Seismic Zone 4.
- Use 1/2" Bolt & Channel Nut on two hole side of Connector Fitting (Torque to 50 ft.-lbs.)
- Allows for swivel in two planes.
- Standard finish: ZN



Part No. & Size	A		B		Hole Size H		Wt./C	
	In.	mm	In.	mm	In.	mm	Lbs.	kg
B633-1/2	3 1/2"	(82.5)	1 5/8"	(41.3)	9/16"	(14.3)	92	(41.4)
B633-5/8	3 1/2"	(82.5)	1 5/8"	(41.3)	1 1/16"	(17.4)	97	(43.6)
B633-3/4	3 1/2"	(82.5)	1 5/8"	(41.3)	1 3/16"	(20.6)	95	(42.7)
B633-7/8	3 9/16"	(90.5)	2"	(50.8)	1 5/16"	(23.8)	107	(48.5)
B633-1	3 9/16"	(90.5)	2"	(50.8)	1 1/16"	(27.0)	120	(54.0)
B633-1 1/8	3 9/16"	(90.5)	2"	(50.8)	1 3/16"	(30.2)	104	(47.2)
B633-1 1/4	3 7/8"	(98.4)	2 1/4"	(57.1)	1 5/16"	(33.3)	114	(51.7)



4Dimension compatible fitting

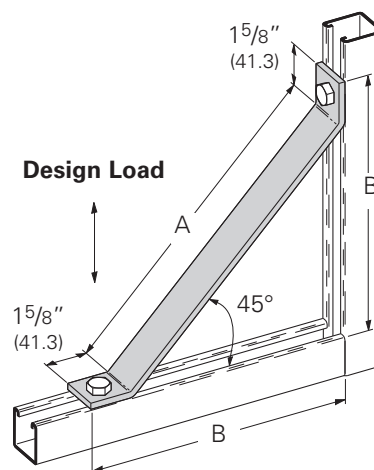
Reference page 73 for general fitting and standard finish specifications.

B261 - Two Hole 45° Knee Brace

- Standard finishes: ZN, GRN
- Design load determined by testing using a B335 hinged corner connection.
- Load ratings are for brace members only. Do not exceed allowable beam or column loads for strut channels.
- Safety Factor of 3



Part No.	A		B		Design Load		Wt./C	
	In.	mm	In.	mm	Lbs.	kN	Lbs.	kg
B261-8	8"	(203.2)	7 ³ / ₈ "	(187.3)	1500	(6.67)	119	(54.0)
B261-12	12"	(304.8)	10 ¹ / ₈ "	(257.2)	1020	(4.54)	165	(74.8)
B261-16	16 ⁵ / ₈ "	(422.3)	13 ³ / ₈ "	(339.7)	530	(2.36)	218	(98.9)
B261-18	18"	(457.2)	14 ⁷ / ₁₆ "	(366.7)	450	(2.00)	234	(106.1)
B261-24	24"	(609.6)	18 ¹¹ / ₁₆ "	(474.7)	250	(1.11)	303	(137.4)
B261-36	36"	(914.4)	27 ³ / ₁₆ "	(690.6)	110	(.49)	441	(200.0)

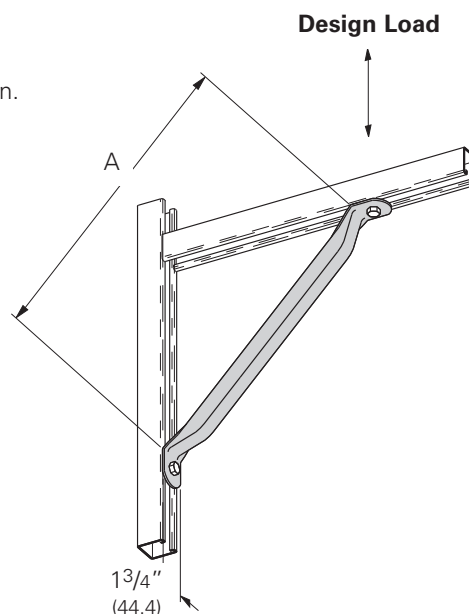


B631 - Two Hole 45° Tubing Knee Brace

- 1" (25.4) Square steel tubing
- Material: ASTM A513
- Standard finishes: ZN, GRN
- Design load determined by testing using a B335 hinged corner connection.
- Load ratings are for brace members only. Do not exceed allowable beam or column loads for strut channels.
- Safety Factor of 3



Part No.	A		Design Load		Wt./C	
	In.	mm	Lbs.	kN	Lbs.	kg
B631-18	18"	(457.2)	1500	(6.67)	145	(65.8)
B631-24	24"	(609.6)	1500	(6.67)	186	(84.4)
B631-30	30"	(762.0)	1500	(6.67)	225	(102.0)
B631-36	36"	(914.4)	1500	(6.67)	266	(120.6)
B631-42	42"	(1066.8)	1230	(5.47)	307	(139.2)
B631-48	48"	(1219.2)	940	(4.18)	348	(157.8)
B631-54	54"	(1371.6)	740	(3.29)	389	(176.4)
B631-60	60"	(1524.0)	600	(2.67)	430	(195.0)
B631-72	72"	(1828.8)	420	(1.87)	508	(230.4)
B631-84	84"	(2133.6)	310	(1.38)	589	(267.2)
B631-96	96"	(2438.4)	240	(1.07)	669	(303.5)

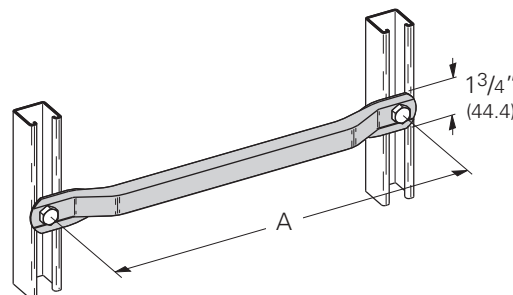


B632 - Two Hole Straight Tubing Brace

- 1" (25.4) Square steel tubing
- Material: ASTM A513
- Standard finishes: ZN, GRN



Part No.	A		Wt./C	
	In.	mm	Lbs.	kg
B632-18	18"	(457.2)	133	(60.3)
B632-24	24"	(609.6)	174	(78.9)
B632-30	30"	(762.0)	215	(97.5)
B632-36	36"	(914.4)	256	(116.1)
B632-42	42"	(1066.8)	295	(133.8)
B632-48	48"	(1219.2)	335	(151.9)
B632-54	54"	(1371.6)	380	(172.3)
B632-60	60"	(1524.0)	420	(190.5)
B632-72	72"	(1828.8)	500	(226.8)
B632-84	84"	(2133.6)	585	(265.3)
B632-96	96"	(2438.4)	670	(303.9)



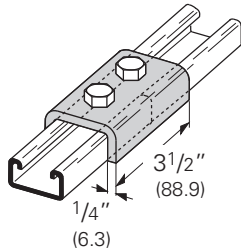
4Dimension compatible fitting

Reference page 73 for general fitting and standard finish specifications.

Clevis Fittings

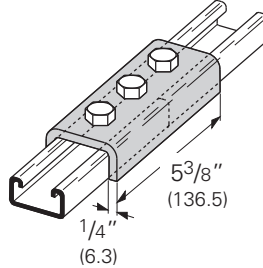
B169 Two Hole Splice Clevis For B52

- Standard finishes: ZN, GRN
- Wt./C 84 Lbs. (38.1 kg)



B168 Three Hole Splice Clevis For B52

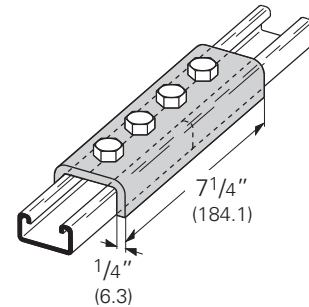
- Standard finishes: ZN, GRN
- Wt./C 126 Lbs. (57.1 kg)



B167 Four Hole Splice Clevis For B52

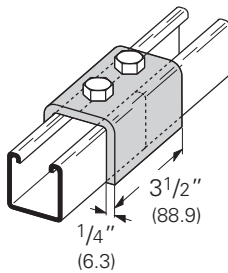
- Standard finishes: ZN, GRN
- Wt./C 178 Lbs. (80.7 kg)

PA GRN



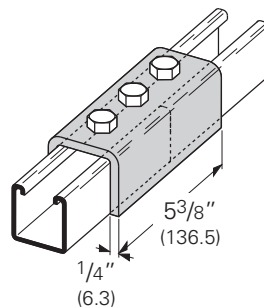
B170 Two Hole Splice Clevis For B22 or B52A

- Standard finishes: ZN, GRN
- Wt./C 123 Lbs. (55.8 kg)



B171 Three Hole Splice Clevis For B22 or B52A

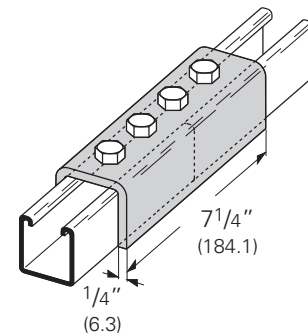
- Standard finishes: ZN, GRN
- Wt./C 195 Lbs. (88.4 kg)



B172 Four Hole Splice Clevis For B22 or B52A

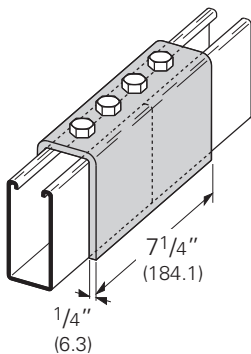
- Standard finishes: ZN, GRN
- Wt./C 266 Lbs. (120.6 kg)

PA ZN
GRN



B172-12 Four Hole Splice Clevis For B12

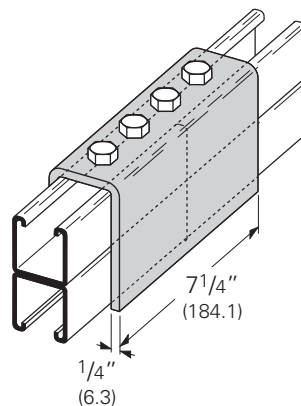
- Standard finishes: ZN, GRN
- Wt./C 326 Lbs. (147.8 kg)



B172-22A Four Hole Splice Clevis For B11 or B22A

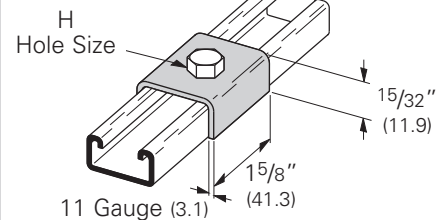
- Standard finishes: ZN, GRN
- Wt./C 406 Lbs. (184.1 kg)

PA GRN



B450 U-Washer

- Material: ASTM A1011 HSLAS Gr. 50
- Standard finishes: ZN, GRN



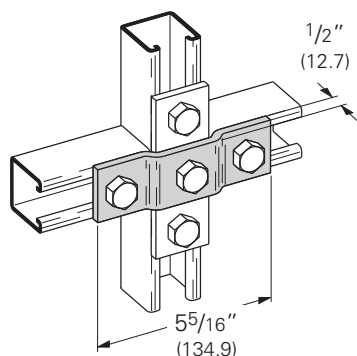
Part No. & Size	Hole Size H	Wt./C
	Lbs. kg	Lbs. kg
B450-1/4	5/16" (7.9)	14 (6.3)
B450-3/8	7/16" (11.1)	14 (6.3)
B450-1/2	9/16" (14.3)	13 (5.8)
B450-5/8	11/16" (17.4)	13 (5.8)
B450-3/4	13/16" (20.6)	13 (5.8)

PA Pre-assembled fitting.

Reference page 73 for general fitting and standard finish specifications.

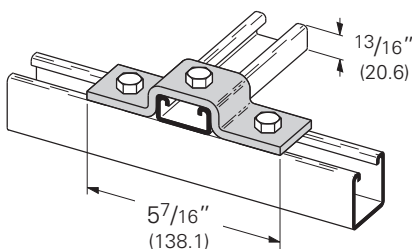
B527
Three Hole Offset Plate Connection

- Standard finishes: ZN, GRN
- Wt./C 54 Lbs. (24.5 kg)



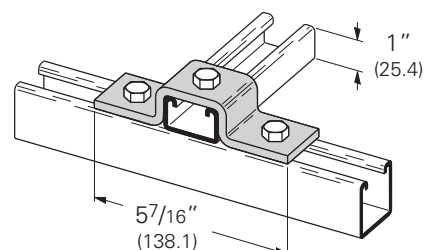
B116-52
Three Hole U-Support

- Standard finishes: ZN, GRN
- Wt./C 70 Lbs. (31.7 kg)



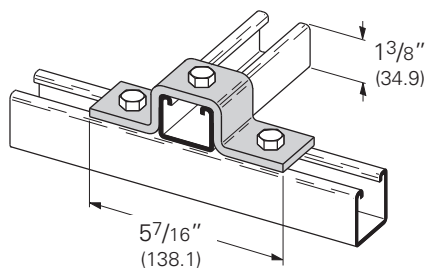
B116-42
Three Hole U-Support

- Standard finishes: ZN, GRN
- Wt./C 75 Lbs. (34.0 kg)



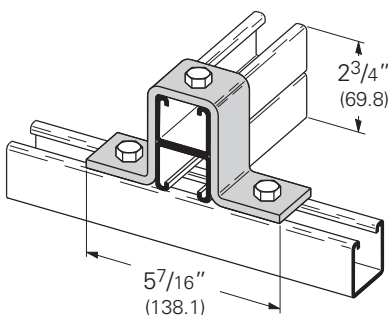
B116-32
Three Hole U-Support

- Standard finishes: ZN, GRN
- Wt./C 84 Lbs. (38.1 kg)



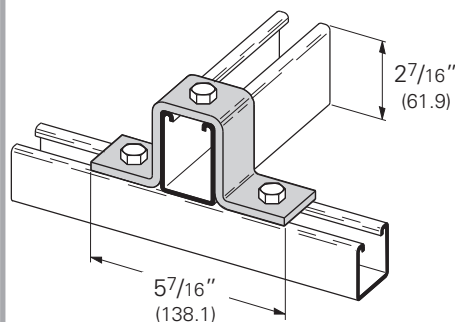
B116-32A
Three Hole U-Support

- Standard finishes: ZN, GRN
- Wt./C 116 Lbs. (52.6 kg)



B116-12
Three Hole U-Support

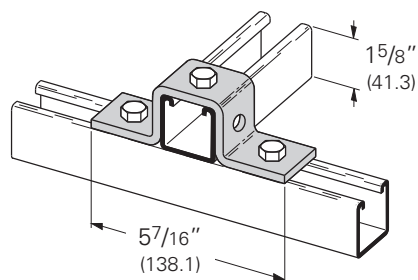
- Standard finishes: ZN, GRN
- Wt./C 108 Lbs. (49.0 kg)



B107
Five Hole U-Support

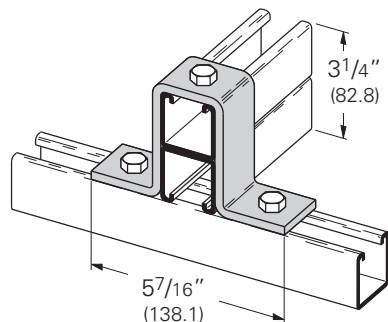
- Standard finishes: ZN, GRN, HDG
- Wt./C 85 Lbs. (38.5 kg)

PA ZN
GRN



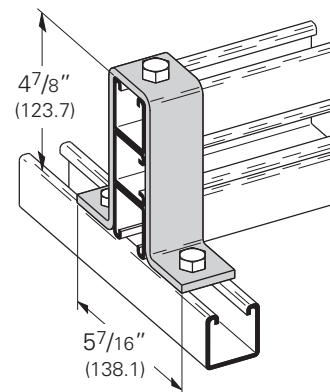
B107-22A
Three Hole U-Support

- Standard finishes: ZN, GRN
- Wt./C 126 Lbs. (57.1 kg)



B588
Three Hole U-Support

- Standard finishes: ZN, GRN
- Wt./C 157 Lbs. (71.2 kg)



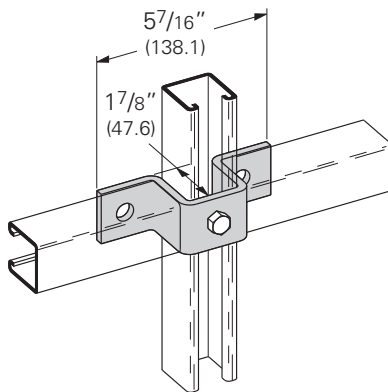
PA Pre-assembled fitting.

Reference page 73 for general fitting and standard finish specifications.

'U' Fittings

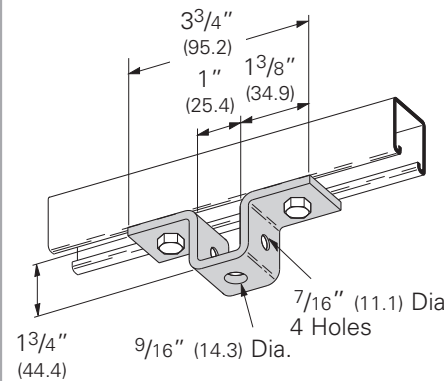
B412 Three Hole Offset U-Support

- Standard finishes: ZN, GRN
- Wt./C 89 Lbs. (40.3 kg)



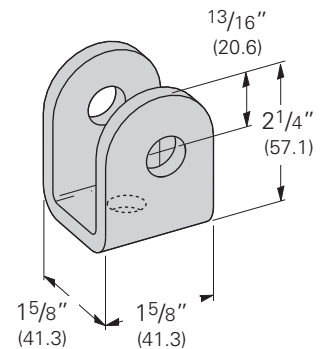
B107S Five Hole U-Support

- Material: 7 Gauge (4.5)
ASTM A1011 33,000 PSI min. yield
- Standard finishes: ZN, GRN
- Wt./C 51 Lbs. (23.1 kg)



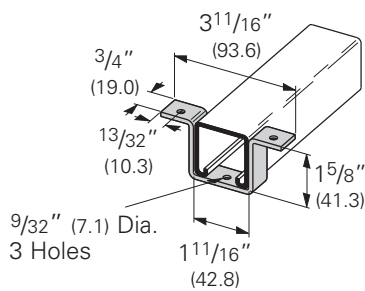
B596 Three Hole Swivel Clevis

- Material: 7 Gauge (4.5)
- Standard finishes: ZN, GRN
- Wt./C 53 Lbs. (24.0 kg)



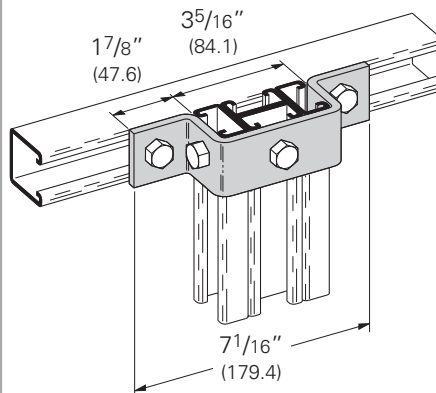
B578 Three Hole Light-Weight U-Support

- Material: 10 Gauge (3.4)
ASTM A1011 HSLAS Gr. 50
- Standard finishes: ZN, GRN
- Wt./C 18 Lbs. (8.1 kg)



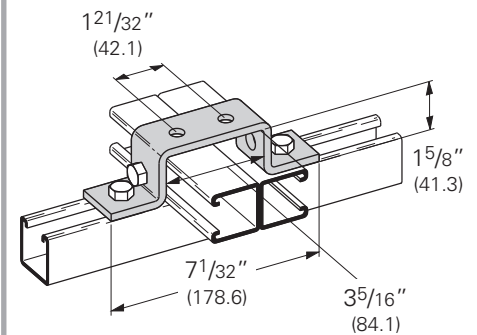
B594 Five Hole U-Support

- Standard finishes: ZN, GRN
- Wt./C 106 Lbs. (48.1 kg)



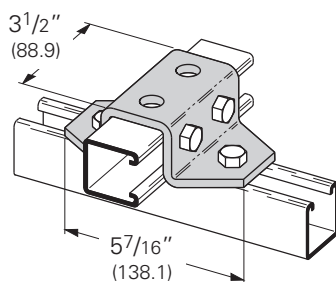
B266 Six Hole U-Support

- Standard finishes: ZN, GRN
- Wt./C 105 Lbs. (47.6 kg)



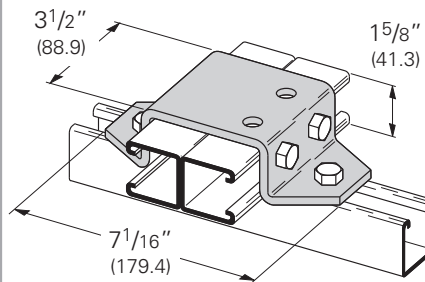
B425 Six Hole U-Support

- Standard finishes: ZN, GRN
- Wt./C 167 Lbs. (75.7 kg)



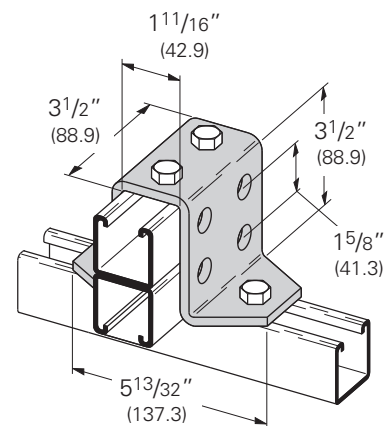
B581 Eight Hole U-Support

- Standard finishes: ZN, GRN
- Wt./C 201 Lbs. (91.2 kg)



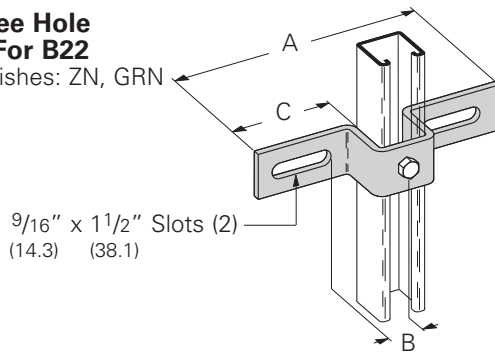
B519 Eight Hole U-Support

- Standard finishes: ZN, GRN
- Wt./C 266 Lbs. (102.5 kg)



B333 Slotted Three Hole U-Support For B22

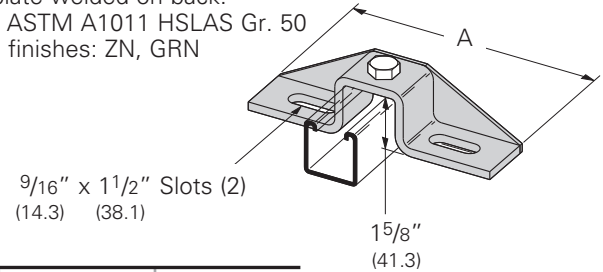
- Standard finishes: ZN, GRN



Part No.	A		B		C		Wt./C	
	In.	mm	In.	mm	In.	mm	Lbs.	kg
B333-1	7 ¹ / ₂ "	(190.5)	1 ⁵ / ₁₆ "	(33.3)	2 ⁷ / ₈ "	(73.0)	103	(46.7)
B333-2	8 ¹ / ₂ "	(215.9)	1 ¹⁵ / ₁₆ "	(49.2)	3 ³ / ₈ "	(85.7)	115	(52.1)
B333-3	10 ³ / ₈ "	(263.5)	2 ⁷ / ₈ "	(73.0)	4 ⁵ / ₁₆ "	(109.5)	135	(61.2)

B451 Slotted Three Hole U-Support With Gusset For B22

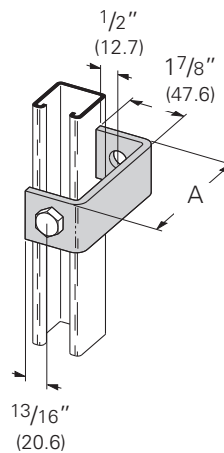
- Consists of B333-1, 2, or 3 with gusset plate welded on back.
- Material: ASTM A1011 HSLAS Gr. 50
- Standard finishes: ZN, GRN



Part No.	A		Wt./C	
	In.	mm	Lbs.	kg
B451-1	7 ¹ / ₂ "	(190.5)	137	(62.1)
B451-2	8 ¹ / ₂ "	(215.9)	156	(70.7)
B451-3	10 ³ / ₈ "	(263.5)	172	(78.0)

B408 Two Hole Bus Duct Clevis

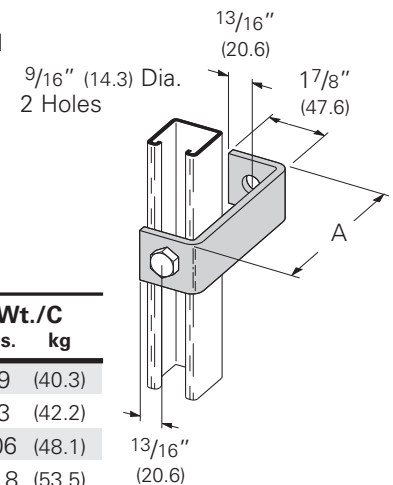
- Standard finishes: ZN, GRN



Part No.	A		Wt./C	
	In.	mm	Lbs.	kg
B408-1	2 ¹³ / ₃₂ "	(61.1)	58	(26.3)
B408-2	3 ²⁵ / ₃₂ "	(96.0)	76	(34.5)
B408-3	4 ³ / ₄ "	(762.0)	88	(39.9)

B358 Two Hole Clevis

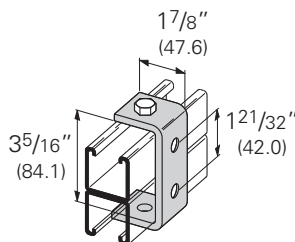
- Standard finishes: ZN, GRN



Part No.	A		Wt./C	
	In.	mm	Lbs.	kg
B358-4	4"	(101.6)	89	(40.3)
B358-5	5"	(127.0)	93	(42.2)
B358-6	6"	(152.4)	106	(48.1)
B358-7	7"	(177.8)	118	(53.5)
B358-8	8"	(203.2)	132	(59.9)

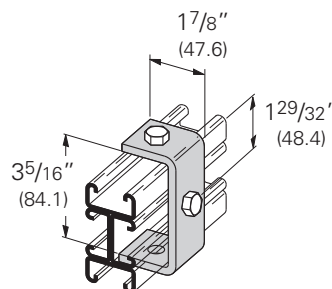
B173 Four Hole Clevis

- Standard finishes: ZN, GRN
- Wt./C 71 Lbs. (32.2 kg)



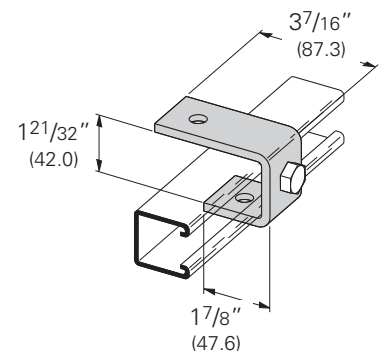
B595 Three Hole Clevis

- Standard finishes: ZN, GRN
- Wt./C 75 Lbs. (34.0 kg)



B405 Three Hole Suspension Clevis

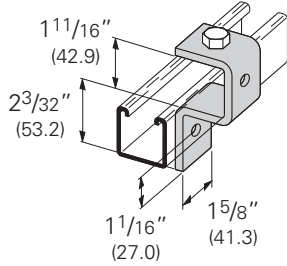
- Standard finishes: ZN, GRN
- Wt./C 75 Lbs. (34.0 kg)



'U' Fittings

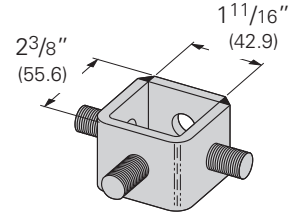
B398-1 Three Hole Cup Support

- Standard finishes: ZN, GRN
- Wt./C 73 Lbs. (33.1 kg)



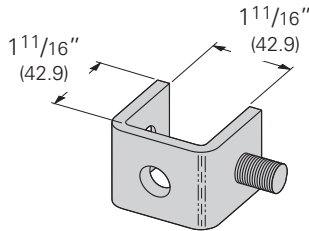
B400 Three Stud Ring Connection

- 1/2"-13 stud protrudes 1" (25.4mm)
- Standard finishes: ZN
- Wt./C 85 Lbs. (38.5 kg)



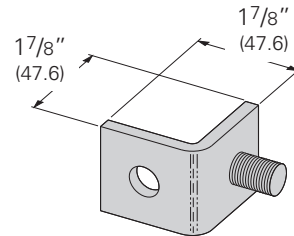
B400-1 One Stud Ring Connection

- 1/2"-13 stud protrudes 1" (25.4mm)
- Standard finishes: ZN
- Wt./C 53 Lbs. (24.0 kg)



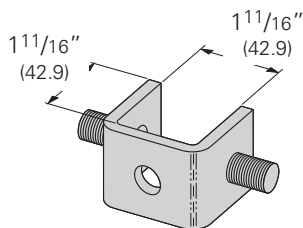
B400-2 One Stud Ring Connection

- 1/2"-13 stud protrudes 1" (25.4mm)
- Standard finishes: ZN
- Wt./C 40 Lbs. (18.1 kg)



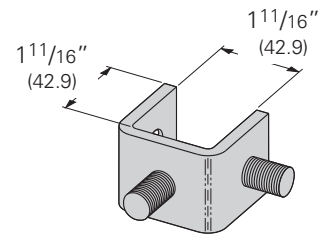
B400-3 Two Stud Ring Connection

- 1/2"-13 stud protrudes 1" (25.4mm)
- Standard finishes: ZN
- Wt./C 59 Lbs. (26.7 kg)



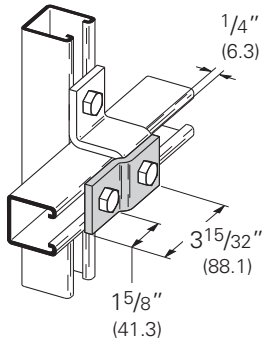
B400-4 Two Stud Ring Connection

- 1/2"-13 stud protrudes 1" (25.4mm)
- Standard finishes: ZN
- Wt./C 59 Lbs. (26.7 kg)



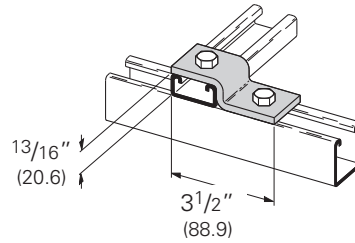
B526
Two Hole Offset Z-Support

- Standard finishes: ZN, GRN
- Wt./C 38 Lbs. (17.2 kg)



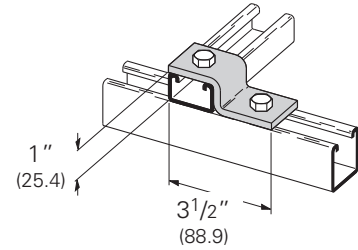
B106-52
Two Hole Offset Z-Support for B52

- Standard finishes: ZN, GRN
- Wt./C 40 Lbs. (18.1 kg)



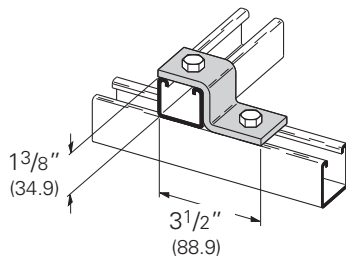
B106-42
Two Hole Offset Z-Support for B42

- Standard finishes: ZN, GRN
- Wt./C 44 Lbs. (20.0 kg)



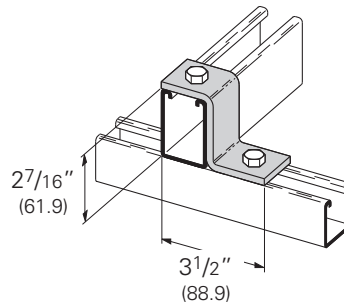
B106-32
Two Hole Offset Z-Support for B32

- Standard finishes: ZN, GRN
- Wt./C 51 Lbs. (23.1 kg)



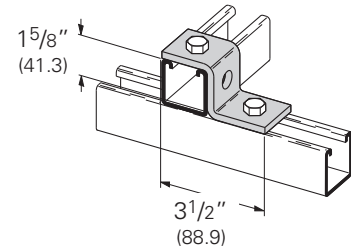
B106-12
Two Hole Offset Z-Support for B12

- Standard finishes: ZN, GRN
- Wt./C 63 Lbs. (28.6 kg)



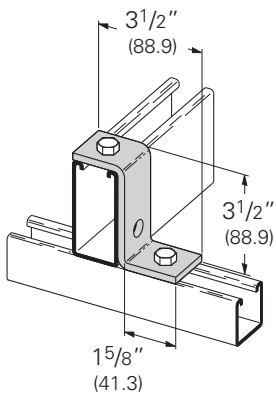
B105
Three Hole Offset Z-Support for B22

- Standard finishes: ZN, GRN, HDG
- Wt./C 51 Lbs. (23.1 kg)



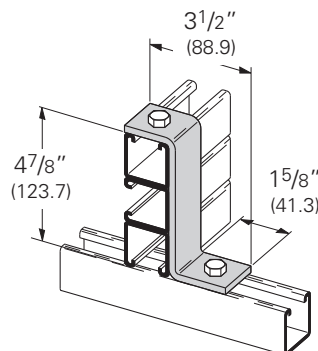
B110
Three Hole Offset Z-Support for B11

- Standard finishes: ZN, GRN
- Wt./C 70 Lbs. (31.7 kg)



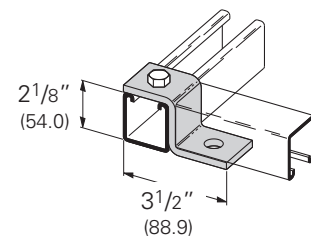
B586
Two Hole Z-Support

- Standard finishes: ZN, GRN
- Wt./C 90 Lbs. (40.8 kg)



B108
Two Hole Offset Z-Support

- Standard finishes: ZN, GRN
- Wt./C 55 Lbs. (24.9 kg)

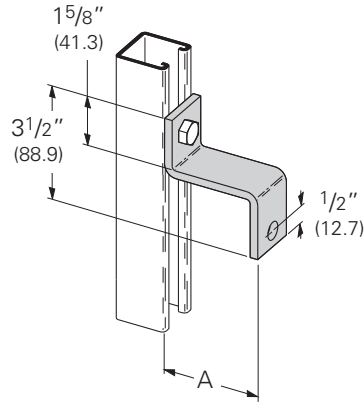


Reference page 73 for general fitting and standard finish specifications.

'Z' Fittings

B387 Two Hole Z-Bus Duct Connection

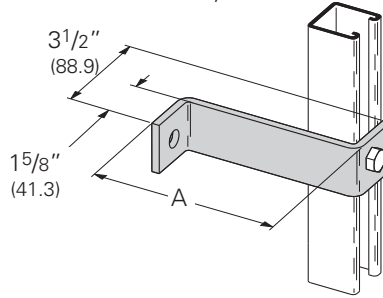
- Standard finishes: ZN, GRN



Part No.	A		Wt./C	
	In.	mm	Lbs.	kg
B387	4 3/4"	(120.6)	89	(40.3)
B387-1	3 25/32"	(96.0)	78	(35.4)
B387-2	2 13/32"	(61.1)	62	(28.1)

B407 Two Hole Z-Support

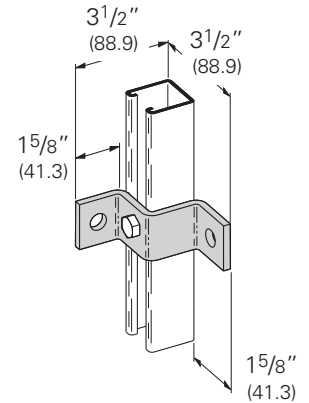
- Standard finishes: ZN, GRN



Part No.	A		Wt./C	
	In.	mm	Lbs.	kg
B407-4	4"	(101.6)	77	(34.9)
B407-5	5"	(127.0)	95	(43.1)
B407-6	6"	(152.4)	98	(44.4)
B407-7	7"	(177.8)	105	(47.6)
B407-8	8"	(203.2)	120	(54.4)
B407-9 5/8"	9 5/8"	(244.5)	138	(62.6)

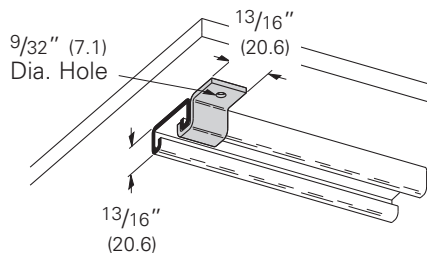
B111 Three Hole Sheath Corner Connection

- Standard finishes: ZN, GRN
- Wt./C 68 Lbs. (30.8 kg)



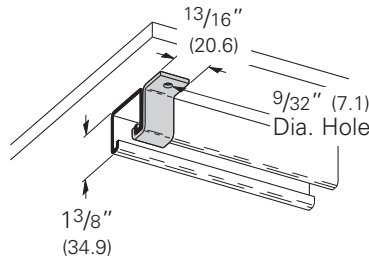
B410-52 Channel Hanger Bracket for B52

- Material: 11 Gauge (3.0)
ASTM A1011 HSLAS Gr. 50
- Standard finishes: ZN, GRN
- Wt./C 6.7 Lbs. (3.0 kg)



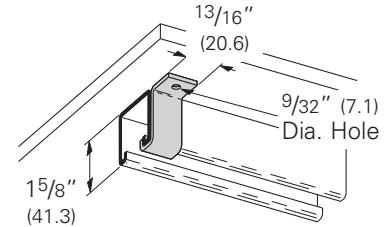
B410-32 Channel Hanger Bracket for B32

- Material: 11 Gauge (3.0)
ASTM A1011 HSLAS Gr. 50
- Standard finishes: ZN, GRN
- Wt./C 8.3 Lbs. (3.7 kg)



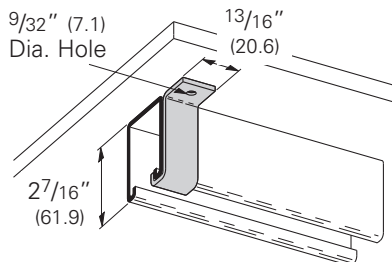
B410-22 Channel Hanger Bracket for B22

- Material: 11 Gauge (3.0)
ASTM A1011 HSLAS Gr. 50
- Standard finishes: ZN, GRN
- Wt./C 9 Lbs. (4.1 kg)



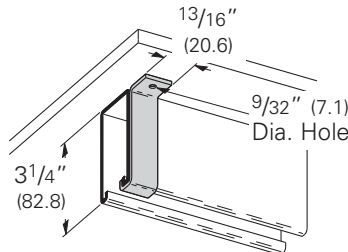
B410-12 Channel Hanger Bracket for B12

- Material: 11 Gauge (3.0)
ASTM A1011 HSLAS Gr. 50
- Standard finishes: ZN, GRN
- Wt./C 11.2 Lbs. (5.1 kg)



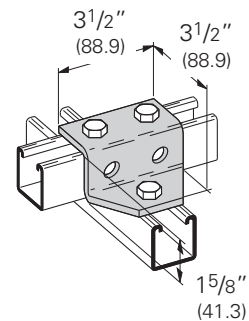
B410-11 Channel Hanger Bracket for B11

- Material: 11 Gauge (3.0)
ASTM A1011 HSLAS Gr. 50
- Standard finishes: ZN, GRN
- Wt./C 13.4 Lbs. (6.1 kg)



B580 Five Hole Gussetted Z-Support

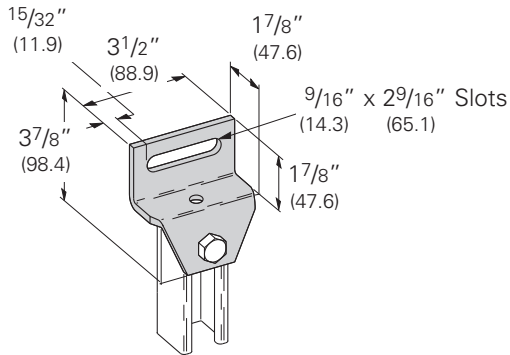
- Standard finishes: ZN, GRN
- Wt./C 100 Lbs. (45.3 kg)



'Z' & Wing Fittings

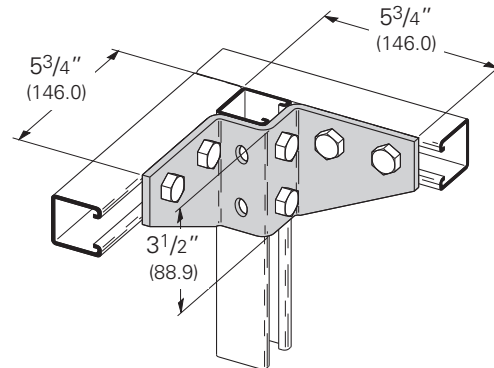
B515 Adjustable Offset Gusseted Z-Support

- Standard finishes: ZN, GRN
- Wt./C 93 Lbs. (42.2 kg)



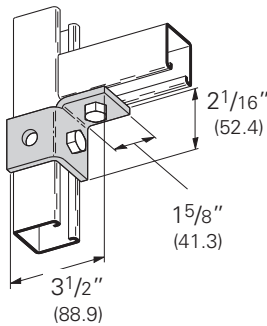
B428 Eight Hole Gusseted Corner Connection

- Standard finishes: ZN, GRN
- Wt./C 203 Lbs. (92.1 kg)



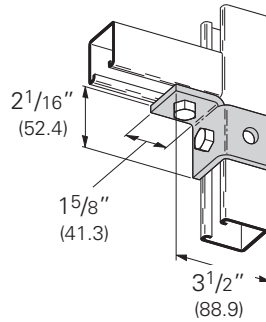
B267R Three Hole Single Corner Connection (Right Hand)

- Standard finishes: ZN, GRN
- Wt./C 54 Lbs. (24.5 kg)



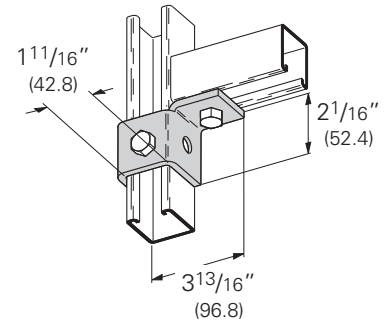
B267L Three Hole Single Corner Connection (Left Hand)

- Standard finishes: ZN, GRN
- Wt./C 54 Lbs. (24.5 kg)



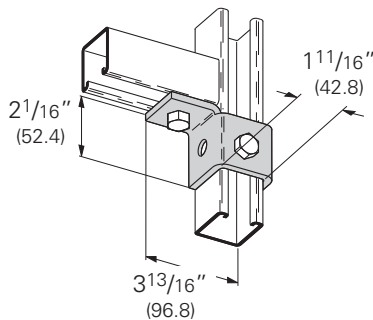
B270R Four Hole Single Corner Connection (Right Hand)

- Standard finishes: ZN, GRN
- Wt./C 77 Lbs. (34.9 kg)



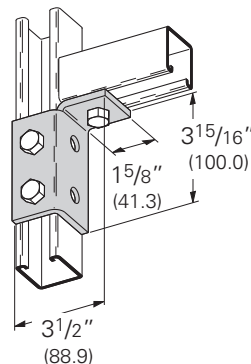
B270L Four Hole Single Corner Connection (Left Hand)

- Standard finishes: ZN, GRN
- Wt./C 77 Lbs. (34.9 kg)



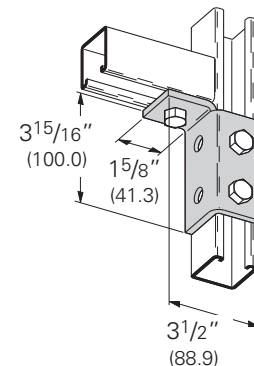
B268R Five Hole Single Corner Connection (Right Hand)

- Standard finishes: ZN, GRN
- Wt./C 100 Lbs. (45.3 kg)



B268L Five Hole Single Corner Connection (Left Hand)

- Standard finishes: ZN, GRN
- Wt./C 100 Lbs. (45.3 kg)

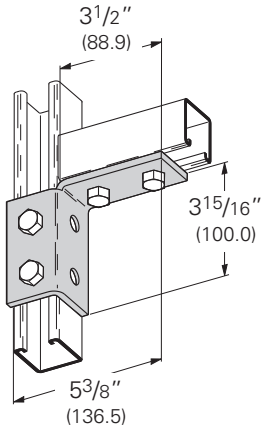


Reference page 73 for general fitting and standard finish specifications.

Wing Fittings

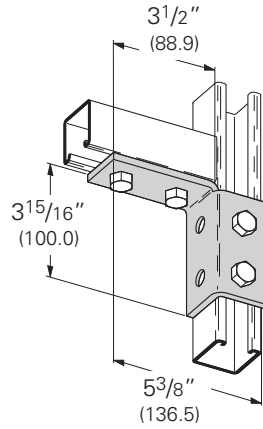
B269R Six Hole Single Corner Connection (Right Hand)

- Standard finishes: ZN, GRN
- Wt./C 120 Lbs. (54.4 kg)



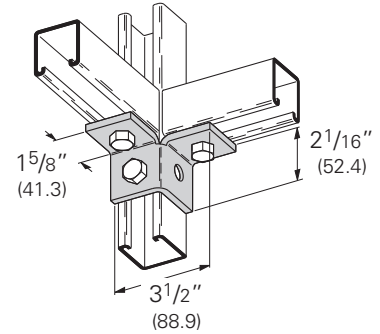
B269L Six Hole Single Corner Connection (Left Hand)

- Standard finishes: ZN, GRN
- Wt./C 120 Lbs. (54.4 kg)



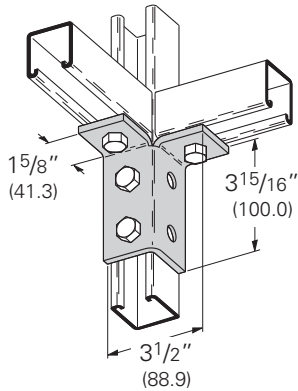
B119 Six Hole Double Corner Connection

- Standard finishes: ZN, GRN
- Wt./C 71 Lbs. (32.2 kg)



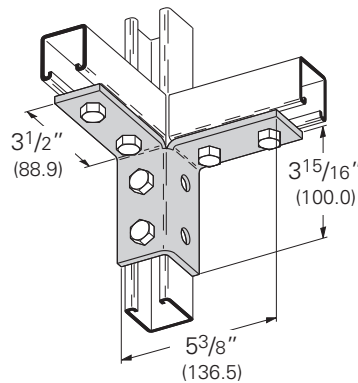
B120 Six Hole Double Corner Connection

- Standard finishes: ZN, GRN
- Wt./C 110 Lbs. (49.9 kg)



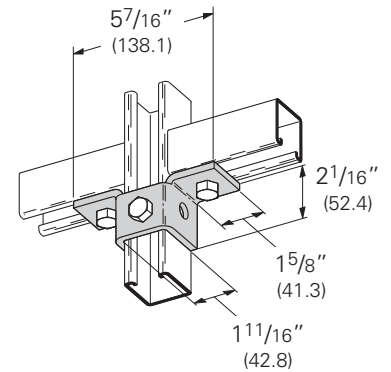
B121 Eight Hole Double Corner Connection

- Standard finishes: ZN, GRN
- Wt./C 152 Lbs. (68.9 kg)



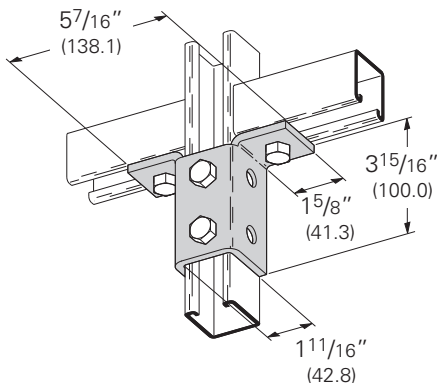
B271 Five Hole Double Wing Connection

- Standard finishes: ZN, GRN
- Wt./C 95 Lbs. (43.1 kg)



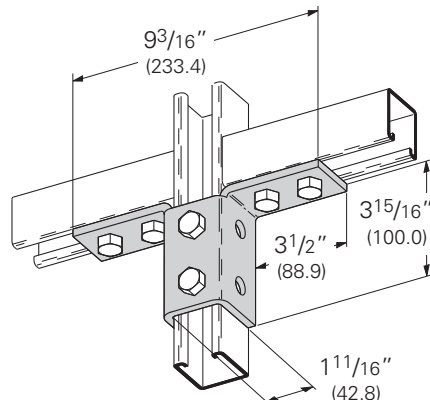
B272 Eight Hole Double Wing Connection

- Standard finishes: ZN, GRN
- Wt./C 156 Lbs. (70.7 kg)



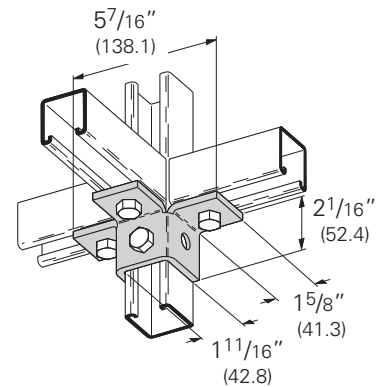
B273 Ten Hole Double Wing Connection

- Standard finishes: ZN, GRN
- Wt./C 185 Lbs. (83.9 kg)



B122 Six Hole Triple Wing Connection

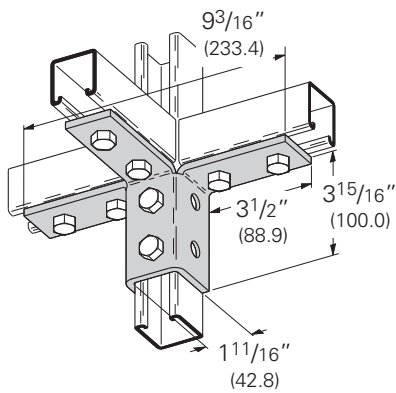
- Standard finishes: ZN, GRN
- Wt./C 110 Lbs. (49.9 kg)



Strut Fittings

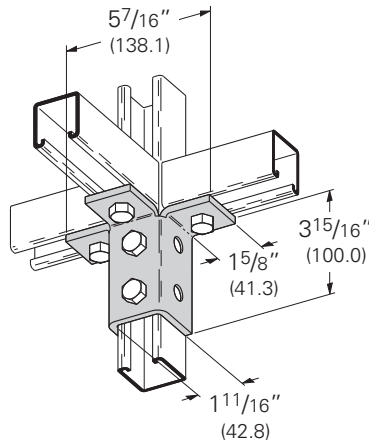
B123
Twelve Hole Triple Wing Connection

- Standard finishes: ZN, GRN
- Wt./C 234 Lbs. (106.1 kg)



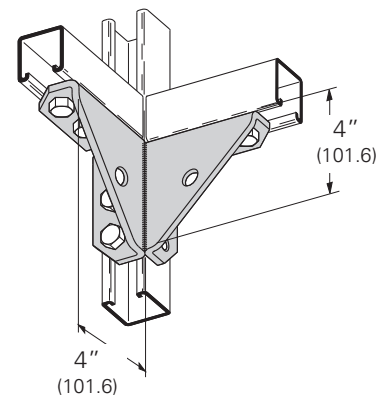
B124
Nine Hole Triple Wing Connection

- Standard finishes: ZN, GRN
- Wt./C 177 Lbs. (80.3 kg)



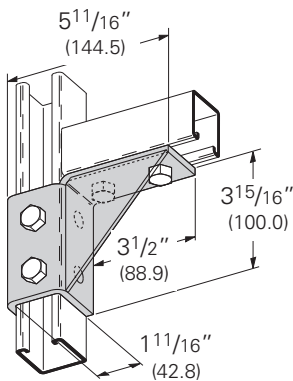
B276
Fourteen Hole Double Corner Gussetted Connection

- Standard finishes: ZN, GRN
- Wt./C 196 Lbs. (88.9 kg)



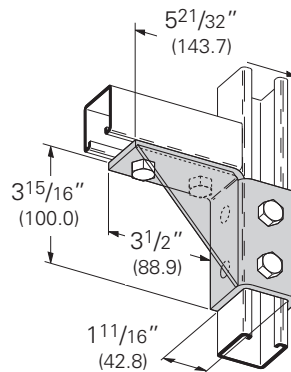
B274R
Eight Hole Single Corner Gussetted Connection (Right Hand)

- Standard finishes: ZN, GRN
- Wt./C 176 Lbs. (79.8 kg)



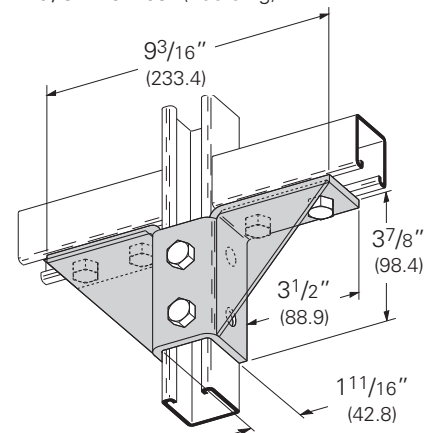
B274L
Eight Hole Single Corner Gussetted Connection (Left Hand)

- Standard finishes: ZN, GRN
- Wt./C 176 Lbs. (79.8 kg)



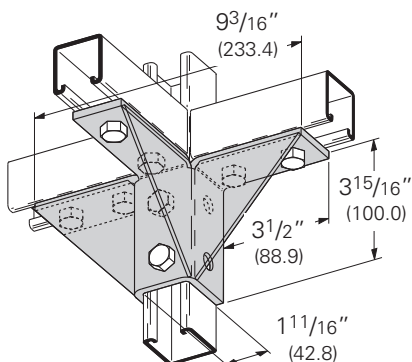
B495
Ten Hole Double Wing Gussetted Connection

- Standard finishes: ZN, GRN
- Wt./C 240 Lbs. (108.8 kg)



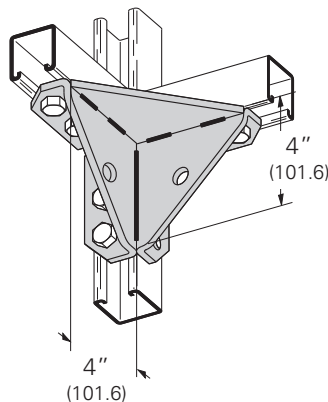
B277
Twelve Hole Triple Wing Gussetted Connection

- Standard finishes: ZN, GRN
- Wt./C 285 Lbs. (129.3 kg)



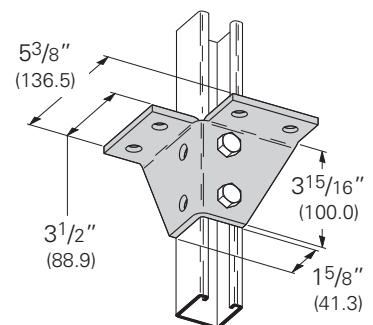
B362
Eight Hole Double Corner Gussetted Connection

- Standard finishes: ZN, GRN
- Wt./C 226 Lbs. (102.5 kg)



B571
Eight Hole Wing Connection

- Standard finishes: ZN, GRN
- Wt./C 201 Lbs. (91.2 kg)

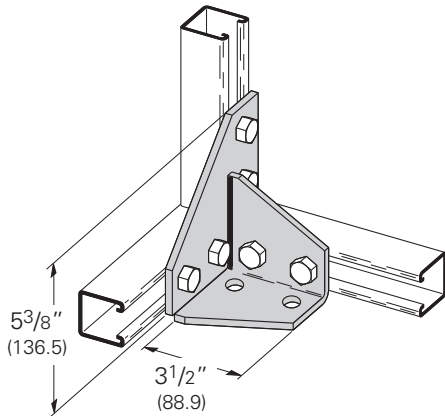


Reference page 73 for general fitting and standard finish specifications.

Wing Fittings & Post Bases

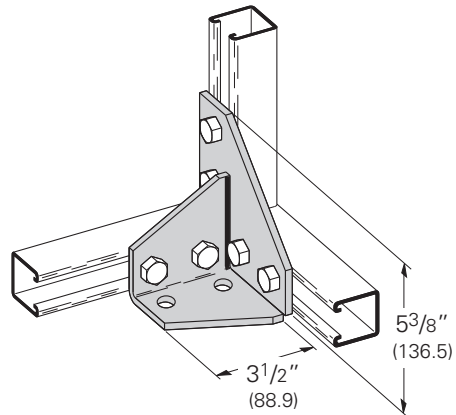
B346L Eight Hole Double Corner Gussetted Connection (Left Hand)

- Standard finishes: ZN, GRN
- Wt./C 242 Lbs. (109.8 kg)



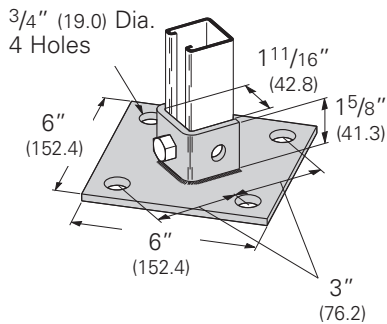
B346R Eight Hole Double Corner Gussetted Connection (Right Hand)

- Standard finishes: ZN, GRN
- Wt./C 242 Lbs. (109.8 kg)



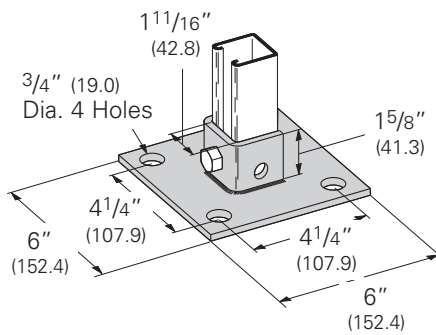
B279 Post Base for B22

- Standard finishes: ZN, GRN
- Wt./C 314 Lbs. (142.4 kg)



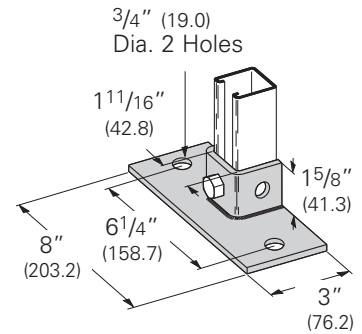
B279SQ Post Base for B22

- Standard finishes: ZN, GRN
- Wt./C 314 Lbs. (142.4 kg)



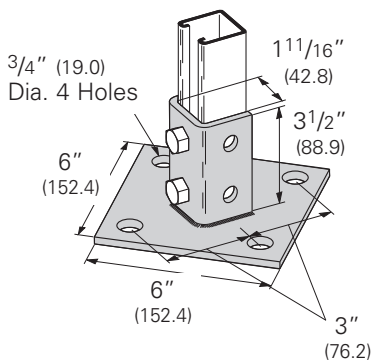
B279FL Post Base for B22

- Standard finishes: ZN, GRN
- Wt./C 230 Lbs. (104.3 kg)



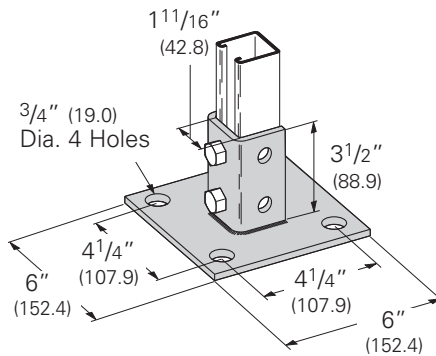
B280 Post Base for B22

- Standard finishes: ZN, GRN, HDG, SS4, AL
- Wt./C 392 Lbs. (177.8 kg)



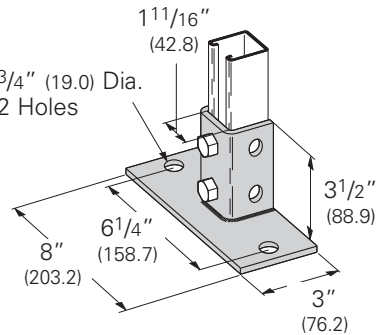
B280SQ Post Base for B22

- Standard finishes: ZN, GRN, HDG, SS4, AL
- Wt./C 392 Lbs. (177.8 kg)



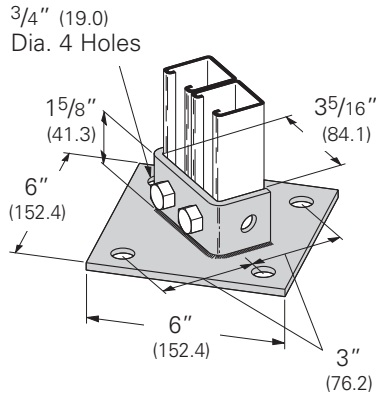
B280FL Post Base for B22

- Standard finishes: ZN, GRN, HDG, SS4
- Wt./C 312 Lbs. (141.5 kg)



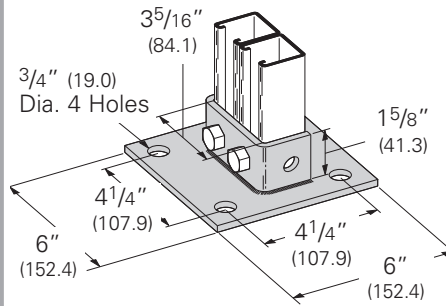
B281A
Post Base for B22A, B, C, ETC.

- Standard finishes: ZN, GRN
- Wt./C 330 Lbs. (149.7 kg)



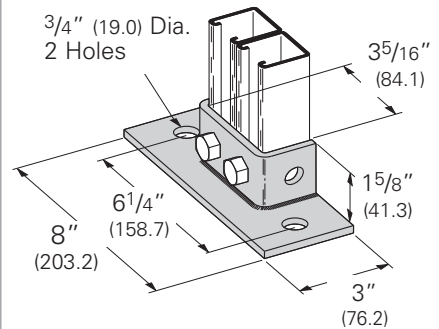
B281ASQ
Post Base for B22A, B, C, Etc.

- Standard finishes: ZN, GRN
- Wt./C 330 Lbs. (149.7 kg)



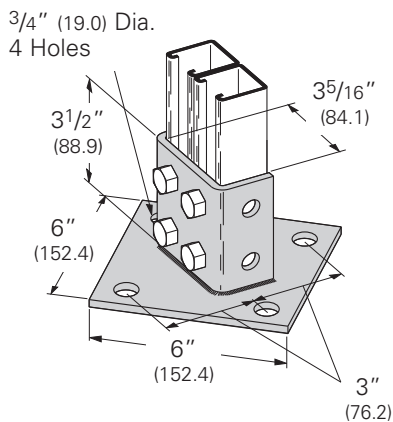
B281AFL
Post Base for B22A, B, C, Etc.

- Standard finishes: ZN, GRN
- Wt./C 250 Lbs. (113.4 kg)



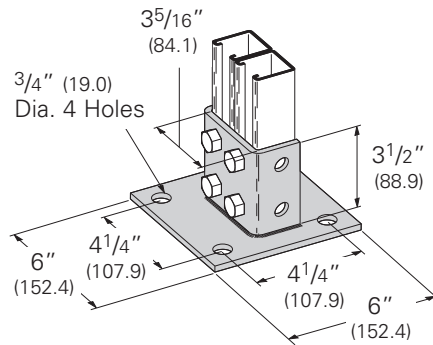
B281
Post Base for B22A, B, C, Etc.

- Standard finishes: ZN, GRN, HDG
- Wt./C 400 Lbs. (181.4 kg)



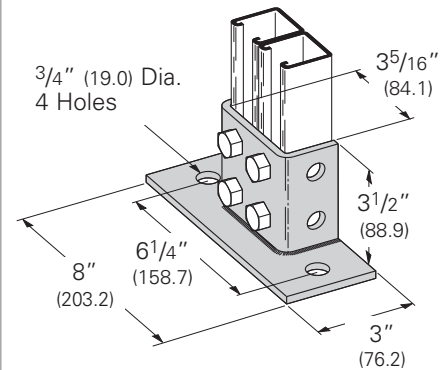
B281SQ
Post Base for B22A, B, C, Etc.

- Standard finishes: ZN, GRN, HDG, SS4
- Wt./C 400 Lbs. (181.4 kg)



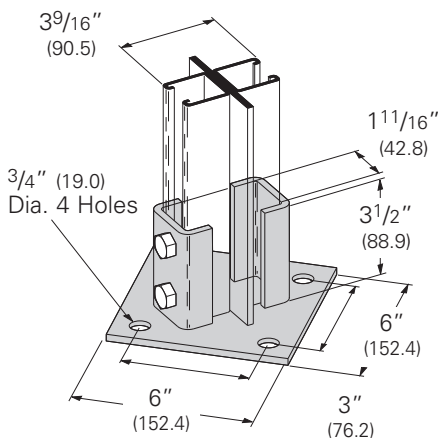
B281FL
Post Base for B22A, B, C, Etc.

- Standard finishes: ZN, GRN
- Wt./C 320 Lbs. (145.1 kg)



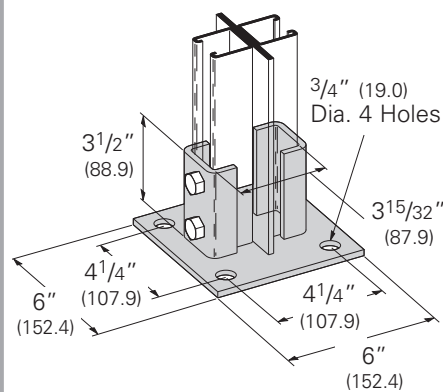
B281M
Post Base for B22-2PL

- Standard finishes: ZN, GRN
- Wt./C 470 Lbs. (213.2 kg)



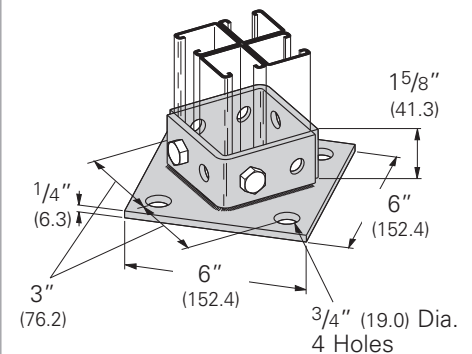
B281MSQ
Post Base for B22-2PL

- Standard finishes: ZN, GRN
- Wt./C 470 Lbs. (213.2 kg)



B570
Post Base for Four Channel Combinations

- Standard finishes: ZN, GRN
- Wt./C 397 Lbs. (180.1 kg)

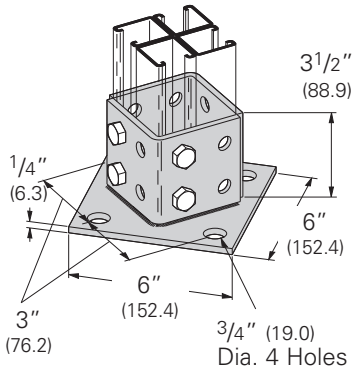


Reference page 73 for general fitting and standard finish specifications.

Post Bases & Brackets

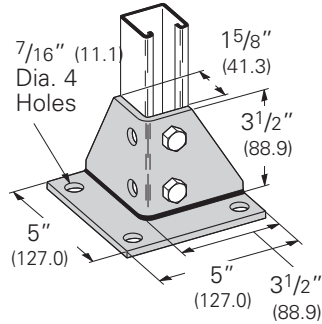
B570A Post Base for Four Channel Combinations

- Standard finishes: ZN, GRN
- Wt./C 550 Lbs. (249.5 kg)



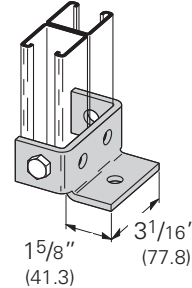
B278 Post Base for B22

- Standard finishes: ZN, GRN
- Wt./C 288 Lbs. (130.6 kg)



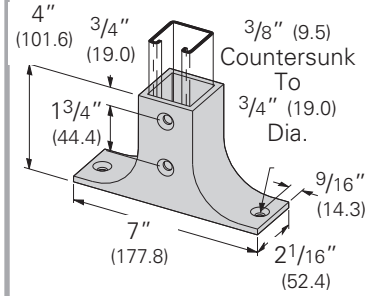
B585 Post Base for B22A

- Standard finishes: ZN, GRN
- Wt./C 97 Lbs. (44.0 kg)



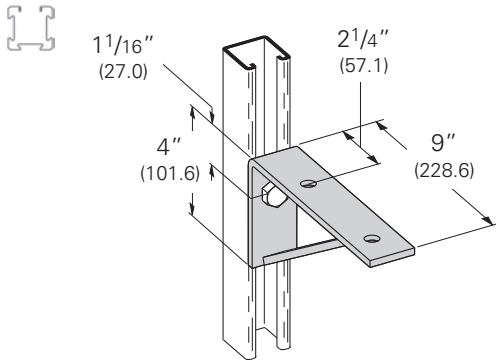
B300 Post Base

- Material: Malleable Iron
- Standard finishes: ZN, GRN
- Wt./C 259 Lbs. (117.5 kg)



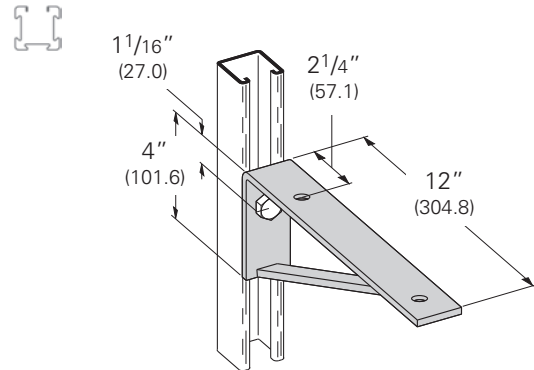
B187 Bracket

- Uniform Loading 1450 Lbs. (6.45 kN)
- Safety Factor of 2.5
- Hole Spacing on Bracket Top 5 5/16" (150.8) Center to Center
- Standard finishes: ZN, GRN
- Wt./C 193 Lbs. (87.5 kg)



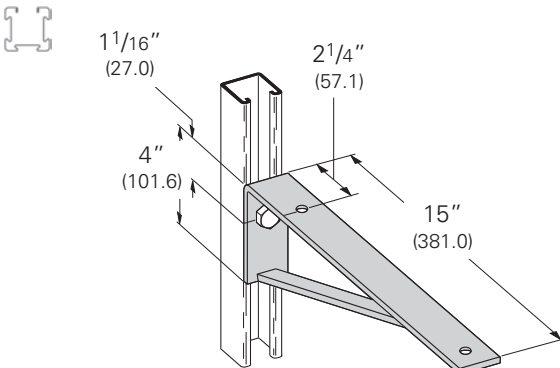
B188 Bracket

- Uniform Loading 1080 Lbs. (4.80 kN)
- Safety Factor of 2.5
- Hole Spacing on Bracket Top 8 15/16" (227.0) Center to Center
- Standard finishes: ZN, GRN
- Wt./C 241 Lbs. (109.3 kg)



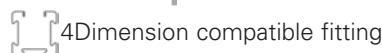
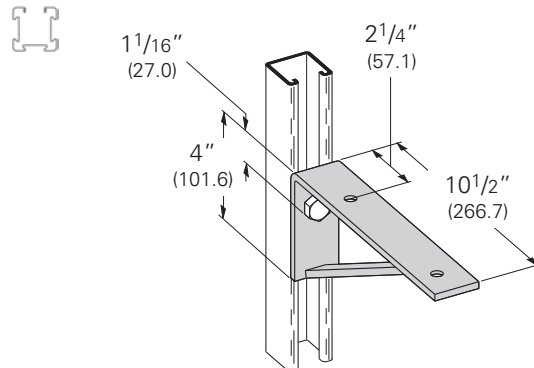
B189 Bracket

- Uniform Loading 870 Lbs. (3.87 kN)
- Safety Factor of 2.5
- Hole Spacing on Bracket Top 11 15/16" (303.2) Center to Center
- Standard finishes: ZN, GRN
- Wt./C 308 Lbs. (139.7 kg)



B541 Bracket

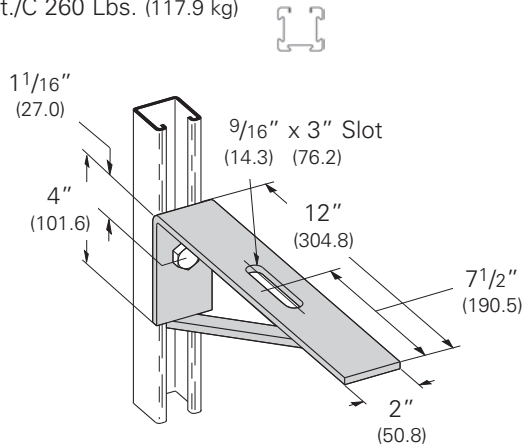
- Uniform Loading 1240 Lbs. (5.51 kN)
- Safety Factor of 2.5
- Hole Spacing on Bracket Top 7 7/16" (188.9) Center to Center
- Standard finishes: ZN, GRN
- Wt./C 201 Lbs. (91.2 kg)



Reference page 73 for general fitting and standard finish specifications.

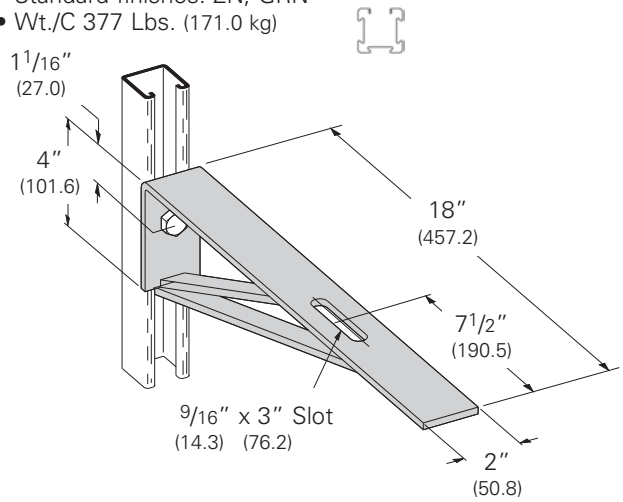
B190 12" (304.8) Bracket

- Uniform Loading 900 Lbs. (4.00 kN)
- Safety Factor of 2.5
- Standard finishes: ZN, GRN
- Wt./C 260 Lbs. (117.9 kg)



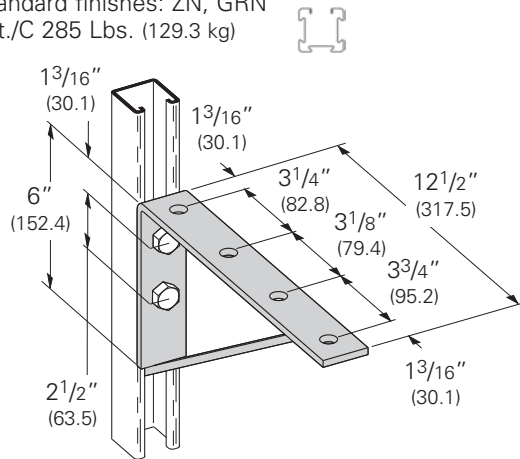
B191-18 18" (457.2) Bracket

- Uniform Loading 600 Lbs. (2.67 kN)
- Safety Factor of 2.5
- Standard finishes: ZN, GRN
- Wt./C 377 Lbs. (171.0 kg)



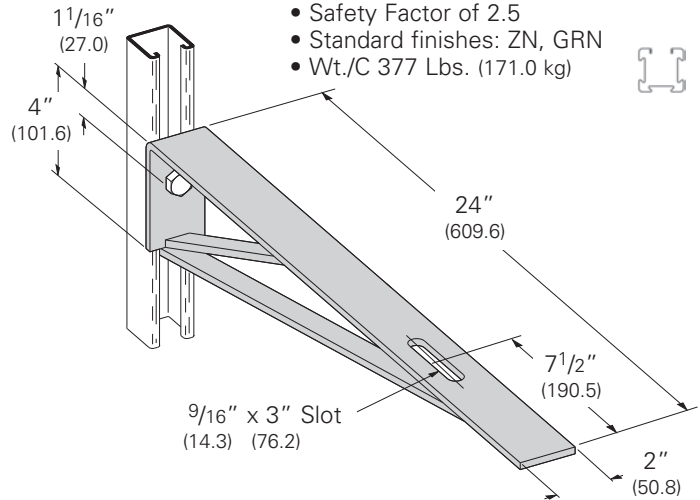
B289-12 12 1/2" (317.5) Bracket

- Uniform Loading 1040 Lbs. (4.63 kN)
- Safety Factor of 2.5
- Standard finishes: ZN, GRN
- Wt./C 285 Lbs. (129.3 kg)



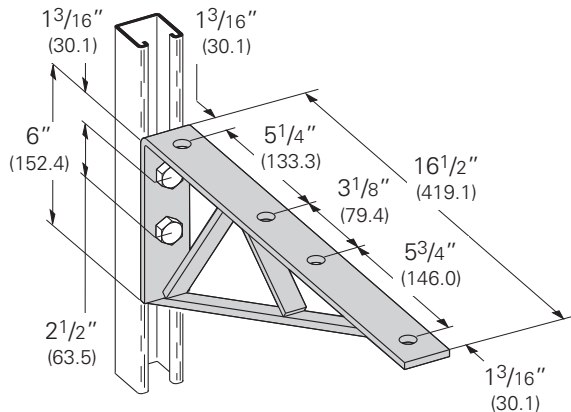
B191-24 24" (609.6) Bracket

- Uniform Loading 450 Lbs. (2.00 kN)
- Safety Factor of 2.5
- Standard finishes: ZN, GRN
- Wt./C 377 Lbs. (171.0 kg)



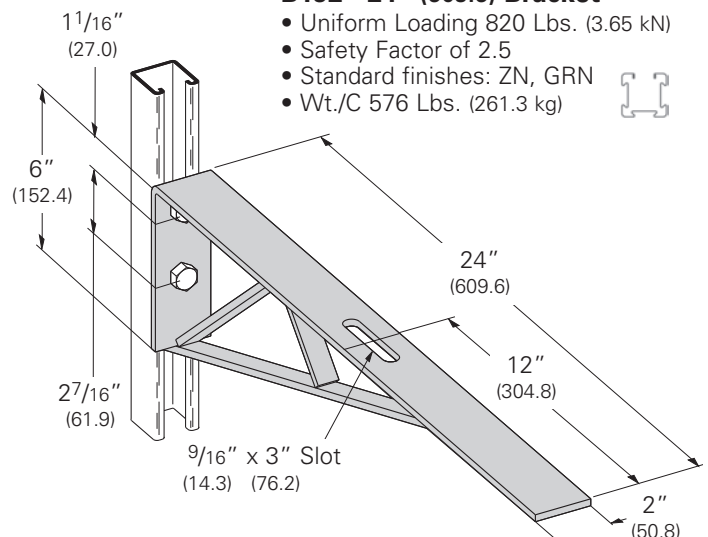
B290 16 1/2" (419.1) Bracket

- Uniform Loading 1200 Lbs. (5.34 kN)
- Safety Factor of 2.5
- Standard finishes: ZN, GRN
- Wt./C 405 Lbs. (183.7 kg)



B192 24" (609.6) Bracket

- Uniform Loading 820 Lbs. (3.65 kN)
- Safety Factor of 2.5
- Standard finishes: ZN, GRN
- Wt./C 576 Lbs. (261.3 kg)



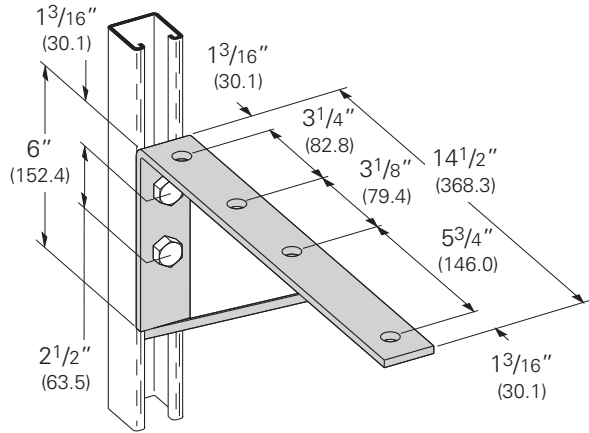
4Dimension compatible fitting

Reference page 73 for general fitting and standard finish specifications.

Brackets

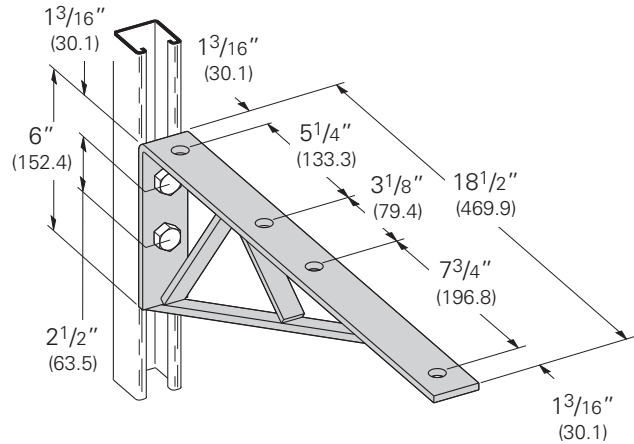
B289-14 14 1/2" (368.3) Bracket

- Uniform Loading 900 Lbs. (4.00 kN)
- Safety Factor of 2.5
- Standard finishes: ZN, GRN
- Wt./C 295 Lbs. (133.8 kg)



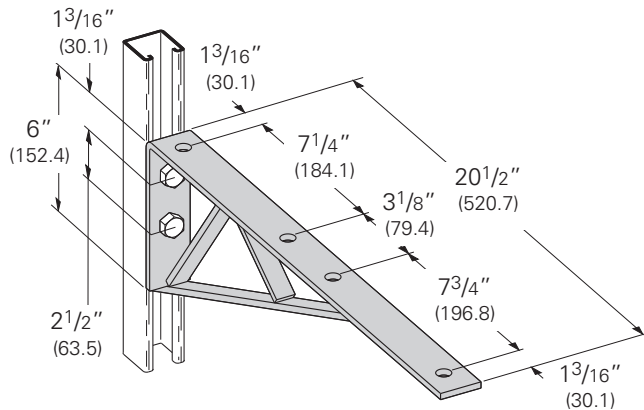
B291 18 1/2" (469.9) Bracket

- Uniform Loading 1070 Lbs. (4.76 kN)
- Safety Factor of 2.5
- Standard finishes: ZN, GRN
- Wt./C 468 Lbs. (212.3 kg)



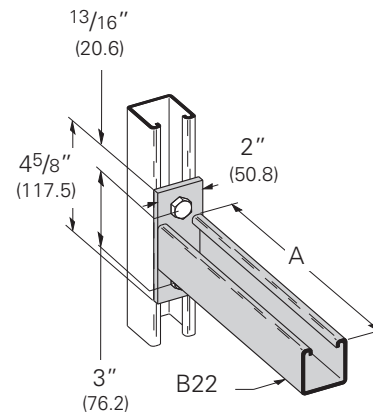
B292 20 1/2" (520.7) Bracket

- Uniform Loading 600 Lbs. (2.67 kN)
- Safety Factor of 2.5
- Standard finishes: ZN, GRN, HDG, SS4
- Wt./C 490 Lbs. (222.2 kg)



B409 Single Channel Bracket

- Safety Factor of 2.5
- Standard finishes: ZN, GRN, SS4



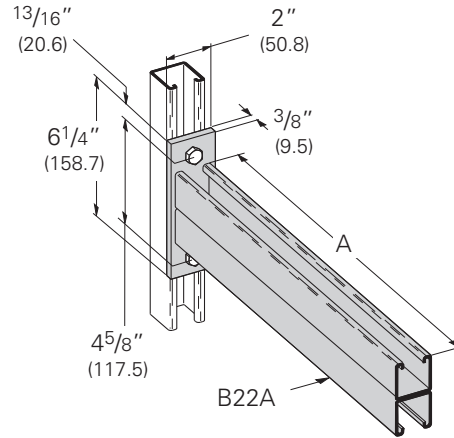
Part No.	A		Uniform Load		Wt./C	
	In.	mm	Lbs.	kN	Lbs.	kg
B409-6	6"	(152.4)	1920	(8.54)	152	(68.9)
B409-9	9"	(228.6)	1280	(5.69)	195	(88.4)
B409-12	12"	(304.8)	960	(4.27)	232	(105.2)
B409-14	14"	(355.6)	800	(3.56)	274	(124.3)
B409-16	16"	(406.4)	730	(3.25)	314	(142.4)
B409-18	18"	(457.2)	640	(2.84)	347	(157.4)
B409-24	24"	(609.6)	480	(2.13)	450	(204.1)

4Dimension compatible fitting

Reference page 73 for general fitting and standard finish specifications.

B297 Double Channel Bracket

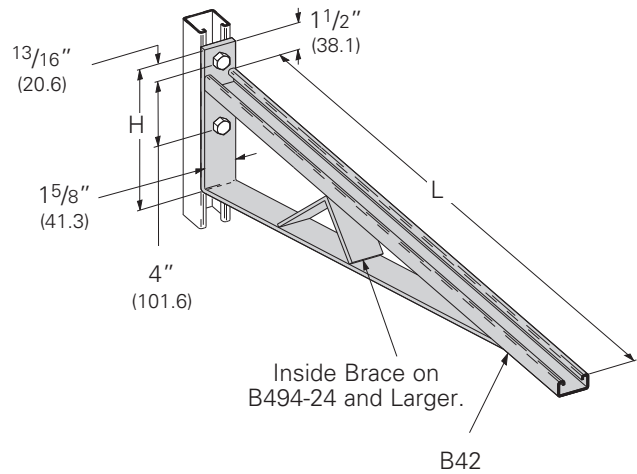
- Safety Factor of 2.5
- Standard finishes: ZN, GRN, HDG



Part No.	A		Uniform Load		Wt./C	
	In.	mm	Lbs.	kN	Lbs.	kg
B297-12	12"	(304.8)	1660	(7.37)	485	(220.0)
B297-18	18"	(457.2)	1100	(4.88)	668	(303.0)
B297-24	24"	(609.6)	835	(3.71)	857	(388.7)
B297-30	30"	(762.0)	665	(2.95)	1040	(471.7)
B297-36	36"	(914.4)	550	(2.44)	1240	(562.4)
B297-42	42"	(1066.8)	465	(2.06)	1440	(653.2)

B494 Braced Single Bracket

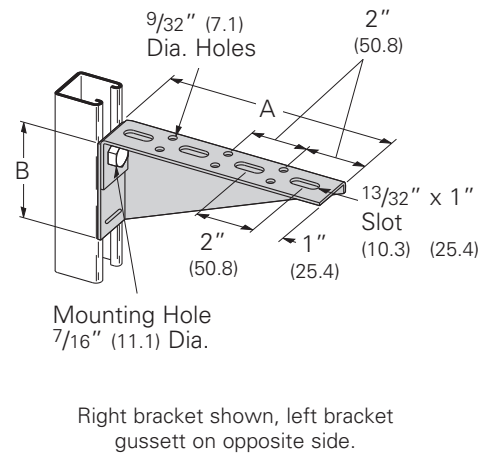
- Safety Factor of 2.5
- Standard finishes: ZN, GRN



Part No.	L	H	Uniform Load		Wt. /C			
	In.	mm	In.	mm	Lbs.	kg		
B494-12	12"	(304.8)	8 ³ / ₄ "	(222.2)	1580	(7.02)	364	(165.1)
B494-18	18"	(475.2)	8 ³ / ₄ "	(222.2)	1000	(4.45)	479	(217.3)
B494-24	24"	(609.6)	8 ³ / ₄ "	(222.2)	996	(4.43)	716	(324.8)
B494-30	30"	(762.0)	11 ¹ / ₄ "	(285.7)	924	(4.11)	927	(420.5)
B494-36	36"	(914.4)	11 ¹ / ₄ "	(285.7)	864	(3.84)	1095	(496.7)
B494-42	42"	(1066.8)	16"	(406.4)	580	(2.58)	1400	(635.0)
B494-48	48"	(1219.2)	16"	(406.4)	500	(2.22)	1510	(684.9)

B174SH-B186SH L&R Slotted Bracket

- Safety Factor of 2.5
- Specify L for left or R for right bracing
- Material: ASTM A1011 33,000 PSI min. yield
- Standard finishes: ZN, GRN



Part No.	A		B		Uniform Load		Wt./C	
	In.	mm	In.	mm	Lbs.	kN	Lbs.	kg
B174SH	24"	(609.6)	6 ⁷ / ₁₆ "	(163.5)	225	(1.00)	370	(167.8)
B175SH	26"	(660.4)	6 ¹⁵ / ₁₆ "	(176.2)	225	(1.00)	425	(192.8)
B176SH	28"	(711.2)	7 ⁷ / ₁₆ "	(188.9)	225	(1.00)	480	(217.7)
B177SH	30"	(762.0)	7 ¹⁵ / ₁₆ "	(201.6)	225	(1.00)	520	(235.9)
B178SH	12"	(304.8)	3 ⁷ / ₁₆ "	(87.3)	350	(1.55)	143	(64.8)
B179SH	14"	(355.6)	3 ¹⁵ / ₁₆ "	(100.0)	350	(1.55)	162	(73.5)
B180SH	16"	(406.4)	4 ⁷ / ₁₆ "	(112.7)	250	(1.11)	204	(92.5)
B181SH	18"	(457.2)	4 ¹⁵ / ₁₆ "	(125.4)	250	(1.11)	232	(105.2)
B182SH	20"	(508.0)	5 ⁷ / ₁₆ "	(138.1)	250	(1.11)	275	(124.7)
B183SH	22"	(558.8)	5 ¹⁵ / ₁₆ "	(150.8)	250	(1.11)	317	(143.8)
B184SH	6"	(152.4)	1 ¹⁵ / ₁₆ "	(49.2)	225	(1.00)	58	(26.3)
B185SH	8"	(203.2)	2 ⁷ / ₁₆ "	(61.9)	225	(1.00)	82	(37.2)
B186SH	10"	(254.0)	2 ¹⁵ / ₁₆ "	(74.6)	325	(1.44)	103	(46.7)

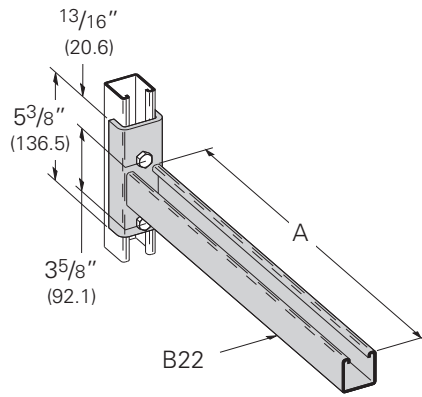
4Dimension compatible fitting

Reference page 73 for general fitting and standard finish specifications.

Brackets

B196 Channel Clevis Bracket

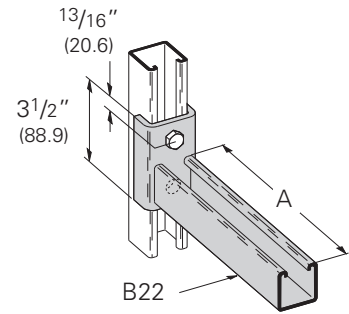
- Safety Factor of 2.5
- Standard finishes: ZN, GRN



Part No.	A		Uniform Load		Wt./C	
	In.	mm	Lbs.	kN	Lbs.	kg
B196-18	18"	(457.2)	600	(2.67)	430	(195.0)
B196-24	24"	(609.6)	450	(2.00)	510	(231.3)

B198 Channel Clevis Bracket

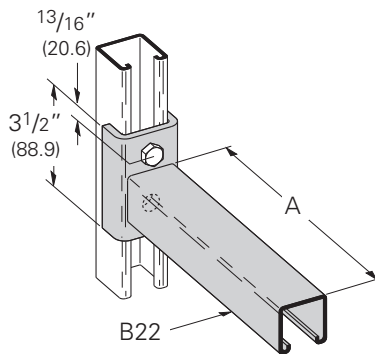
- Safety Factor of 2.5
- Standard finishes: ZN, GRN



Part No.	A		Uniform Load		Wt./C	
	In.	mm	Lbs.	kN	Lbs.	kg
B198-6	6"	(152.4)	1600	(7.12)	185	(83.9)
B198-12	12"	(304.8)	800	(3.56)	284	(128.8)

B198A Channel Clevis Bracket

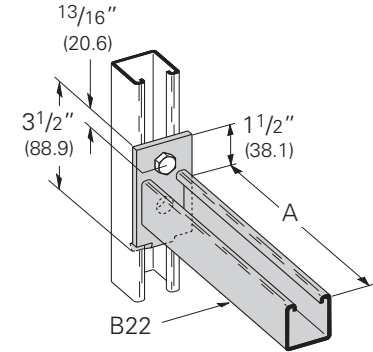
- Safety Factor of 2.5
- Standard finishes: ZN, GRN



Part No.	A		Uniform Load		Wt./C	
	In.	mm	Lbs.	kN	Lbs.	kg
B198A-6	6"	(152.4)	1600	(7.12)	185	(83.9)
B198A-12	12"	(304.8)	800	(3.56)	284	(128.8)

B293 Channel Bracket

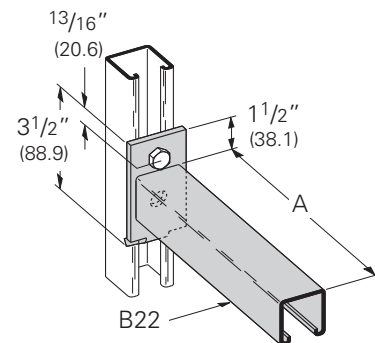
- Safety Factor of 2.5
- Standard finishes: ZN, GRN



Part No.	A		Uniform Load		Wt./C	
	In.	mm	Lbs.	kN	Lbs.	kg
B293-6	6"	(152.4)	1200	(5.34)	144	(65.3)
B293-12	12"	(304.8)	600	(2.67)	252	(114.3)
B293-18	18"	(457.2)	400	(1.78)	340	(154.2)
B293-24	24"	(609.6)	300	(1.33)	412	(186.9)

B293A Channel Bracket

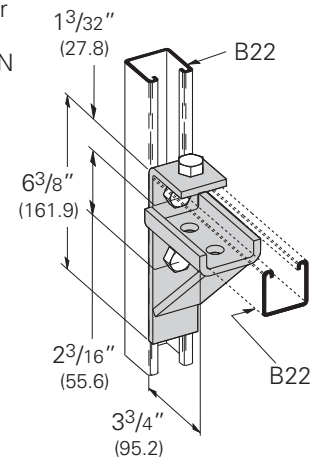
- Safety Factor of 2.5
- Standard finishes: ZN, GRN



Part No.	A		Uniform Load		Wt./C	
	In.	mm	Lbs.	kN	Lbs.	kg
B293A-6	6"	(152.4)	1200	(5.34)	144	(65.3)
B293A-12	12"	(304.8)	600	(2.67)	252	(114.3)
B293A-18	18"	(457.2)	400	(1.78)	340	(154.2)
B293A-24	24"	(609.6)	300	(1.33)	412	(186.9)

B194 Bracket for B22 & B24

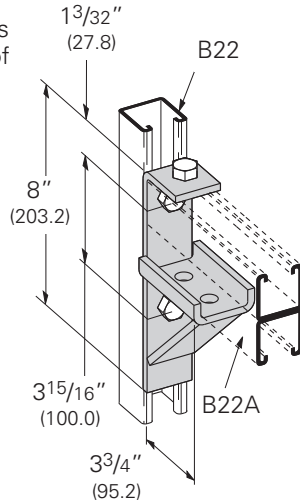
- Safety Factor of 2.5
- 6300 In.-Lbs (712 N•m) applies to fitting only, not to strength of strut arm
- Refer to pages 23 & 24 for strut loading data
- Standard finishes: ZN, GRN
- Wt./C 210 Lbs. (95.2 kg)



Reference page 73 for general fitting and standard finish specifications.

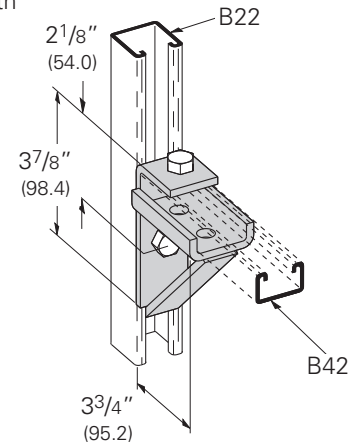
B370 Bracket for B22A & B11

- Safety Factor of 2.5
- 13000 In.-Lbs (1469 N•m) applies to fitting only, not to strength of strut arm
- Refer to pages 23 & 24 for strut loading data
- Standard finishes: ZN, GRN
- Wt./C 266 Lbs. (120.6 kg)



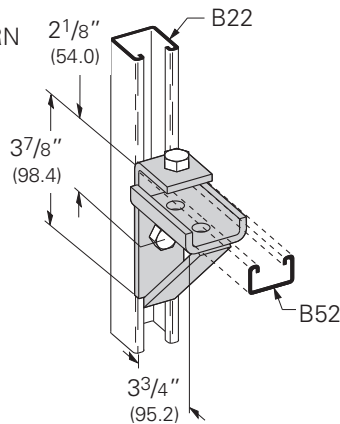
B195 Bracket for B42

- Safety Factor of 2.5
- 2500 In.-Lbs (282 N•m) applies to fitting only, not to strength of strut arm
- Refer to pages 23, 24 & 32 for strut loading data
- Standard finishes: ZN, GRN
- Wt./C 174 Lbs. (78.9 kg)



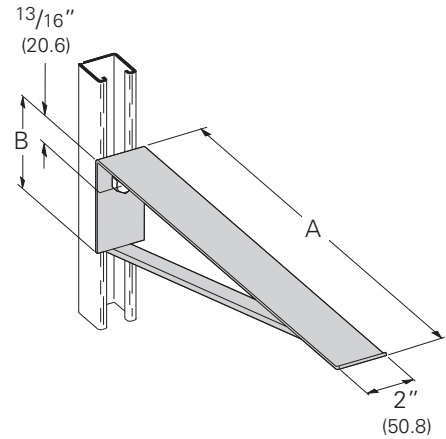
B440 Bracket for B52 & B54

- Safety Factor of 2.5
- 2000 In.-Lbs (226 N•m) applies to fitting only, not to strength of strut arm
- Refer to page 23, 24 & 34 for strut loading data
- Standard finishes: ZN, GRN
- Wt./C 177 Lbs. (80.3 kg)



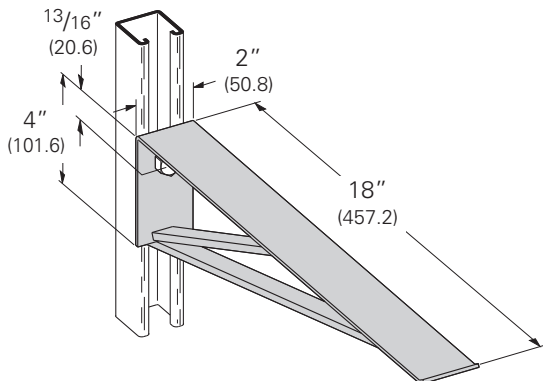
B449-4, 8 & 12 Cable Saddle Bracket

- Safety Factor of 2.5
- Material: 11 Gauge (3.0) ASTM A1011 HSLAS Gr. 50
- Standard finishes: ZN, GRN



B449-18 18" (457.2) Cable Saddle Bracket

- Safety Factor of 2.5
- Uniform Load 960 Lbs. (4.17 kN)
- Material: 11 Gauge (3.0) ASTM A1011 HSLAS Gr. 50
- Standard finishes: ZN, GRN
- Wt./C 312 Lbs. (141.5 kg)



Part No.	A		B		Uniform Load		Wt./C	
	In.	mm	In.	mm	Lbs.	kN	Lbs.	kg
B449-4	4 1/2"	(114.3)	2 3/8"	(60.3)	2400	(10.67)	74	(33.5)
B449-8	8 1/2"	(215.9)	2 3/8"	(60.3)	1270	(5.65)	124	(56.2)
B449-12	12 1/2"	(317.5)	4"	(101.6)	860	(3.82)	184	(83.4)

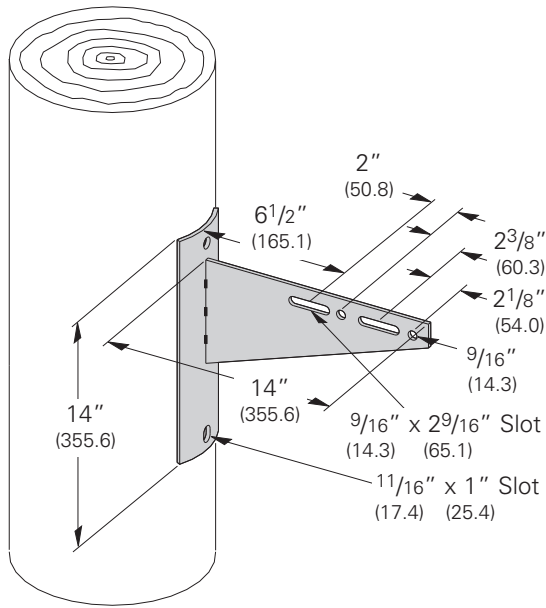
4Dimension compatible fitting

Reference page 73 for general fitting and standard finish specifications.

Brackets

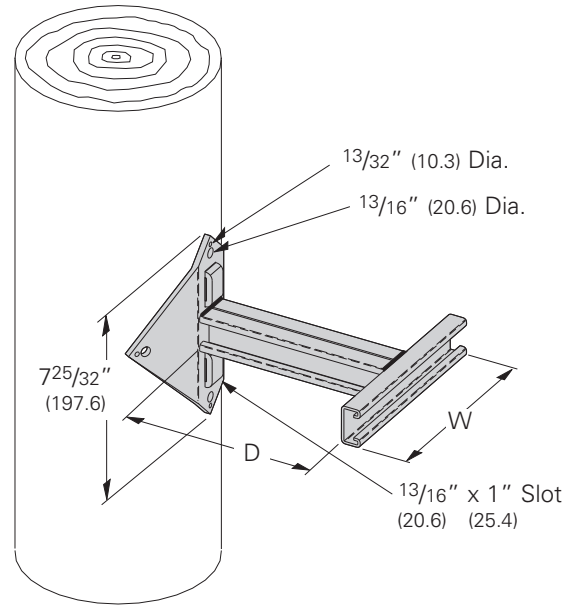
B816

- Standard finishes: ZN, HDG



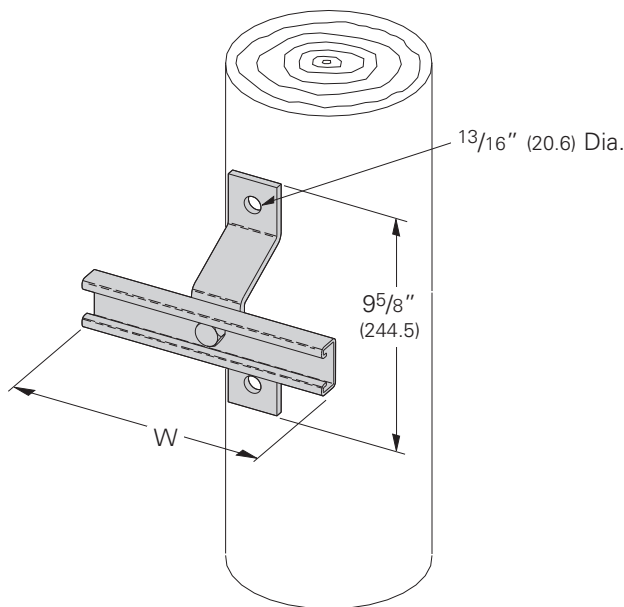
B852S-*.***

- *Specify Width: W = 8, 12, 16
- **Specify Depth: D = 6, 8, 10, 12, 16, 18, 24
- 13/16" (20.6mm) x 1" (25.4mm) banding slots for steel band
- Standard finishes: ZN, HDG



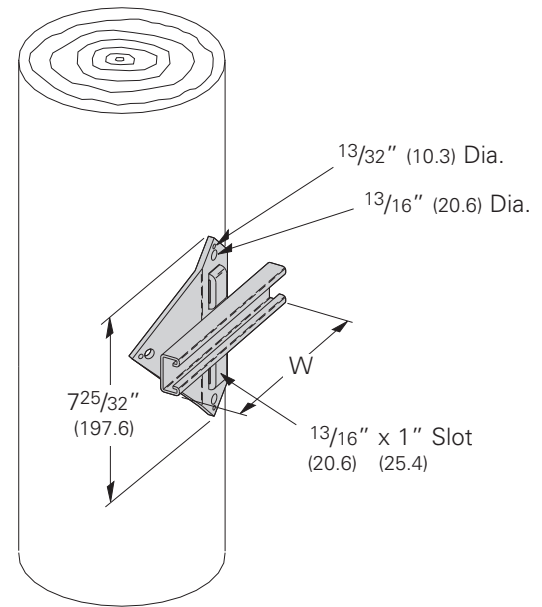
B802D-*

- *Specify Width: W = 8, 12, 16
- Standard finishes: ZN, HDG



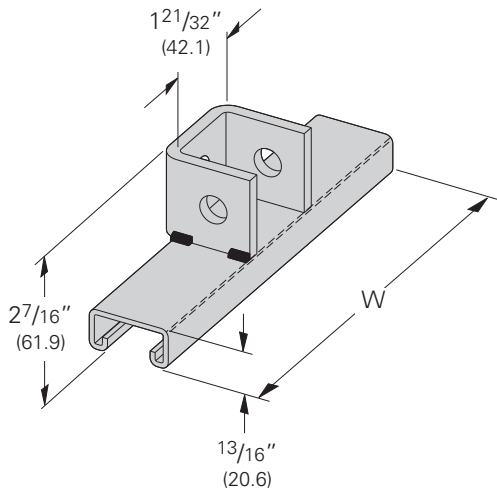
B810-*

- *Specify Width: W = 8, 12, 16
- 13/16" (20.6mm) x 1" (25.6mm) banding slots for steel band
- Standard finishes: ZN, HDG



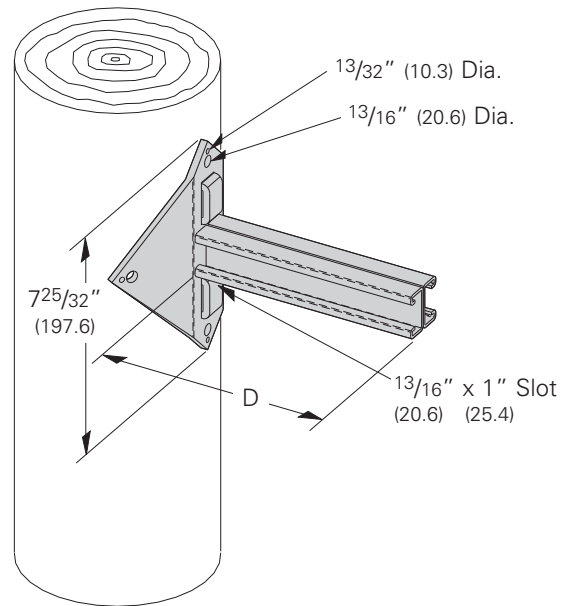
B811-*

- *Specify Width: W = 8, 12, 16
- Can be attached directly to B809 & B812
- Standard finishes: ZN, HDG



B812-*

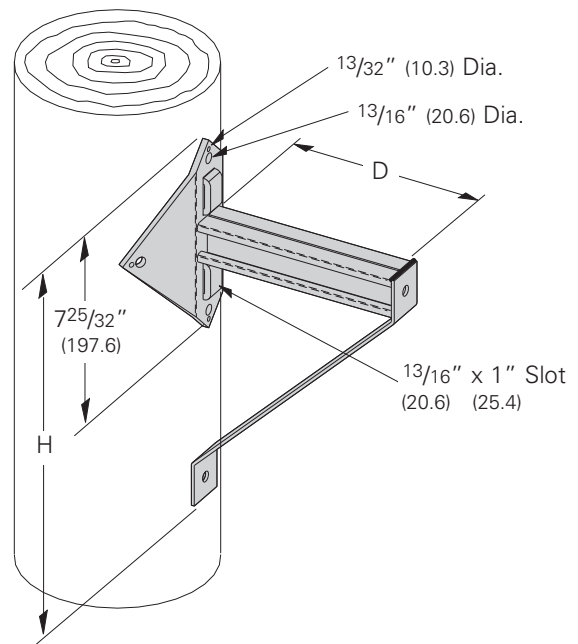
- *Specify Depth: D = 6, 8, 10, 12, 16, 18, 24
- 13/16" (20.6mm) x 1" (25.4mm) banding slots for steel band
- Standard finishes: ZN, HDG



B809B-*

- *Specify Depth: D = 6, 8, 10, 12, 16, 18, 24
- 13/16" (20.6mm) x 1" (25.4mm) banding slots for steel band
- Standard finishes: ZN, HDG

Part No.	D		H	
	In.	mm	In.	mm
B809B-6	6"	(152.4)	12 ³ / ₄ "	(323.9)
B809B-8	8"	(203.2)	14 ³ / ₄ "	(374.7)
B809B-10	10"	(254.0)	16 ³ / ₄ "	(425.5)
B809B-12	12"	(304.8)	18 ³ / ₄ "	(476.2)
B809B-16	16"	(406.4)	22 ³ / ₄ "	(577.8)
B809B-18	18"	(457.2)	24 ³ / ₄ "	(628.6)
B809B-24	24"	(609.6)	27 ³ / ₄ "	(704.8)

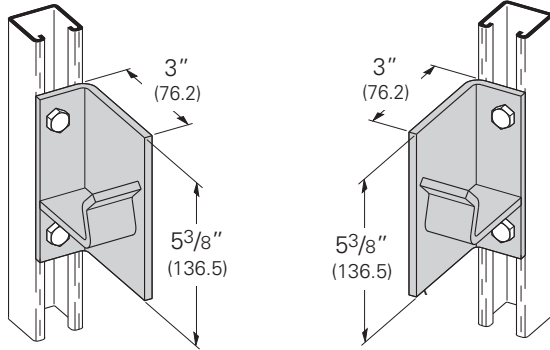


Reference page 73 for general fitting and standard finish specifications.

Miscellaneous Fittings

B214 R&L Reel Rack Support for 1 1/4" (32) Pipe

- Standard finishes: ZN, GRN
- Wt./C 200 Lbs. (90.7 kg)

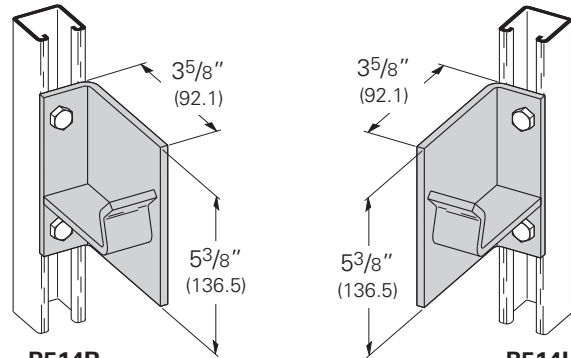


B214R
Right Hand

B214L
Left Hand

B514 R&L Reel Rack Support for 2" (50) Pipe

- Standard finishes: ZN, GRN
- Wt./C 246 Lbs. (111.6 kg)

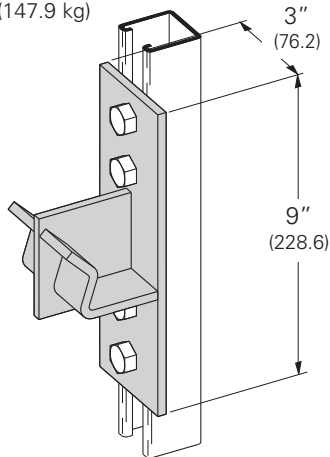


B514R
Right Hand

B514L
Left Hand

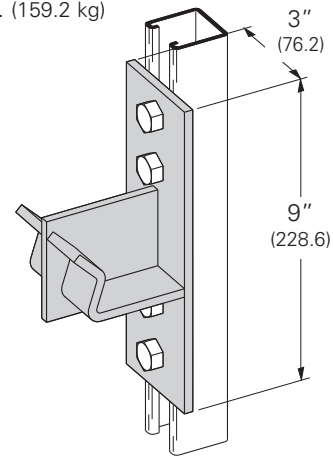
B475 Double Reel Rack Support on Single Channel for 1 1/4" (32) Pipe

- Standard finishes: ZN, GRN
- Wt./C 326 Lbs. (147.9 kg)



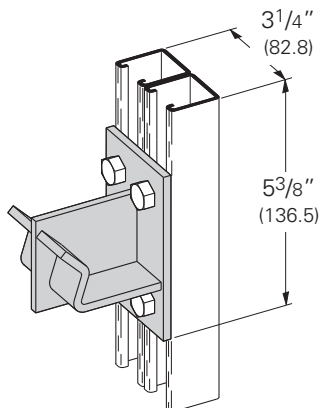
B473 Double Reel Rack Support on Single Channel for 2" (50) Pipe

- Standard finishes: ZN, GRN
- Wt./C 351 Lbs. (159.2 kg)



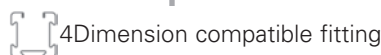
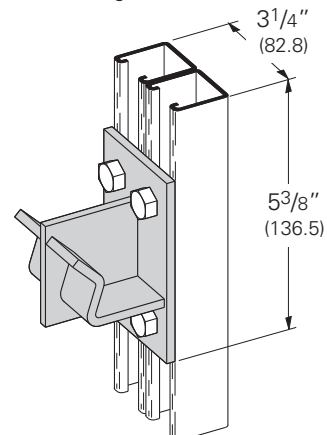
B474 Double Reel Rack Support on Double Channel for 1 1/4" (32) Pipe

- Standard finishes: ZN, GRN
- Wt./C 257 Lbs. (116.6 kg)



B472 Double Reel Rack Support on Double Channel for 2" (50) Pipe

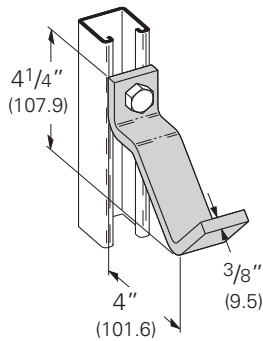
- Standard finishes: ZN, GRN
- Wt./C 299 Lbs. (135.6 kg)



Reference page 73 for general fitting and standard finish specifications.

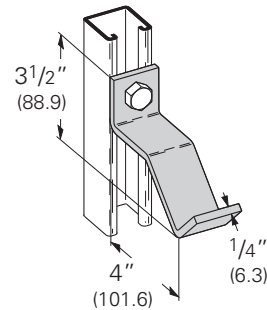
B438 Pipe Support Bracket

- Standard finishes: ZN, GRN
- Material: ASTM A36
- Wt./C 132 Lbs. (59.9 kg)



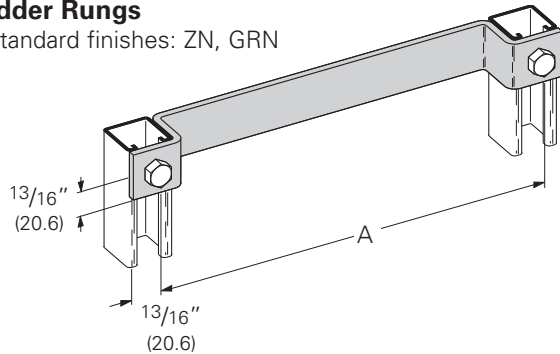
B439 Pipe Support Bracket

- Standard finishes: ZN, GRN
- Wt./C 88 Lbs. (39.9 kg)



B411 Series Ladder Rungs

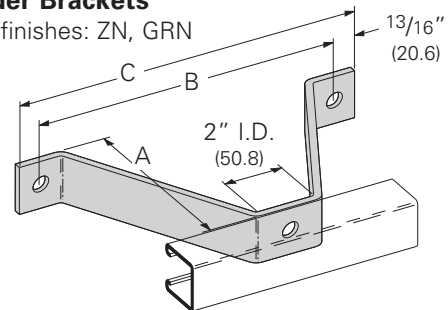
- Standard finishes: ZN, GRN



Part No.	A		Wt./C	
	In.	mm	Lbs.	kg
B411-12	12"	(304.8)	176	(79.8)
B411-15	15"	(381.0)	202	(91.6)
B411-18	18"	(457.2)	234	(106.1)

B381-B385 Wall Ladder Brackets

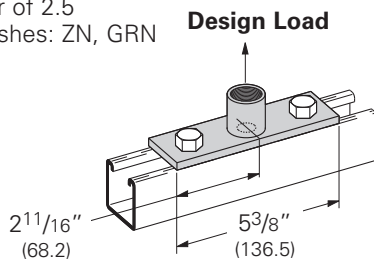
- Standard finishes: ZN, GRN



Part No.	A		B		C		Wt./C	
	In.	mm	In.	mm	In.	mm	Lbs.	kg
B381	2 ³ / ₈ "	(60.3)	6"	(152.4)	7 ⁵ / ₈ "	(193.7)	110	(49.9)
B382	4 ³ / ₈ "	(111.1)	8"	(203.2)	9 ⁵ / ₈ "	(244.5)	164	(74.4)
B383	6 ³ / ₈ "	(161.9)	10"	(254.0)	11 ⁵ / ₈ "	(295.3)	200	(90.7)
B384	8 ³ / ₈ "	(212.7)	12"	(304.8)	13 ⁵ / ₈ "	(346.1)	253	(114.7)
B385	10 ³ / ₈ "	(263.5)	14"	(355.6)	15 ⁵ / ₈ "	(396.9)	318	(144.2)

B587-1/2, 3/4 & 1 Pipe Coupling Fitting

- Safety Factor of 2.5
- Standard finishes: ZN, GRN



Part No.	For Pipe Size		Wt./C		Design Load
	In.	mm	Lbs.	kg	Lbs. kN
B587-1/2	1/2"	(15)	77	(34.9)	1000 (4.45)
B587-3/4	3/4"	(20)	84	(38.1)	1400 (6.23)
B587-1	1"	(25)	105	(47.6)	1900 (8.45)

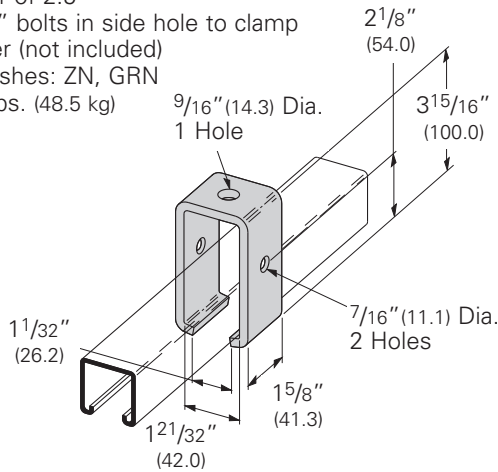
4Dimension compatible fitting

Reference page 73 for general fitting and standard finish specifications.

Miscellaneous Fittings

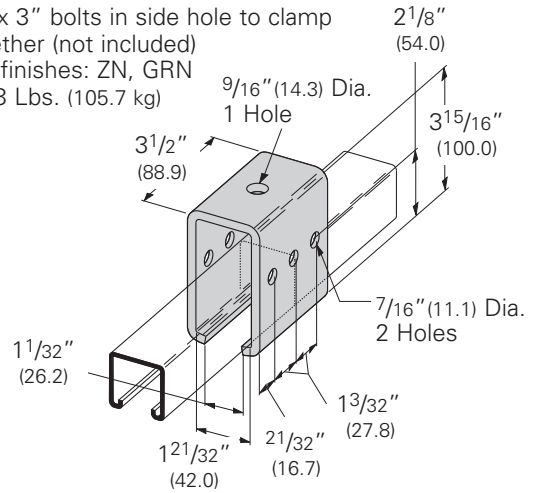
B349 Trolley Beam Support

- Design Load 1200 Lbs. (5.34 kN)
- Safety Factor of 2.5
- Use $\frac{3}{8}$ " x 3" bolts in side hole to clamp strut together (not included)
- Standard finishes: ZN, GRN
- Wt./C 107 Lbs. (48.5 kg)



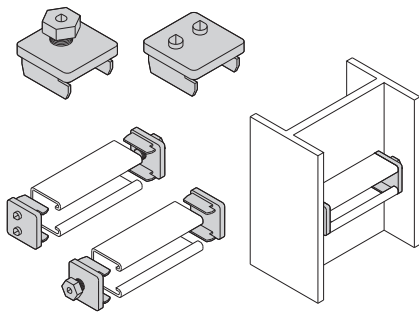
B350 Trolley Beam Joint Support

- Design Load 1200 Lbs. (5.34 kN)
- Use $\frac{3}{8}$ " x 3" bolts in side hole to clamp strut together (not included)
- Standard finishes: ZN, GRN
- Wt./C 233 Lbs. (105.7 kg)



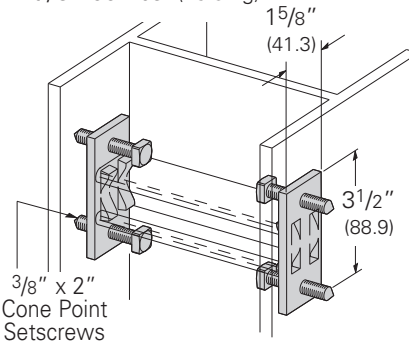
B614 Column Support for B22

- Quick installation (one bolt to tighten)
- Design Load 800 Lbs. (3.56 kN) Slip with Safety Factor of 3
- Use with B22 and B24 Channel
- Sold in pairs
- Standard finish: ZN
- Wt./C 50 Lbs. (22.6 kg)



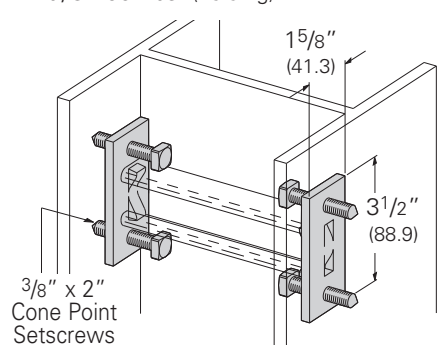
B613 Column Support for B22

- Design Load 800 Lbs. (3.56 kN) Slip with Safety Factor of 3
- Use with B22 and B24 Channel
- Setscrews to be torqued to 19 ft./Lbs
- Sold in pairs
- Standard finishes: ZN, GRN, HDG
- Wt./C 100 Lbs. (45.3 kg)



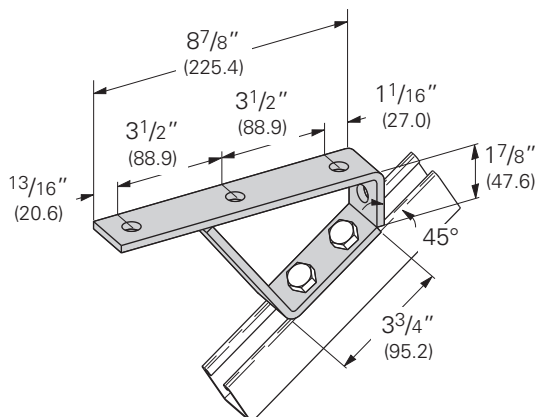
B613A Column Support for B52

- Design Load 800 Lbs. (3.56 kN) Slip with Safety Factor of 3
- Use with B52 and B54 Channel
- Setscrews to be torqued to 19 ft./Lbs
- Sold in pairs
- Standard finishes: ZN, GRN, HDG
- Wt./C 100 Lbs. (45.3 kg)



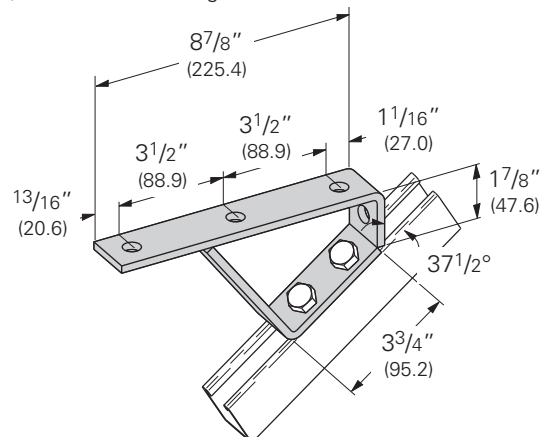
B560 45° Stair Support

- Standard finishes: ZN, GRN
- Wt./C 220 Lbs. (99.8 kg)



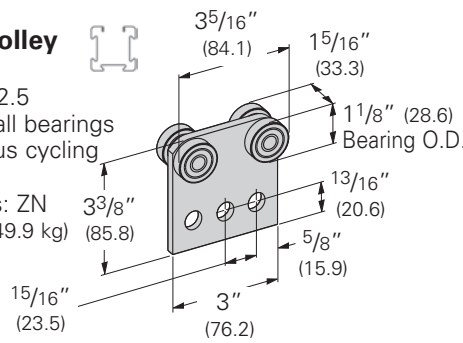
B562 37 1/2° Stair Support

- Standard finishes: ZN, GRN
- Wt./C 206 Lbs. (93.4 kg)



B376 Four Bearing Trolley Assembly

- Safety Factor of 2.5
- Stainless steel ball bearings
- Not for continuous cycling applications
- Standard finishes: ZN
- Wt./C 110 Lbs. (49.9 kg)

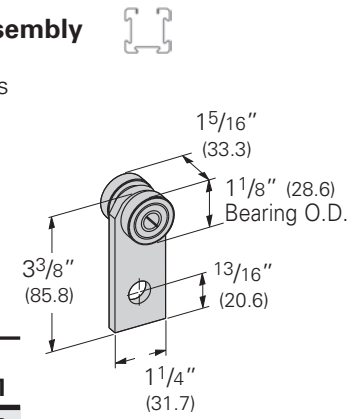


Design Load in B22		
Lbs.	kN	RPM
300	(1.33)	@600
450	(2.00)	@300
600	(2.67)	@100

Design Load

B377 Two Bearing Trolley Assembly

- Safety Factor of 2.5
- Stainless steel ball bearings
- Not for continuous cycling applications
- Standard finishes: ZN
- Wt./C 48 Lbs. (21.8 kg)

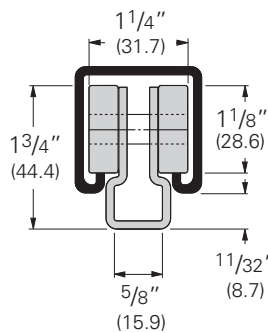


Design Load in B22		
Lbs.	kN	RPM
150	(.67)	@600
225	(1.00)	@300
437	(1.94)	@100

Design Load

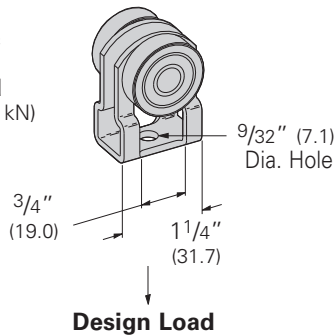
B477 Two Bearing Light Duty Trolley Assembly

- Design Load 50 Lbs. (.22 kN)
- Safety Factor of 2.5
- Stainless steel ball bearings
- Not for continuous cycling applications
- Material: 12 Gauge (2.6) ASTM A1011 33,000 PSI min. yield
- Standard finishes: ZN
- Wt./C 30 Lbs. (13.6 kg)



B477P With Plastic Bearings

- Design Load 10 Lbs. (.045 kN)



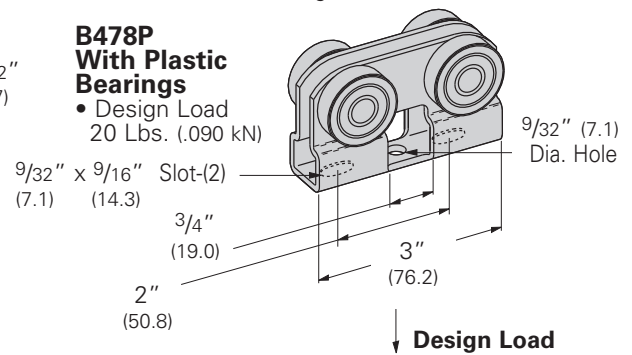
Design Load

B478 Four Bearing Light Duty Trolley Assembly

- Design Load 100 Lbs. (.44 kN)
- Safety Factor of 2.5
- Stainless steel ball bearings
- Not for continuous cycling applications
- Material: 12 Gauge (2.6) ASTM A1011 33,000 PSI min. yield
- Standard finishes: ZN
- Wt./C 68 Lbs. (30.8 kg)

B478P With Plastic Bearings

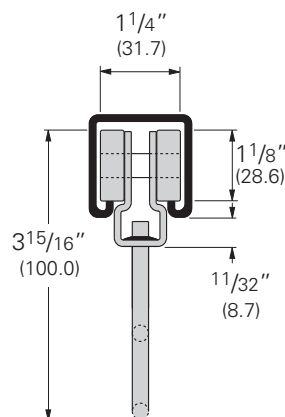
- Design Load 20 Lbs. (.090 kN)



Design Load

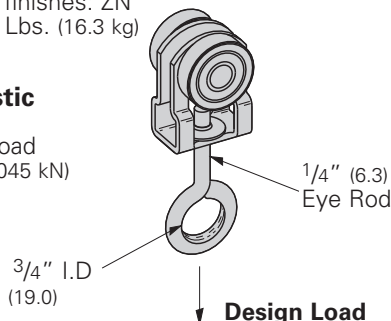
B477H Two Bearing Light Duty Trolley Assembly with Eye Hook

- Design Load 50 Lbs. (.22 kN)
- Safety Factor of 2.5
- Stainless steel ball bearings
- Not for continuous cycling applications
- Material: 12 Gauge (2.6) ASTM A1011 33,000 PSI min. yield
- Standard finishes: ZN
- Wt./C 36 Lbs. (16.3 kg)



B477HP With Plastic Bearings

- Design Load 10 Lbs. (.045 kN)



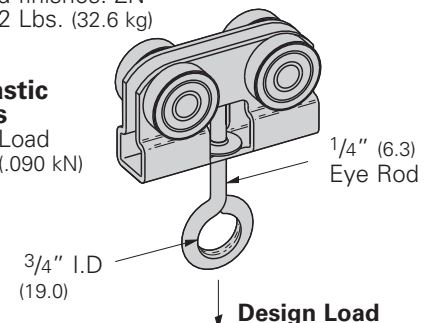
Design Load

B478H Four Bearing Light Duty Trolley Assembly with Eye Hook

- Design Load 100 Lbs. (.44 kN)
- Safety Factor of 2.5
- Stainless steel ball bearings
- Not for continuous cycling applications
- Material: 12 Gauge (2.6) ASTM A1011 33,000 PSI min. yield
- Standard finishes: ZN
- Wt./C 72 Lbs. (32.6 kg)

B478HP With Plastic Bearings

- Design Load 20 Lbs. (.090 kN)



Design Load

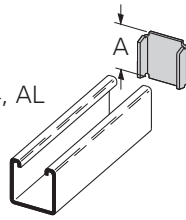
4Dimension compatible fitting

Reference page 73 for general fitting and standard finish specifications.

Miscellaneous Fittings

B203-B206 & B220-B223 Channel End Caps Type X

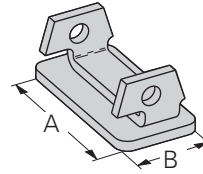
- Material: ASTM A1011 CS Type B
- Standard finishes: ZN, GRN, HDG, SS4, AL



Part No.	Use With	A		Wt./C	
		In.	mm	Lbs.	kg
B203	B42	1.015	(25.8)	6	(2.7)
B204	B54	.827	(21.0)	5	(2.2)
B205	B22	1.640	(41.6)	10	(4.5)
B206	B32	1.390	(35.3)	8	(3.6)
B220	B52	.827	(21.0)	4	(1.8)
B221	B12	2.452	(62.3)	15	(6.8)
B222	B11	3.265	(82.9)	20	(9.1)
B223	B24	1.640	(41.6)	10	(4.5)

B283-B286 Channel End Caps

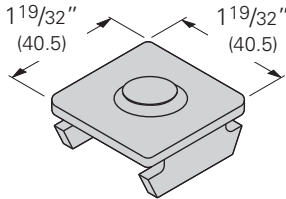
- Material: ASTM A1011 33,000 PSI min. yield
- Standard finishes: ZN, GRN



Part No.	Use With	A		B		Wt./C	
		In.	mm	In.	mm	Lbs.	kg
B283	B52	1 ¹⁹ / ₃₂ "	(40.5)	2 ⁵ / ₃₂ "	(19.8)	6	(2.7)
B284	B54 & B56	1 ¹⁹ / ₃₂ "	(40.5)	2 ⁵ / ₃₂ "	(19.8)	6	(2.7)
B285	B22	1 ¹⁹ / ₃₂ "	(40.5)	1 ¹⁹ / ₃₂ "	(40.5)	13	(5.9)
B286	B24 & B26	1 ¹⁹ / ₃₂ "	(40.5)	1 ¹⁹ / ₃₂ "	(40.5)	14	(6.3)

B287 & B288 Channel End Caps

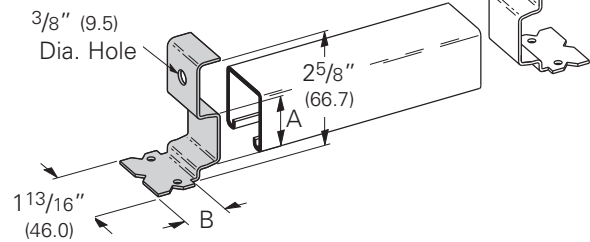
- Material: ASTM A1011 33,000 PSI min. yield
- Standard finishes: ZN, GRN



Part No.	Use With	Wt./C	
		Lbs.	kg
B287	B22	13	(5.9)
B288	B24	14	(6.3)

B3322, B3332, B3342, B3352 Anchor End Caps Type Y

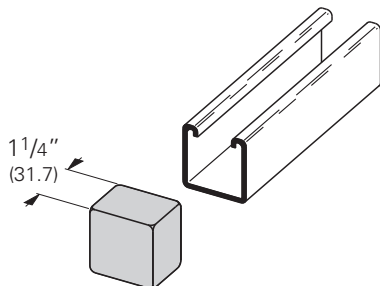
- Material: ASTM A1011 33,000 PSI min. yield
- Standard finishes: ZN



Part No.	Use With	A		B		Wt./C	
		In.	mm	In.	mm	Lbs.	kg
B3322	B221	1.270	(32.2)	1 ³ / ₁₆ "	(30.2)	15	(6.8)
B3332	B321	1.000	(25.4)	1 ³ / ₁₆ "	(30.2)	15	(6.8)
B3342	B421	.645	(16.4)	1 ¹ / ₄ "	(31.8)	15	(6.8)
B3352	B521	.460	(11.7)	1 ⁵ / ₁₆ "	(33.3)	15	(6.8)

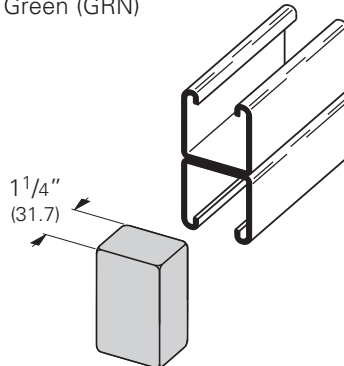
B822 Plastic End Cap for B22 & B24

- Material: Polyvinyl Chloride (PVC/Vinyl)
- Withstands intermittent temperatures up to 350°F (177°C) and 200°F (93°C) continuous
- Wt./C 3 Lbs. (1.3 kg)
- Available in colors: White (W), Yellow (Y), Black (BLK), Gray (GRY), Green (GRN)



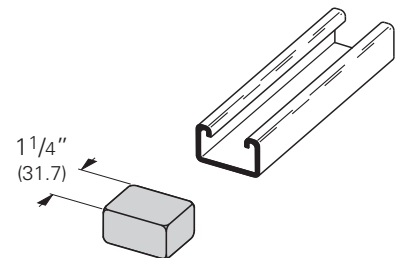
B822A Plastic End Cap for B22A & B11

- Material: Polyvinyl Chloride (PVC/Vinyl)
- Withstands intermittent temperatures up to 350°F (177°C) and 200°F (93°C) continuous
- Wt./C 5 Lbs. (2.2 kg)
- Available in colors: White (W), Yellow (Y), Black (BLK), Gray (GRY), Green (GRN)



B852 Plastic End Cap for B52

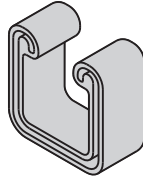
- Material: Polyvinyl Chloride (PVC/Vinyl)
- Withstands intermittent temperatures up to 350°F (177°C) and 200°F (93°C) continuous
- Wt./C 2.5 Lbs. (1.1 kg)
- Available in colors: White (W), Yellow (Y), Black (BLK), Gray (GRY), Green (GRN)



Miscellaneous Fittings

B823 Profile End Caps

- Material: Polyvinyl Chloride (PVC/Vinyl)
- Withstands intermittent temperatures up to 350°F (177°C) and 200°F (93°C) continuous
- Available in colors: White (W), Yellow (Y), Black (BLK), Gray (GRY), Green (GRN)

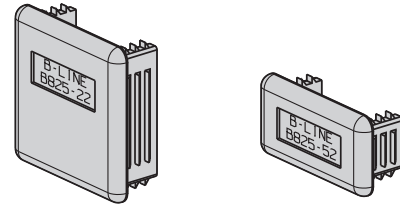


Approx. 3/4" deep
(19.0)

Part No.	Fits Channel Sizes	Wt./C	
		Lbs.	kg
B823-22A	B22A, B24A, B26A	6.9	(3.1)
B823-22	B22, B24, B26	4.1	(1.8)
B823-42	B42	3.8	(1.7)
B823-52	B52, B54, B56	3.5	(1.6)

B825 Plastic End Caps

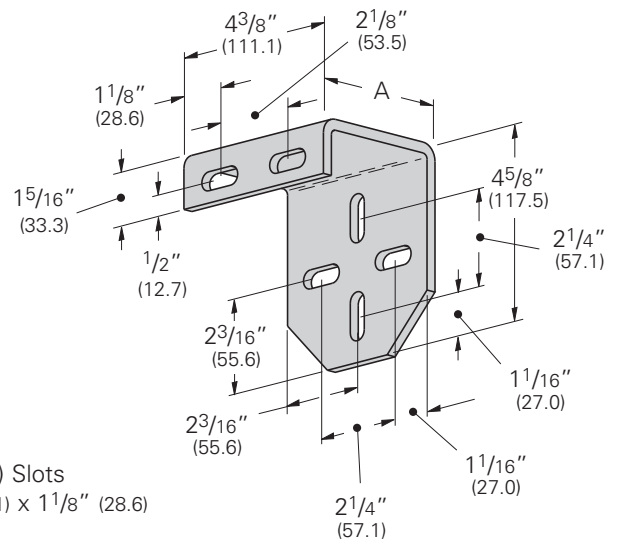
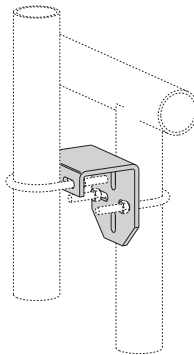
- Material: Polyurethane
- Available in colors: Gray (GRY), Green (GRN)



Part No.	Fits Channel Sizes	Wt./C	
		Lbs.	kg
B825-22	B22 & B24	2.0	(0.9)
B825-52	B52 & B54	1.0	(0.4)

B408SLBVNS Series Stand-Off Brackets

- Material: 1/4" (6.3)
- Standard Finishes: HDG, ZN, GRN
- For pipe or rigid conduit sizes of 1 1/2" (40) and 2" (50) use with B501 Series 'U'-Bolts (see page 53)
- For strut channels 1 5/8" (41.3) wide use with B500 Series Square 'U'-Bolts (see page 53)
- Hardware is not included



Part No.	A In. (mm)	Wt./C	
		Lbs.	kg
B408SLBVNS	3 1/2" (88.9)	189	(85.7)
B408SLBVNS1	3" (76.2)	220	(99.8)
B408SLBVNS2	2" (50.8)	236	(107.0)

Reference page 73 for general fitting and standard finish specifications.