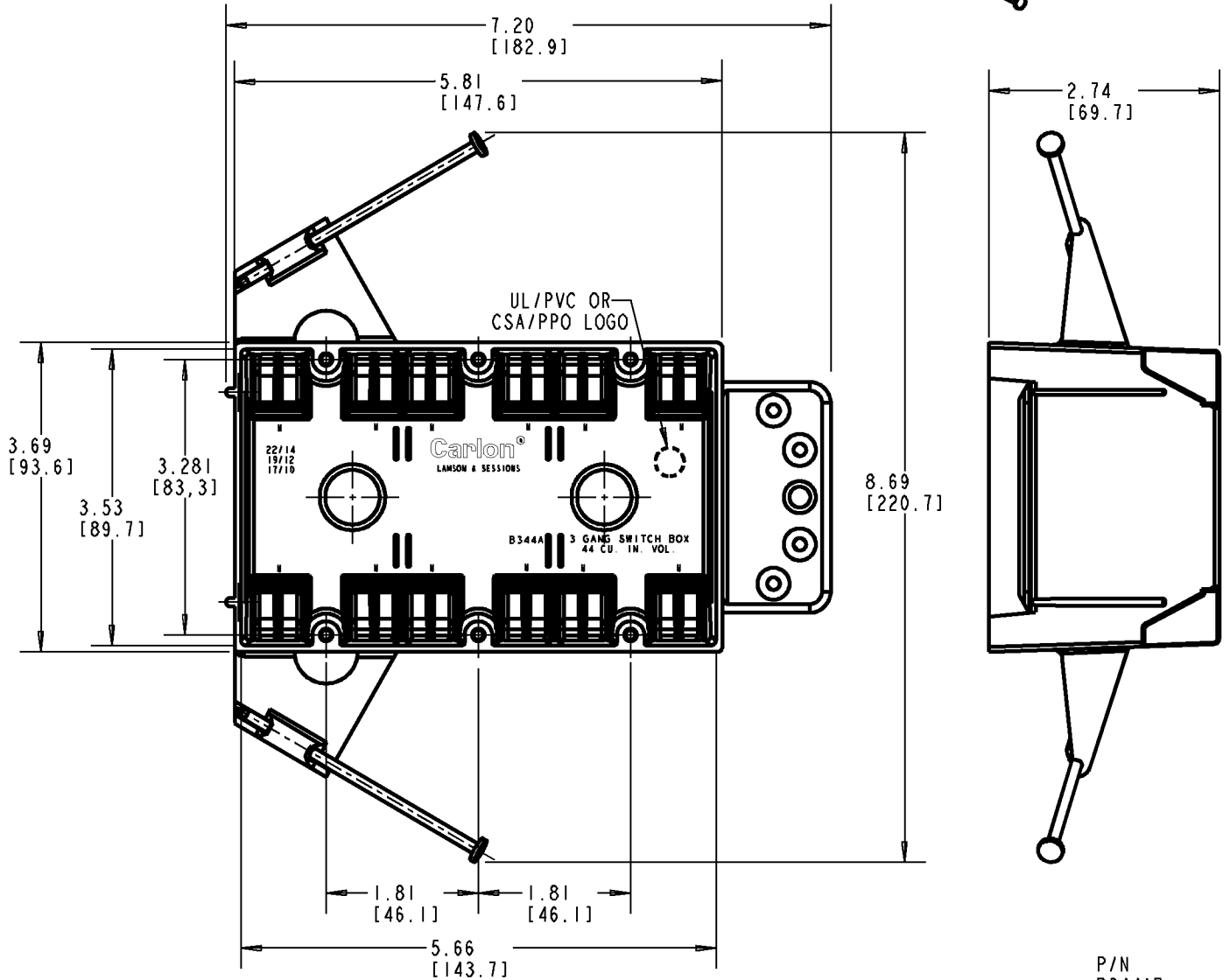
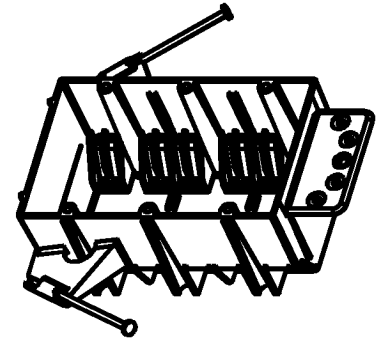


Carlton®



NOTES:
1. SUPPORT NAILS ARE INCLUDED.

P/N
B344AB
B344AR-UPC

GENERAL NOTES

1. ALL DIMENSIONS ARE FOR REFERENCE ONLY.
2. DIMENSIONS IN BRACKETS [] ARE IN METRIC UNITS.

REVISIONS

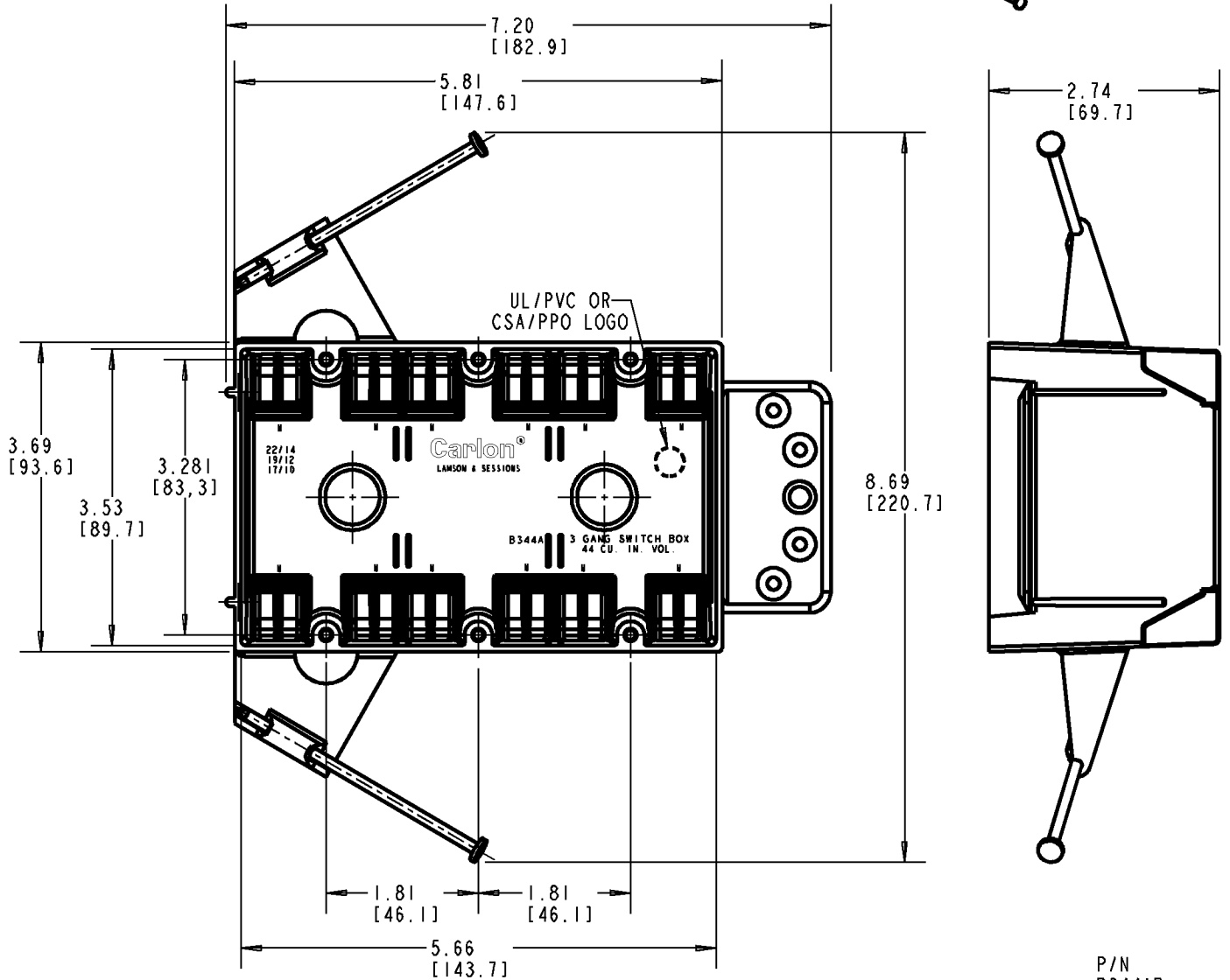
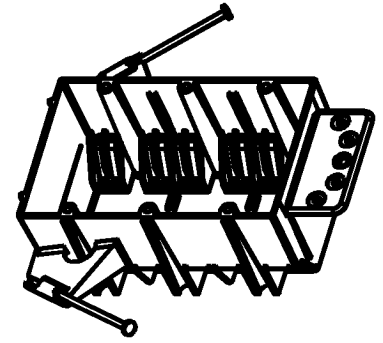
*** SEE ERN (****) FOR APPROVAL SIGNATURES & RELEASE DATE.
PROJECT NO: ****

Thomas & Betts
www.tnb.com

DESCRIPTION: **ZIP BOX 44 CU. IN. VOL. - 3 GANG**

ORIGINAL PROJECT NO / (ERN NO) / ()	SHEET NO: 1 OF 1	REV. NO: B	DRAWING NO: WSD-AC02081
---	---------------------	----------------------	-----------------------------------

Carlton®



NOTES:
1. SUPPORT NAILS ARE INCLUDED.

P/N
B344AB
B344AR-UPC

Thomas & Betts
www.tnb.com

GENERAL NOTES

1. ALL DIMENSIONS ARE FOR REFERENCE ONLY.
2. DIMENSIONS IN BRACKETS [] ARE IN METRIC UNITS.

REVISIONS

*** SEE ERN (****) FOR APPROVAL SIGNATURES & RELEASE DATE.
PROJECT NO: ****

DESCRIPTION: **ZIP BOX 44 CU. IN. VOL. - 3 GANG**

ORIGINAL PROJECT NO / (ERN NO)
/ ()

SHEET NO:
1 OF 1

REV. NO:
B

DRAWING NO:
WSD-AC02081