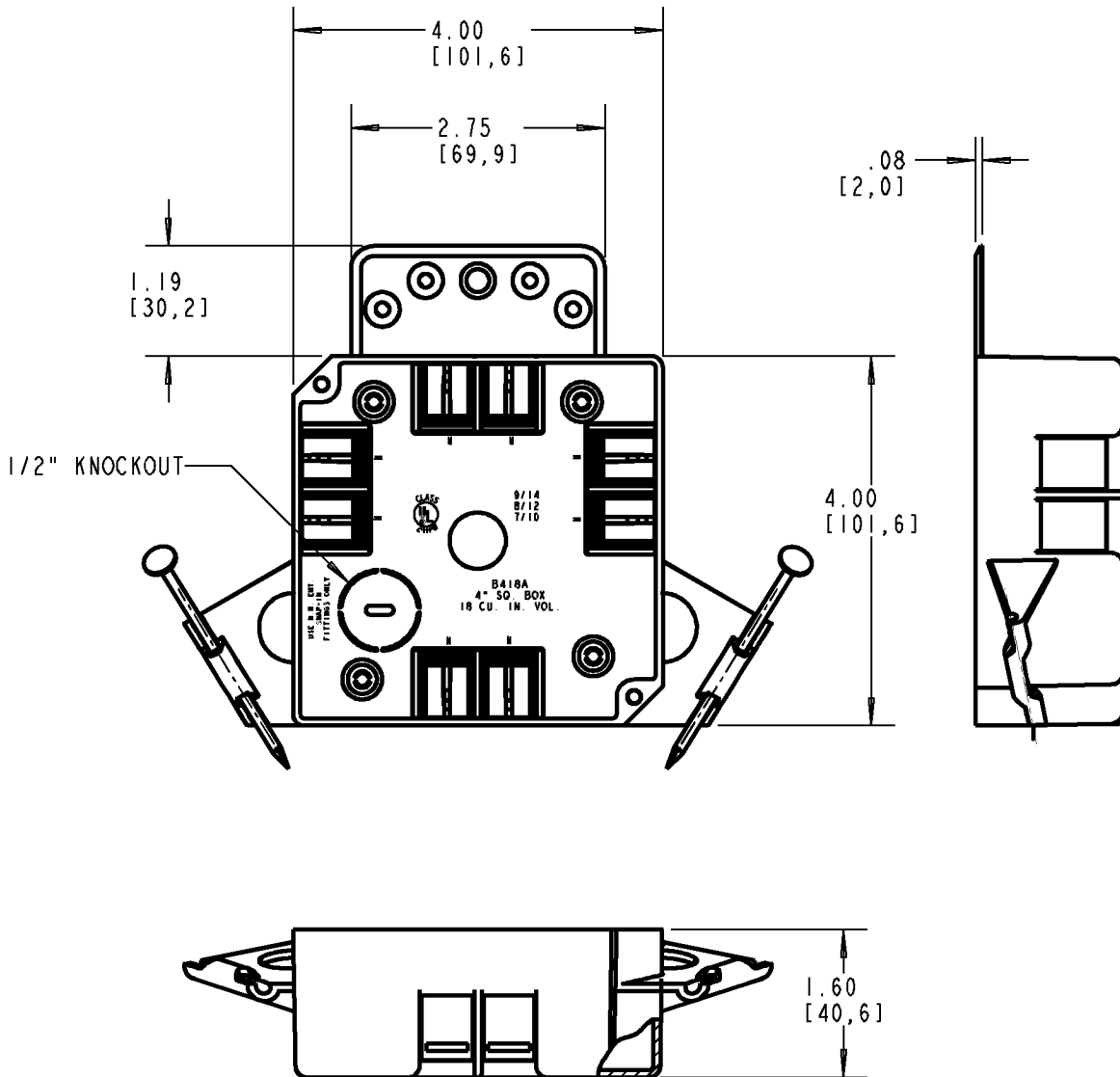


Carlton®



NOTES:
1. SUPPORT NAILS INCLUDED

P/N
B418ARR-UPC
B418AR-UPC
B418A-UPC

GENERAL NOTES

1. ALL DIMENSIONS ARE FOR REFERENCE ONLY.
2. DIMENSIONS IN BRACKETS [] ARE IN METRIC UNITS.

REVISIONS

*** SEE ERN (****) FOR APPROVAL SIGNATURES & RELEASE DATE.
PROJECT NO: ****

Thomas & Betts
www.tnb.com

DESCRIPTION:

4" SQ. OUTLET BOX

ORIGINAL PROJECT NO / (ERN NO)

/ ()

SHEET NO:

1 OF 1

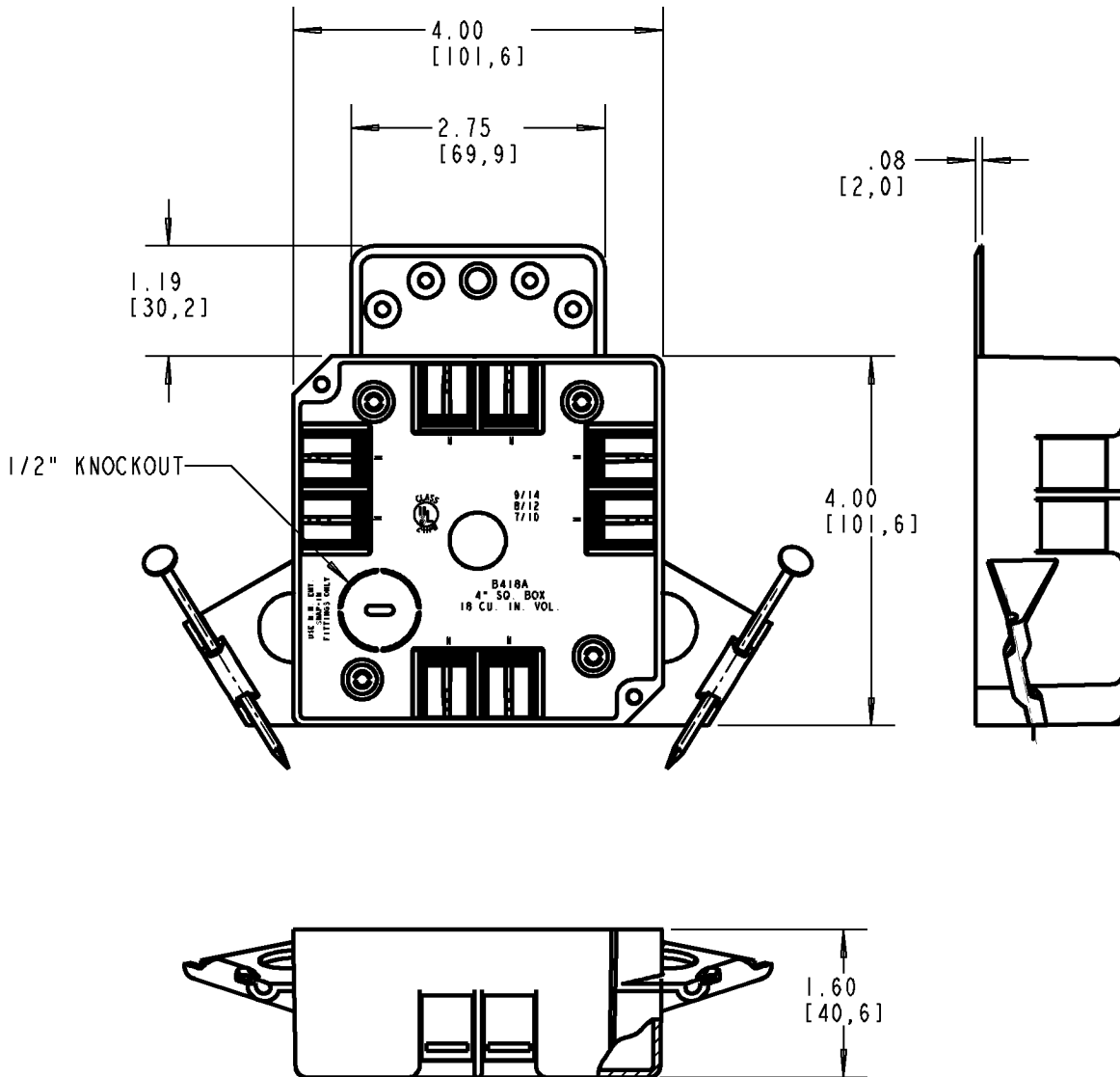
REV. NO:

B

DRAWING NO:

WSD-AC02082

Carlton®



NOTES:
1. SUPPORT NAILS INCLUDED

P/N
B418ARR-UPC
B418AR-UPC
B418A-UPC

GENERAL NOTES

1. ALL DIMENSIONS ARE FOR REFERENCE ONLY.
2. DIMENSIONS IN BRACKETS [] ARE IN METRIC UNITS.

REVISIONS

*** SEE ERN (****) FOR APPROVAL SIGNATURES & RELEASE DATE.
PROJECT NO: ****

Thomas & Betts
www.tnb.com

DESCRIPTION: **4" SQ. OUTLET BOX**

ORIGINAL PROJECT NO / (ERN NO)

/ ()

SHEET NO:

1 OF 1

REV. NO:

B

DRAWING NO:

WSD-AC02082