



SPECIFICATIONS
BFQHSG
 EXHAUST FAN HOUSING

Exhaust Fan Housing

• **Fan Housing**

PC/ABS polymeric, dimensions 8 1/2" x 9 1/8" x 3 7/8".

• **Duct Collar**

Plastic collar for 4" duct connection, comes complete with built in non-metallic back draft damper for quiet operation.

• **Unit Mounting**

Designed to mount in ceilings with at least 6" of clearance. The unit is mounted directly to the joist using a separate lock-in bracket (included with unit). The housing will mount through drywall thickness up to 3/4", with a rough-in opening of 8 1/2" x 9 1/8".

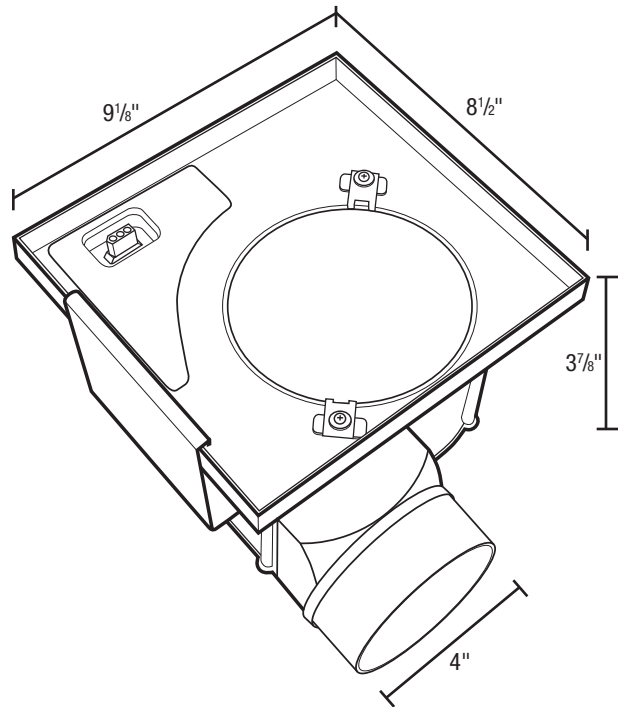
Acceptable for use over tub or shower when installed in a GFCI protected branch circuit.

• **Available Trim Kits**

- BFQ50T:** 50 CFM, ENERGY STAR® certified
- BFQ75T:** 75 CFM, ENERGY STAR® certified
- BFQ80T:** 80 CFM
- BFQ90MBG:** 90 CFM
- BFQ110MBG:** 100 CFM
- BFQ140MBG:** 120 CFM

• **Shipping Info**

Number of Housings in Box: 4
 UPC Code: 083162903105



PROJECT							ARCHITECT			
LOCATION							ENGINEER			
CONTRACTOR							SUBMITTED BY			DATE
FAN NUMBER	MODEL NUMBER	CFM	IN W.C.	RPM	WATTS	AMPS	SONES	QTY	OPTIONAL EQUIPMENT & REMARKS	

U.S.: 820 Lincoln Avenue
 West Chester, Pennsylvania 19380-4466
 Tel: (610) 692-7400 • 877-304-3785
 Fax: (610) 696-8048