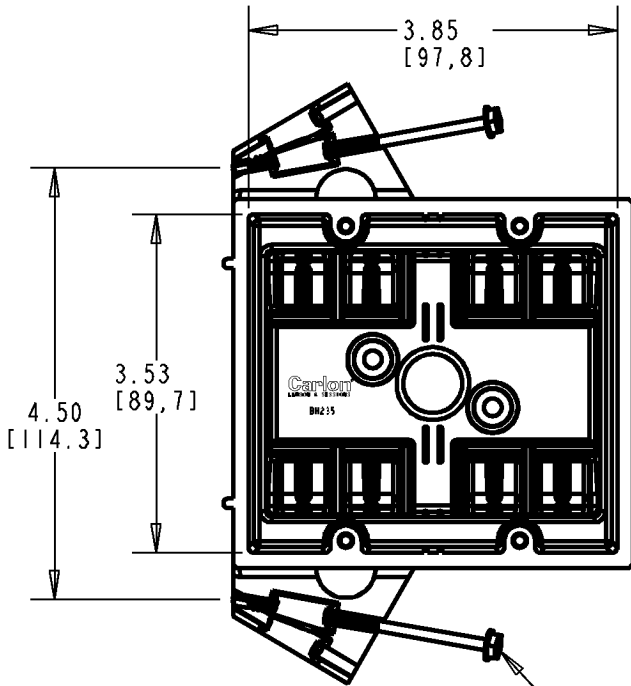
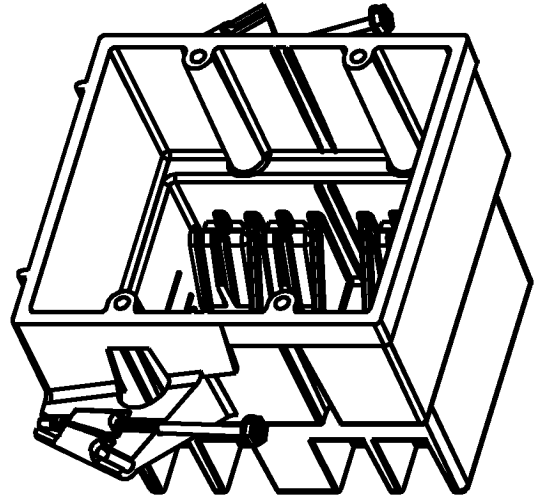
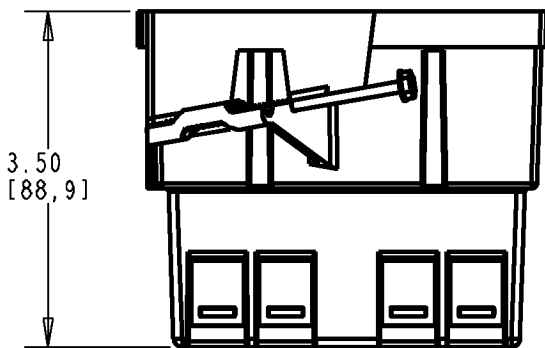


Carlton®



SCREWS P/N G311S



WIRE GA. / CONDUCTORS

17 / 14
15 / 12
14 / 10

P/N BH235S

GENERAL NOTES

1. ALL DIMENSIONS ARE FOR REFERENCE ONLY.
2. DIMENSIONS IN BRACKETS [] ARE IN METRIC UNITS.

REVISIONS

*** SEE ERN (****) FOR APPROVAL SIGNATURES & RELEASE DATE.
PROJECT NO: ****

Thomas & Betts
www.tnb.com

DESCRIPTION: **2 GANG SUPER BLUE BLUE
OUTLET & SWITCH BOX - 35 CU. IN. VOL.**

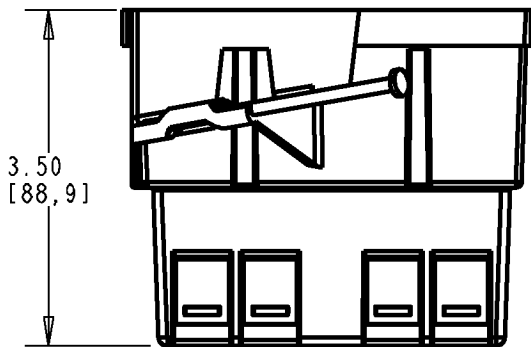
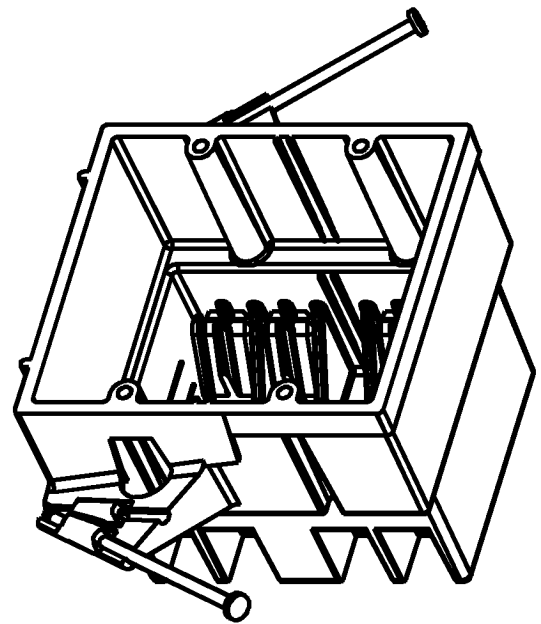
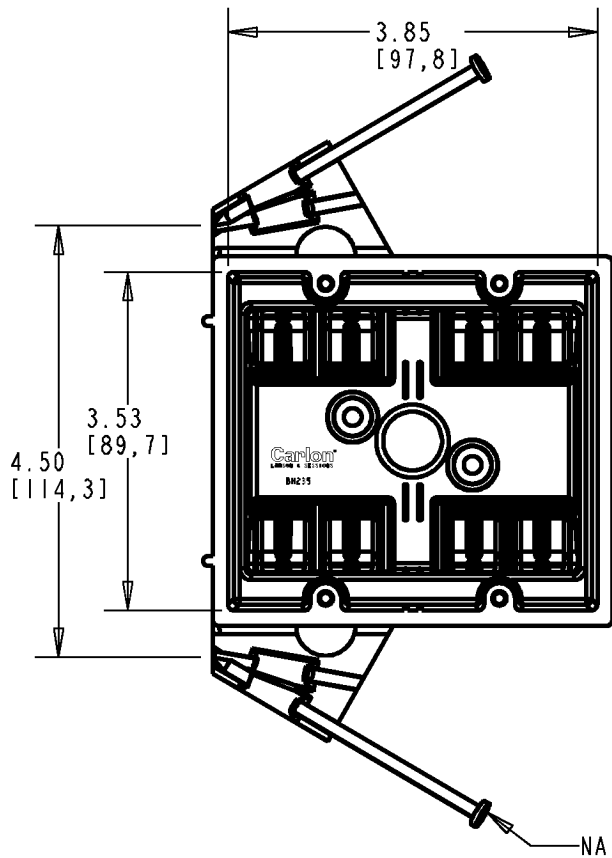
ORIGINAL PROJECT NO / (ERN NO)
/ ()

SHEET NO:
1 OF 2

REV. NO:
A

DRAWING NO:
WSD-AC03643

Carlton®



WIRE GA. / CONDUCTORS

17 / 14
15 / 12
14 / 10

P/N BH235A

Thomas & Betts
www.tnb.com

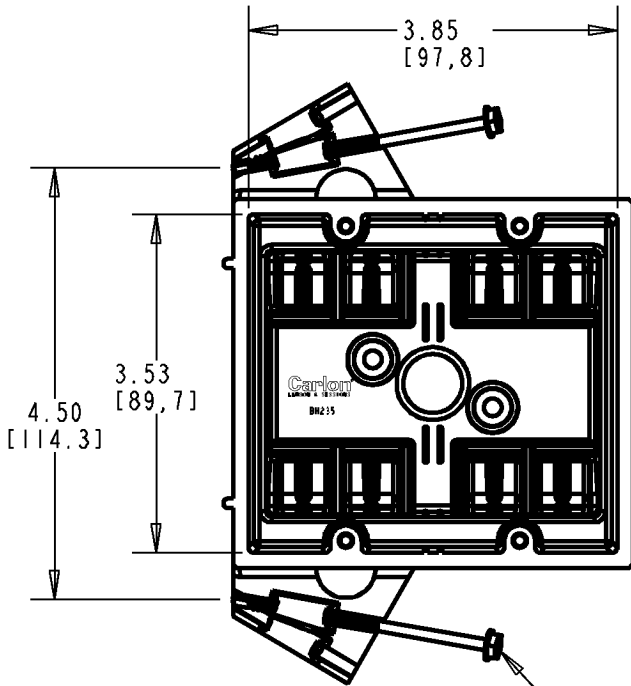
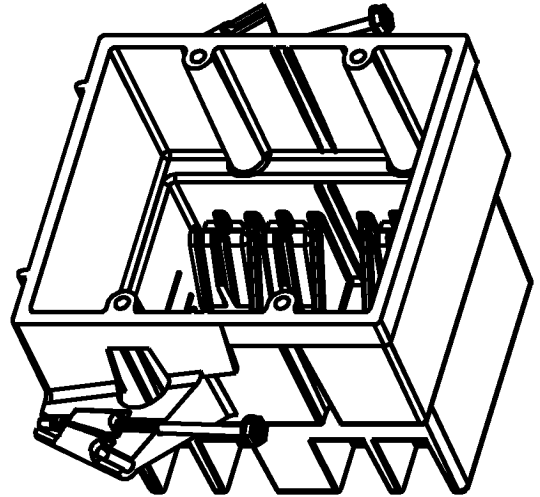
DESCRIPTION: **2 GANG SUPER BLUE
OUTLET & SWITCH BOX - 35 CU. IN. VOL.**

SHEET NO:
2 OF 2

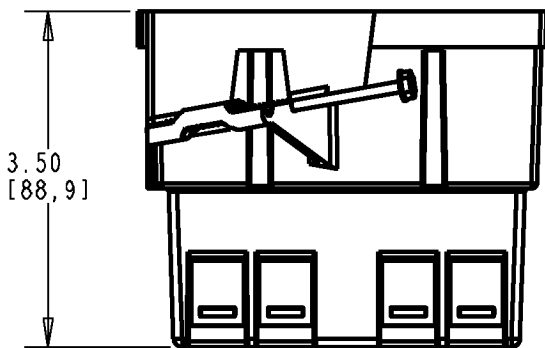
REV. NO:
A

DRAWING NO:
AC03643

Carlton®



SCREWS P/N G311S



WIRE GA. / CONDUCTORS

17 / 14
15 / 12
14 / 10

P/N BH235S

GENERAL NOTES

1. ALL DIMENSIONS ARE FOR REFERENCE ONLY.
2. DIMENSIONS IN BRACKETS [] ARE IN METRIC UNITS.

REVISIONS

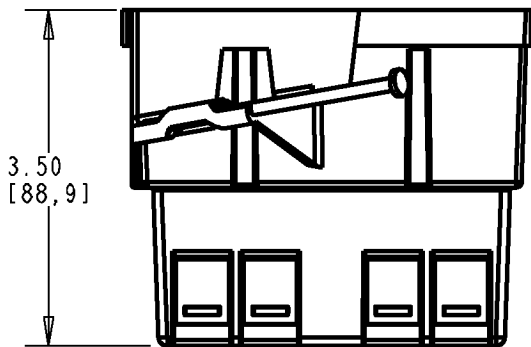
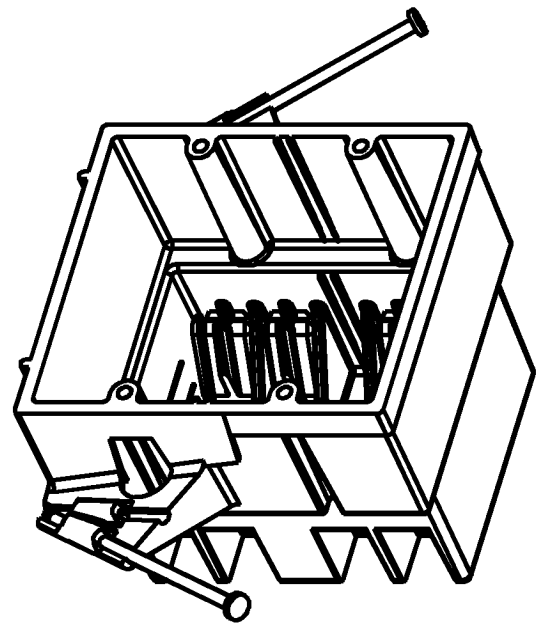
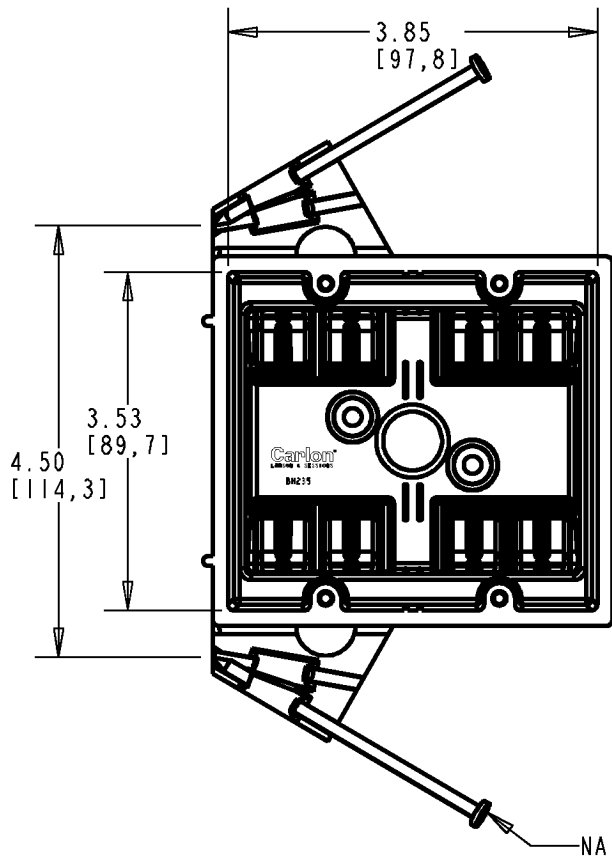
*** SEE ERN (****) FOR APPROVAL SIGNATURES & RELEASE DATE.
PROJECT NO: ****

Thomas & Betts
www.tnb.com

DESCRIPTION: **2 GANG SUPER BLUE BLUE
OUTLET & SWITCH BOX - 35 CU. IN. VOL.**

ORIGINAL PROJECT NO / (ERN NO) / ()	SHEET NO: 1 OF 2	REV. NO: A	DRAWING NO: WSD-AC03643
---	---------------------	---------------	-----------------------------------

Carlton®



WIRE GA. / CONDUCTORS

17 / 14
15 / 12
14 / 10

P/N BH235A

Thomas & Betts
www.tnb.com

DESCRIPTION: **2 GANG SUPER BLUE
OUTLET & SWITCH BOX - 35 CU. IN. VOL.**

SHEET NO:
2 OF 2

REV. NO:
A

DRAWING NO:
AC03643