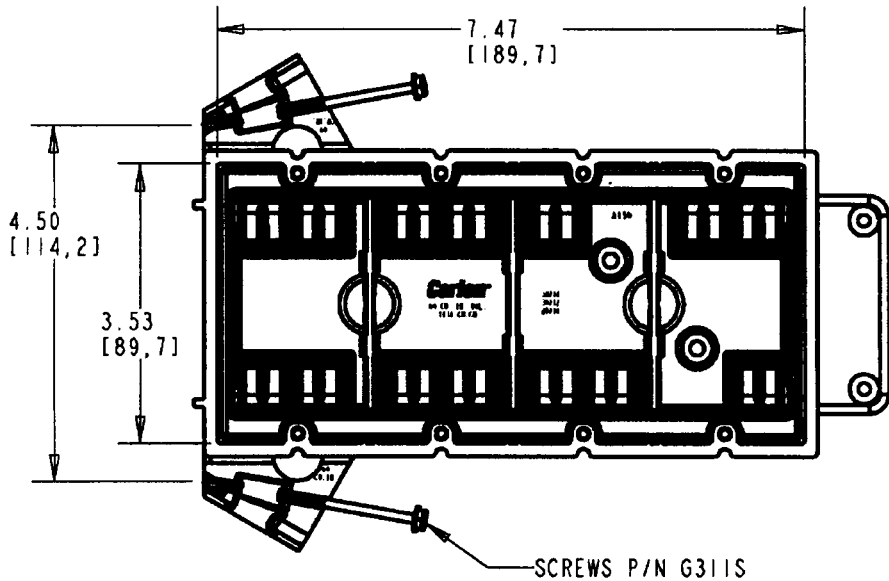
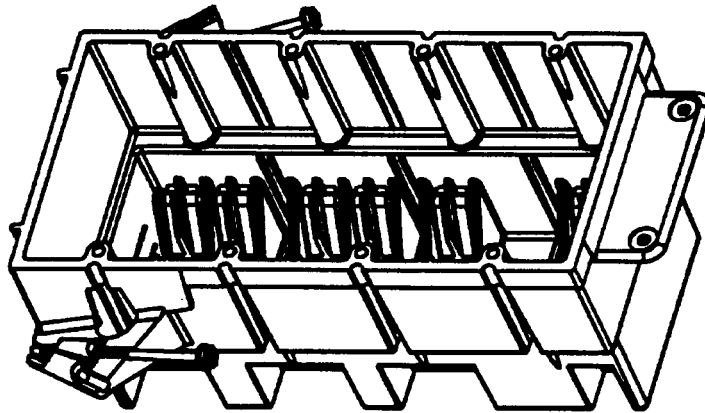
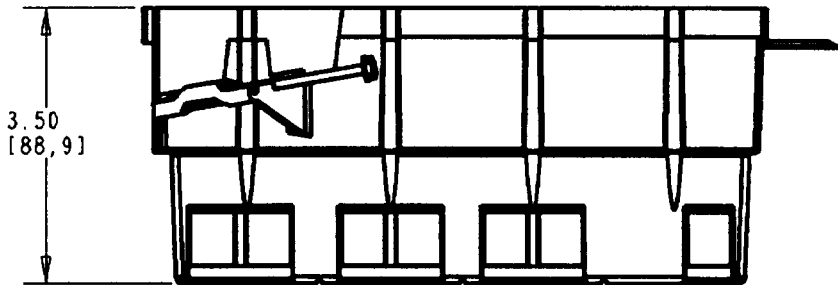


# Carlton



BOX VOLUME = 69.0 CU. IN.  
(1131 CU. CM.)

WIRE GA. / CONDUCTORS  
34 / 14  
30 / 12  
27 / 10



P/N BH464S

**GENERAL NOTES**

1. ALL DIMENSIONS ARE FOR REFERENCE ONLY.
2. DIMENSIONS IN BRACKETS [ ] ARE IN METRIC UNITS.

**REVISIONS**

\*\* SEE ERN ( \*\*\*\* ) FOR APPROVAL SIGNATURES & RELEASE DATE.  
PROJECT NO: \*\*\*\*

**Thomas & Betts**  
www.tnb.com

DESCRIPTION:

**4 GANG SUPER BLUE  
OUTLET & SWITCH BOX**

ORIGINAL PROJECT NO / ( ERN NO )

/ ( )

SHEET NO:

1 OF 2

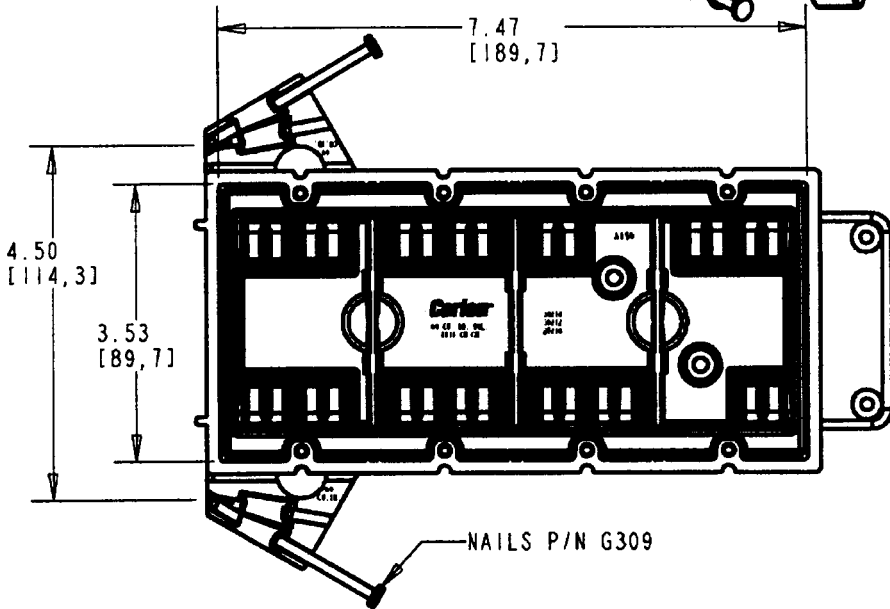
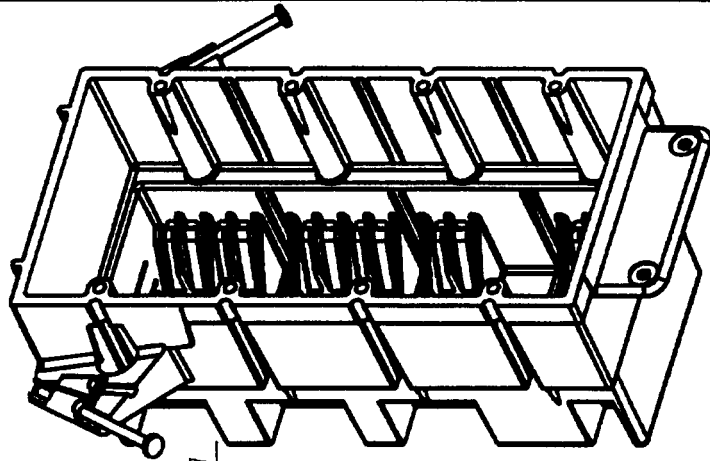
REV. NO:

C

DRAWING NO:

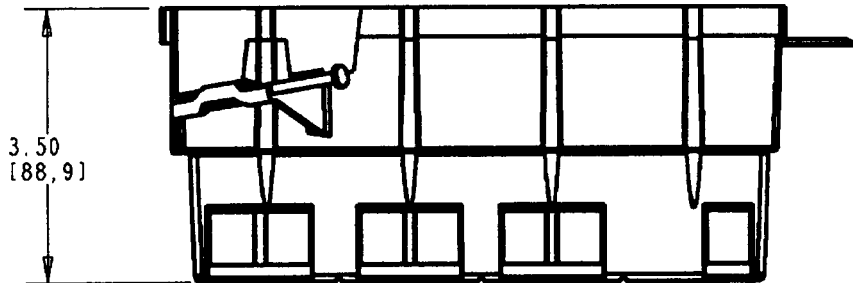
**WSD-AC03646**

# Carlon



BOX VOLUME = 69.0 CU. IN.  
(1131 CU. CM.)

WIRE GA. / CONDUCTORS  
34 / 14  
30 / 12  
27 / 10



P/N BH464A

**Thomas & Betts**  
www.tnb.com

DESCRIPTION:

**4 GANG SUPER BLUE  
OUTLET & SWITCH BOX**

SHEET NO:

2 OF 2

REV. NO:

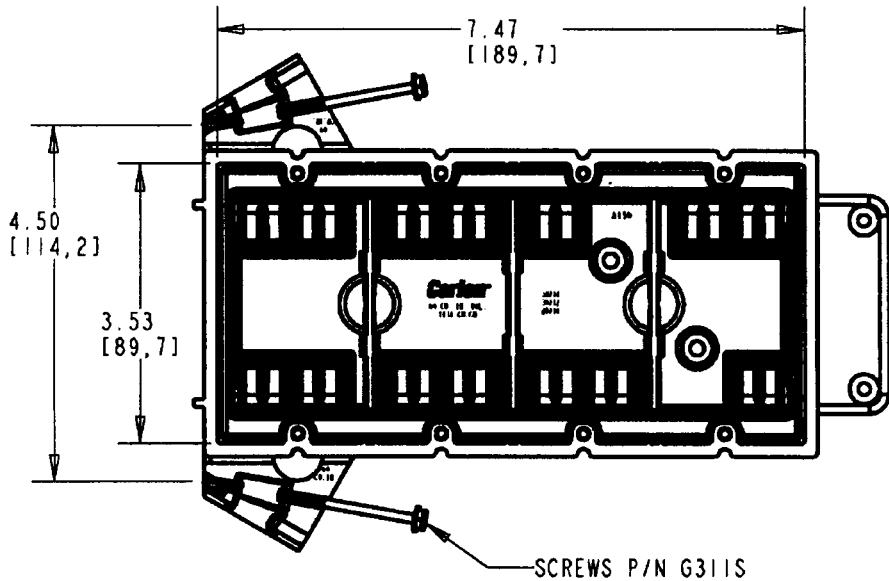
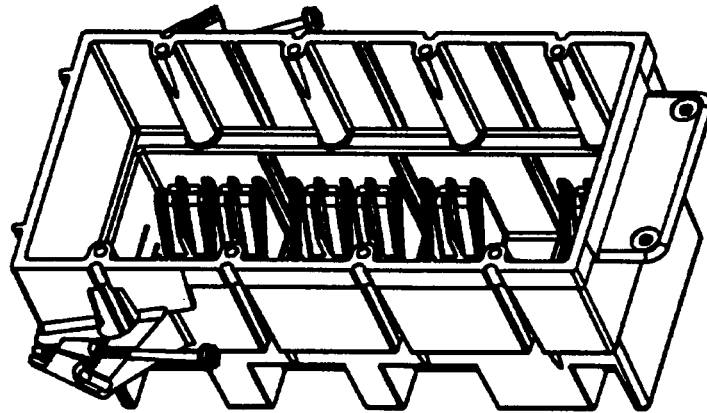
C

DRAWING NO:

WSD-AC03646

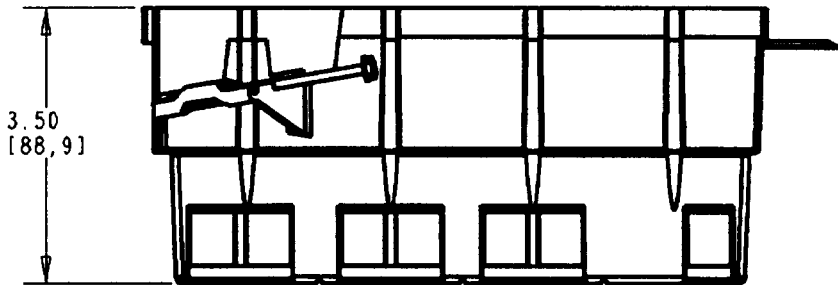
THIS DRAWING IS INTENDED FOR DESCRIPTIVE PURPOSES ONLY. AND THE RIGHT IS RESERVED TO DEVIATE FROM ANY OF THE DETAILS SHOWN HEREON.  
©2008 Thomas & Betts - Proprietary, All Rights Reserved

# Carlton



BOX VOLUME = 69.0 CU. IN.  
(1131 CU. CM.)

WIRE GA. / CONDUCTORS  
34 / 14  
30 / 12  
27 / 10



P/N BH464S

**GENERAL NOTES**

1. ALL DIMENSIONS ARE FOR REFERENCE ONLY.
2. DIMENSIONS IN BRACKETS [ ] ARE IN METRIC UNITS.

**REVISIONS**

\*\* SEE ERN ( \*\*\*\* ) FOR APPROVAL SIGNATURES & RELEASE DATE.  
PROJECT NO: \*\*\*\*

**Thomas & Betts**  
www.tnb.com

DESCRIPTION:

**4 GANG SUPER BLUE  
OUTLET & SWITCH BOX**

ORIGINAL PROJECT NO / ( ERN NO )

/ ( )

SHEET NO:

1 OF 2

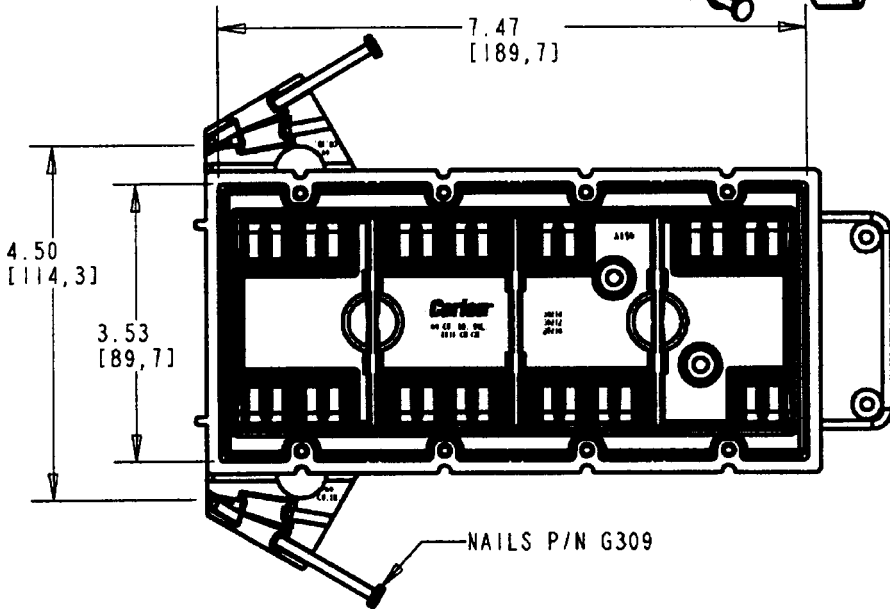
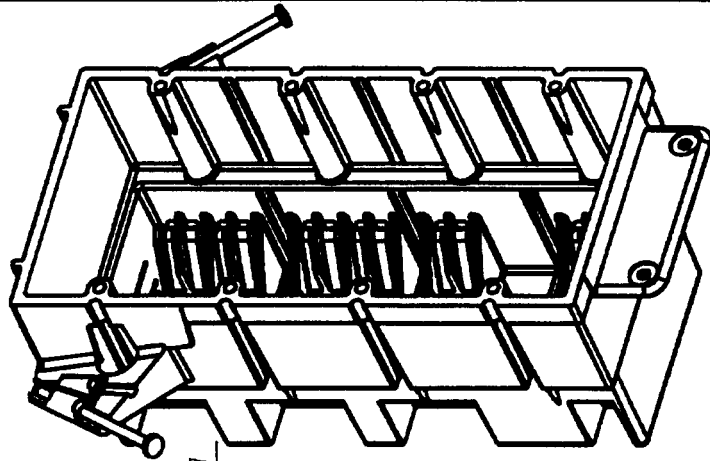
REV. NO:

C

DRAWING NO:

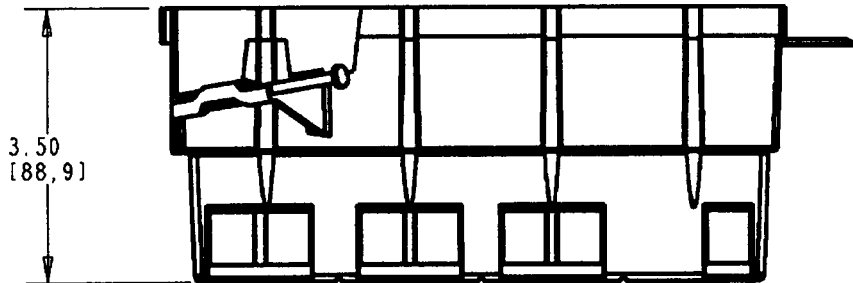
**WSD-AC03646**

# Carlon



BOX VOLUME = 69.0 CU. IN.  
(1131 CU. CM.)

WIRE GA. / CONDUCTORS  
34 / 14  
30 / 12  
27 / 10



P/N BH464A

**Thomas & Betts**  
www.tnb.com

DESCRIPTION:

**4 GANG SUPER BLUE  
OUTLET & SWITCH BOX**

SHEET NO:

2 OF 2

REV. NO:

C

DRAWING NO:

WSD-AC03646

THIS DRAWING IS INTENDED FOR DESCRIPTIVE PURPOSES ONLY. AND THE RIGHT IS RESERVED TO DEVIATE FROM ANY OF THE DETAILS SHOWN HEREON.  
©2008 Thomas & Betts - Proprietary, All Rights Reserved