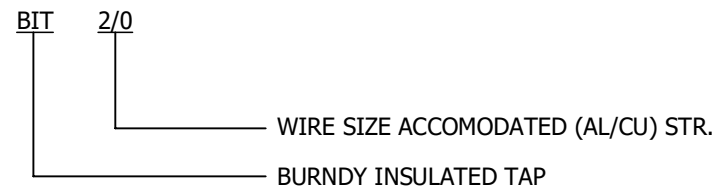
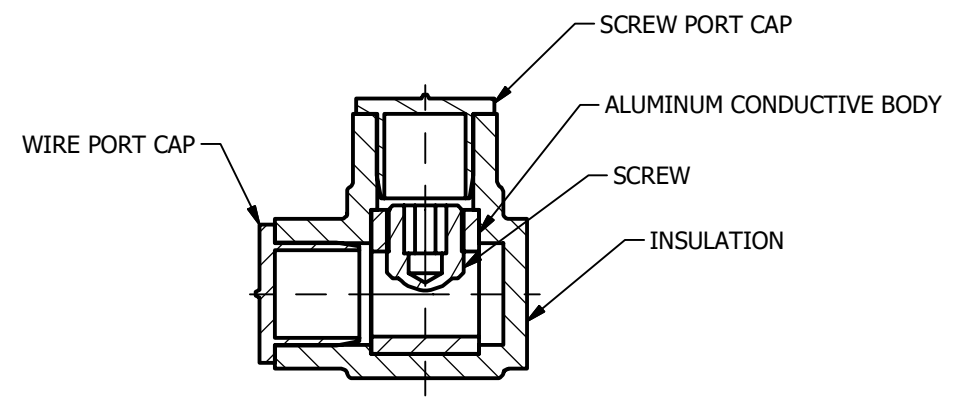
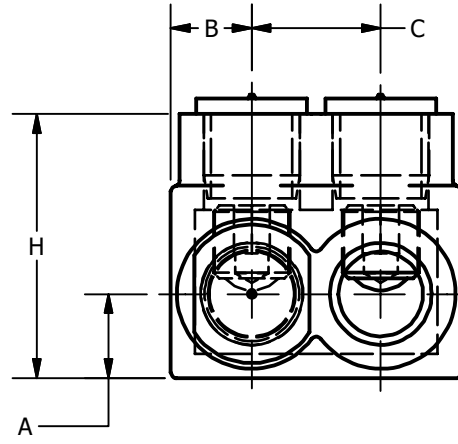
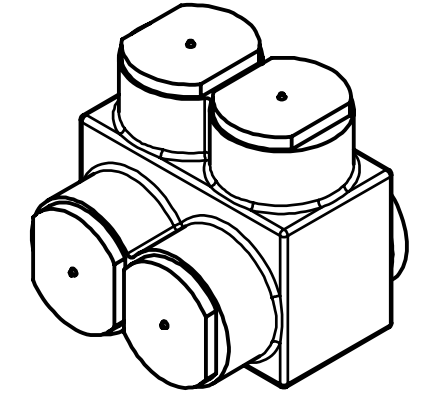
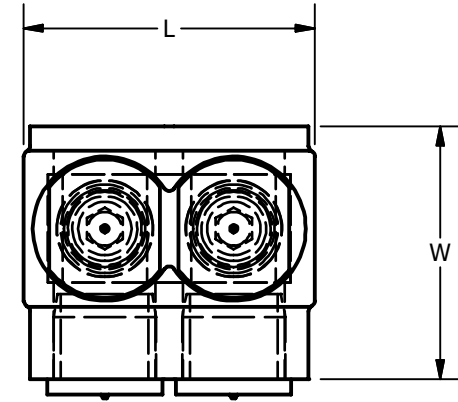


CATALOG NUMBER	WIRE RANGE	L	W	H	A	B	C	HEX KEY	STRIP LENGTH +/-1/32	TORQUE, IN-LBS	
										#14-#10	45
BIT4	#14-#4 CLASS B, C	1.08	1.13	1.25	.44	.32	.44	1/8	9/16	#8-#4	50
BIT2/0	#14-2/0 CLASS B, C	1.52	1.31	1.38	.44	.42	.67	3/16	5/8		120
BIT250	#10-250 CLASS B, C	2.03	2.13	2.13	.58	.55	.94	5/16	15/16		275
BIT350	#10-350 CLASS B, C	2.22	2.38	2.50	.69	.66	.91	5/16	1 1/16		275
BIT600	#4-600 CLASS B, C	2.75	2.38	2.75	.81	.72	1.28	3/8	1 1/16		375
BIT750	#2-750 CLASS B, C	2.88	2.75	3.00	.90	.75	1.38	3/8	1 7/16		375

7

REV	DATE	DESCRIPTION	ECO	BY	C'H.K.
D	01/19/2023	UPDATED AS PER MARKUP	230113026991	YR	RA



NOTES:

- DIMENSIONS IN BRACKETS [] ARE IN MILLIMETERS ROUNDED OFF TO THE NEAREST MILLIMETER, UNLESS OTHERWISE SPECIFIED AND ARE FOR REFERENCE ONLY.
- THIS DRAWING TO BE INTERPRETED PER ASME Y14.5M-2009.
- MATERIAL: BODY - TIN PLATED ALUMINUM
SCREW - CLEAR COATED ALUMINUM
INSULATION - PLASTISOL
CAPS - POLYETHOLENE
- OPERATING TEMPERATURE - -40°C TO 135°C.
- VOLTAGE RATING - 600 V.
- AMPERAGE RATING - CONNECTORS ARE RATED AL9CU AND ARE INTENDED FOR USE AT AMPACITIES NOT GREATER THAN THOSE FOR A 90°C-RATED CONDUCTOR.

- LISTED TO 486A-B, FILE E9498
- CERTIFIED TO C22.2, NO. 65, FILE 042860_C_000

7 NOT UL LISTED OR CSA CERTIFIED.

FEATURES	BENEFITS
PLASTISOL COVERED AL 6060-T6 BODY	SAVES TIME, LOWERS INSTALLATION COST, ELIMINATES TAPING
CLEAR PLASTISOL	ALLOWS VISUAL CONFIRMATION THAT CONDUCTOR IS PROPERLY INSERTED
OXIDE-INHIBITOR IS PREFILLED	INHIBITS MOISTURE AND CONTAMINANTS FROM ENTERING THE CONTACT AREA
RANGE-TAKING IN BOTH CODE AND FLEX	REDUCES THE NUMBER OF CONNECTORS CARRIED IN INVENTORY
WIRE AND SCREW PORT COVERS	PROTECTS AGAINST CONTAMINATION AND ACCIDENTAL CONTACT OF ENERGIZED PARTS.

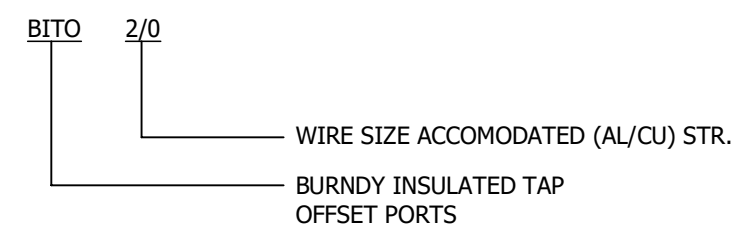
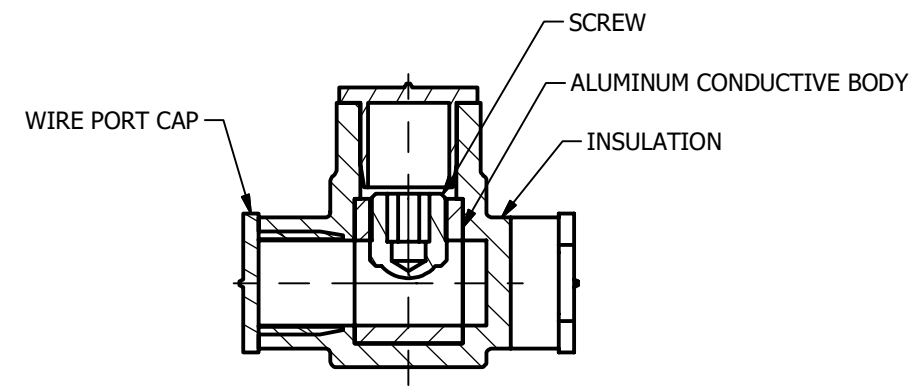
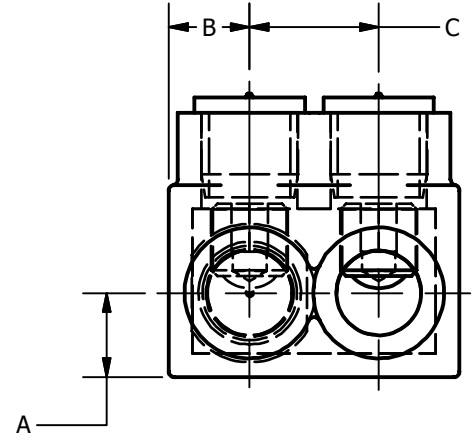
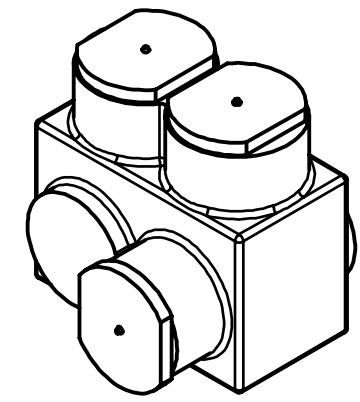
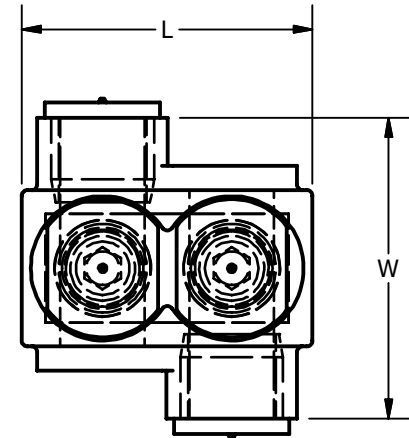
TO ORDER BURNDY® PRODUCTS CALL
 UNITED STATES
 1-800-346-4175 (LONDONDERRY, NH)
 CANADA:
 1-800-387-6487
 FOR PRODUCT INFO: <http://www.burndy.com>

FULLY INSULATED DISTRIBUTION BLOCKS-UNITAP™
 ITEM NO: SEE TABLE
 CAT. NO: SEE TABLE
 DRAWN BY: T.REYNOLDS 08/14/2014
 CHECKER: T.REYNOLDS 08/27/2014
 DSN APRV: T.REYNOLDS 12/20/2015
 MFG APRV: --
 QA APRV: C. KOWALCZYK 12/20/2015
 MKT APRV: M.BAILLY 12/20/2015
 PROD FAM: --

PROJECT #: LM15085	SIZE	DRAWING NO	REV
DOCUMENT TYPE: SALES	B	SC210991	D
REL LEVEL: Released		SHEET 1 OF 15	

CATALOG NUMBER	WIRE RANGE	L	W	H	A	B	C	HEX KEY	STRIP LENGTH +/-1/32	TORQUE, IN-LBS	
										#14-#10	#8-#4
BITO4	#14-#4 CLASS B, C	1.08	1.50	1.25	.44	.32	.44	1/8	9/16	45	50
BITO2/0	#14-2/0 CLASS B, C	1.52	1.56	1.38	.44	.42	.67	3/16	5/8	120	
BITO250	#10-250 CLASS B, C	2.03	2.63	2.13	.58	.55	.94	5/16	15/16	275	
BITO350	#10-350 CLASS B, C	2.22	2.75	2.50	.69	.66	.91	5/16	1 1/16	275	
BITO600	#4-600 CLASS B, C	2.75	2.75	2.75	.81	.72	1.28	3/8	1 1/16	375	
BITO750	#2-750 CLASS B, C	2.88	3.13	3.00	.90	.75	1.38	3/8	1 7/16	375	

REV	DATE	DESCRIPTION	ECO	BY	C'H'K.
D	01/19/2023	UPDATED AS PER MARKUP	230113026991	YR	RA



NOTES:

- DIMENSIONS IN BRACKETS [] ARE IN MILLIMETERS ROUNDED OFF TO THE NEAREST MILLIMETER, UNLESS OTHERWISE SPECIFIED AND ARE FOR REFERENCE ONLY.
- THIS DRAWING TO BE INTERPRETED PER ASME Y14.5M-2009.
- MATERIAL: BODY - TIN PLATED ALUMINUM
SCREW - CLEAR COATED ALUMINUM
INSULATION - PLASTISOL
CAPS - POLYETHOLENE
- OPERATING TEMPERATURE - -40°C TO 135°C.
- VOLTAGE RATING - 600 V.
- AMPERAGE RATING - CONNECTORS ARE RATED AL9CU AND ARE INTENDED FOR USE AT AMPACITIES NOT GREATER THAN THOSE FOR A 90°C-RATED CONDUCTOR.

- LISTED TO 486A-B, FILE E9498
- CERTIFIED TO C22.2, NO. 65, FILE 042860_C_000

7 NOT UL LISTED OR CSA CERTIFIED

FEATURES	BENEFITS
PLASTISOL COVERED AL 6060-T6 BODY	SAVES TIME, LOWERS INSTALLATION COST, ELIMINATES TAPING
CLEAR PLASTISOL	ALLOWS VISUAL CONFIRMATION THAT CONDUCTOR IS PROPERLY INSERTED
OXIDE-INHIBITOR IS PREFILLED	INHIBITS MOISTURE AND CONTAMINANTS FROM ENTERING THE CONTACT AREA
RANGE-TAKING IN BOTH CODE AND FLEX	REDUCES THE NUMBER OF CONNECTORS CARRIED IN INVENTORY
WIRE AND SCREW PORT COVERS	PROTECTS AGAINST CONTAMINATION AND ACCIDENTAL CONTACT OF ENERGIZED PARTS.

TO ORDER BURNDY® PRODUCTS CALL
 UNITED STATES
 1-800-346-4175 (LONDONDERRY, NH)
 CANADA:
 1-800-387-6487
 FOR PRODUCT INFO: <http://www.burndy.com>

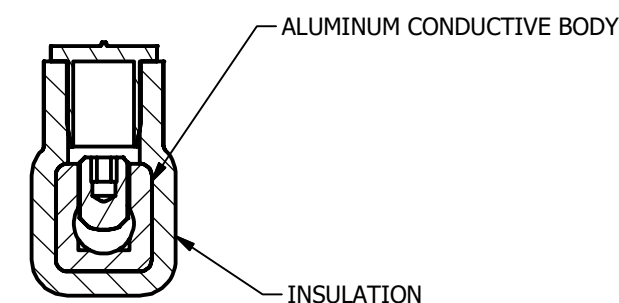
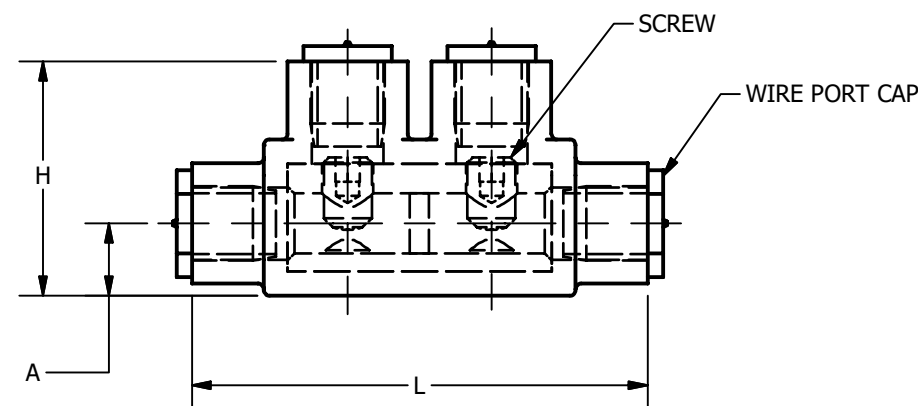
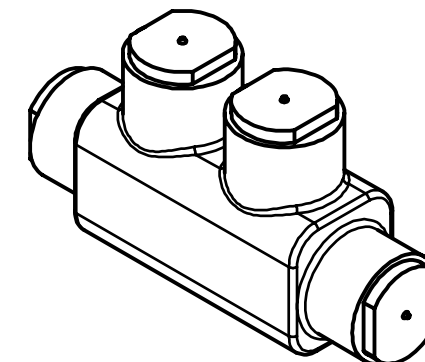
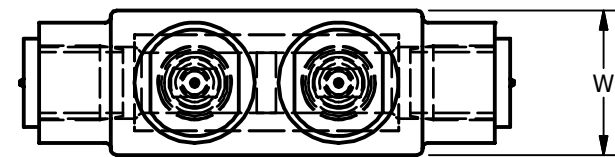
FULLY INSULATED DISTRIBUTION BLOCKS-UNITAP™
 ITEM NO: SEE TABLE
 CAT. NO: SEE TABLE
 DRAWN BY: T.REYNOLDS 08/14/2014
 CHECKER: T.REYNOLDS 08/27/2014
 DSN APRVL: T.REYNOLDS 12/20/2015
 MFG APRVL: --
 QA APRVL: C.KOWALCZYK 12/20/2015
 MKT APRVL: M.BAILLY 12/20/2015
 PROD FAM: --

PROJECT #: LM15085	SIZE	DRAWING NO	REV
DOCUMENT TYPE: SALES	B	SC210991	D
REL LEVEL: Released		SHEET 2 OF 15	

CATALOG NUMBER	WIRE RANGE	L	W	H	A	HEX KEY	STRIP LENGTH +/-1/32	TORQUE, IN-LBS
BISR2	#14-#2 CLASS B, C	2.38	.75	1.22	.38	5/32	11/16	100
BISR1/0	#14-1/0 CLASS B, C	2.91	.91	1.38	.45	3/16	15/16	120
BISR250	#10-250 CLASS B, C	4.00	1.19	2.09	.59	5/16	1 1/8	275
BISR350	#10-350 CLASS B, C	4.63	1.34	2.22	.67	5/16	1 3/8	275
BISR500	#6-500 CLASS B, C	5.25	1.63	2.63	.81	3/8	1 5/8	500


REV	DATE	DESCRIPTION	ECO	BY	C'H'K.
D	01/19/2023	UPDATED AS PER MARKUP	230113026991	YR	RA


FEATURES	BENEFITS
PLASTISOL COVERED AL 6060-T6 BODY	SAVES TIME, LOWERS INSTALLATION COST, ELIMINATES TAPING
CLEAR PLASTISOL	ALLOWS VISUAL CONFIRMATION THAT CONDUCTOR IS PROPERLY INSERTED
OXIDE-INHIBITOR IS PREFILLED	INHIBITS MOISTURE AND CONTAMINANTS FROM ENTERING THE CONTACT AREA
RANGE-TAKING IN BOTH CODE AND FLEX	REDUCES THE NUMBER OF CONNECTORS CARRIED IN INVENTORY
WIRE AND SCREW PORT COVERS	PROTECTS AGAINST CONTAMINATION AND ACCIDENTAL CONTACT OF ENERGIZED PARTS.

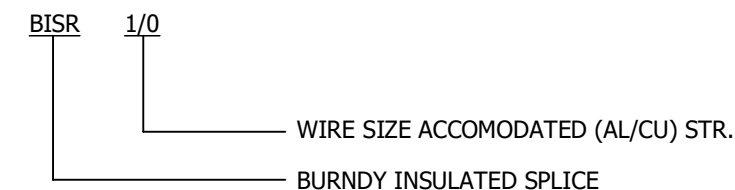


NOTES:


- DIMENSIONS IN BRACKETS [] ARE IN MILLIMETERS ROUNDED OFF TO THE NEAREST MILLIMETER, UNLESS OTHERWISE SPECIFIED AND ARE FOR REFERENCE ONLY.
- THIS DRAWING TO BE INTERPRETED PER ASME Y14.5M-2009.
- MATERIAL: BODY - TIN PLATED ALUMINUM
SCREW - CLEAR COATED ALUMINUM
INSULATION - PLASTISOL
CAPS - POLYETHYLENE
- OPERATING TEMPERATURE - -40°C TO 135°C.
- VOLTAGE RATING - 600 V.
- AMPERAGE RATING - CONNECTORS ARE RATED AL9CU AND ARE INTENDED FOR USE AT AMPACITIES NOT GREATER THAN THOSE FOR A 90°C-RATED CONDUCTOR.

 LISTED TO 486A-B, FILE E9498

 CERTIFIED TO C22.2, NO. 65, FILE 042860_C_000



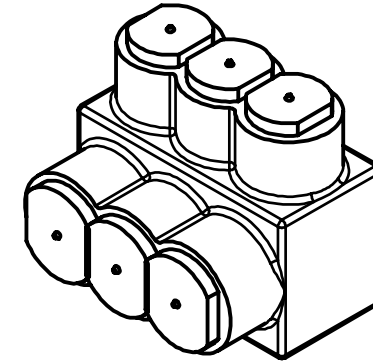
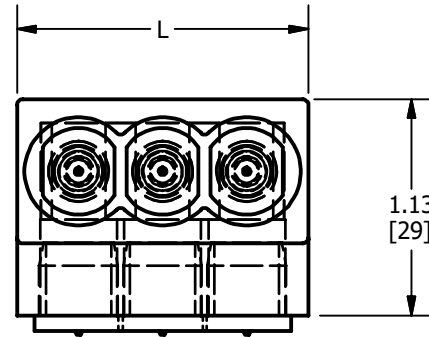
TO ORDER BURNDY® PRODUCTS CALL
 UNITED STATES
 1-800-346-4175 (LONDONDERRY, NH)
 CANADA:
 1-800-387-6487
 FOR PRODUCT INFO: <http://www.burndy.com>

FULLY INSULATED DISTRIBUTION BLOCKS-UNITAP™	
ITEM NO: SEE TABLE	
CAT. NO: SEE TABLE	
DRAWN BY: T.REYNOLDS	08/14/2014
CHECKER: T.REYNOLDS	08/27/2014
DSN APRVL: T.REYNOLDS	12/20/2015
MFG APRVL: --	
QA APRVL: C.KOWALCZYK	12/20/2015
MKT APRVL: M.BAILLY	12/20/2015
PROD FAM: --	
PROJECT #: LM15085	SIZE
DOCUMENT TYPE: SALES	B
REL LEVEL: Released	
	
DRAWING NO	REV
SC210991	D
SHEET 3 OF 15	

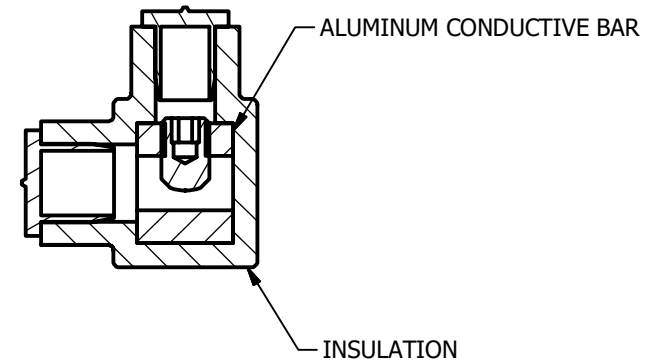
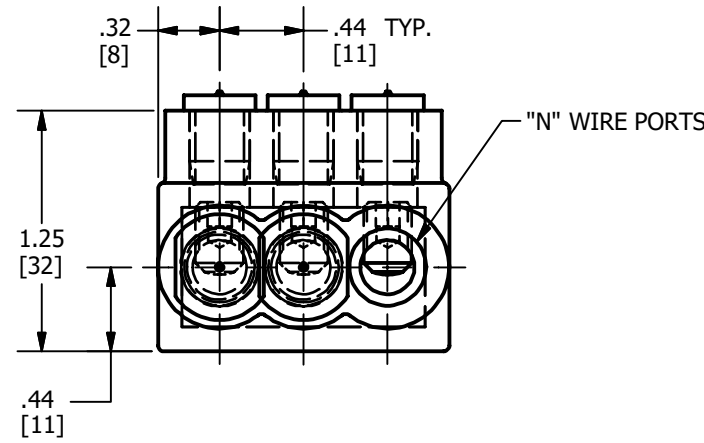
CATALOG NUMBER	WIRE RANGE	L	N	HEX KEY	STRIP LENGTH +/-1/32
BIBS43	CLASS B, C	1.268	3	1/8	9/16
BIBS44		1.706	4		
BIBS45		2.144	5		
BIBS46		2.582	6		
BIBS48		3.458	8		

WIRE RANGE	TORQUE, IN-LBS
#14-#10	45
#8-#4	50

REV	DATE	DESCRIPTION	ECO	BY	C'H'K.
D	01/19/2023	UPDATED AS PER MARKUP	230113026991	YR	RA



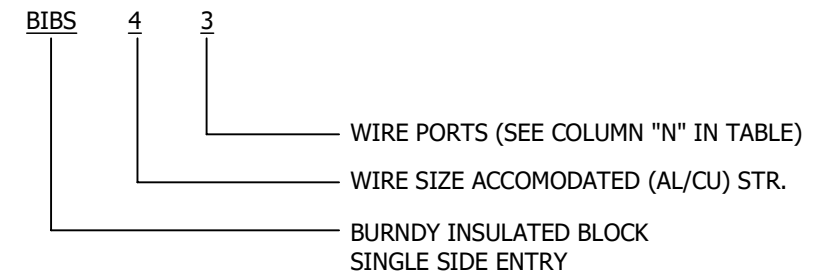
FEATURES	BENEFITS
PLASTISOL COVERED AL 6060-T6 BODY	SAVES TIME, LOWERS INSTALLATION COST, ELIMINATES TAPING
CLEAR PLASTISOL	ALLOWS VISUAL CONFIRMATION THAT CONDUCTOR IS PROPERLY INSERTED
OXIDE-INHIBITOR IS PREFILLED	INHIBITS MOISTURE AND CONTAMINANTS FROM ENTERING THE CONTACT AREA
RANGE-TAKING IN BOTH CODE AND FLEX	REDUCES THE NUMBER OF CONNECTORS CARRIED IN INVENTORY
WIRE AND SCREW PORT COVERS	PROTECTS AGAINST CONTAMINATION AND ACCIDENTAL CONTACT OF ENERGIZED PARTS.



NOTES:

- DIMENSIONS IN BRACKETS [] ARE IN MILLIMETERS ROUNDED OFF TO THE NEAREST MILLIMETER, UNLESS OTHERWISE SPECIFIED AND ARE FOR REFERENCE ONLY.
- THIS DRAWING TO BE INTERPRETED PER ASME Y14.5M-2009.
- MATERIAL: BODY - TIN PLATED ALUMINUM
SCREW - CLEAR COATED ALUMINUM
INSULATION - PLASTISOL
CAPS - POLYETHOLENE
- OPERATING TEMPERATURE - -40°C TO 135°C.
- VOLTAGE RATING - 600 V.
- AMPERAGE RATING - CONNECTORS ARE RATED AL9CU AND ARE INTENDED FOR USE AT AMPACITIES NOT GREATER THAN THOSE FOR A 90°C-RATED CONDUCTOR.

- LISTED TO 486A-B, FILE E9498
- CERTIFIED TO C22.2, NO. 65, FILE 042860_C_000



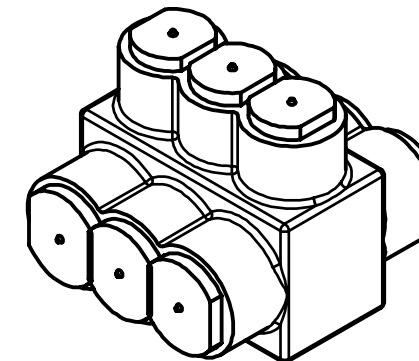
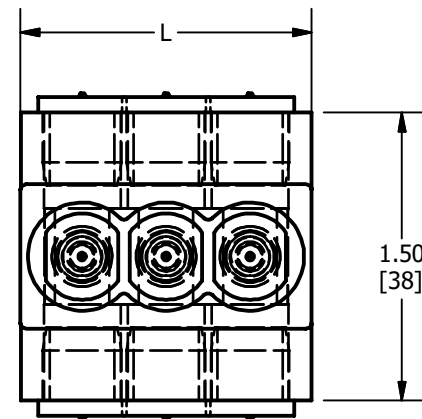
TO ORDER BURNDY® PRODUCTS CALL		FULLY INSULATED DISTRIBUTION BLOCKS-UNITAP™	
UNITED STATES 1-800-346-4175 (LONDONDERRY, NH)		ITEM NO: SEE TABLE	
CANADA: 1-800-387-6487		CAT. NO: SEE TABLE	
FOR PRODUCT INFO: http://www.burndy.com		DRAWN BY: T.REYNOLDS 08/14/2014	
		CHECKER: T.REYNOLDS 08/27/2014	
		DSN APRVL: T.REYNOLDS 12/20/2015	
		MFG APRVL: --	
		QA APRVL: C.KOWALCZYK 12/20/2015	
		MKT APRVL: M.BAILLY 12/20/2015	
		PROD FAM: --	
		DRAWING NO	
		REV	
		PROJECT #: LM15085	
		SIZE	
		SC210991	
		DOCUMENT TYPE: SALES	
		B	
		REL LEVEL: Released	
		SHEET 4 OF 15	



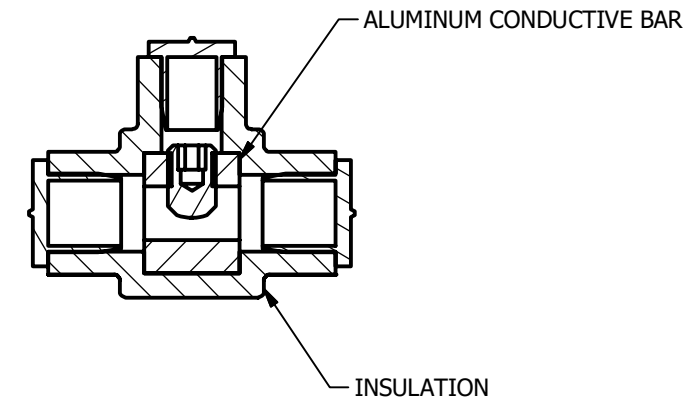
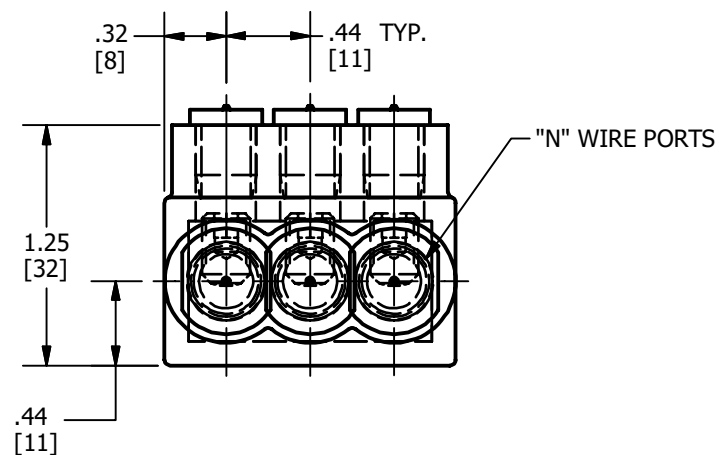
CATALOG NUMBER	WIRE RANGE	L	N	HEX KEY	STRIP LENGTH +/-1/32
BIBD42	#14-#4 CLASS B, C	0.83	2	1/8	9/16
BIBD43		1.268	3		
BIBD44		1.706	4		
BIBD45		2.144	5		
BIBD46		2.582	6		
BIBD48		3.458	8		

WIRE RANGE	TORQUE, IN-LBS
#14-#10	45
#8-#4	50

REV	DATE	DESCRIPTION	ECO	BY	C'H'K.
D	01/19/2023	UPDATED AS PER MARKUP	230113026991	YR	RA



FEATURES	BENEFITS
PLASTISOL COVERED AL 6060-T6 BODY	SAVES TIME, LOWERS INSTALLATION COST, ELIMINATES TAPING
CLEAR PLASTISOL	ALLOWS VISUAL CONFIRMATION THAT CONDUCTOR IS PROPERLY INSERTED
OXIDE-INHIBITOR IS PREFILLED	INHIBITS MOISTURE AND CONTAMINANTS FROM ENTERING THE CONTACT AREA
RANGE-TAKING IN BOTH CODE AND FLEX	REDUCES THE NUMBER OF CONNECTORS CARRIED IN INVENTORY
WIRE AND SCREW PORT COVERS	PROTECTS AGAINST CONTAMINATION AND ACCIDENTAL CONTACT OF ENERGIZED PARTS.

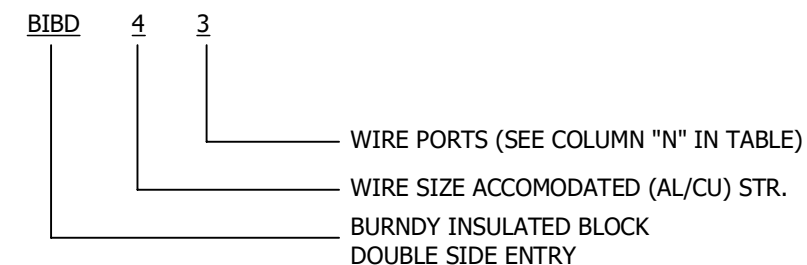


NOTES:

- DIMENSIONS IN BRACKETS [] ARE IN MILLIMETERS ROUNDED OFF TO THE NEAREST MILLIMETER, UNLESS OTHERWISE SPECIFIED AND ARE FOR REFERENCE ONLY.
- THIS DRAWING TO BE INTERPRETED PER ASME Y14.5M-2009.
- MATERIAL: BODY - TIN PLATED ALUMINUM
SCREW - CLEAR COATED ALUMINUM
INSULATION - PLASTISOL
CAPS - POLYETHYLENE
- OPERATING TEMPERATURE - -40°C TO 135°C.
- VOLTAGE RATING - 600 V.
- AMPERAGE RATING - CONNECTORS ARE RATED AL9CU AND ARE INTENDED FOR USE AT AMPACITIES NOT GREATER THAN THOSE FOR A 90°C-RATED CONDUCTOR.

LISTED TO 486A-B, FILE E9498

CERTIFIED TO C22.2, NO. 65, FILE 042860_C_000

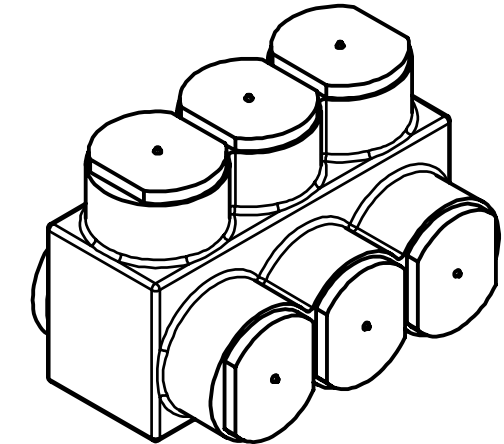
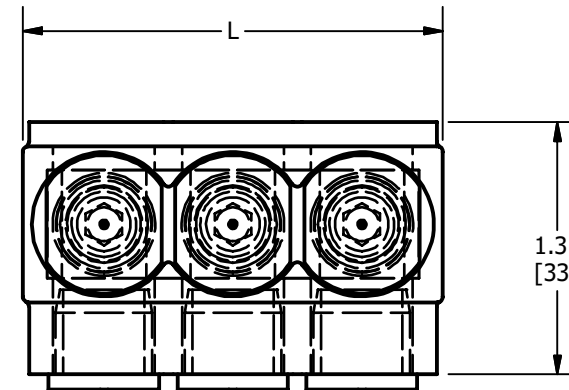


TO ORDER BURNDY® PRODUCTS CALL
 UNITED STATES
 1-800-346-4175 (LONDONDERRY, NH)
 CANADA:
 1-800-387-6487
 FOR PRODUCT INFO: <http://www.burndy.com>

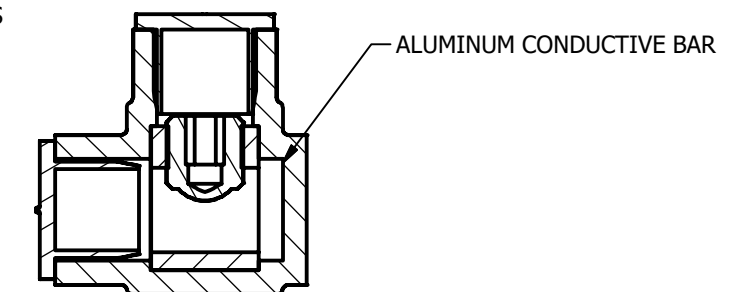
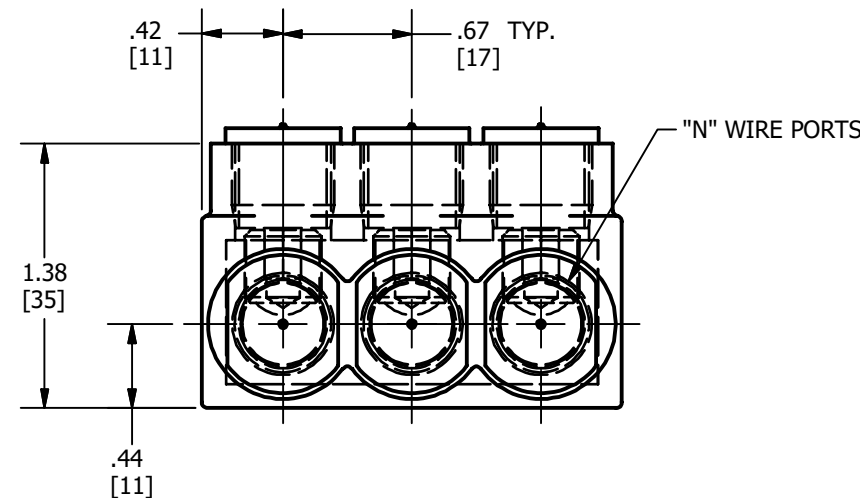
FULLY INSULATED DISTRIBUTION BLOCKS-UNITAP™	
ITEM NO: SEE TABLE	
CAT. NO: SEE TABLE	
DRAWN BY: T.REYNOLDS	08/14/2014
CHECKER: T.REYNOLDS	08/27/2014
DSN APRVL: T.REYNOLDS	12/20/2015
MFG APRVL: --	
QA APRVL: C. KOWALCZYK	12/20/2015
MKT APRVL: M.BAILLY	12/20/2015
PROD FAM: --	
PROJECT #: LM15085	SIZE
DOCUMENT TYPE: SALES	B
REL LEVEL: Released	
DRAWING NO	REV
SC210991	D
SHEET 5 OF 15	

CATALOG NUMBER	WIRE RANGE	L	N	HEX KEY	STRIP LENGTH +/-1/32	TORQUE, IN-LBS
BIBS2/03	#14-2/0 CLASS B, C	1.938	3	3/16	5/8	120
BIBS2/04		2.610	4			
BIBS2/05		3.282	5			
BIBS2/06		3.954	6			
BIBS2/08		5.298	8			
BIBS2/010		6.642	10			
BIBS2/012		7.986	12			
BIBS2/014		9.330	14			

REV	DATE	DESCRIPTION	ECO	BY	C'H'K.
D	01/19/2023	UPDATED AS PER MARKUP	230113026991	YR	RA

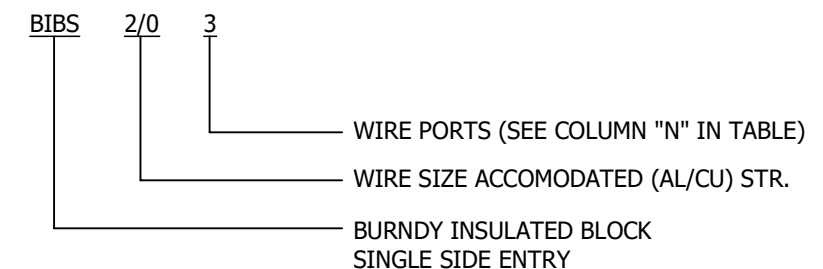


FEATURES	BENEFITS
PLASTISOL COVERED AL 6060-T6 BODY	SAVES TIME, LOWERS INSTALLATION COST, ELIMINATES TAPING
CLEAR PLASTISOL	ALLOWS VISUAL CONFIRMATION THAT CONDUCTOR IS PROPERLY INSERTED
OXIDE-INHIBITOR IS PREFILLED	INHIBITS MOISTURE AND CONTAMINANTS FROM ENTERING THE CONTACT AREA
RANGE-TAKING IN BOTH CODE AND FLEX	REDUCES THE NUMBER OF CONNECTORS CARRIED IN INVENTORY
WIRE AND SCREW PORT COVERS	PROTECTS AGAINST CONTAMINATION AND ACCIDENTAL CONTACT OF ENERGIZED PARTS.



LISTED TO 486A-B, FILE E9498

CERTIFIED TO C22.2, NO. 65, FILE 042860_C_000



NOTES:

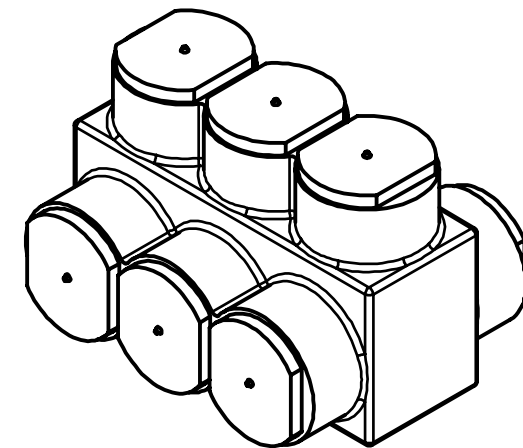
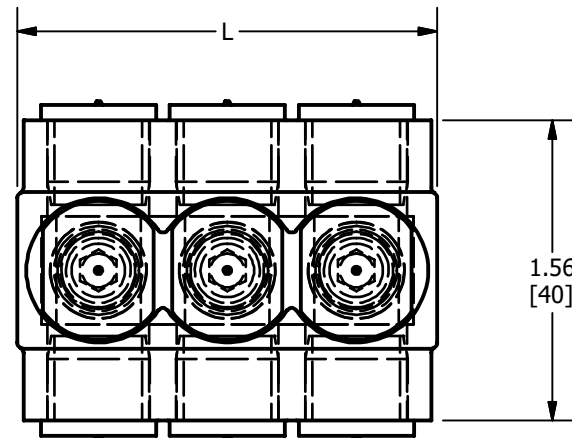
- DIMENSIONS IN BRACKETS [] ARE IN MILLIMETERS ROUNDED OFF TO THE NEAREST MILLIMETER, UNLESS OTHERWISE SPECIFIED AND ARE FOR REFERENCE ONLY.
- THIS DRAWING TO BE INTERPRETED PER ASME Y14.5M-2009.
- MATERIAL: BODY - TIN PLATED ALUMINUM
SCREW - CLEAR COATED ALUMINUM
INSULATION - PLASTISOL
CAPS - POLYETHOLENE
- OPERATING TEMPERATURE - -40°C TO 135°C.
- VOLTAGE RATING - 600 V.
- AMPERAGE RATING - CONNECTORS ARE RATED AL9CU AND ARE INTENDED FOR USE AT AMPACITIES NOT GREATER THAN THOSE FOR A 90°C-RATED CONDUCTOR.

TO ORDER BURNDY® PRODUCTS CALL		FULLY INSULATED DISTRIBUTION BLOCKS-UNITAP™	
UNITED STATES 1-800-346-4175 (LONDONDERRY, NH)		ITEM NO: SEE TABLE	
CANADA: 1-800-387-6487		CAT. NO: SEE TABLE	
FOR PRODUCT INFO: http://www.burndy.com		DRAWN BY: T.REYNOLDS 08/14/2014	
		CHECKER: T.REYNOLDS 08/27/2014	
		DSN APRVL: T.REYNOLDS 12/20/2015	
		MFG APRVL: --	
		QA APRVL: C.KOWALCZYK 12/20/2015	
		MKT APRVL: M.BAILLY 12/20/2015	
		PROD FAM: --	
		DRAWING NO	
		REV	
		PROJECT #: LM15085	
		SIZE	
		SC210991	
		DOCUMENT TYPE: SALES	
		B	
		SHEET 6 OF 15	
		D	

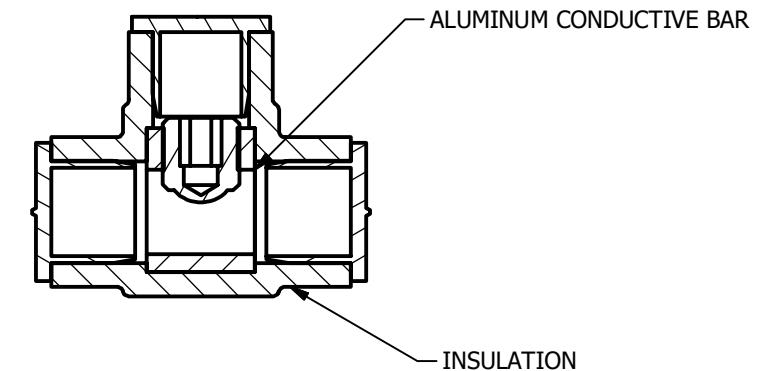
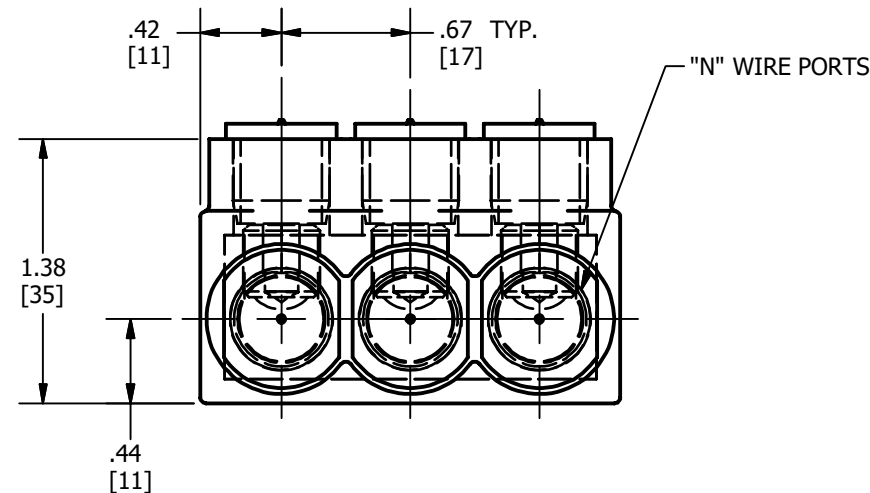


CATALOG NUMBER	WIRE RANGE	L	N	HEX KEY	STRIP LENGTH +/-1/32	TORQUE, IN-LBS
BIBD2/02	#14-2/0 CLASS B, C	1.266	2	3/16	5/8	120
BIBD2/03		1.938	3			
BIBD2/04		2.610	4			
BIBD2/05		3.282	5			
BIBD2/06		3.954	6			
BIBD2/08		5.298	8			
BIBD2/010		6.642	10			
BIBD2/012		7.986	12			
BIBD2/014	9.330	14				

REV	DATE	DESCRIPTION	ECO	BY	CHK.
D	01/19/2023	UPDATED AS PER MARKUP	230113026991	YR	RA

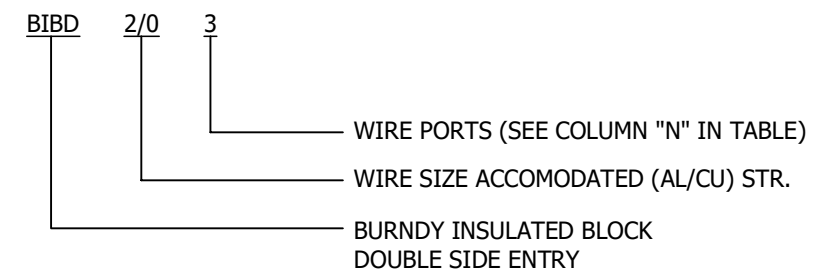


FEATURES	BENEFITS
PLASTISOL COVERED AL 6060-T6 BODY	SAVES TIME, LOWERS INSTALLATION COST, ELIMINATES TAPING
CLEAR PLASTISOL	ALLOWS VISUAL CONFIRMATION THAT CONDUCTOR IS PROPERLY INSERTED
OXIDE-INHIBITOR IS PREFILLED	INHIBITS MOISTURE AND CONTAMINANTS FROM ENTERING THE CONTACT AREA
RANGE-TAKING IN BOTH CODE AND FLEX	REDUCES THE NUMBER OF CONNECTORS CARRIED IN INVENTORY
WIRE AND SCREW PORT COVERS	PROTECTS AGAINST CONTAMINATION AND ACCIDENTAL CONTACT OF ENERGIZED PARTS.



UL LISTED TO 486A-B, FILE E9498

CS CERTIFIED TO C22.2, NO. 65, FILE 042860_C_000



NOTES:

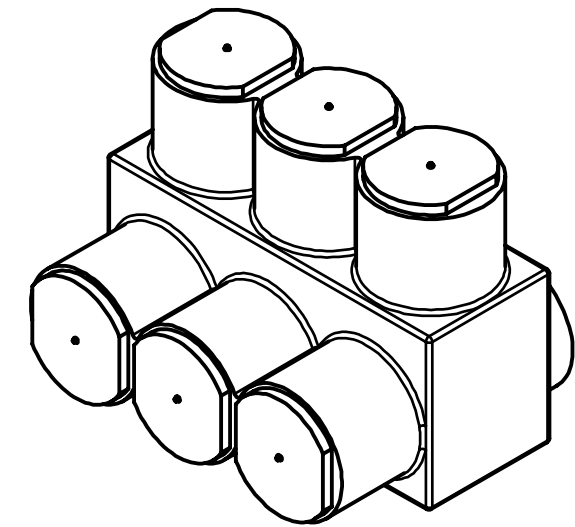
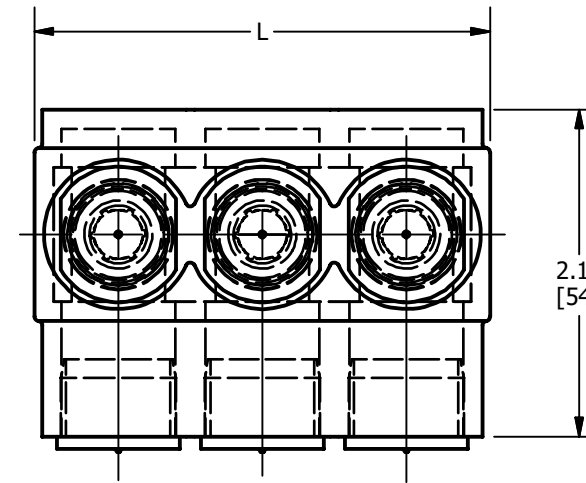
- DIMENSIONS IN BRACKETS [] ARE IN MILLIMETERS ROUNDED OFF TO THE NEAREST MILLIMETER, UNLESS OTHERWISE SPECIFIED AND ARE FOR REFERENCE ONLY.
- THIS DRAWING TO BE INTERPRETED PER ASME Y14.5M-2009.
- MATERIAL: BODY - TIN PLATED ALUMINUM
SCREW - CLEAR COATED ALUMINUM
INSULATION - PLASTISOL
CAPS - POLYETHOLENE
- OPERATING TEMPERATURE - -40°C TO 135°C.
- VOLTAGE RATING - 600 V.
- AMPERAGE RATING - CONNECTORS ARE RATED AL9CU AND ARE INTENDED FOR USE AT AMPACITIES NOT GREATER THAN THOSE FOR A 90°C-RATED CONDUCTOR.

TO ORDER BURNDY® PRODUCTS CALL		FULLY INSULATED DISTRIBUTION BLOCKS-UNITAP™	
UNITED STATES 1-800-346-4175 (LONDONDERRY, NH)		ITEM NO: SEE TABLE	
CANADA: 1-800-387-6487		CAT. NO: SEE TABLE	
FOR PRODUCT INFO: http://www.burndy.com		DRAWN BY: T.REYNOLDS 08/14/2014	
		CHECKER: T.REYNOLDS 08/27/2014	
		DSN APRVL: T.REYNOLDS 12/20/2015	
		MFG APRVL: --	
		QA APRVL: C.KOWALCZYK 12/20/2015	
		MKT APRVL: M.BAILLY 12/20/2015	
		PROD FAM: --	
		DRAWING NO	
		REV	
		PROJECT #: LM15085	
		SIZE	
		SC210991	
		DOCUMENT TYPE: SALES	
		B	
		SHEET 7 OF 15	
		D	

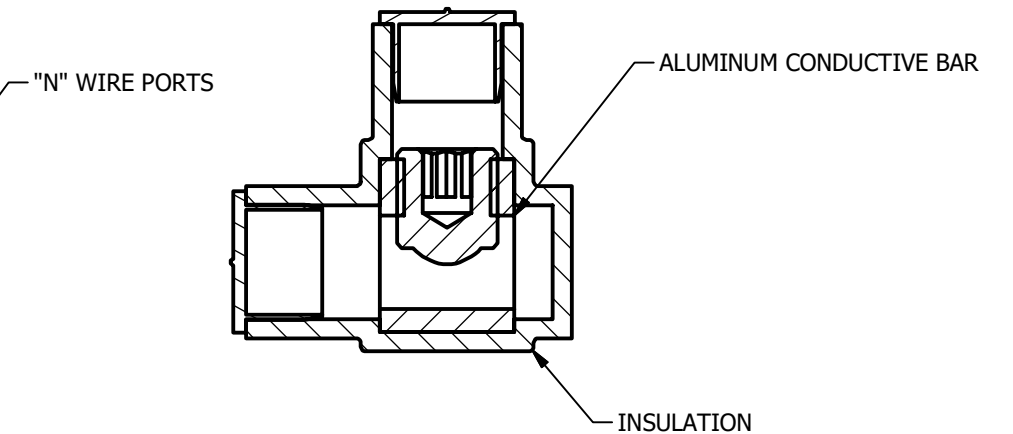
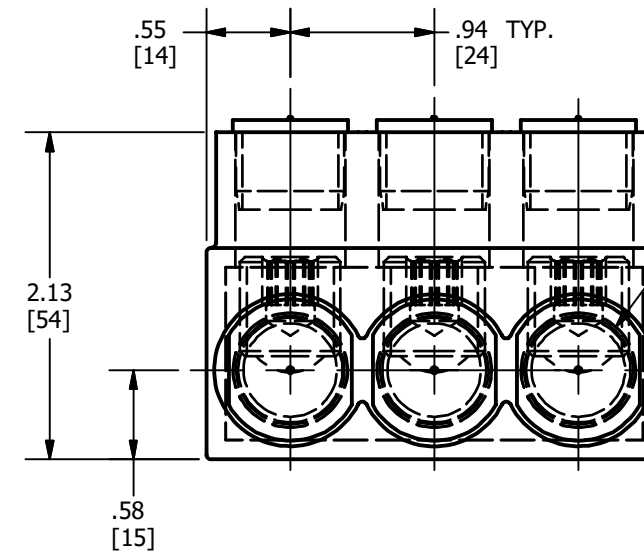


CATALOG NUMBER	WIRE RANGE	L	N	HEX KEY	STRIP LENGTH +/-1/32	TORQUE, IN-LBS
BIBS2503	#10-250 CLASS B, C	2.718	3	5/16	15/16	275
BIBS2504		3.656	4			
BIBS2505		4.594	5			
BIBS2506		5.532	6			
BIBS2508		7.408	8			
BIBS25010		9.284	10			
BIBS25012		11.160	12			
BIBS25014		13.036	14			

REV	DATE	DESCRIPTION	ECO	BY	C'H.K.
D	01/19/2023	UPDATED AS PER MARKUP	230113026991	YR	RA



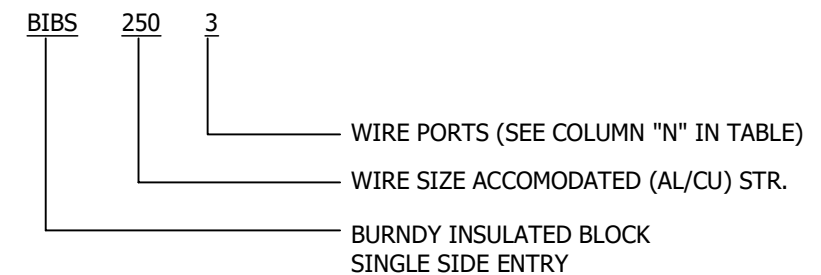
FEATURES	BENEFITS
PLASTISOL COVERED AL 6060-T6 BODY	SAVES TIME, LOWERS INSTALLATION COST, ELIMINATES TAPING
CLEAR PLASTISOL	ALLOWS VISUAL CONFIRMATION THAT CONDUCTOR IS PROPERLY INSERTED
OXIDE-INHIBITOR IS PREFILLED	INHIBITS MOISTURE AND CONTAMINANTS FROM ENTERING THE CONTACT AREA
RANGE-TAKING IN BOTH CODE AND FLEX	REDUCES THE NUMBER OF CONNECTORS CARRIED IN INVENTORY
WIRE AND SCREW PORT COVERS	PROTECTS AGAINST CONTAMINATION AND ACCIDENTAL CONTACT OF ENERGIZED PARTS.



NOTES:

- DIMENSIONS IN BRACKETS [] ARE IN MILLIMETERS ROUNDED OFF TO THE NEAREST MILLIMETER, UNLESS OTHERWISE SPECIFIED AND ARE FOR REFERENCE ONLY.
- THIS DRAWING TO BE INTERPRETED PER ASME Y14.5M-2009.
- MATERIAL: BODY - TIN PLATED ALUMINUM
SCREW - CLEAR COATED ALUMINUM
INSULATION - PLASTISOL
CAPS - POLYETHOLENE
- OPERATING TEMPERATURE - -40°C TO 135°C.
- VOLTAGE RATING - 600 V.
- AMPERAGE RATING - CONNECTORS ARE RATED AL9CU AND ARE INTENDED FOR USE AT AMPACITIES NOT GREATER THAN THOSE FOR A 90°C-RATED CONDUCTOR.

- LISTED TO 486A-B, FILE E9498
- CERTIFIED TO C22.2, NO. 65, FILE 042860_C_000

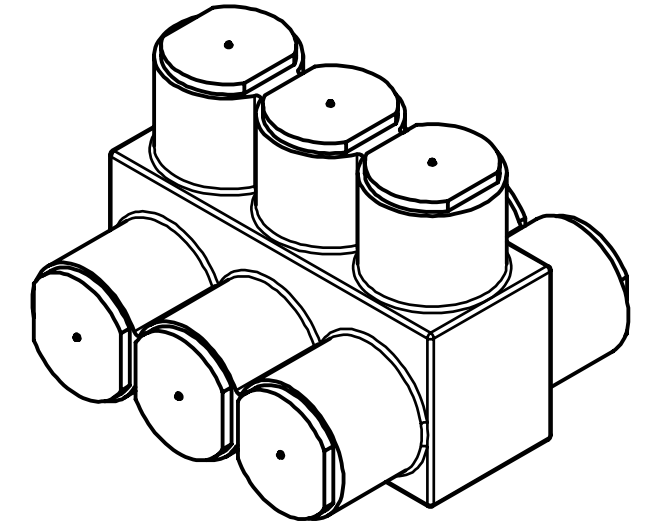
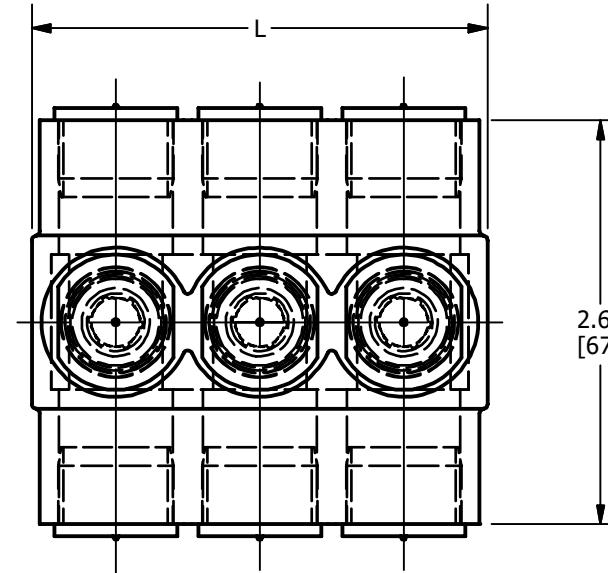


TO ORDER BURNDY® PRODUCTS CALL		FULLY INSULATED DISTRIBUTION BLOCKS-UNITAP™	
UNITED STATES 1-800-346-4175 (LONDONDERRY, NH)		ITEM NO: SEE TABLE	
CANADA: 1-800-387-6487		CAT. NO: SEE TABLE	
FOR PRODUCT INFO: http://www.burndy.com		DRAWN BY: T.REYNOLDS 08/14/2014	
		CHECKER: T.REYNOLDS 08/27/2014	
		DSN APRVL: T.REYNOLDS 12/20/2015	
		MFG APRVL: --	
		QA APRVL: C.KOWALCZYK 12/20/2015	
		MKT APRVL: M.BAILLY 12/20/2015	
		PROD FAM: --	
		DRAWING NO	
		REV	
		PROJECT #: LM15085	
		SIZE	
		SC210991	
		DOCUMENT TYPE: SALES	
		B	
		SHEET 8 OF 15	
		REL LEVEL: Released	
		D	

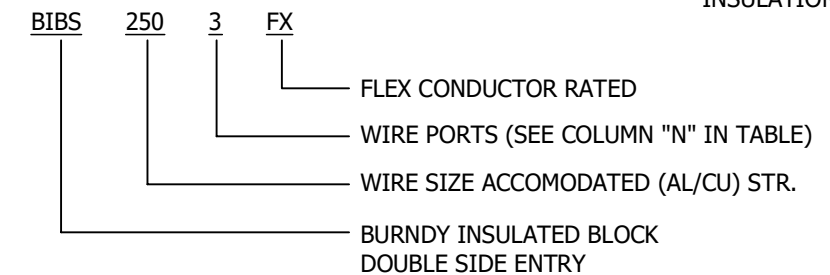
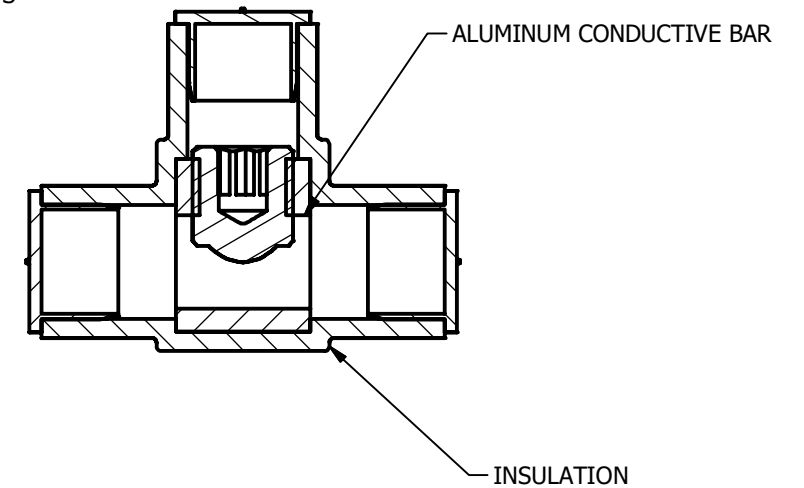
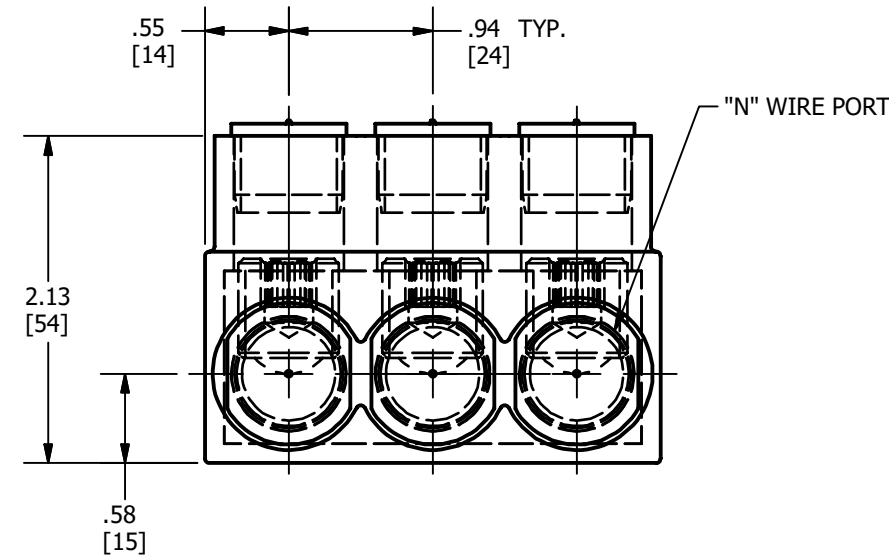


CATALOG NUMBER	WIRE RANGE	L	N	HEX KEY	STRIP LENGTH +/-1/32	TORQUE, IN-LBS
BIBD2502	#10-250 CLASS B, C	1.780	2	5/16	15/16	275
BIBD2503		2.718	3			
BIBD2504		3.656	4			
BIBD2505		4.594	5			
BIBD2506		5.532	6			
BIBD2508		7.408	8			
BIBD25010		9.284	10			
BIBD25012		11.160	12			
BIBD25014	13.036	14				

REV	DATE	DESCRIPTION	ECO	BY	C'H.K.
D	01/19/2023	UPDATED AS PER MARKUP	230113026991	YR	RA



FEATURES	BENEFITS
PLASTISOL COVERED AL 6060-T6 BODY	SAVES TIME, LOWERS INSTALLATION COST, ELIMINATES TAPING
CLEAR PLASTISOL	ALLOWS VISUAL CONFIRMATION THAT CONDUCTOR IS PROPERLY INSERTED
OXIDE-INHIBITOR IS PREFILLED	INHIBITS MOISTURE AND CONTAMINANTS FROM ENTERING THE CONTACT AREA
RANGE-TAKING IN BOTH CODE AND FLEX	REDUCES THE NUMBER OF CONNECTORS CARRIED IN INVENTORY
WIRE AND SCREW PORT COVERS	PROTECTS AGAINST CONTAMINATION AND ACCIDENTAL CONTACT OF ENERGIZED PARTS.



LISTED TO 486A-B, FILE E9498

CERTIFIED TO C22.2, NO. 65, FILE 042860_C_000

NOTES:

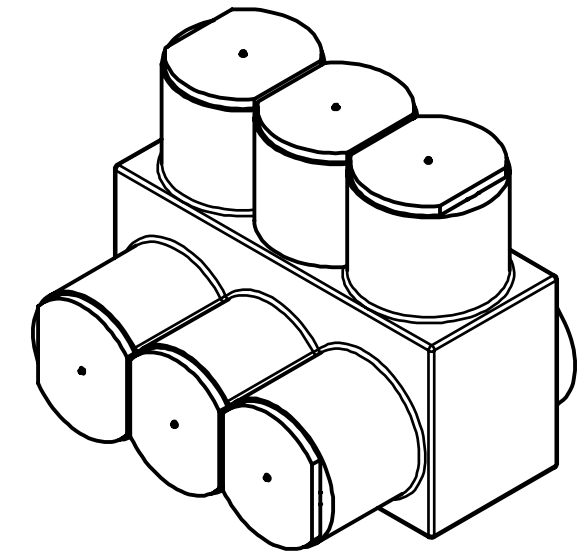
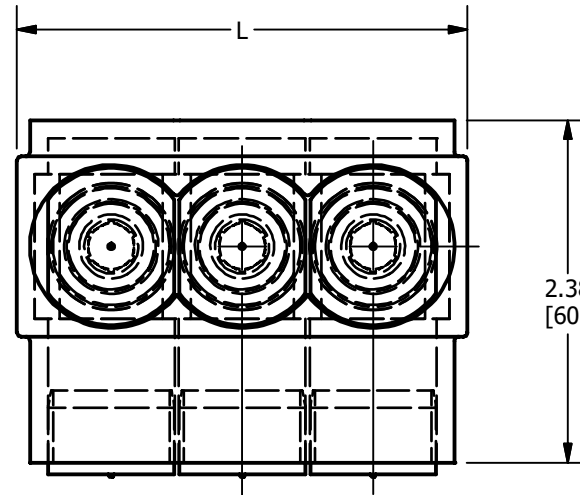
- DIMENSIONS IN BRACKETS [] ARE IN MILLIMETERS ROUNDED OFF TO THE NEAREST MILLIMETER, UNLESS OTHERWISE SPECIFIED AND ARE FOR REFERENCE ONLY.
- THIS DRAWING TO BE INTERPRETED PER ASME Y14.5M-2009.
- MATERIAL: BODY - TIN PLATED ALUMINUM
SCREW - CLEAR COATED ALUMINUM
INSULATION - PLASTISOL
CAPS - POLYETHOLENE
- OPERATING TEMPERATURE - -40°C TO 135°C.
- VOLTAGE RATING - 600 V.
- AMPERAGE RATING - CONNECTORS ARE RATED AL9CU AND ARE INTENDED FOR USE AT AMPACITIES NOT GREATER THAN THOSE FOR A 90°C-RATED CONDUCTOR.

TO ORDER BURNDY® PRODUCTS CALL
UNITED STATES
1-800-346-4175 (LONDONDERRY, NH)
CANADA:
1-800-387-6487
FOR PRODUCT INFO: <http://www.burndy.com>

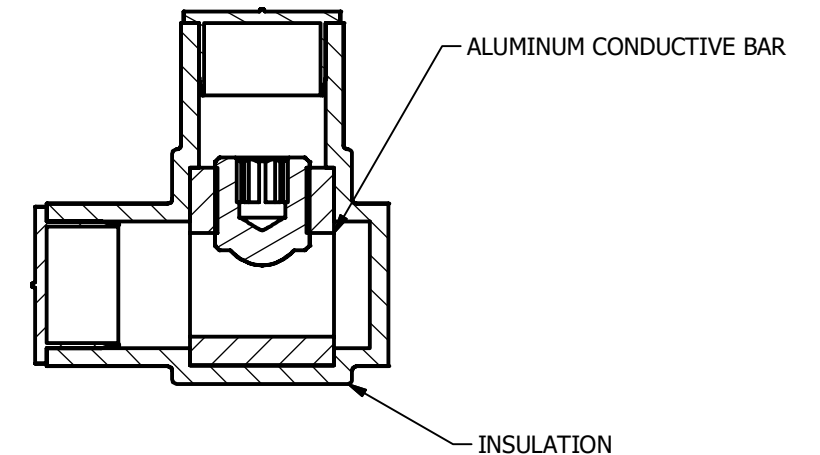
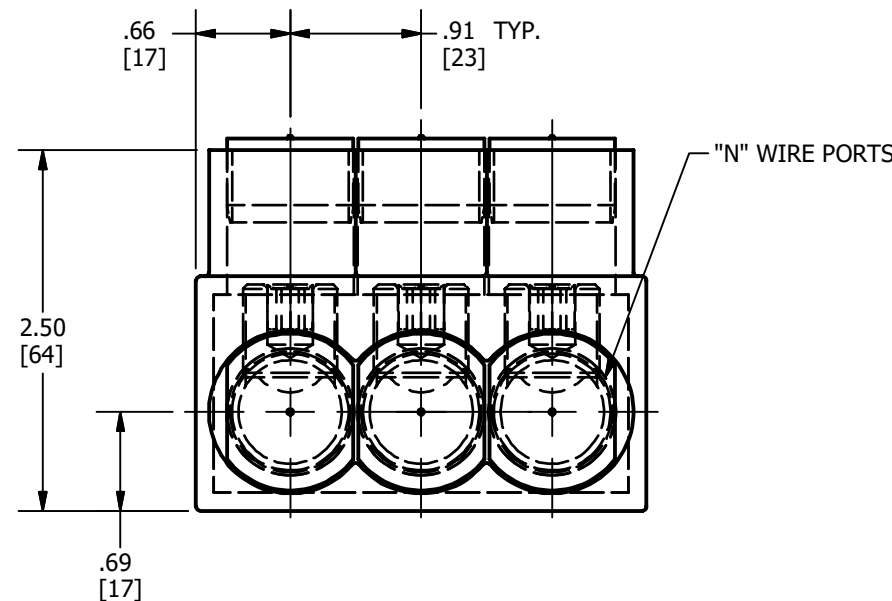
FULLY INSULATED DISTRIBUTION BLOCKS-UNITAP™	
ITEM NO: SEE TABLE	
CAT. NO: SEE TABLE	
DRAWN BY: T.REYNOLDS	08/14/2014
CHECKER: T.REYNOLDS	08/27/2014
DSN APRVL: T.REYNOLDS	12/20/2015
MFG APRVL: --	
QA APRVL: C. KOWALCZYK	12/20/2015
MKT APRVL: M.BAILLY	12/20/2015
PROD FAM: --	
PROJECT #: LM15085	SIZE
DOCUMENT TYPE: SALES	B
REL LEVEL: Released	
DRAWING NO	REV
SC210991	D
SHEET 9 OF 15	

CATALOG NUMBER	WIRE RANGE	L	N	HEX KEY	STRIP LENGTH +/-1/32	TORQUE, IN-LBS
BIBS3503	#10-350 CLASS B, C	2.880	3	5/16	1 1/16	275
BIBS3504		3.790	4			
BIBS3505		4.700	5			
BIBS3506		5.610	6			
BIBS3508		7.430	8			
BIBS35010		9.250	10			
BIBS35012		11.070	12			
BIBS35014	12.890	14				

REV	DATE	DESCRIPTION	ECO	BY	C'H.K.
D	01/19/2023	UPDATED AS PER MARKUP	230113026991	YR	RA



FEATURES	BENEFITS
PLASTISOL COVERED AL 6060-T6 BODY	SAVES TIME, LOWERS INSTALLATION COST, ELIMINATES TAPING
CLEAR PLASTISOL	ALLOWS VISUAL CONFIRMATION THAT CONDUCTOR IS PROPERLY INSERTED
OXIDE-INHIBITOR IS PREFILLED	INHIBITS MOISTURE AND CONTAMINANTS FROM ENTERING THE CONTACT AREA
RANGE-TAKING IN BOTH CODE AND FLEX	REDUCES THE NUMBER OF CONNECTORS CARRIED IN INVENTORY
WIRE AND SCREW PORT COVERS	PROTECTS AGAINST CONTAMINATION AND ACCIDENTAL CONTACT OF ENERGIZED PARTS.

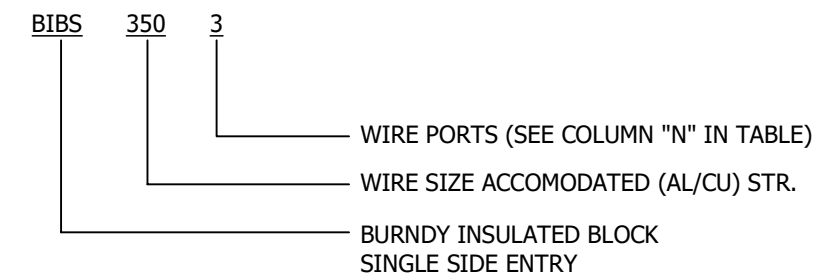


NOTES:

- DIMENSIONS IN BRACKETS [] ARE IN MILLIMETERS ROUNDED OFF TO THE NEAREST MILLIMETER, UNLESS OTHERWISE SPECIFIED AND ARE FOR REFERENCE ONLY.
- THIS DRAWING TO BE INTERPRETED PER ASME Y14.5M-2009.
- MATERIAL: BODY - TIN PLATED ALUMINUM
SCREW - CLEAR COATED ALUMINUM
INSULATION - PLASTISOL
CAPS - POLYETHOLENE
- OPERATING TEMPERATURE - -40°C TO 135°C.
- VOLTAGE RATING - 600 V.
- AMPERAGE RATING - CONNECTORS ARE RATED AL9CU AND ARE INTENDED FOR USE AT AMPACITIES NOT GREATER THAN THOSE FOR A 90°C-RATED CONDUCTOR.

LISTED TO 486A-B, FILE E9498

CERTIFIED TO C22.2, NO. 65, FILE 042860_C_000

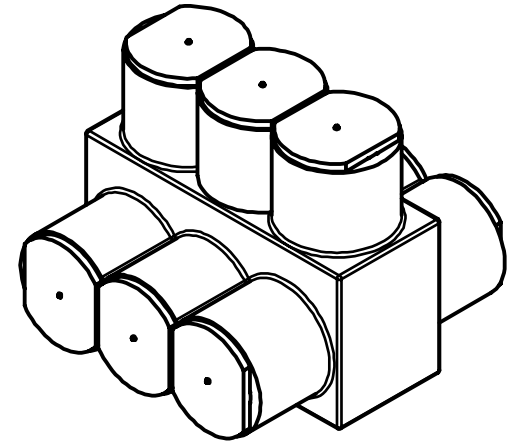
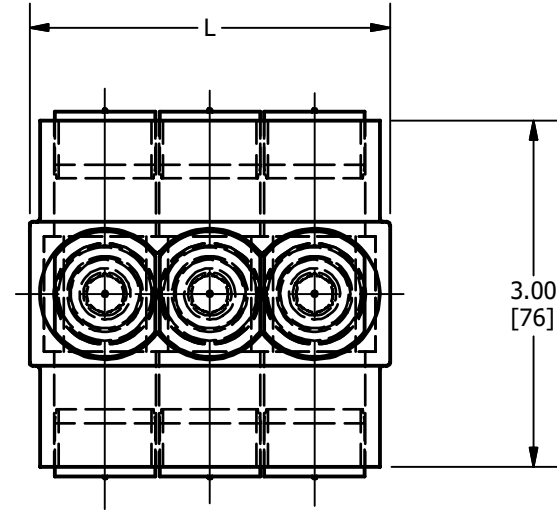


TO ORDER BURNDY® PRODUCTS CALL		FULLY INSULATED DISTRIBUTION BLOCKS-UNITAP™	
UNITED STATES 1-800-346-4175 (LONDONDERRY, NH)		ITEM NO: SEE TABLE	
CANADA: 1-800-387-6487		CAT. NO: SEE TABLE	
FOR PRODUCT INFO: http://www.burndy.com		DRAWN BY: T.REYNOLDS 08/14/2014	
		CHECKER: T.REYNOLDS 08/27/2014	
		DSN APRVL: T.REYNOLDS 12/20/2015	
		MFG APRVL: --	
		QA APRVL: C. KOWALCZYK 12/20/2015	
		MKT APRVL: M.BAILLY 12/20/2015	
		PROD FAM: --	
		DRAWING NO	
		REV	
		PROJECT #: LM15085	
		SIZE	
		SC210991	
		DOCUMENT TYPE: SALES	
		B	
		SHEET 10 OF 15	
		D	

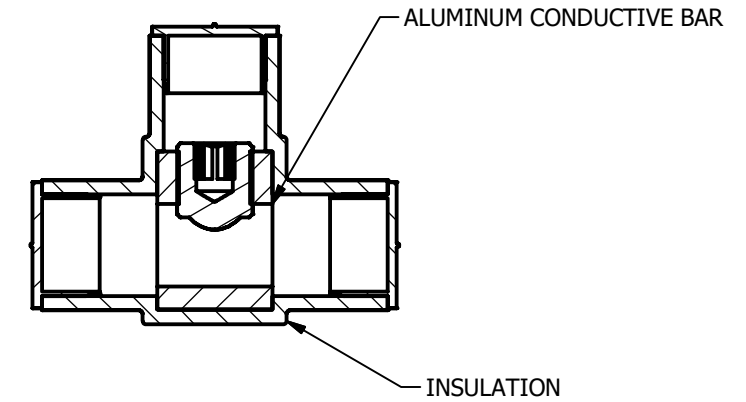
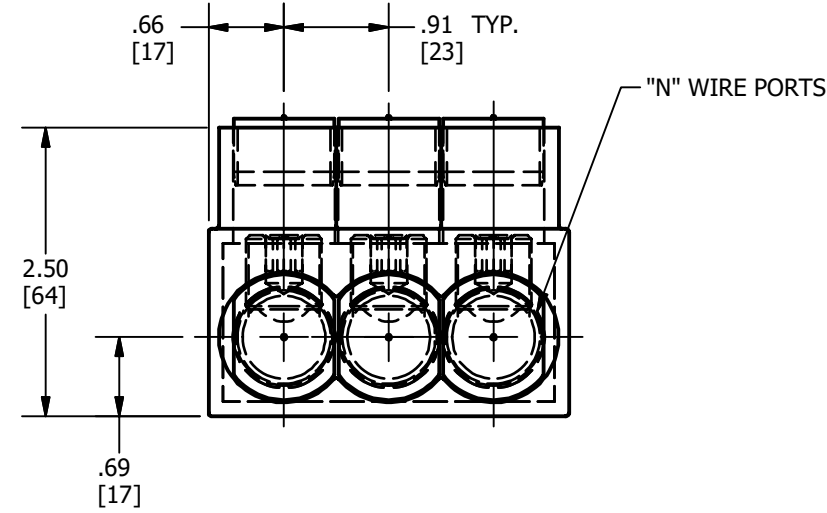


CATALOG NUMBER	WIRE RANGE	L	N	HEX KEY	STRIP LENGTH +/-1/32	TORQUE, IN-LBS
BIBD3502	#10-350 CLASS B, C	1.970	2	5/16	1 1/16	275
BIBD3503		2.880	3			
BIBD3504		3.790	4			
BIBD3505		4.700	5			
BIBD3506		5.610	6			
BIBD3508		7.430	8			
BIBD35010		9.250	10			
BIBD35012		11.070	12			
BIBD35014	12.890	14				

REV	DATE	DESCRIPTION	ECO	BY	C'H'K.
D	01/19/2023	UPDATED AS PER MARKUP	230113026991	YR	RA

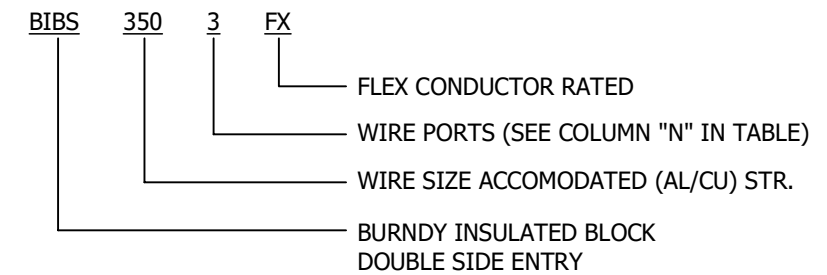


FEATURES	BENEFITS
PLASTISOL COVERED AL 6060-T6 BODY	SAVES TIME, LOWERS INSTALLATION COST, ELIMINATES TAPING
CLEAR PLASTISOL	ALLOWS VISUAL CONFIRMATION THAT CONDUCTOR IS PROPERLY INSERTED
OXIDE-INHIBITOR IS PREFILLED	INHIBITS MOISTURE AND CONTAMINANTS FROM ENTERING THE CONTACT AREA
RANGE-TAKING IN BOTH CODE AND FLEX	REDUCES THE NUMBER OF CONNECTORS CARRIED IN INVENTORY
WIRE AND SCREW PORT COVERS	PROTECTS AGAINST CONTAMINATION AND ACCIDENTAL CONTACT OF ENERGIZED PARTS.



LISTED TO 486A-B, FILE E9498

CERTIFIED TO C22.2, NO. 65, FILE 042860_C_000



NOTES:

- DIMENSIONS IN BRACKETS [] ARE IN MILLIMETERS ROUNDED OFF TO THE NEAREST MILLIMETER, UNLESS OTHERWISE SPECIFIED AND ARE FOR REFERENCE ONLY.
- THIS DRAWING TO BE INTERPRETED PER ASME Y14.5M-2009.
- MATERIAL: BODY - TIN PLATED ALUMINUM
SCREW - CLEAR COATED ALUMINUM
INSULATION - PLASTISOL
CAPS - POLYETHOLENE
- OPERATING TEMPERATURE - -40°C TO 135°C.
- VOLTAGE RATING - 600 V.
- AMPERAGE RATING - CONNECTORS ARE RATED AL9CU AND ARE INTENDED FOR USE AT AMPACITIES NOT GREATER THAN THOSE FOR A 90°C-RATED CONDUCTOR.

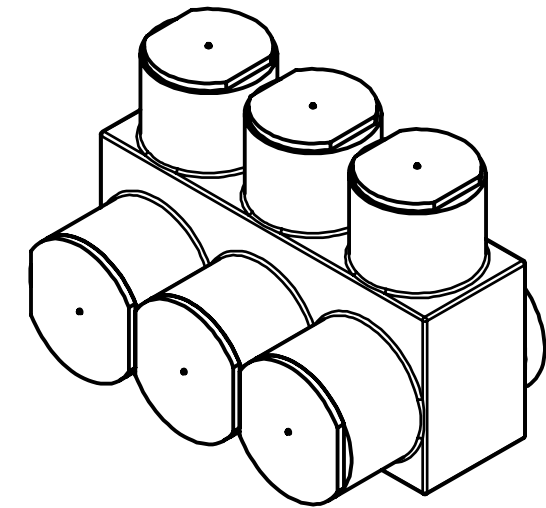
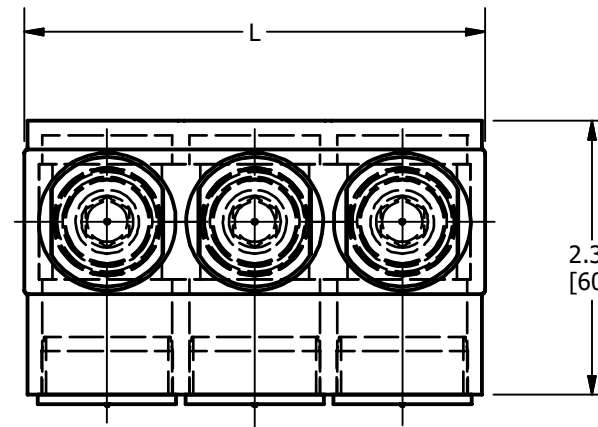
TO ORDER BURNDY® PRODUCTS CALL
 UNITED STATES
 1-800-346-4175 (LONDONDERRY, NH)
 CANADA:
 1-800-387-6487
 FOR PRODUCT INFO: <http://www.burndy.com>

FULLY INSULATED DISTRIBUTION BLOCKS-UNITAP™	
ITEM NO: SEE TABLE	
CAT. NO: SEE TABLE	
DRAWN BY: T.REYNOLDS	08/14/2014
CHECKER: T.REYNOLDS	08/27/2014
DSN APRVL: T.REYNOLDS	12/20/2015
MFG APRVL: --	
QA APRVL: C. KOWALCZYK	12/20/2015
MKT APRVL: M.BAILLY	12/20/2015
PROD FAM: --	
PROJECT #: LM15085	SIZE
DOCUMENT TYPE: SALES	B
REL LEVEL: Released	
DRAWING NO	
SC210991	
SHEET 11 OF 15	
REV	D

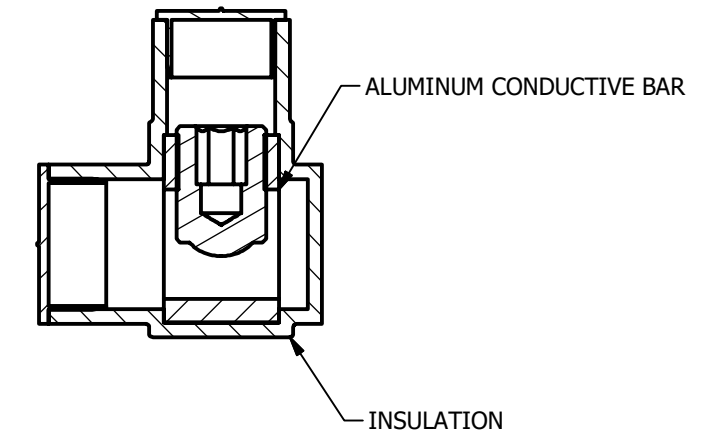
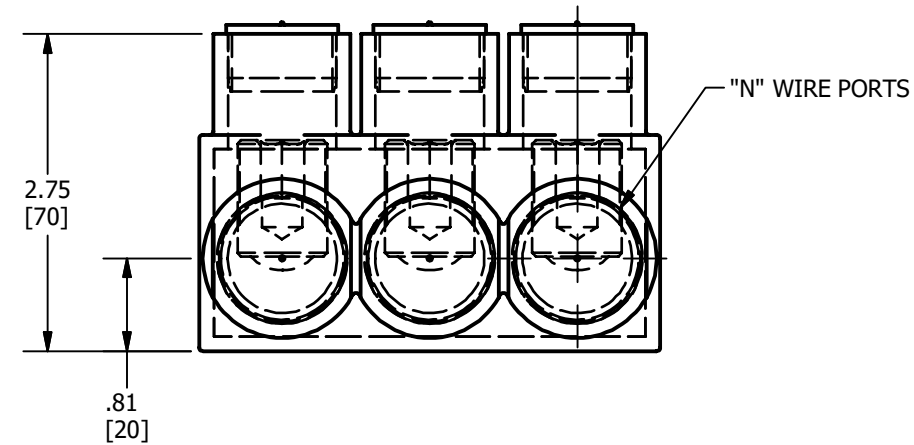


CATALOG NUMBER	WIRE RANGE	L	N	HEX KEY	STRIP LENGTH +/-1/32	TORQUE, IN-LBS
BIBS6003	#4-600 CLASS B, C	3.750	3	3/8	1 1/16	375
BIBS6004		5.031	4			
BIBS6005		6.312	5			
BIBS6006		7.593	6			
BIBS6008		10.155	8			
BIBS60010		12.717	10			
BIBS60012		15.279	12			
BIBS60014	17.841	14				

REV	DATE	DESCRIPTION	ECO	BY	C'H'K.
D	01/19/2023	UPDATED AS PER MARKUP	230113026991	YR	RA

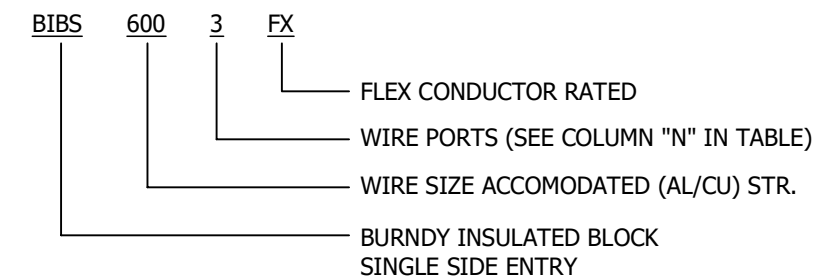


FEATURES	BENEFITS
PLASTISOL COVERED AL 6060-T6 BODY	SAVES TIME, LOWERS INSTALLATION COST, ELIMINATES TAPING
CLEAR PLASTISOL	ALLOWS VISUAL CONFIRMATION THAT CONDUCTOR IS PROPERLY INSERTED
OXIDE-INHIBITOR IS PREFILLED	INHIBITS MOISTURE AND CONTAMINANTS FROM ENTERING THE CONTACT AREA
RANGE-TAKING IN BOTH CODE AND FLEX	REDUCES THE NUMBER OF CONNECTORS CARRIED IN INVENTORY
WIRE AND SCREW PORT COVERS	PROTECTS AGAINST CONTAMINATION AND ACCIDENTAL CONTACT OF ENERGIZED PARTS.



LISTED TO 486A-B, FILE E9498

CERTIFIED TO C22.2, NO. 65, FILE 042860_C_000



NOTES:

- DIMENSIONS IN BRACKETS [] ARE IN MILLIMETERS ROUNDED OFF TO THE NEAREST MILLIMETER, UNLESS OTHERWISE SPECIFIED AND ARE FOR REFERENCE ONLY.
- THIS DRAWING TO BE INTERPRETED PER ASME Y14.5M-2009.
- MATERIAL: BODY - TIN PLATED ALUMINUM
SCREW - CLEAR COATED ALUMINUM
INSULATION - PLASTISOL
CAPS - POLYETHOLENE
- OPERATING TEMPERATURE - -40°C TO 135°C.
- VOLTAGE RATING - 600 V.
- AMPERAGE RATING - CONNECTORS ARE RATED AL9CU AND ARE INTENDED FOR USE AT AMPACITIES NOT GREATER THAN THOSE FOR A 90°C-RATED CONDUCTOR.

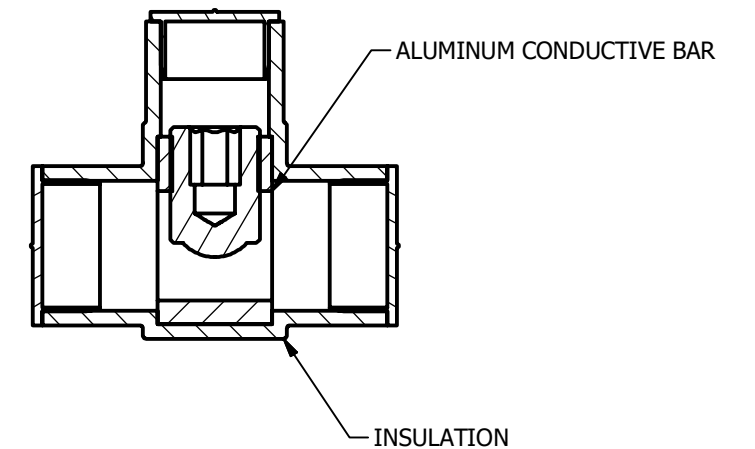
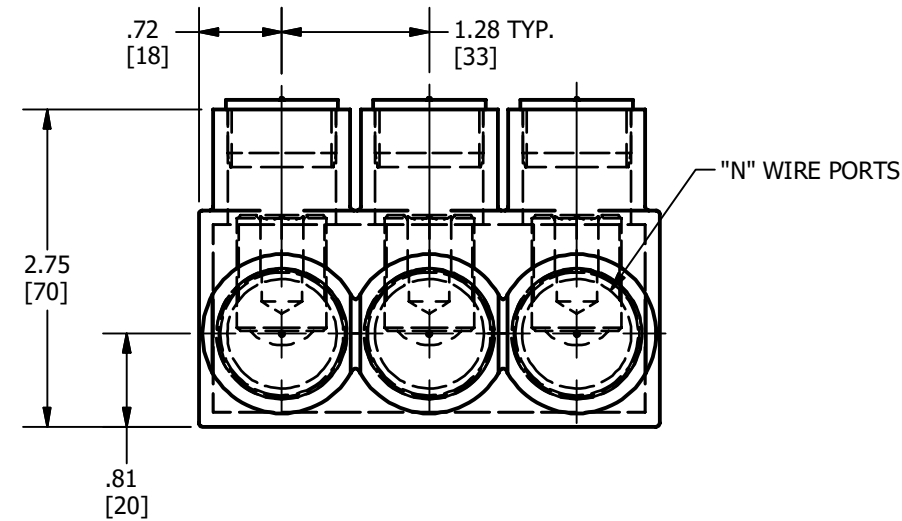
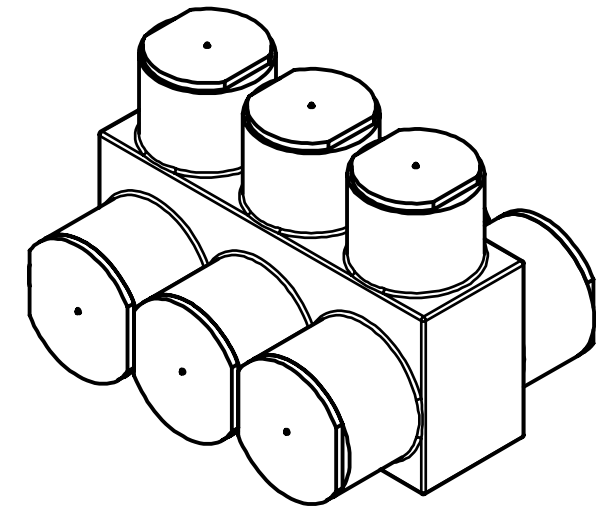
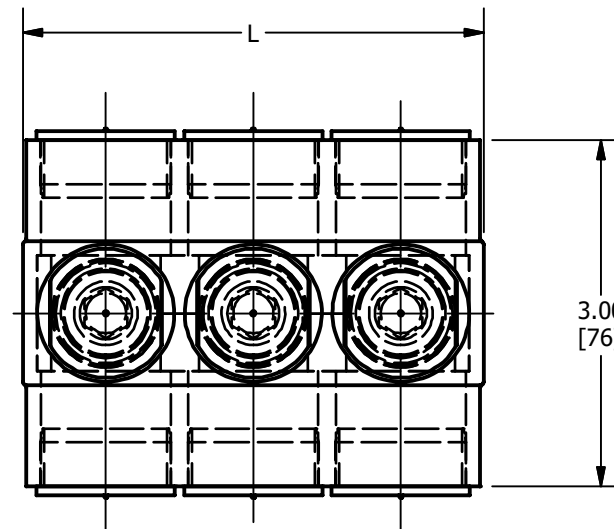
TO ORDER BURNDY® PRODUCTS CALL		FULLY INSULATED DISTRIBUTION BLOCKS-UNITAP™	
UNITED STATES 1-800-346-4175 (LONDONDERRY, NH)		ITEM NO: SEE TABLE	
CANADA: 1-800-387-6487		CAT. NO: SEE TABLE	
FOR PRODUCT INFO: http://www.burndy.com		DRAWN BY: T.REYNOLDS 08/14/2014	
		CHECKER: T.REYNOLDS 08/27/2014	
		DSN APRV: T.REYNOLDS 12/20/2015	
		MFG APRV: --	
		QA APRV: C. KOWALCZYK 12/20/2015	
		MKT APRV: M.BAILLY 12/20/2015	
		PROD FAM: --	
		DRAWING NO	
		REV	
		PROJECT #: LM15085	
		SIZE	
		SC210991	
		DOCUMENT TYPE: SALES	
		B	
		SHEET 12 OF 15	
		D	



CATALOG NUMBER	WIRE RANGE	L	N	HEX KEY	STRIP LENGTH +/--1/32	TORQUE, IN-LBS
BIBD6002	#4-600 CLASS B, C	2.469	2	3/8	1 1/16	375
BIBD6003		3.750	3			
BIBD6004		5.031	4			
BIBD6005		6.312	5			
BIBD6006		7.593	6			
BIBD6008		10.155	8			
BIBD60010		12.717	10			
BIBD60012		15.279	12			
BIBD60014	17.841	14				

REV	DATE	DESCRIPTION	ECO	BY	C'H'K.
D	01/19/2023	UPDATED AS PER MARKUP	230113026991	YR	RA

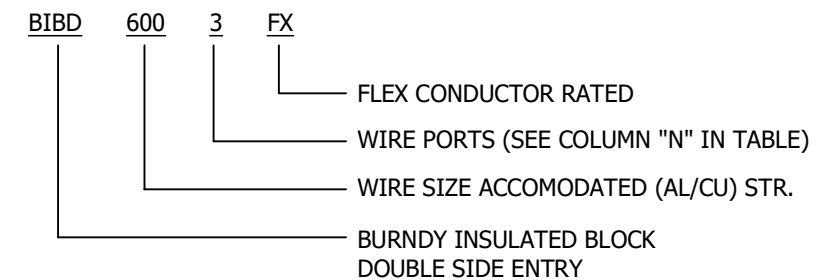
FEATURES	BENEFITS
PLASTISOL COVERED AL 6060-T6 BODY	SAVES TIME, LOWERS INSTALLATION COST, ELIMINATES TAPING
CLEAR PLASTISOL	ALLOWS VISUAL CONFIRMATION THAT CONDUCTOR IS PROPERLY INSERTED
OXIDE-INHIBITOR IS PREFILLED	INHIBITS MOISTURE AND CONTAMINANTS FROM ENTERING THE CONTACT AREA
RANGE-TAKING IN BOTH CODE AND FLEX	REDUCES THE NUMBER OF CONNECTORS CARRIED IN INVENTORY
WIRE AND SCREW PORT COVERS	PROTECTS AGAINST CONTAMINATION AND ACCIDENTAL CONTACT OF ENERGIZED PARTS.



NOTES:

- DIMENSIONS IN BRACKETS [] ARE IN MILLIMETERS ROUNDED OFF TO THE NEAREST MILLIMETER, UNLESS OTHERWISE SPECIFIED AND ARE FOR REFERENCE ONLY.
- THIS DRAWING TO BE INTERPRETED PER ASME Y14.5M-2009.
- MATERIAL: BODY - TIN PLATED ALUMINUM
SCREW - CLEAR COATED ALUMINUM
INSULATION - PLASTISOL
CAPS - POLYETHOLENE
- OPERATING TEMPERATURE - -40°C TO 135°C.
- VOLTAGE RATING - 600 V.
- AMPERAGE RATING - CONNECTORS ARE RATED AL9CU AND ARE INTENDED FOR USE AT AMPACITIES NOT GREATER THAN THOSE FOR A 90°C-RATED CONDUCTOR.

- LISTED TO 486A-B, FILE E9498
- CERTIFIED TO C22.2, NO. 65, FILE 042860_C_000

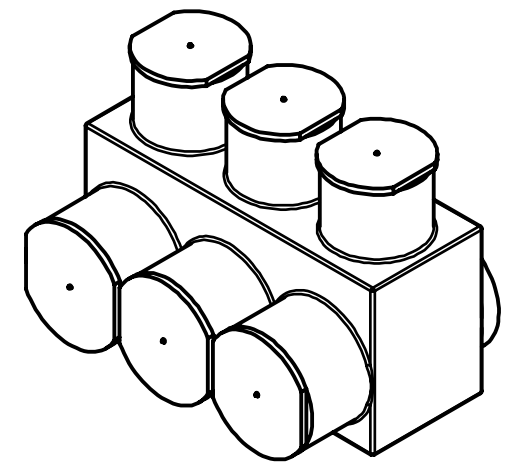
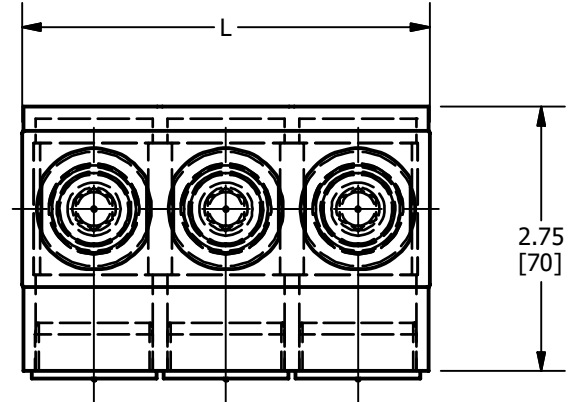


TO ORDER BURNDY® PRODUCTS CALL		FULLY INSULATED DISTRIBUTION BLOCKS-UNITAP™	
UNITED STATES 1-800-346-4175 (LONDONDERRY, NH)		ITEM NO: SEE TABLE	
CANADA: 1-800-387-6487		CAT. NO: SEE TABLE	
FOR PRODUCT INFO: http://www.burndy.com		DRAWN BY: T.REYNOLDS 08/14/2014	
		CHECKER: T.REYNOLDS 08/27/2014	
		DSN APRVL: T.REYNOLDS 12/20/2015	
		MFG APRVL: --	
		QA APRVL: C. KOWALCZYK 12/20/2015	
		MKT APRVL: M.BAILLY 12/20/2015	
		PROD FAM: --	
		DRAWING NO	
		REV	
		PROJECT #: LM15085	
		SIZE	
		SC210991	
		DOCUMENT TYPE: SALES	
		B	
		SHEET 13 OF 15	
		D	

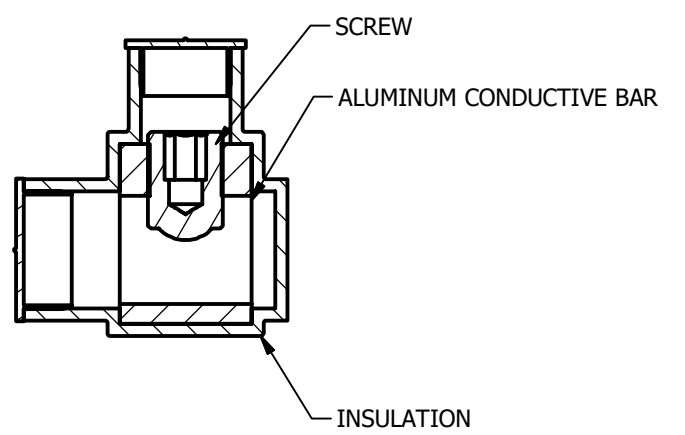
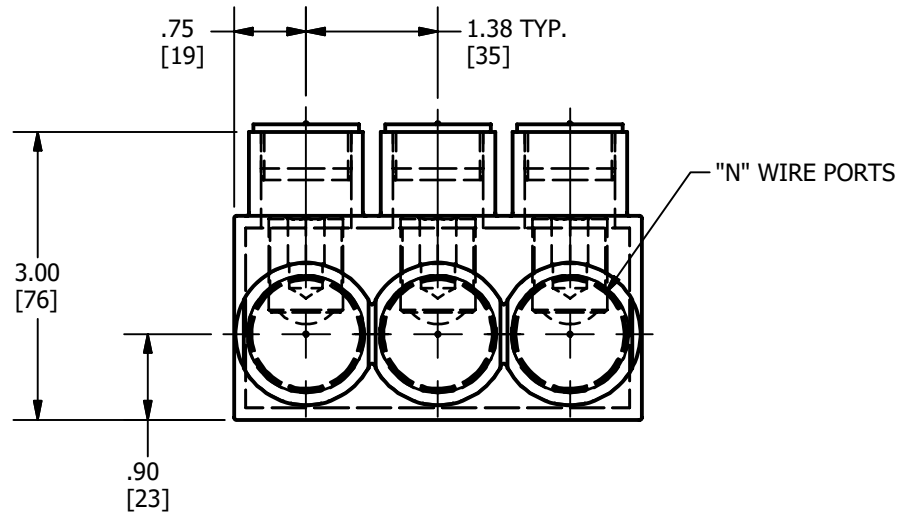


CATALOG NUMBER	WIRE RANGE	L	N	HEX KEY	STRIP LENGTH +/-1/32	TORQUE, IN-LBS
BIBS7503	#2-750 CLASS B, C	4.000	3	3/8	1 7/16	375
BIBS7504		5.375	4			
BIBS7506		8.125	6			
BIBS7508		10.875	8			
BIBS75010		13.625	10			
BIBS75012		16.375	12			
BIBS75014		19.125	14			

REV	DATE	DESCRIPTION	ECO	BY	C'H'K.
D	01/19/2023	UPDATED AS PER MARKUP	230113026991	YR	RA

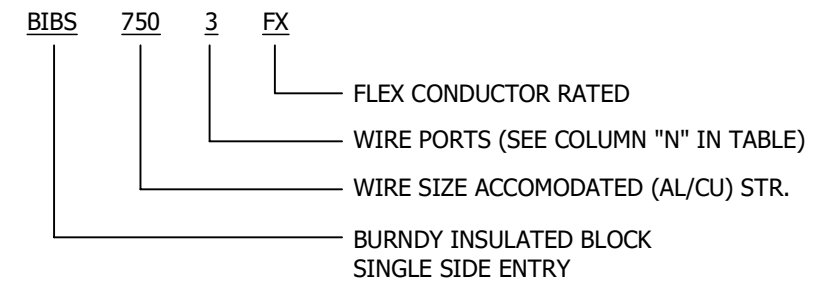


FEATURES	BENEFITS
PLASTISOL COVERED AL 6060-T6 BODY	SAVES TIME, LOWERS INSTALLATION COST, ELIMINATES TAPING
CLEAR PLASTISOL	ALLOWS VISUAL CONFIRMATION THAT CONDUCTOR IS PROPERLY INSERTED
OXIDE-INHIBITOR IS PREFILLED	INHIBITS MOISTURE AND CONTAMINANTS FROM ENTERING THE CONTACT AREA
RANGE-TAKING IN BOTH CODE AND FLEX	REDUCES THE NUMBER OF CONNECTORS CARRIED IN INVENTORY
WIRE AND SCREW PORT COVERS	PROTECTS AGAINST CONTAMINATION AND ACCIDENTAL CONTACT OF ENERGIZED PARTS.



NOTES:

- DIMENSIONS IN BRACKETS [] ARE IN MILLIMETERS ROUNDED OFF TO THE NEAREST MILLIMETER, UNLESS OTHERWISE SPECIFIED AND ARE FOR REFERENCE ONLY.
- THIS DRAWING TO BE INTERPRETED PER ASME Y14.5M-2009.
- MATERIAL: BODY - TIN PLATED ALUMINUM
SCREW - CLEAR COATED ALUMINUM
INSULATION - PLASTISOL
CAPS - POLYETHYLENE
- OPERATING TEMPERATURE - -40°C TO 135°C.
- VOLTAGE RATING - 600 V.
- AMPERAGE RATING - CONNECTORS ARE RATED AL9CU AND ARE INTENDED FOR USE AT AMPACITIES NOT GREATER THAN THOSE FOR A 90°C-RATED CONDUCTOR.

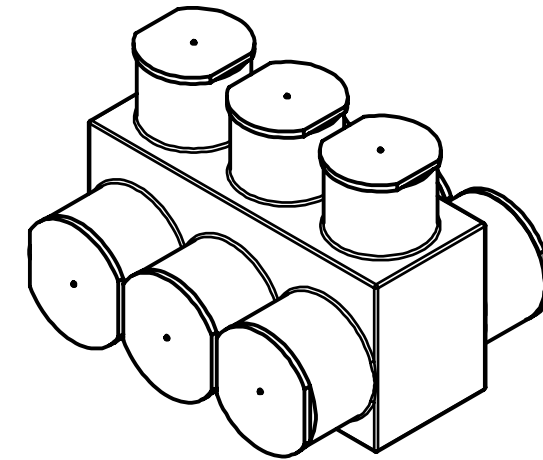
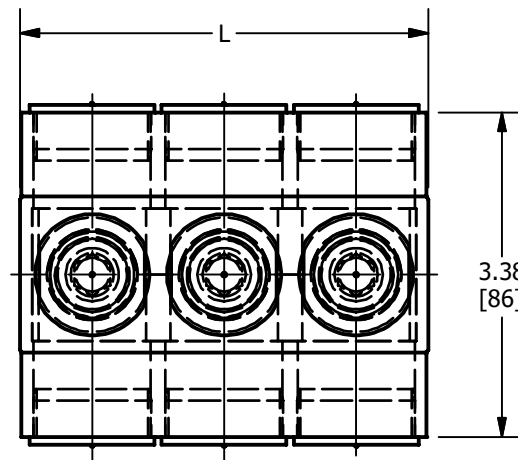


TO ORDER BURNDY® PRODUCTS CALL UNITED STATES 1-800-346-4175 (LONDONDERRY, NH) CANADA: 1-800-387-6487 FOR PRODUCT INFO: http://www.burndy.com	FULLY INSULATED DISTRIBUTION BLOCKS-UNITAP™ ITEM NO: SEE TABLE CAT. NO: SEE TABLE	
	DRAWN BY: T.REYNOLDS 08/14/2014 CHECKER: T.REYNOLDS 08/27/2014 DSN APRVL: T.REYNOLDS 12/20/2015 MFG APRVL: -- QA APRVL: C. KOWALCZYK 12/20/2015 MKT APRVL: M.BAILLY 12/20/2015 PROD FAM: --	PROJECT #: LM15085 DOCUMENT TYPE: SALES REL LEVEL: Released

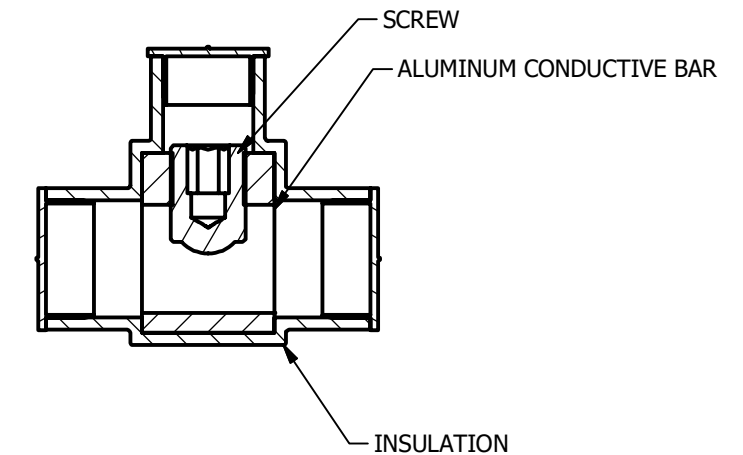
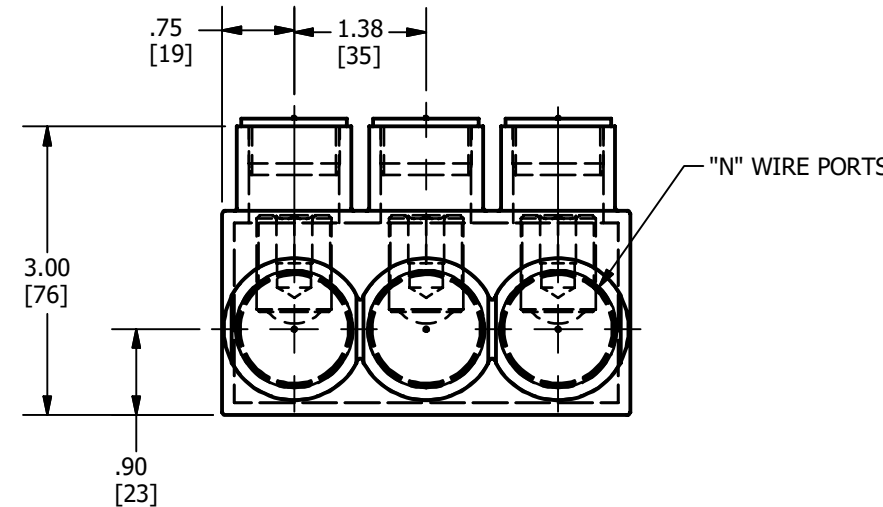


CATALOG NUMBER	WIRE RANGE	L	N	HEX KEY	STRIP LENGTH +/-1/32	TORQUE, IN-LBS
BIBD7502	#2-750 CLASS B, C	2.625	2	3/8	1 7/16	375
BIBD7503		4.000	3			
BIBD7504		5.375	4			
BIBD7506		8.125	6			
BIBD7508		10.875	8			
BIBD75010		13.625	10			
BIBD75012		16.375	12			
BIBD75014	19.125	14				

REV	DATE	DESCRIPTION	ECO	BY	C'H'K.
D	01/19/2023	UPDATED AS PER MARKUP	230113026991	YR	RA

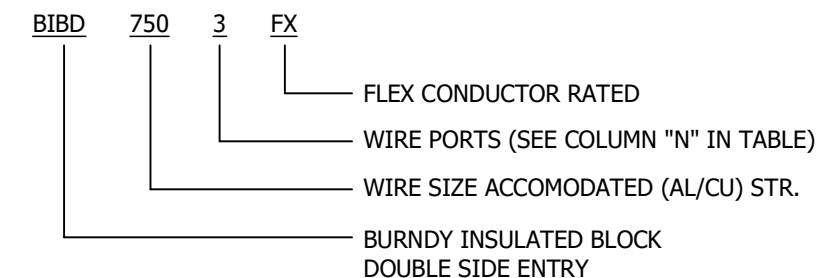


FEATURES	BENEFITS
PLASTISOL COVERED AL 6060-T6 BODY	SAVES TIME, LOWERS INSTALLATION COST, ELIMINATES TAPING
CLEAR PLASTISOL	ALLOWS VISUAL CONFIRMATION THAT CONDUCTOR IS PROPERLY INSERTED
OXIDE-INHIBITOR IS PREFILLED	INHIBITS MOISTURE AND CONTAMINANTS FROM ENTERING THE CONTACT AREA
RANGE-TAKING IN BOTH CODE AND FLEX	REDUCES THE NUMBER OF CONNECTORS CARRIED IN INVENTORY
WIRE AND SCREW PORT COVERS	PROTECTS AGAINST CONTAMINATION AND ACCIDENTAL CONTACT OF ENERGIZED PARTS.



NOTES:

- DIMENSIONS IN BRACKETS [] ARE IN MILLIMETERS ROUNDED OFF TO THE NEAREST MILLIMETER, UNLESS OTHERWISE SPECIFIED AND ARE FOR REFERENCE ONLY.
- THIS DRAWING TO BE INTERPRETED PER ASME Y14.5M-2009.
- MATERIAL: BODY - TIN PLATED ALUMINUM
SCREW - CLEAR COATED ALUMINUM
INSULATION - PLASTISOL
CAPS - POLYETHOLENE
- OPERATING TEMPERATURE - -40°C TO 135°C.
- VOLTAGE RATING - 600 V.
- AMPERAGE RATING - CONNECTORS ARE RATED AL9CU AND ARE INTENDED FOR USE AT AMPACITIES NOT GREATER THAN THOSE FOR A 90°C-RATED CONDUCTOR.



TO ORDER BURNDY® PRODUCTS CALL		FULLY INSULATED DISTRIBUTION BLOCKS-UNITAP™	
UNITED STATES 1-800-346-4175 (LONDONDERRY, NH)		ITEM NO: SEE TABLE	
CANADA: 1-800-387-6487		CAT. NO: SEE TABLE	
FOR PRODUCT INFO: http://www.burndy.com		DRAWN BY: T.REYNOLDS 08/14/2014	
		CHECKER: T.REYNOLDS 08/27/2014	
		DSN APRVL: T.REYNOLDS 12/20/2015	
		MFG APRVL: --	
		QA APRVL: C.KOWALCZYK 12/20/2015	
		MKT APRVL: M.BAILLY 12/20/2015	
		PROD FAM: --	
		DRAWING NO	
		REV	
		PROJECT #: LM15085	
		SIZE	
		SC210991	
		DOCUMENT TYPE: SALES	
		B	
		SHEET 15 OF 15	
		D	

