

## General Accessories

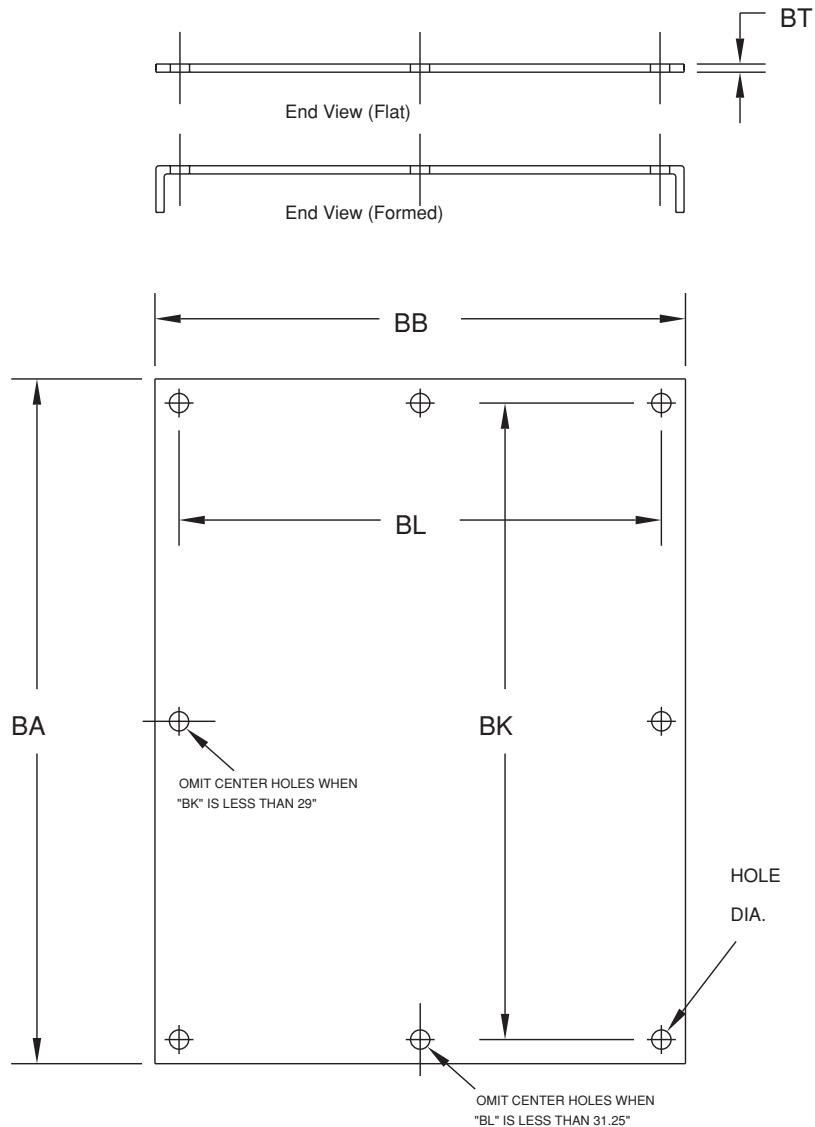
### Back Panels



#### Back Panels

CATALOG SUFFIX	MATERIAL	GRADE	FINISH	MISC.
AL	Aluminum	3003 H14	None	
SS	Stainless Steel	304	None	
FG	Fiberglass			UL94-V0
CS	Carbon Steel	1008/1010	Painted White Enamel	

Note: Available for all product families unless otherwise specified



## Enclosure Specific Accessories

### Typical Series Designators: DS, J, JCC, RJ, CL, PC, F Back Panel Dimensions

SIZE ID NUMBER	BA	BB	BK	BL	BT (AL)	BT (FG)	BT (SS)	BT (CS)	PANEL TYPE	HOLE DIA.	# OF HOLES	Weight (Aluminum) Suffix: AL	Weight (Fiberglass) Suffix: FG	Weight (Stainless) Suffix: SS	Weight (Carbon Steel) Suffix: CS
BP64	4.88 (124)	2.88 (73)	4.25 (108)	2.25 (57)	.080 (2)	.125 (3)	.060 (2)	.075 (2)	Flat	.25 (6)	4	2 oz.	2 oz.	5 oz.	6 oz.
BP66	4.88 (124)	4.88 (124)	4.25 (108)	4.25 (108)	.080 (2)	.125 (3)	.060 (2)	.075 (2)	Flat	.25 (6)	4	3 oz.	3 oz.	6 oz.	8 oz.
BP76	6 (152)	4.88 (124)	5.38 (137)	4.25 (108)	.080 (2)	.125 (3)	.060 (2)	.075 (2)	Flat	.25 (6)	4	4 oz.	4 oz.	9 oz.	10 oz.
BP86	6.88 (175)	4.88 (124)	6.25 (159)	4.25 (108)	.080 (2)	.125 (3)	.060 (2)	.075 (2)	Flat	.25 (6)	4	4 oz.	4 oz.	12 oz.	12 oz.
BP88	6.88 (175)	6.88 (175)	6.25 (159)	6.25 (159)	.080 (2)	.125 (3)	.060 (2)	.075 (2)	Flat	.25 (6)	4	5 oz.	5 oz.	15 oz.	15 oz.
BP96	8.25 (210)	4.88 (124)	7.63 (194)	4.25 (108)	.080 (2)	.125 (3)	.060 (2)	.075 (2)	Flat	.25 (6)	4	5 oz.	5 oz.	12 oz.	14 oz.
BP108	8.88 (225)	6.88 (175)	8.25 (210)	6.25 (159)	.080 (2)	.125 (3)	.060 (2)	.075 (2)	Flat	.25 (6)	4	8 oz.	8 oz.	1.2 lb.	1.3 lb.
BP1210	10.88 (276)	8.88 (225)	10.25 (260)	8.25 (210)	.080 (2)	.125 (3)	.060 (2)	.075 (2)	Flat	.25 (6)	4	12 oz.	14 oz.	1.9 lb.	2.1 lb.
BP1212	10.88 (276)	10.88 (276)	10.25 (260)	10.25 (260)	.080 (2)	.125 (3)	.060 (2)	.075 (2)	Flat	.25 (6)	4	1 lb.	1.1 lb.	2.3 lb.	2.4 lb.
BP1407	12.88 (327)	5.88 (149)	12.25 (311)	5.25 (133)	.080 (2)	.125 (3)	.060 (2)	.075 (2)	Flat	.25 (6)	4	14 oz.	14 oz.	2 lb.	2.1 lb.
BP1412	12.88 (327)	10.88 (276)	12.25 (311)	10.25 (260)	.080 (2)	.125 (3)	.060 (2)	.075 (2)	Flat	.25 (6)	4	1.125 lb.	1.3 lb.	2.8 lb.	3 lb.
BP1614	14.88 (378)	12.88 (327)	14.25 (362)	12.25 (311)	.080 (2)	.125 (3)	.060 (2)	.075 (2)	Flat	.25 (6)	4	1.5 lb.	1.4 lb.	3.8 lb.	4.1 lb.
BP1816	16.88 (429)	14.88 (378)	16.25 (413)	14.25 (362)	.080 (2)	.125 (3)	.060 (2)	.075 (2)	Flat	.25 (6)	4	1.94 lb.	2 lb.	5.5 lb.	5.4 lb.
BPJ2016	18.88 (479)	14.88 (378)	18.25 (463)	14.25 (362)	.080 (2)	.125 (3)	.060 (2)	.075 (2)	Flat	.25 (6)	4	2.25 lb.	2.1 lb.	6.1 lb.	6.1 lb.

Caution: Metric units are for reference do not convert.

Note: When specifying combine Size ID Number and Material Suffix

Example: BP64SS for 6x4 Stainless Steel Back Panel

### Typical Series Designators: C - Disconnect Back Panel Dimensions

SIZE ID NUMBER	BA	BB	BK	BL	Panel Thickness BT	Panel Type	Hole Dia.	# of Holes	Weight (Steel) (suffix: CS)	Fits Typical Enclosure Size
BP2016CD	16.88 (429)	13.38 (340)	15.25 (387)	11.25 (286)	0.13 (2)	Formed	0.31 (8)	4	7.3 lbs.	20 x 16 Disconnect Enclosure
BP2412CD	20.88 (530)	9.38 (238)	19.25 (489)	7.25 (184)	0.13 (2)	Formed	0.50 (13)	4	6.5 lbs.	24 x 12 Disconnect Enclosure
BP2424CD	20.88 (530)	21.38 (543)	19.25 (489)	19.25 (489)	0.13 (2)	Formed	0.50 (13)	4	14 lbs.	24 x 24 Disconnect Enclosure
BP3024CD	26.88 (683)	21.38 (543)	25.25 (641)	19.25 (489)	0.13 (2)	Formed	0.50 (13)	4	19 lbs.	30 x 24 Disconnect Enclosure
BP3630CD	32.88 (835)	27.38 (695)	31.25 (794)	25.25 (641)	0.13 (2)	Formed	0.50 (13)	6	29 lbs.	36 x 30 Disconnect Enclosure

Caution: Metric units are for reference do not convert.

Note: Carbon Steel (CS) available only

## General Accessories

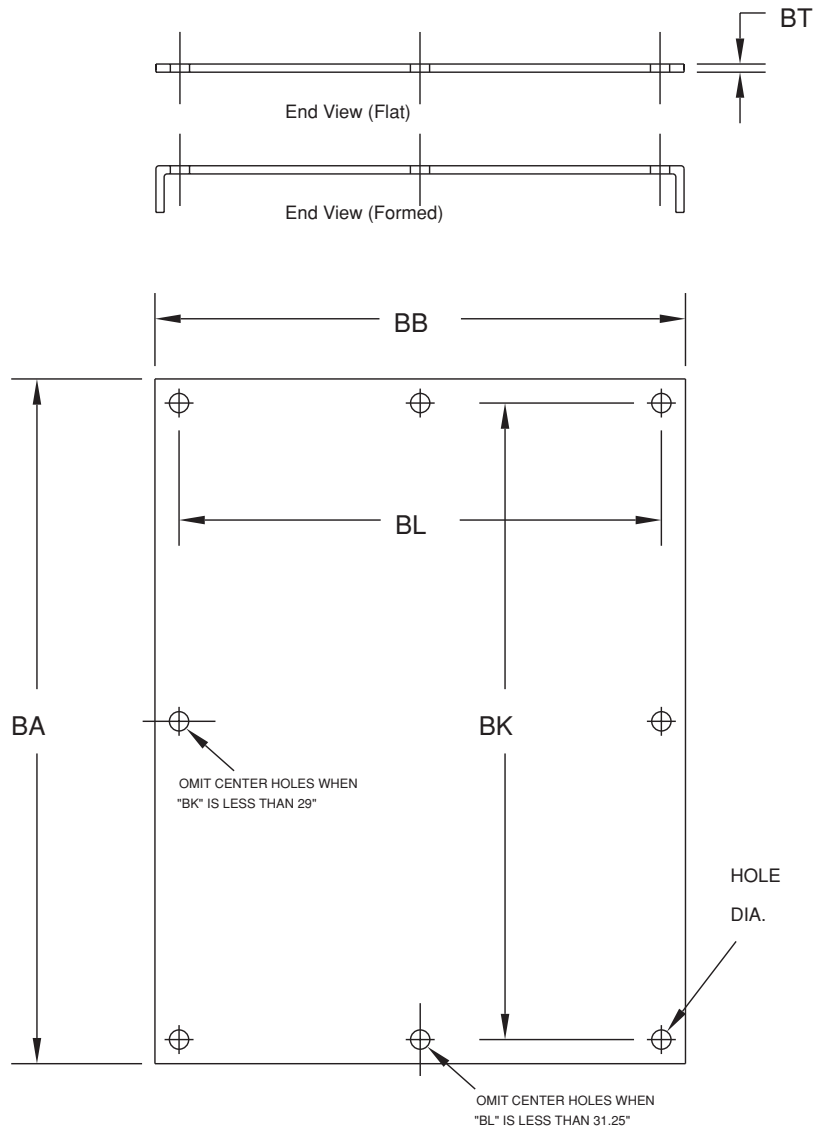
### Back Panels



#### Back Panels

CATALOG SUFFIX	MATERIAL	GRADE	FINISH	MISC.
AL	Aluminum	3003 H14	None	
SS	Stainless Steel	304	None	
FG	Fiberglass			UL94-V0
CS	Carbon Steel	1008/1010	Painted White Enamel	

Note: Available for all product families unless otherwise specified



## Enclosure Specific Accessories

### Typical Series Designators: DS, J, JCC, RJ, CL, PC, F Back Panel Dimensions

SIZE ID NUMBER	BA	BB	BK	BL	BT (AL)	BT (FG)	BT (SS)	BT (CS)	PANEL TYPE	HOLE DIA.	# OF HOLES	Weight (Aluminum) Suffix: AL	Weight (Fiberglass) Suffix: FG	Weight (Stainless) Suffix: SS	Weight (Carbon Steel) Suffix: CS
BP64	4.88 (124)	2.88 (73)	4.25 (108)	2.25 (57)	.080 (2)	.125 (3)	.060 (2)	.075 (2)	Flat	.25 (6)	4	2 oz.	2 oz.	5 oz.	6 oz.
BP66	4.88 (124)	4.88 (124)	4.25 (108)	4.25 (108)	.080 (2)	.125 (3)	.060 (2)	.075 (2)	Flat	.25 (6)	4	3 oz.	3 oz.	6 oz.	8 oz.
BP76	6 (152)	4.88 (124)	5.38 (137)	4.25 (108)	.080 (2)	.125 (3)	.060 (2)	.075 (2)	Flat	.25 (6)	4	4 oz.	4 oz.	9 oz.	10 oz.
BP86	6.88 (175)	4.88 (124)	6.25 (159)	4.25 (108)	.080 (2)	.125 (3)	.060 (2)	.075 (2)	Flat	.25 (6)	4	4 oz.	4 oz.	12 oz.	12 oz.
BP88	6.88 (175)	6.88 (175)	6.25 (159)	6.25 (159)	.080 (2)	.125 (3)	.060 (2)	.075 (2)	Flat	.25 (6)	4	5 oz.	5 oz.	15 oz.	15 oz.
BP96	8.25 (210)	4.88 (124)	7.63 (194)	4.25 (108)	.080 (2)	.125 (3)	.060 (2)	.075 (2)	Flat	.25 (6)	4	5 oz.	5 oz.	12 oz.	14 oz.
BP108	8.88 (225)	6.88 (175)	8.25 (210)	6.25 (159)	.080 (2)	.125 (3)	.060 (2)	.075 (2)	Flat	.25 (6)	4	8 oz.	8 oz.	1.2 lb.	1.3 lb.
BP1210	10.88 (276)	8.88 (225)	10.25 (260)	8.25 (210)	.080 (2)	.125 (3)	.060 (2)	.075 (2)	Flat	.25 (6)	4	12 oz.	14 oz.	1.9 lb.	2.1 lb.
BP1212	10.88 (276)	10.88 (276)	10.25 (260)	10.25 (260)	.080 (2)	.125 (3)	.060 (2)	.075 (2)	Flat	.25 (6)	4	1 lb.	1.1 lb.	2.3 lb.	2.4 lb.
BP1407	12.88 (327)	5.88 (149)	12.25 (311)	5.25 (133)	.080 (2)	.125 (3)	.060 (2)	.075 (2)	Flat	.25 (6)	4	14 oz.	14 oz.	2 lb.	2.1 lb.
BP1412	12.88 (327)	10.88 (276)	12.25 (311)	10.25 (260)	.080 (2)	.125 (3)	.060 (2)	.075 (2)	Flat	.25 (6)	4	1.125 lb.	1.3 lb.	2.8 lb.	3 lb.
BP1614	14.88 (378)	12.88 (327)	14.25 (362)	12.25 (311)	.080 (2)	.125 (3)	.060 (2)	.075 (2)	Flat	.25 (6)	4	1.5 lb.	1.4 lb.	3.8 lb.	4.1 lb.
BP1816	16.88 (429)	14.88 (378)	16.25 (413)	14.25 (362)	.080 (2)	.125 (3)	.060 (2)	.075 (2)	Flat	.25 (6)	4	1.94 lb.	2 lb.	5.5 lb.	5.4 lb.
BPJ2016	18.88 (479)	14.88 (378)	18.25 (463)	14.25 (362)	.080 (2)	.125 (3)	.060 (2)	.075 (2)	Flat	.25 (6)	4	2.25 lb.	2.1 lb.	6.1 lb.	6.1 lb.

Caution: Metric units are for reference do not convert.

Note: When specifying combine Size ID Number and Material Suffix

Example: BP64SS for 6x4 Stainless Steel Back Panel

### Typical Series Designators: C - Disconnect Back Panel Dimensions

SIZE ID NUMBER	BA	BB	BK	BL	Panel Thickness BT	Panel Type	Hole Dia.	# of Holes	Weight (Steel) (suffix: CS)	Fits Typical Enclosure Size
BP2016CD	16.88 (429)	13.38 (340)	15.25 (387)	11.25 (286)	0.13 (2)	Formed	0.31 (8)	4	7.3 lbs.	20 x 16 Disconnect Enclosure
BP2412CD	20.88 (530)	9.38 (238)	19.25 (489)	7.25 (184)	0.13 (2)	Formed	0.50 (13)	4	6.5 lbs.	24 x 12 Disconnect Enclosure
BP2424CD	20.88 (530)	21.38 (543)	19.25 (489)	19.25 (489)	0.13 (2)	Formed	0.50 (13)	4	14 lbs.	24 x 24 Disconnect Enclosure
BP3024CD	26.88 (683)	21.38 (543)	25.25 (641)	19.25 (489)	0.13 (2)	Formed	0.50 (13)	4	19 lbs.	30 x 24 Disconnect Enclosure
BP3630CD	32.88 (835)	27.38 (695)	31.25 (794)	25.25 (641)	0.13 (2)	Formed	0.50 (13)	6	29 lbs.	36 x 30 Disconnect Enclosure

Caution: Metric units are for reference do not convert.

Note: Carbon Steel (CS) available only