

Project:

Type:

Prepared By:

Date:



UPC: 019813750477

Features and Benefits

- Energy efficient replacement for incandescent and halogen reflector lamps
- Constructed from durable plastic which lowers risk of breakage
- Rated for use in enclosed and open fixtures in dry or damp locations
- Frosted lens produces smooth diffuse light
- Longer lifespan compared to legacy equivalents minimizes replacement and maintenance costs
- ENERGY STAR Compliant
- Dimmable with common dimmer types (see Dimmer Compatibility List)

Technical Specifications

Performance

Product Type:

Reflector

Input Wattage:

13W

Lumens:

950lm

Efficacy:

73lm/W

L70 Lifespan:

25,000-Hour LED lifespan based on IES LM-70 results

Wattage Equivalency:

75W

LED Characteristics

Color Accuracy (CRI):

80

Color Temperature:

3000K

Electrical

Power Factor:

>0.9

Dimmable:

Yes, down to 20%

Input Voltage:

120V

Operating Temperature:

-20°C to 40°C

Construction

Bulb Shape:

BR40

Enclosure Material:

Plastic

Housing Finish:

White

Lens Finish:

Frosted

Installation

Base Type:

E26 Edison

Optical

Beam Angle:

110°

Other

Technology EQ:

Incandescent

Compliance

UL Listed:

Yes

Environment:

Damp / Enclosed

Energy Star ID:

2329453

Rohs:

Mercury and UV free. RoHS-compliant components.

FCC:

Complies with Part 15B of the FCC Rules

Technical Specifications (continued)

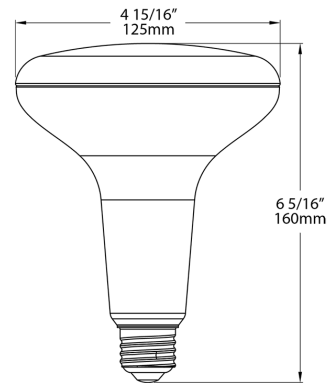
Certification Model Number:

BR40-13-830-DIM

Case and Pallet Dimensions

	QTY	LENGTH (in)	WIDTH (in)	HEIGHT (in)
CASE	6	15.8	10.6	7
PALLET	360	47.2	37	34.8

Dimension



Light Distribution

