

O-Z/Gedney Set Screw Type Aluminum Conduit Bodies — Types LB and T

For use with EMT conduit

- Includes a slotted hex head steel hardened cup-point set screw
- Tapered, threaded hubs
- Made of copper-free aluminum with aluminum enamel
- UL® Listed and CSA Certified



LB-100A-TW



O-Z/Gedney Aluminum Conduit Bodies — Types LB and T

For use with IMC and rigid conduit

- Features threaded, tapered hubs
- Raintight when used with gasketed covers
- Made of copper-free aluminum with aluminum enamel
- UL Listed and CSA Certified



T-125A

LB-125A



WESCO Part No.	Mfr.'s Model No.	Configuration	Hub Size (in.)	No. of Hubs	Hub Placement	Access Opening
Type LB Conduit Bodies						
783126-32941	LB-50A-TW	LB	1/2	2	90°	Back
783126-32942	LB-75A-TW	LB	3/4	2	90°	Back
783126-32943	LB-100A-TW	LB	1	2	90°	Back
783126-32944	LB-125A-TW	LB	1 1/4	2	90°	Back
783126-32945	LB-150A-TW	LB	1 1/2	2	90°	Back
783126-32946	LB-200A-TW	LB	2	2	90°	Back
783126-32947	LB-250A-TW	LB	2 1/2	2	90°	Back
783126-32948	LB-300A-TW	LB	3	2	90°	Back
783126-32949	LB-350A-TW	LB	3 1/2	2	90°	Back
783126-32950	LB-400A-TW	LB	4	2	90°	Back
Type T Conduit Bodies						
783126-51861	T-50A-TW	T	1/2	3	Tee	Side
783126-51862	T-75A-TW	T	3/4	3	Tee	Side
783126-51863	T-100A-TW	T	1	3	Tee	Side
783126-51864	T-125A-TW	T	1 1/4	3	Tee	Side
783126-50865	T-150A-TW	T	1 1/2	3	Tee	Side
783126-51866	T-200A-TW	T	2	3	Tee	Side

WESCO Part No.	Mfr.'s Model No.	Configuration	Hub Size (in.)	No. of Hubs	Hub Placement	Access Opening
Type LB Conduit Bodies						
783126-32921	LB-50A	LB	1/2	2	90°	Back
783126-32922	LB-75A	LB	3/4	2	90°	Back
783126-32923	LB-100A	LB	1	2	90°	Back
783126-32924	LB-125A	LB	1 1/4	2	90°	Back
783126-32925	LB-150A	LB	1 1/2	2	90°	Back
783126-32926	LB-200A	LB	2	2	90°	Back
783126-32927	LB-250A	LB	2 1/2	2	90°	Back
783126-32928	LB-300A	LB	3	2	90°	Back
783126-32929	LB-350A	LB	3 1/2	2	90°	Back
783126-32930	LB-400A	LB	4	2	90°	Back
Type T Conduit Bodies						
783126-51840	T-50A	T	1/2	3	Tee	Side
783126-51841	T-75A	T	3/4	3	Tee	Side
783126-51842	T-100A	T	1	3	Tee	Side
783126-51843	T-125A	T	1 1/4	3	Tee	Side
783126-51844	T-150A	T	1 1/2	3	Tee	Side
783126-51845	T-200A	T	2	3	Tee	Side

O-Z/Gedney Aluminum Conduit Bodies — Types LL, LR and C

For use with IMC and rigid conduit

- Features threaded, tapered hubs
- Raintight when used with gasketed covers
- Made of copper-free aluminum with aluminum enamel
- UL Listed and CSA Certified



LL-100A

C-125A



WESCO Part No.	Mfr.'s Model No.	Configuration	Hub Size (in.)	No. of Hubs	Hub Placement	Access Opening
Type LL Conduit Bodies						
783126-37941	LL-50A	LL	1/2	2	90°	Left Side
783126-37942	LL-75A	LL	3/4	2	90°	Left Side
783126-37943	LL-100A	LL	1	2	90°	Left Side
783126-37944	LL-125A	LL	1 1/4	2	90°	Left Side
783126-37945	LL-150A	LL	1 1/2	2	90°	Left Side
783126-37946	LL-200A	LL	2	2	90°	Left Side
Type LR Conduit Bodies						
783126-38761	LR-50A	LR	1/2	2	90°	Right Side
783126-38781	LR-75A	LR	3/4	2	90°	Right Side
783126-38801	LR-100A	LR	1	2	90°	Right Side
783126-38821	LR-125A	LR	1 1/4	2	90°	Right Side
783126-38841	LR-150A	LR	1 1/2	2	90°	Right Side
783126-38861	LR-200A	LR	2	2	90°	Right Side
Type C Conduit Bodies						
783126-07420	C-50A	C	1/2	2	Straight	Side
783126-07421	C-75A	C	3/4	2	Straight	Side
783126-07422	C-100A	C	1	2	Straight	Side
783126-07423	C-125A	C	1 1/4	2	Straight	Side
783126-07424	C-150A	C	1 1/2	2	Straight	Side
783126-07425	C-200A	C	2	2	Straight	Side
783126-07426	C-250A	C	2 1/2	2	Straight	Side
783126-07427	C-300A	C	3	2	Straight	Side
783126-07428	C-350A	C	3 1/2	2	Straight	Side
783126-07429	C-400A	C	4	2	Straight	Side

Domed Top Cover for Use with O-Z/Gedney Aluminum Conduit Bodies — Type BS

- Made of durable stamped aluminum
- Includes stainless steel screws
- Screw-on type covers
- UL Listed and CSA Certified



WESCO Part No.	Mfr.'s Model No.	Trade Size (in.)	WESCO Part No.	Mfr.'s Model No.	Trade Size (in.)
783126-06010	BS-50A	1/2	783126-06015	BS-200A	2
783126-06011	BS-75A	3/4	783126-06016	BS-250A	2 1/2 and 3
783126-06012	BS-100A	1	783126-06017	BS-350A	3 1/2 and 4
783126-06013	BS-125A	1 1/4			

Solid Cover Sealing Gasket for Use with O-Z/Gedney Malleable Iron Conduit Bodies and Covers — Type SG and SGN

- Provides a worry-free, raintight seal when used with Type BS or BC-style covers
- Available as Type SG velbuna gaskets or Type SGN neoprene gaskets
- Screw-on type covers



SGN-100



WESCO Part No.	Mfr.'s Model No.	Trade Size (in.)	WESCO Part No.	Mfr.'s Model No.	Trade Size (in.)
Type SG Velbuna Cover Gaskets					
783126-49255	SG-50	1/2	783126-50300	SGN-50	1/2
783126-49260	SG-75	3/4	783126-50305	SGN-75	3/4
783126-49265	SG-100	1	783126-50310	SGN-100	1
783126-49270	SG-125	1 1/4	783126-50315	SGN-125	1 1/4
783126-49275	SG-200	2	783126-50320	SGN-200	2
783126-49280	SG-250	2 1/2 and 3	783126-50325	SGN-250	2 1/2 and 3
783126-49285	SG-350	3 1/2 and 4	783126-50330	SGN-350	3 1/2 and 4





Conduit Bodies — O-Z/Gedney

WESCO® delivers

WESCO Part Nos. shown in **BOLD** are in stock and ready to ship.

■ O-Z/Gedney Set Screw Type Aluminum Conduit Bodies — Types LB and T

For use with EMT conduit

- Includes a slotted hex head steel hardened cup-point set screw
- Tapered, threaded hubs
- Made of copper-free aluminum with aluminum enamel
- UL® Listed and CSA Certified



OZGEDNEY

■ O-Z/Gedney Aluminum Conduit Bodies — Types LB and T

For use with IMC and rigid conduit

- Features threaded, tapered hubs
- Raintight when used with gasketed covers
- Made of copper-free aluminum with aluminum enamel
- UL Listed and CSA Certified



OZGEDNEY

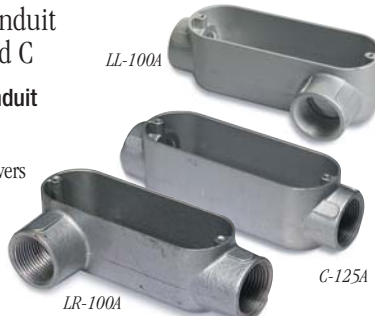
WESCO Part No.	Mfr.'s Model No.	Configuration	Hub Size (in.)	No. of Hubs	Hub Placement	Access Opening
Type LB Conduit Bodies						
783126-32941	LB-50A-TW	LB	½	2	90°	Back
783126-32942	LB-75A-TW	LB	¾	2	90°	Back
783126-32943	LB-100A-TW	LB	1	2	90°	Back
783126-32944	LB-125A-TW	LB	1¼	2	90°	Back
783126-32945	LB-150A-TW	LB	1½	2	90°	Back
783126-32946	LB-200A-TW	LB	2	2	90°	Back
783126-32947	LB-250A-TW	LB	2½	2	90°	Back
783126-32948	LB-300A-TW	LB	3	2	90°	Back
783126-32949	LB-350A-TW	LB	3½	2	90°	Back
783126-32950	LB-400A-TW	LB	4	2	90°	Back
Type T Conduit Bodies						
783126-51861	T-50A-TW	T	½	3	Tee	Side
783126-51862	T-75A-TW	T	¾	3	Tee	Side
783126-51863	T-100A-TW	T	1	3	Tee	Side
783126-51864	T-125A-TW	T	1¼	3	Tee	Side
783126-50865	T-150A-TW	T	1½	3	Tee	Side
783126-51866	T-200A-TW	T	2	3	Tee	Side

WESCO Part No.	Mfr.'s Model No.	Configuration	Hub Size (in.)	No. of Hubs	Hub Placement	Access Opening
Type LB Conduit Bodies						
783126-32921	LB-50A	LB	½	2	90°	Back
783126-32922	LB-75A	LB	¾	2	90°	Back
783126-32923	LB-100A	LB	1	2	90°	Back
783126-32924	LB-125A	LB	1¼	2	90°	Back
783126-32925	LB-150A	LB	1½	2	90°	Back
783126-32926	LB-200A	LB	2	2	90°	Back
783126-32927	LB-250A	LB	2½	2	90°	Back
783126-32928	LB-300A	LB	3	2	90°	Back
783126-32929	LB-350A	LB	3½	2	90°	Back
783126-32930	LB-400A	LB	4	2	90°	Back
Type T Conduit Bodies						
783126-51840	T-50A	T	½	3	Tee	Side
783126-51841	T-75A	T	¾	3	Tee	Side
783126-51842	T-100A	T	1	3	Tee	Side
783126-51843	T-125A	T	1¼	3	Tee	Side
783126-51844	T-150A	T	1½	3	Tee	Side
783126-51845	T-200A	T	2	3	Tee	Side

■ O-Z/Gedney Aluminum Conduit Bodies — Types LL, LR and C

For use with IMC and rigid conduit

- Features threaded, tapered hubs
- Raintight when used with gasketed covers
- Made of copper-free aluminum with aluminum enamel
- UL Listed and CSA Certified



OZGEDNEY

■ Domed Top Cover for Use with O-Z/Gedney Aluminum Conduit Bodies — Type BS

- Made of durable stamped aluminum
- Includes stainless steel screws
- Screw-on type covers
- UL Listed and CSA Certified



OZGEDNEY

WESCO Part No.	Mfr.'s Model No.	Trade Size (in.)	WESCO Part No.	Mfr.'s Model No.	Trade Size (in.)
783126-06010	BS-50A	½	783126-06015	BS-200A	2
783126-06011	BS-75A	¾	783126-06016	BS-250A	2½ and 3
783126-06012	BS-100A	1	783126-06017	BS-350A	3½ and 4
783126-06013	BS-125A	1¼			

■ Solid Cover Sealing Gasket for Use with O-Z/Gedney Malleable Iron Conduit Bodies and Covers — Type SG and SGN

- Provides a worry-free, raintight seal when used with Type BS or BC-style covers
- Available as Type SG velbuna gaskets or Type SGN neoprene gaskets
- Screw-on type covers



OZGEDNEY

WESCO Part No.	Mfr.'s Model No.	Trade Size (in.)	WESCO Part No.	Mfr.'s Model No.	Trade Size (in.)
Type SG Velbuna Cover Gaskets					
783126-49255	SG-50	½	783126-50300	SGN-50	½
783126-49260	SG-75	¾	783126-50305	SGN-75	¾
783126-49265	SG-100	1	783126-50310	SGN-100	1
783126-49270	SG-125	1¼	783126-50315	SGN-125	1¼
783126-49275	SG-200	2	783126-50320	SGN-200	2
783126-49280	SG-250	2½ and 3	783126-50325	SGN-250	2½ and 3
783126-49285	SG-350	3½ and 4	783126-50330	SGN-350	3½ and 4
Type SGN Neoprene Cover Gaskets					

