
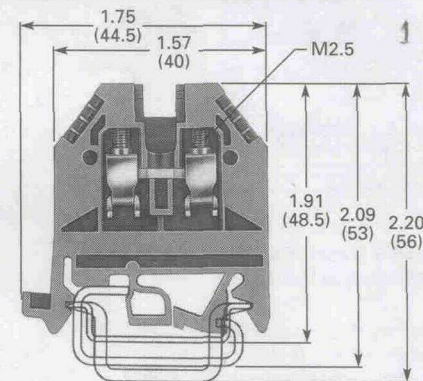
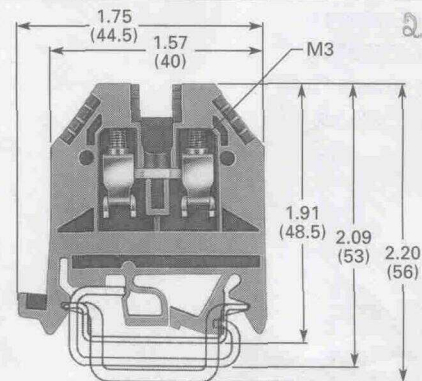


C383 Series

Single-Level Through-Feed

Table 55-3. Single-Level Through-Feed Product Selection

| Maximum Wire Size AWG/mm ²  | 12 AWG/2.5 mm ² 600V 22 – 12 AWG 20A 600V 24 – 12 AWG 25A Block Width 0.20" (5 mm) Wire Strip Length 0.35" (9 mm) | 10 AWG/4 mm ² 600V 22 – 10 AWG 30A 600V 20 – 10 AWG 40A Block Width 0.24" (6 mm) Wire Strip Length 0.35" (9 mm) | | | | |
|---|--|--|---------------|--|--|--|
| <ul style="list-style-type: none"> ■ Low profile ■ Wire range size 24 AWG to 3/0 AWG ■ Current ratings up to 175A ■ Universal mounting for 32 mm or 35 mm DIN rail ■ Dimensions in Inches (mm) |  |  | | | | |
| Description | Catalog Number | Price U.S. \$ | Standard Pack | Catalog Number | Price U.S. \$ | Standard Pack |
| Terminal block | C383RK25 ✓ | 1.35 | 100 | C383RK254 ✓ C383RK254W White C383RK254R Red C383RK254B Blue C383RK254Y Yellow C383RK254BK Black C383RK254G Green C383RK254OR Orange | 1.40 1.40 1.40 1.40 1.40 1.40 1.40 1.40 | 100 100 100 100 100 100 100 100 |

Accessories

| | | | | | | |
|--|--|---|--|--|---|--|
| DIN Rail 35 mm x 7.5 mm x 1m (slotted) 35 mm x 7.5 mm x 2m (solid) 35 mm x 15 mm x 2m (solid) 32 mm x 15 mm x 2m (solid) | MC382MA1 ① * C383TS35S C383TS3515 C383TS32 | 8.05 13.20 22.50 17.60 | 20 20 10 10 | MC382MA1 ① C383TS35S C383TS3515 C383TS32 | 8.05 13.20 22.50 17.60 | 20 20 10 10 |
| End Stop 35 mm DIN rail 35 mm DIN rail (plastic) 32 mm DIN rail | C383ES35 C383ES35P C383ES32 | 1.65 .97 .64 | 100 100 100 | C383ES35 C383ES35P C383ES32 | 1.65 .97 .64 | 100 100 100 |
| End plate Partition plate | C383AP4 C383TW254 ✓ | .45 .60 | 10 10 | C383AP4 C383TW254 | .45 .60 | 10 10 |
| Cross Connector Assembly 2 terminals 3 terminals 4 terminals Bar for custom lengths Bar length can be custom sized to fit specific customer applications | C383TJ9 C383TJ10 C383TJ11 C383TJ90 (80 terminals) | .93 1.25 1.75 44.75 | 10 10 10 10 | C383TJ1 C383TJ2 C383TJ3 C383TJ70 (70 terminals) | .93 1.35 1.75 37.50 | 10 10 10 10 |
| Insulated Jumper Comb (12 Terminals) Length can be custom sized to fit specific customer applications | — | — | — | C383JC412 | 4.65 | 100 |
| Switchable connecting link Stud bolt for test plug Test plug Deadfront cover Snap-in partition Snap-in cover w/warning symbol Rapid mounting tool | C383SCL3 C383STP25 ✓ C383TP23 C383D25 C383TS25 C383WS25 C383RMT4 | 1.35 .30 4.10 .30 .35 .80 .01 | 50 50 50 100 10 10 1 | C383SCL2 C383STP4 C383TP23 ✓ C383D4 C383TS4 C383WS4 C383RMT4 | 1.35 .18 4.10 .30 .35 .80 .01 | 50 10 50 100 10 10 1 |


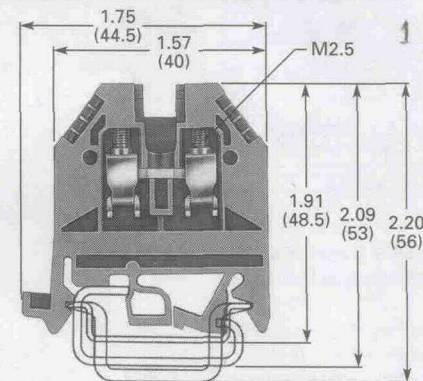
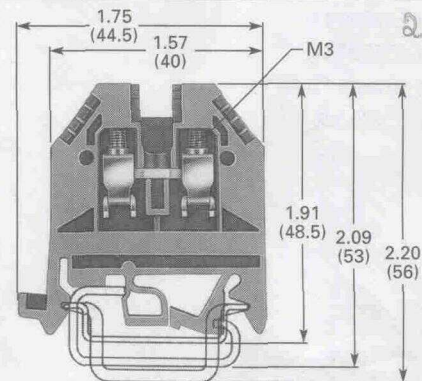
① 20-piece bulk pack available, use MC382MA1-20.

Additional DIN Rail Page 55-34
Marking Options Pages 55-35 – 55-37
Discount Symbol 1CD1

C383 Series

Single-Level Through-Feed

Table 55-3. Single-Level Through-Feed Product Selection

| Maximum Wire Size AWG/mm ²  | 12 AWG/2.5 mm ² 600V 22 – 12 AWG 20A 600V 24 – 12 AWG 25A Block Width 0.20" (5 mm) Wire Strip Length 0.35" (9 mm) | 10 AWG/4 mm ² 600V 22 – 10 AWG 30A 600V 20 – 10 AWG 40A Block Width 0.24" (6 mm) Wire Strip Length 0.35" (9 mm) | | | | |
|---|--|--|---------------|--|--|--|
| <ul style="list-style-type: none"> Low profile Wire range size 24 AWG to 3/0 AWG Current ratings up to 175A Universal mounting for 32 mm or 35 mm DIN rail Dimensions in Inches (mm) |  |  | | | | |
| Description | Catalog Number | Price U.S. \$ | Standard Pack | Catalog Number | Price U.S. \$ | Standard Pack |
| Terminal block | C383RK25 ✓ | 1.35 | 100 | C383RK254 C383RK254W ✓ White C383RK254R ✓ Red C383RK254B ✓ Blue C383RK254Y ✓ Yellow C383RK254BK ✓ Black C383RK254G ✓ Green C383RK254OR ✓ Orange | 1.40 1.40 1.40 1.40 1.40 1.40 1.40 1.40 | 100 100 100 100 100 100 100 100 |

Accessories

| | | | | | | |
|--|--|---|--|--|---|--|
| DIN Rail 35 mm x 7.5 mm x 1m (slotted) 35 mm x 7.5 mm x 2m (solid) 35 mm x 15 mm x 2m (solid) 32 mm x 15 mm x 2m (solid) | MC382MA1 ① * C383TS35S C383TS3515 C383TS32 | 8.05 13.20 22.50 17.60 | 20 20 10 10 | MC382MA1 ① C383TS35S C383TS3515 C383TS32 | 8.05 13.20 22.50 17.60 | 20 20 10 10 |
| End Stop 35 mm DIN rail 35 mm DIN rail (plastic) 32 mm DIN rail | C383ES35 C383ES35P C383ES32 | 1.65 .97 .64 | 100 100 100 | C383ES35 C383ES35P C383ES32 | 1.65 .97 .64 | 100 100 100 |
| End plate Partition plate | C383AP4 C383TW254 ✓ | .45 .60 | 10 10 | C383AP4 C383TW254 | .45 .60 | 10 10 |
| Cross Connector Assembly 2 terminals 3 terminals 4 terminals Bar for custom lengths Bar length can be custom sized to fit specific customer applications | C383TJ9 C383TJ10 C383TJ11 C383TJ90 (80 terminals) | .93 1.25 1.75 44.75 | 10 10 10 10 | C383TJ1 C383TJ2 C383TJ3 C383TJ70 (70 terminals) | .93 1.35 1.75 37.50 | 10 10 10 10 |
| Insulated Jumper Comb (12 Terminals) Length can be custom sized to fit specific customer applications | — | — | — | C383JC412 | 4.65 | 100 |
| Switchable connecting link Stud bolt for test plug Test plug Deadfront cover Snap-in partition Snap-in cover w/warning symbol Rapid mounting tool | C383SCL3 C383STP25 ✓ C383TP23 C383D25 C383TS25 C383WS25 C383RMT4 | 1.35 .30 4.10 .30 .35 .80 .01 | 50 50 50 100 10 10 1 | C383SCL2 C383STP4 C383TP23 ✓ C383D4 C383TS4 C383WS4 C383RMT4 | 1.35 .18 4.10 .30 .35 .80 .01 | 50 10 50 100 10 10 1 |

① 20-piece bulk pack available, use MC382MA1-20.

Additional DIN Rail Page 55-34
Marking Options Pages 55-35 – 55-37
Discount Symbol 1CD1