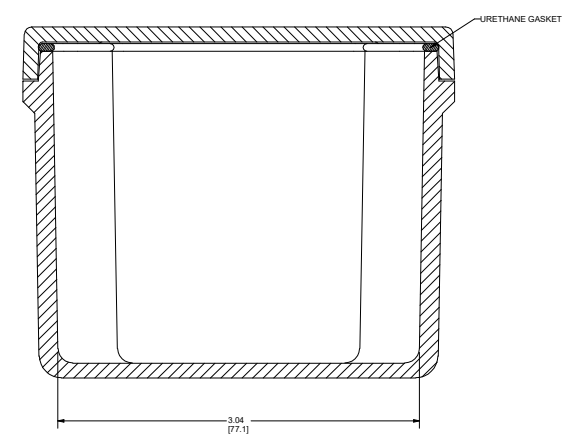
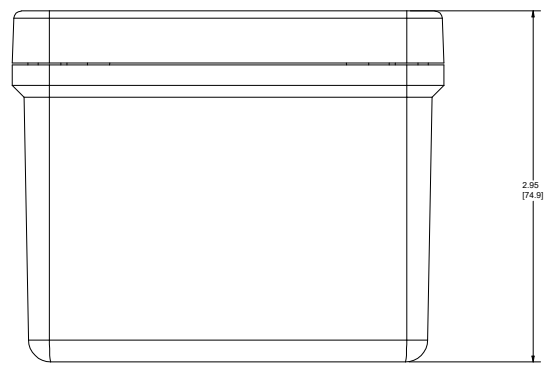


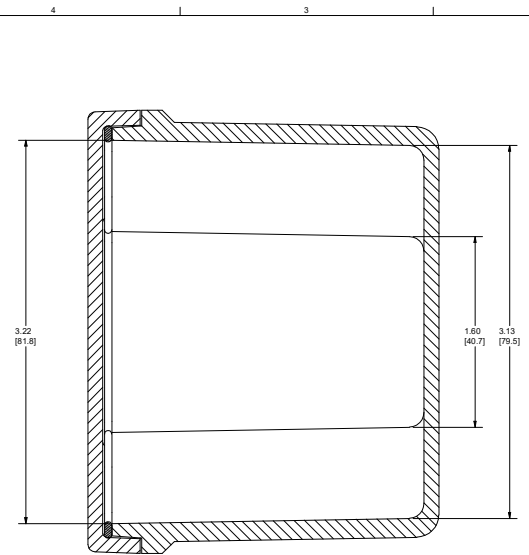
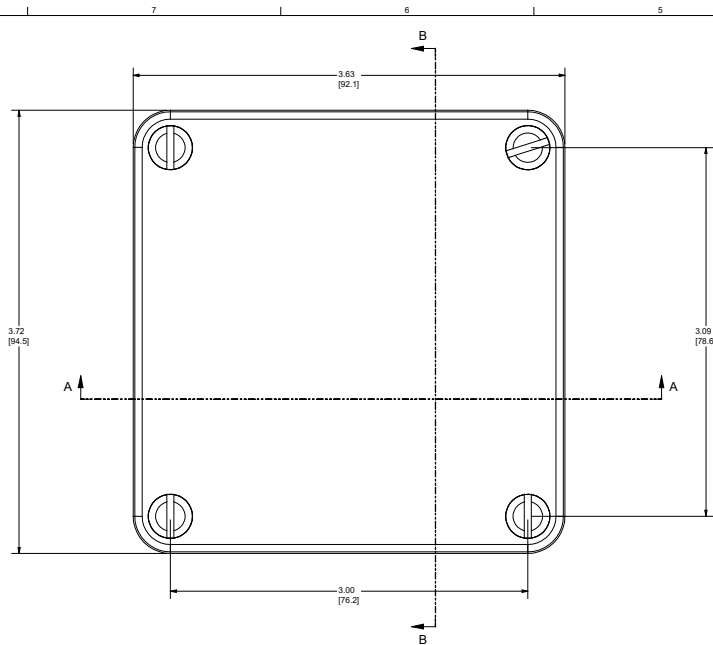
SECTION B-B



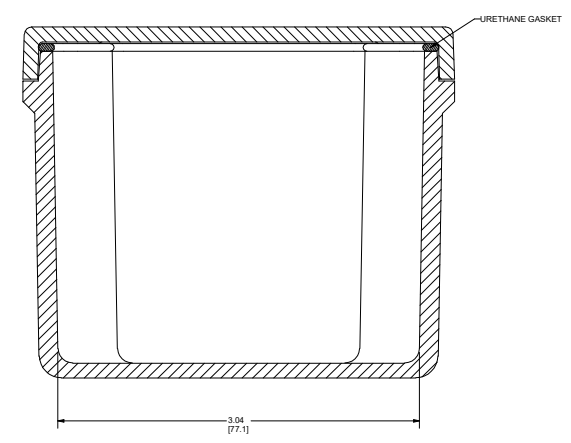
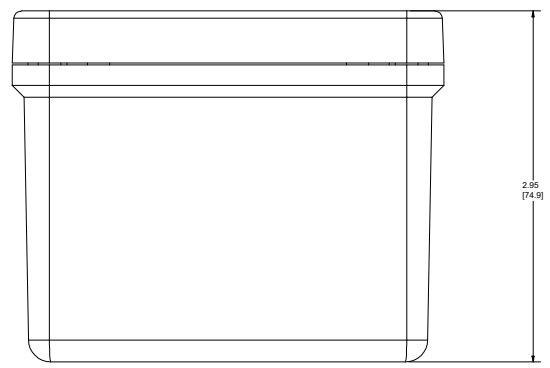
SECTION A-A

THIS DRAWING AND THE INFORMATION HEREON ARE OUR PROPERTY AND MAY BE USED BY OTHERS ONLY AS AUTHORIZED BY STANLEY ENCLLOSURES DIVISION OF FEDERAL REGISTER. ALL RIGHTS RESERVED UNDER THE COPYRIGHT LAWS.

NOTES		1. 35. 44. 66. 12		ALL DIMENSIONS ARE INCHES (MILLIMETERS) UNLESS SPECIFIED		TOLERANCES xx ± 0.03(0.79) xxx ± 0.010 (0.25)	
MATERIAL		COLOR GLASSER GRAY BR1813		DR. BY		DATE	
FR POLYESTER FIBERGLASS				10/29/2007			
LTN	REVISION RECORD	DATE	BY	CHK	DATE		
-	-	-	-	-	-	BELDING, MICHIGAN 48809	
SCALE						PART NAME	
DO NOT SCALE						PART NO.	
						CF332	
						SHT 1 OF 1	



SECTION B-B



SECTION A-A

THIS DRAWING AND THE INFORMATION HEREON ARE OUR PROPERTY AND MAY BE USED BY OTHERS ONLY AS AUTHORIZED BY STANLEY ENCLLOSURES DIVISION OF BELLING INDUSTRIES. ALL RIGHTS RESERVED UNDER THE COPYRIGHT LAWS.

NOTES		1. 35, 44, 66, 12		ALL DIMENSIONS ARE INCHES (MILLIMETERS) UNLESS SPECIFIED		TOLERANCES xx ± 0.03(0.79) xxx ± 0.010 (0.25)	
MATERIAL		COLOR GLASSER GRAY BR1813		DR. BY		DATE	
FR POLYESTER FIBERGLASS				10/29/2007			
LTN	REVISION RECORD	DATE	BY	CHK	DATE		
-	-	-	-	-	-	BELDING, MICHIGAN 48809	
-	-	-	-	-	-	CUSTOMER	
-	-	-	-	-	-	SCALE	
-	-	-	-	-	-	PART NAME	
-	-	-	-	-	-	PART NO. CF332	
						SHT 1 OF 1	