

DESCRIPTION

The CFP offers edge-lit LED technology in a sleek, modern, flat panel design. Light classrooms, offices, medical facilities, and general public spaces using edge-to-edge illumination, without pixilation or bright spots.



CONSTRUCTION

Extruded aluminum frame has a matte white finish and smooth frame-to-lens transition.

FEATURES

- 1x4, 2x2, and 2x4 sizes
- 3500K and 4000K
- 0-10V dimming, dim-to-off standard
- Recessed mount
- T-bar clips for secure mounting
- Universal voltage (120-277V)
- 80+ CRI
- IC rated
- 60,000 hour LEDs at L70 (up to 180,000 projected life) for reduced maintenance
- Unique curved 1 1/8" frame
- DLC® (DesignLights Consortium) Qualified, with some Premium Qualified configurations - see www.designlights.org



STANDARDS, CERTIFICATION AND COMPLIANCE

All luminaires are built to UL1598 standards and bear appropriate ETL labels. Damp location label standard. DLC® (DesignLights Consortium) Qualified, with some Premium Qualified configurations. Please refer to the DLC website for specific product qualifications at www.designlights.org.

WARRANTY

Five year warranty. Terms and conditions apply.

ORDERING GUIDE

Catalog Number	Description	Lumens	Watts	LPW	Qty on Pallet
CFP14-4035¹	1x4 Edge-Lit Flat Panel, 4000lm, 3500K	3951	39	101	51
CFP14-4040¹	1x4 Edge-Lit Flat Panel, 4000lm, 4000K	4102	39	105	51
CFP22-3335¹	2x2 Edge-Lit Flat Panel, 3300lm, 3500K	3382	32	106	40
CFP22-3335-HE²	2x2 Edge-Lit Flat Panel, 3300lm, 3500K, High Efficacy	3299	26	125	40
CFP22-3340¹	2x2 Edge-Lit Flat Panel, 3300lm, 4000K	3475	32	109	40
CFP22-3340-HE²	2x2 Edge-Lit Flat Panel, 3300lm, 4000K, High Efficacy	3430	27	127	40
CFP22-4035¹	2x2 Edge-Lit Flat Panel, 4000lm, 3500K	4302	41	105	40
CFP22-4040¹	2x2 Edge-Lit Flat Panel, 4000lm, 4000K	4074	40	102	40
CFP24-4135¹	2x4 Edge-Lit Flat Panel, 4100lm, 3500K	4307	40	107	20
CFP24-4135-HE²	2x4 Edge-Lit Flat Panel, 4100lm, 3500K, High Efficacy	4229	34	124	20
CFP24-4140¹	2x4 Edge-Lit Flat Panel, 4100lm, 4000K	4123	40	103	20
CFP24-4140-HE²	2x4 Edge-Lit Flat Panel, 4100lm, 4000K, High Efficacy	4334	34	127	20
CFP24-5535¹	2x4 Edge-Lit Flat Panel, 5500lm, 3500K	5447	49	110	20
CFP24-5540¹	2x4 Edge-Lit Flat Panel, 5500lm, 4000K	5608	50	112	20

¹ DLC® (DesignLights Consortium) Qualified - see www.designlights.org

² DLC® (DesignLights Consortium) Premium Qualified - see www.designlights.org

Accessories (Order Separately)

- PLD10M** Dual-Lite® Emergency LED Battery Pack, field installed
- FK14** 1' x 4' Single Flange Kit
- FK22** 2' x 2' Single Flange Kit
- FK24** 2' x 4' Single Flange Kit

PHOTOMETRIC DATA

Test #17.01571 Test Date 5/25/2017

LUMINAIRE DATA

Luminaire	CFP22-3335 tradeSELECT® CFP, Recessed 2' x 2' Flat Panel LED
Ballast	WPC-40U-40-MT-0950
Ballast Factor	1.00
Lamp	LED
Fixture Lumens	3384
Watts	32.03
Mounting	Recessed
Shielding Angle	0° = 90 90° = 90
Spacing Criterion	0° = 1.24 90° = 1.27
Luminous Opening in Feet	Length: 1.80 Width: 1.80 Height: 0.00

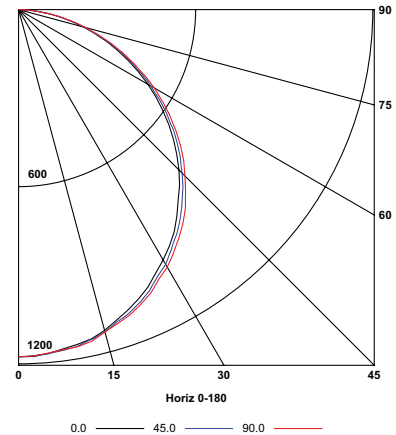
ZONAL LUMEN SUMMARY

Zone	Lumens	% Lamp	% Fixt.
0-30	914	27.0	27.0
0-40	1497	44.2	44.2
0-60	2649	78.3	78.3
0-90	3384	100.0	100.0
0-180	3384	100.0	100.0

ENERGY DATA

Total Luminaire Efficiency	100.0%
Total Lumens per Watt	106
IESNA RP-1-2004 Compliance	Non-Compliant
Comparative Yearly Lighting Energy Cost per 1000 Lumens	\$2.26 based on 3000 hrs. and \$0.08 per KWH

INDOOR CANDELA PLOT



LUMINAIRE DATA

Luminaire	CFP24-4135 tradeSELECT® CFP, Recessed 2' x 4' Flat Panel LED
Ballast	WPC-40U-40-MT-1000
Ballast Factor	1.00
Lamp	LED
Fixture Lumens	4309
Watts	40.43
Mounting	Recessed
Shielding Angle	0° = 90 90° = 90
Spacing Criterion	0° = 1.25 90° = 1.27
Luminous Opening in Feet	Length: 3.80 Width: 1.79 Height: 0.00

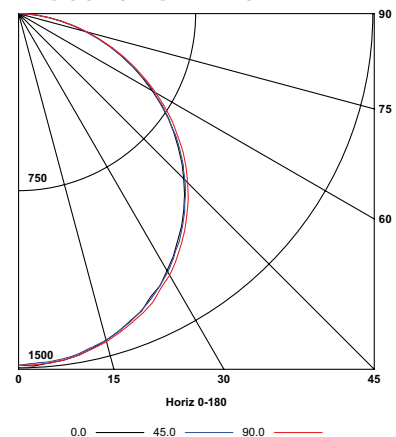
ZONAL LUMEN SUMMARY

Zone	Lumens	% Lamp	% Fixt.
0-30	1160	26.9	26.9
0-40	1901	44.1	44.1
0-60	3369	78.2	78.2
0-90	4309	100.0	100.0
0-180	4309	100.0	100.0

ENERGY DATA

Total Luminaire Efficiency	100.0%
Total Lumens per Watt	107
IESNA RP-1-2004 Compliance	Non-Compliant
Comparative Yearly Lighting Energy Cost per 1000 Lumens	\$2.22 based on 3000 hrs. and \$0.08 per KWH

INDOOR CANDELA PLOT



Test #17.01569 Test Date 5/25/2017

LUMINAIRE DATA

Luminaire	CFP24-5540 tradeSELECT® CFP, Recessed 2' x 4' Flat Panel LED
Ballast	WPC-60U-40-MT-1200
Ballast Factor	1.00
Lamp	LED
Fixture Lumens	5611
Watts	49.90
Mounting	Recessed
Shielding Angle	0° = 90 90° = 90
Spacing Criterion	0° = 1.24 90° = 1.27
Luminous Opening in Feet	Length: 3.79 Width: 0.96 Height: 0.04

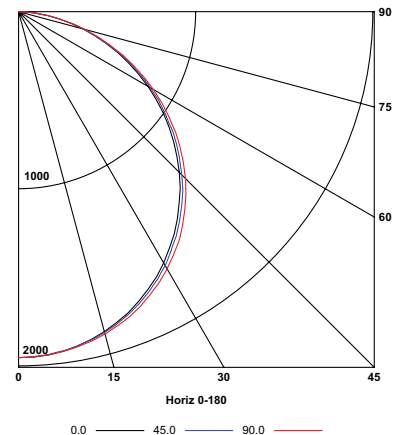
ZONAL LUMEN SUMMARY

Zone	Lumens	% Lamp	% Fixt.
0-30	1518	27.1	27.1
0-40	2489	44.4	44.4
0-60	4404	78.5	78.5
0-90	5611	100.0	100.0
0-180	5611	100.0	100.0

ENERGY DATA

Total Luminaire Efficiency	100.0%
Total Lumens per Watt	112
IESNA RP-1-2004 Compliance	Non-Compliant
Comparative Yearly Lighting Energy Cost per 1000 Lumens	\$2.14 based on 3000 hrs. and \$0.08 per KWH

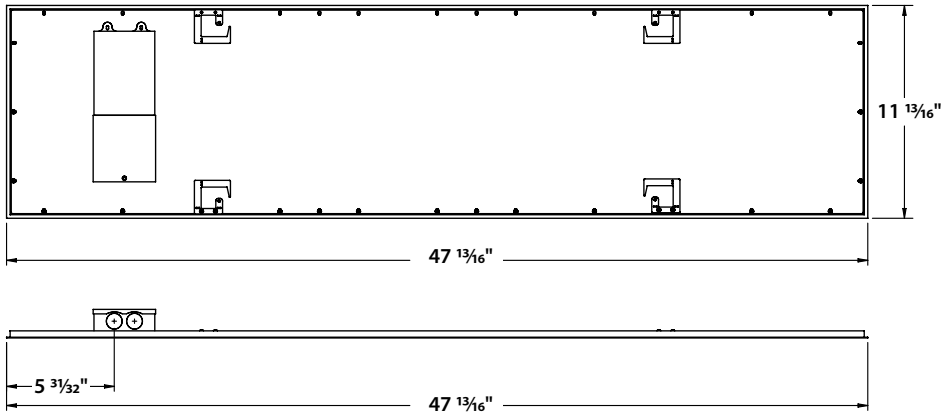
INDOOR CANDELA PLOT



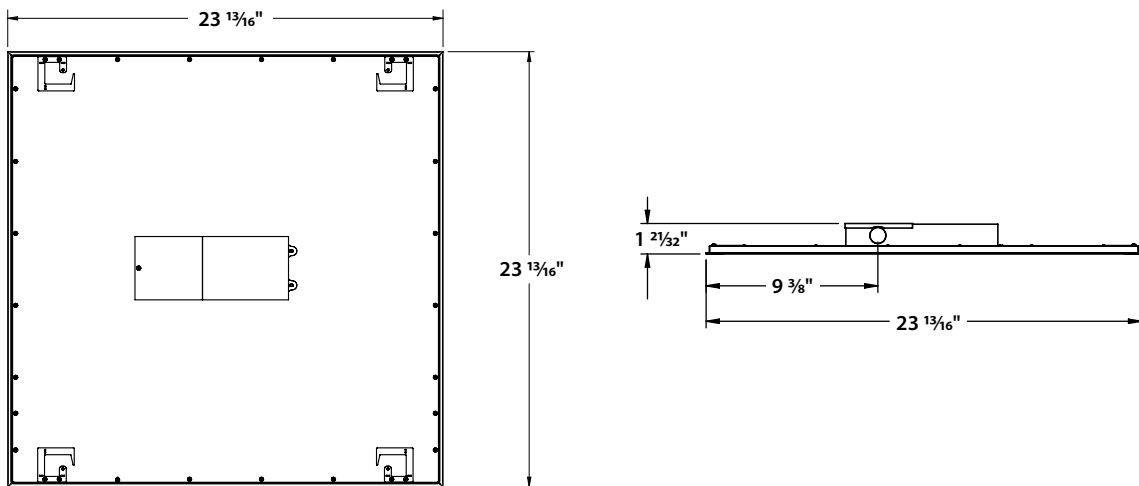
Test #17.02370 Test Date 8/25/2017

DIMENSIONAL DATA

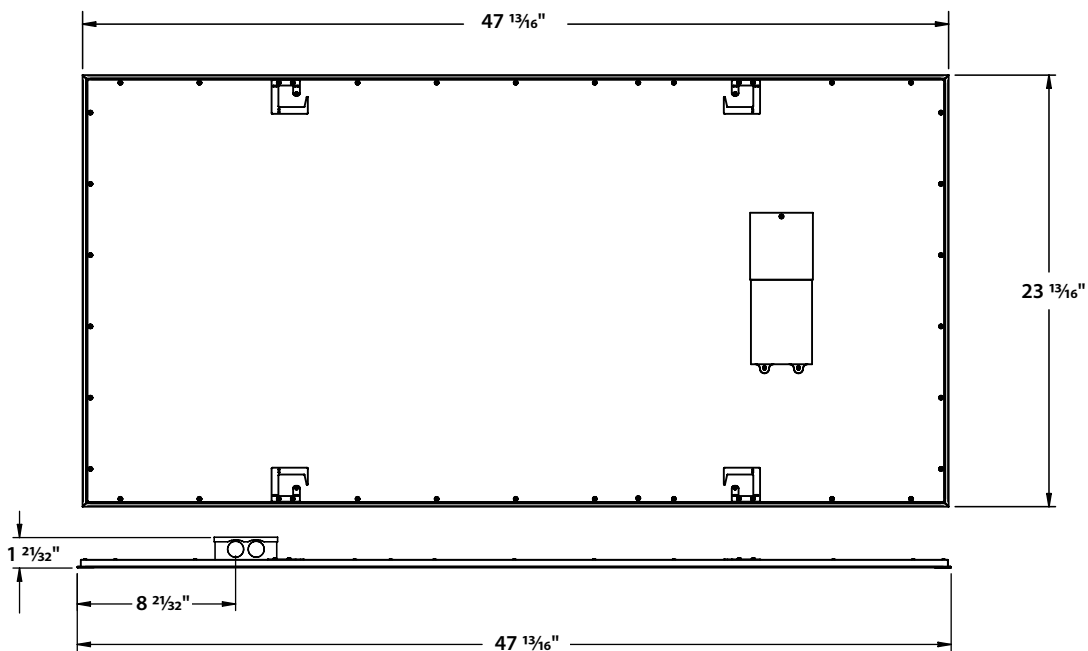
1' X 4'



2' X 2'



2' X 4'



DESCRIPTION

The CFP offers edge-lit LED technology in a sleek, modern, flat panel design. Light classrooms, offices, medical facilities, and general public spaces using edge-to-edge illumination, without pixilation or bright spots.



CONSTRUCTION

Extruded aluminum frame has a matte white finish and smooth frame-to-lens transition.

FEATURES

- 1x4, 2x2, and 2x4 sizes
- 3500K and 4000K
- 0-10V dimming, dim-to-off standard
- Recessed mount
- T-bar clips for secure mounting
- Universal voltage (120-277V)
- 80+ CRI
- IC rated
- 60,000 hour LEDs at L70 (up to 180,000 projected life) for reduced maintenance
- Unique curved 1 1/8" frame
- DLC® (DesignLights Consortium) Qualified, with some Premium Qualified configurations - see www.designlights.org



STANDARDS, CERTIFICATION AND COMPLIANCE

All luminaires are built to UL1598 standards and bear appropriate ETL labels. Damp location label standard. DLC® (DesignLights Consortium) Qualified, with some Premium Qualified configurations. Please refer to the DLC website for specific product qualifications at www.designlights.org.

WARRANTY

Five year warranty. Terms and conditions apply.

ORDERING GUIDE

Catalog Number	Description	Lumens	Watts	LPW	Qty on Pallet
CFP14-4035¹	1x4 Edge-Lit Flat Panel, 4000lm, 3500K	3951	39	101	51
CFP14-4040¹	1x4 Edge-Lit Flat Panel, 4000lm, 4000K	4102	39	105	51
CFP22-3335¹	2x2 Edge-Lit Flat Panel, 3300lm, 3500K	3382	32	106	40
CFP22-3335-HE²	2x2 Edge-Lit Flat Panel, 3300lm, 3500K, High Efficacy	3299	26	125	40
CFP22-3340¹	2x2 Edge-Lit Flat Panel, 3300lm, 4000K	3475	32	109	40
CFP22-3340-HE²	2x2 Edge-Lit Flat Panel, 3300lm, 4000K, High Efficacy	3430	27	127	40
CFP22-4035¹	2x2 Edge-Lit Flat Panel, 4000lm, 3500K	4302	41	105	40
CFP22-4040¹	2x2 Edge-Lit Flat Panel, 4000lm, 4000K	4074	40	102	40
CFP24-4135¹	2x4 Edge-Lit Flat Panel, 4100lm, 3500K	4307	40	107	20
CFP24-4135-HE²	2x4 Edge-Lit Flat Panel, 4100lm, 3500K, High Efficacy	4229	34	124	20
CFP24-4140¹	2x4 Edge-Lit Flat Panel, 4100lm, 4000K	4123	40	103	20
CFP24-4140-HE²	2x4 Edge-Lit Flat Panel, 4100lm, 4000K, High Efficacy	4334	34	127	20
CFP24-5535¹	2x4 Edge-Lit Flat Panel, 5500lm, 3500K	5447	49	110	20
CFP24-5540¹	2x4 Edge-Lit Flat Panel, 5500lm, 4000K	5608	50	112	20

¹ DLC® (DesignLights Consortium) Qualified - see www.designlights.org

² DLC® (DesignLights Consortium) Premium Qualified - see www.designlights.org

Accessories (Order Separately)

- PLD10M** Dual-Lite® Emergency LED Battery Pack, field installed
- FK14** 1' x 4' Single Flange Kit
- FK22** 2' x 2' Single Flange Kit
- FK24** 2' x 4' Single Flange Kit

PHOTOMETRIC DATA

Test #17.01571 Test Date 5/25/2017

LUMINAIRE DATA

Luminaire	CFP22-3335 tradeSELECT® CFP, Recessed 2' x 2' Flat Panel LED
Ballast	WPC-40U-40-MT-0950
Ballast Factor	1.00
Lamp	LED
Fixture Lumens	3384
Watts	32.03
Mounting	Recessed
Shielding Angle	0° = 90 90° = 90
Spacing Criterion	0° = 1.24 90° = 1.27
Luminous Opening in Feet	Length: 1.80 Width: 1.80 Height: 0.00

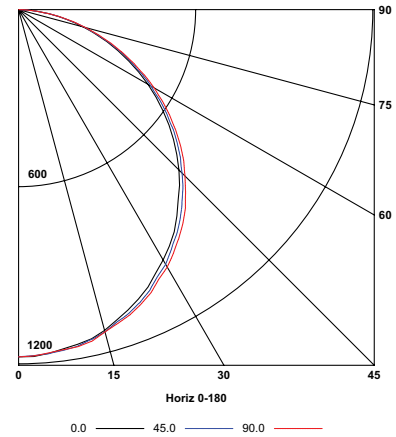
ZONAL LUMEN SUMMARY

Zone	Lumens	% Lamp	% Fixt.
0-30	914	27.0	27.0
0-40	1497	44.2	44.2
0-60	2649	78.3	78.3
0-90	3384	100.0	100.0
0-180	3384	100.0	100.0

ENERGY DATA

Total Luminaire Efficiency	100.0%
Total Lumens per Watt	106
IESNA RP-1-2004 Compliance	Non-Compliant
Comparative Yearly Lighting Energy Cost per 1000 Lumens	\$2.26 based on 3000 hrs. and \$0.08 per KWH

INDOOR CANDELA PLOT



LUMINAIRE DATA

Luminaire	CFP24-4135 tradeSELECT® CFP, Recessed 2' x 4' Flat Panel LED
Ballast	WPC-40U-40-MT-1000
Ballast Factor	1.00
Lamp	LED
Fixture Lumens	4309
Watts	40.43
Mounting	Recessed
Shielding Angle	0° = 90 90° = 90
Spacing Criterion	0° = 1.25 90° = 1.27
Luminous Opening in Feet	Length: 3.80 Width: 1.79 Height: 0.00

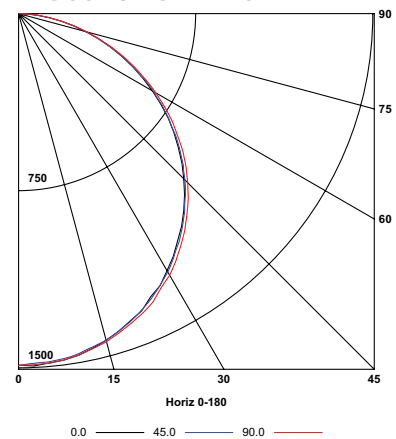
ZONAL LUMEN SUMMARY

Zone	Lumens	% Lamp	% Fixt.
0-30	1160	26.9	26.9
0-40	1901	44.1	44.1
0-60	3369	78.2	78.2
0-90	4309	100.0	100.0
0-180	4309	100.0	100.0

ENERGY DATA

Total Luminaire Efficiency	100.0%
Total Lumens per Watt	107
IESNA RP-1-2004 Compliance	Non-Compliant
Comparative Yearly Lighting Energy Cost per 1000 Lumens	\$2.22 based on 3000 hrs. and \$0.08 per KWH

INDOOR CANDELA PLOT



Test #17.01569 Test Date 5/25/2017

LUMINAIRE DATA

Luminaire	CFP24-5540 tradeSELECT® CFP, Recessed 2' x 4' Flat Panel LED
Ballast	WPC-60U-40-MT-1200
Ballast Factor	1.00
Lamp	LED
Fixture Lumens	5611
Watts	49.90
Mounting	Recessed
Shielding Angle	0° = 90 90° = 90
Spacing Criterion	0° = 1.24 90° = 1.27
Luminous Opening in Feet	Length: 3.79 Width: 0.96 Height: 0.04

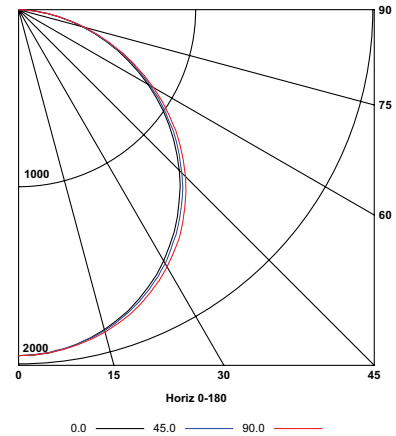
ZONAL LUMEN SUMMARY

Zone	Lumens	% Lamp	% Fixt.
0-30	1518	27.1	27.1
0-40	2489	44.4	44.4
0-60	4404	78.5	78.5
0-90	5611	100.0	100.0
0-180	5611	100.0	100.0

ENERGY DATA

Total Luminaire Efficiency	100.0%
Total Lumens per Watt	112
IESNA RP-1-2004 Compliance	Non-Compliant
Comparative Yearly Lighting Energy Cost per 1000 Lumens	\$2.14 based on 3000 hrs. and \$0.08 per KWH

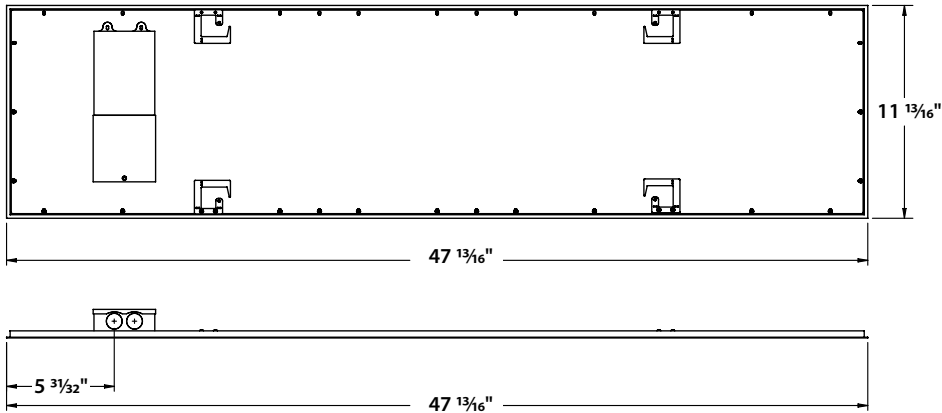
INDOOR CANDELA PLOT



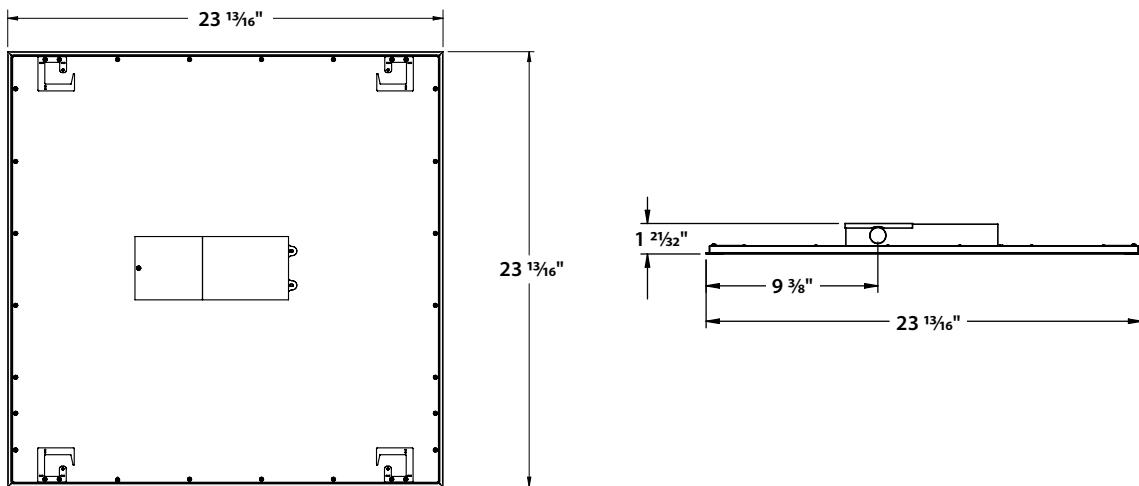
Test #17.02370 Test Date 8/25/2017

DIMENSIONAL DATA

1' X 4'



2' X 2'



2' X 4'

