

Commercial specification grade switches

| | |
|-----------------|--------------|
| Project Name: | Prepared By: |
| Project Number: | Date: |
| Catalog Number: | Type: |

Description

15A & 20A, 120/277V/AC
Single Pole, Double Pole, 3-Way, 4-Way

Design features

- Patent pending spring cup toggle design for robust actuation
- Terminals accept up to #10 AWG solid or stranded
- 120/277V/AC rating ideal for fluorescent lighting fixtures typical in commercial applications
- Terminal screws backed out and ready for wiring
- Tri-combo head mounting and terminal screws ease installation
- Tapered lead-in slots on back wiring holes assist in gathering stranded wires for faster, more secure connections (CSB only)



CSB115W



CSB415W



CS315W



CS420W

Table 1. Back & Side Wire

| Catalog No. | Description | Amps | Volts | Color Suffix |
|-----------------------------------|--------------------|------|---------|-----------------|
| <input type="checkbox"/> CSB115__ | Single Pole Switch | 15 | 120/277 | B, GY, LA, V, W |
| <input type="checkbox"/> CSB215__ | Double Pole Switch | 15 | 120/277 | B, GY, LA, V, W |
| <input type="checkbox"/> CSB315__ | 3-Way Switch | 15 | 120/277 | B, GY, LA, V, W |
| <input type="checkbox"/> CSB415__ | 4-Way Switch | 15 | 120/277 | B, GY, LA, V, W |
| <input type="checkbox"/> CSB120__ | Single Pole Switch | 20 | 120/277 | B, GY, LA, V, W |
| <input type="checkbox"/> CSB220__ | Double Pole Switch | 20 | 120/277 | B, GY, LA, V, W |
| <input type="checkbox"/> CSB320__ | 3-Way Switch | 20 | 120/277 | B, GY, LA, V, W |
| <input type="checkbox"/> CSB420__ | 4-Way Switch | 20 | 120/277 | B, GY, V, W |

Table 2. Side Wire

| Catalog No. | Description | Amps | Volts | Color Suffix |
|----------------------------------|--------------------|------|---------|------------------------|
| <input type="checkbox"/> CS115__ | Single Pole Switch | 15 | 120/277 | A, B, BK, GY, LA, V, W |
| <input type="checkbox"/> CS215__ | Double Pole Switch | 15 | 120/277 | B, BK, GY, LA, V, W |
| <input type="checkbox"/> CS315__ | 3-Way Switch | 15 | 120/277 | A, B, BK, GY, LA, V, W |
| <input type="checkbox"/> CS415__ | 4-Way Switch | 15 | 120/277 | B, GY, LA, V, W |
| <input type="checkbox"/> CS120__ | Single Pole Switch | 20 | 120/277 | A, B, BK, GY, LA, V, W |
| <input type="checkbox"/> CS220__ | Double Pole Switch | 20 | 120/277 | B, BK, GY, LA, V, W |
| <input type="checkbox"/> CS320__ | 3-Way Switch | 20 | 120/277 | B, BK, GY, LA, V, W |
| <input type="checkbox"/> CS420__ | 4-Way Switch | 20 | 120/277 | B, GY, LA, V, W |

Compliances, specifications and availability are subject to change without notice.



Powering Business Worldwide

| | |
|-----------------|--------------|
| Project Name: | Prepared By: |
| Project Number: | Date: |
| Catalog Number: | Type: |

Applications

Commercial specification grade switches are designed to fill the need for high quality in low-abuse commercial areas.

Table 3. Specifications

| Catalog No. | CSB Series 115/120, 215/220, 315/320 | CS Series 115/120, 215/220, 315/320 | CSB 415/420, CS 415/420 |
|--------------------------------------|--|--|--|
| | Commercial 15A and 20A 120/277V Toggle Switches | Commercial 15A and 20A 120/277V Toggle Switches | Commercial 15A and 20A 120/277V Toggle Switches |
| Wiring Type | Back & side wire | Side wire | Back & side wire (CSB) side wire (CS) |
| Testing & Code Compliance | <ul style="list-style-type: none"> • cULus Listed to UL 20, file no. E18704 • UL Verified to Federal Spec.WC-896G • File No. 111 • NOM Certified | <ul style="list-style-type: none"> • cULus Listed to UL 20, file no. E18704 • UL Verified to Federal Spec WC-896G • File No. 111 • NOM Certified | <ul style="list-style-type: none"> • cULus Listed to UL 20, file no. E18704 • UL Verified to Federal Spec WS-896-F • File No. 111 • NOM Certified |
| Environmental Specifications | Flammability: Meets UL94 requirements; V0 rated Temperature Rating: -20°C to 60°C (-4°F to 140°F) | Flammability: Meets UL94 requirements; V0 rated Temperature Rating: -20°C to 60°C (-4°F to 140°F) | Flammability: Meets UL94 requirements; V2 rated Temperature Rating: -20°C to 60°C (-4°F to 140°F) |
| Electrical Specifications | Dielectric Voltage: Withstands 1500V per UL 20 Current Interrupting: Yes, at full-rated current Temperature Rise: Max. 30°C (86°F) after 100 cycles of overload and 50,000 cycles of endurance testing | Dielectric Voltage: Withstands 1500V per UL 20 Current Interrupting: Yes, at full-rated current Temperature Rise: Max. 30°C (86°F) after 100 cycles of overload and 50,000 cycles of endurance testing | Dielectric Voltage: Withstands 1500V per UL 20 Current Interrupting: Yes, at full-rated current Temperature Rise: Max. 30°C (86°F) after 100 cycles of overload and 30,000 cycles of endurance testing |
| Mechanical Specifications | Terminal Accommodation: #14 - 10 AWG Voltage Ratings: Permanently marked on device Horsepower Ratings: Rated for motor loads per UL20: 15A: @ 120V/AC = 1/2 HP, @ 240V/AC = 2 HP; @ 277V/AC = 2 HP, Max. amps 12A. 20A: @ 120V/AC = 1 HP, @ 240V/AC = 2 HP; @ 277V/AC = 2 HP, Max. amps 16A | Terminal Accommodation: #14 - 10 AWG Voltage Ratings: Permanently marked on device Horsepower Ratings: Rated for motor loads per UL20: 15A: @ 120V/AC = 1/2 HP, @ 240V/AC = 2 HP; @ 277V/AC = 2 HP, Max. amps 12A. 20A: @ 120V/AC = 1 HP, @ 240V/AC = 2 HP; @ 277V/AC = 2 HP, Max. amps 16A | Terminal Accommodation: #14 - 10 AWG Voltage Ratings: Permanently marked on device Horsepower Ratings: Rated for motor loads per UL20: 15A: @ 120V/AC = 1/2 HP, @ 240V/AC = 2 HP; @ 277V/AC = 2 HP, Max. amps 12A. 20A: @ 120V/AC = 1 HP, @ 240V/AC = 2 HP; @ 277V/AC = 2 HP, Max. amps 16A |

Table 4. Materials

| Catalog No. | CSB Series 115/120, 215/220, 315/320 | CS Series 115/120, 215/220, 315/320 | CSB 415/420, CS 415/420 |
|-----------------------------|---|---|---|
| | Commercial 15A and 20A 120/277V Toggle Switches | Commercial 15A and 20A 120/277V Toggle Switches | Commercial 15A and 20A 120/277V Toggle Switches |
| Toggle | Nylon | Nylon | Nylon |
| Top Housing | PVC | PVC | Polycarbonate |
| Bottom Housing | PVC | PVC | Polycarbonate |
| Strap | 0.045" thick steel, zinc plated | 0.045" thick galvanized steel, nickel plated | 0.050" thick galvanized steel |
| Auto Ground Clip | N/A | N/A | 0.015" thick brass |
| Terminals | 0.031" thick brass | 0.031" thick high performance copper alloy | 0.030" thick brass |
| Terminal Screws | #8-32 steel, brass plated or zinc plated | #8-32 steel, brass plated or zinc plated | #10-32 brass, black |
| Ground Screw | #8-32 steel, zinc plated, green | #8-32 steel, zinc plated, green | #8-32 steel, zinc plated, green |
| Back wire Clamp | Brass | N/A | 0.070" plated steel |
| Contacts | Silver alloy | Silver alloy | Silver alloy |
| Moveable Contact Arm | Brass | Brass | 0.030" thick brass |

| | |
|-----------------|--------------|
| Project Name: | Prepared By: |
| Project Number: | Date: |
| Catalog Number: | Type: |

Table 5 Color Ordering Information

For ordering devices, include Catalog No. followed by the Color Suffix: A (Almond)
B (Brown), BK (Black), GY (Gray), LA (Light Almond), V (Ivory), W (White)

| | | | | | | |
|----------|---------|---------|--------|----------------|---------|---------|
| A | B | BK | GY | LA | V | W |
| (Almond) | (Brown) | (Black) | (Gray) | (Light Almond) | (Ivory) | (White) |

Product Dimensions

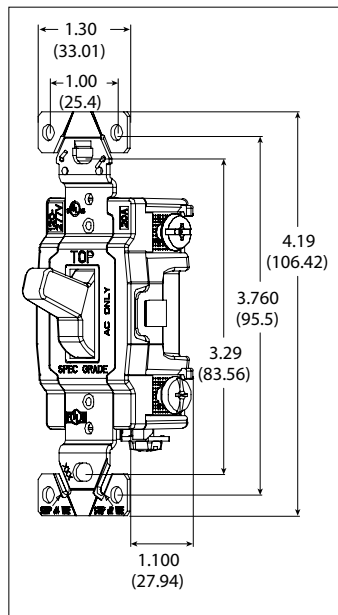


Figure 1. CS/CSB 415, 420

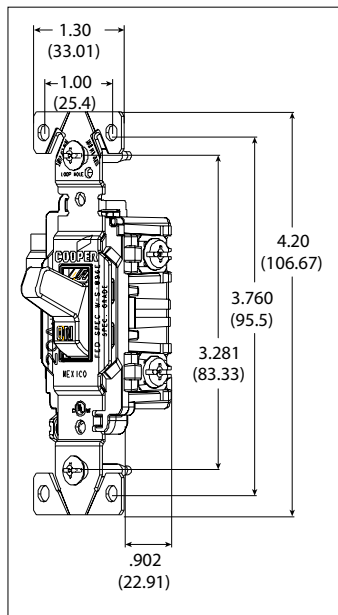






Figure 2. CS/CSB 115, 120, 315, 320

| | |
|-----------------|--------------|
| Project Name: | Prepared By: |
| Project Number: | Date: |
| Catalog Number: | Type: |

Certifications & compliances

| Catalog no. |  |  |  |  |
|-------------|---|---|---|---|
| CSB115 | • | • | • | • |
| CSB215 | • | • | • | • |
| CSB315 | • | • | • | • |
| CSB415 | | • | • | • |
| CSB120 | • | • | • | • |
| CSB220 | • | • | • | • |
| CS320 | • | • | • | • |
| CSB420 | | • | • | • |
| CS115 | • | • | • | • |
| CS215 | • | • | • | • |
| CS315 | • | • | • | • |
| CS415 | | • | • | • |
| CS120 | • | • | • | • |
| CS220 | • | • | • | • |
| CS320 | • | • | • | • |
| CS420 | | • | • | • |

KEY:  NAFTA  cULus  UL  NOM

Compliances, specifications and availability are subject to change without notice.

Electrical Sector
203 Cooper Circle
Peachtree City, GA 30269
United States
Eaton.com
Eaton.com/arrowhart

Electrical Sector
Canada Operations
5925 McLaughlin Road
Mississauga, Ontario, L5R 1B8
Canada
EatonCanada.ca
Eaton.com/arrowhart

Electrical Sector
Mexico Operations
Carr. Tlalnepantla -
Cuautitlán Km 17.8 s/n
Col. Villa Jardín esq.
Cerrada 8 de Mayo
Cuautitlán, México CP 54800
México
Eaton.mx
Eaton.com/arrowhart

Commercial specification grade switches

| | |
|-----------------|--------------|
| Project Name: | Prepared By: |
| Project Number: | Date: |
| Catalog Number: | Type: |

Description

15A & 20A, 120/277V/AC
Single Pole, Double Pole, 3-Way, 4-Way

Design features

- Patent pending spring cup toggle design for robust actuation
- Terminals accept up to #10 AWG solid or stranded
- 120/277V/AC rating ideal for fluorescent lighting fixtures typical in commercial applications
- Terminal screws backed out and ready for wiring
- Tri-combo head mounting and terminal screws ease installation
- Tapered lead-in slots on back wiring holes assist in gathering stranded wires for faster, more secure connections (CSB only)



CSB115W



CSB415W



CS315W



CS420W

Table 1. Back & Side Wire

| Catalog No. | Description | Amps | Volts | Color Suffix |
|-----------------------------------|--------------------|------|---------|-----------------|
| <input type="checkbox"/> CSB115__ | Single Pole Switch | 15 | 120/277 | B, GY, LA, V, W |
| <input type="checkbox"/> CSB215__ | Double Pole Switch | 15 | 120/277 | B, GY, LA, V, W |
| <input type="checkbox"/> CSB315__ | 3-Way Switch | 15 | 120/277 | B, GY, LA, V, W |
| <input type="checkbox"/> CSB415__ | 4-Way Switch | 15 | 120/277 | B, GY, LA, V, W |
| <input type="checkbox"/> CSB120__ | Single Pole Switch | 20 | 120/277 | B, GY, LA, V, W |
| <input type="checkbox"/> CSB220__ | Double Pole Switch | 20 | 120/277 | B, GY, LA, V, W |
| <input type="checkbox"/> CSB320__ | 3-Way Switch | 20 | 120/277 | B, GY, LA, V, W |
| <input type="checkbox"/> CSB420__ | 4-Way Switch | 20 | 120/277 | B, GY, V, W |

Table 2. Side Wire

| Catalog No. | Description | Amps | Volts | Color Suffix |
|----------------------------------|--------------------|------|---------|------------------------|
| <input type="checkbox"/> CS115__ | Single Pole Switch | 15 | 120/277 | A, B, BK, GY, LA, V, W |
| <input type="checkbox"/> CS215__ | Double Pole Switch | 15 | 120/277 | B, BK, GY, LA, V, W |
| <input type="checkbox"/> CS315__ | 3-Way Switch | 15 | 120/277 | A, B, BK, GY, LA, V, W |
| <input type="checkbox"/> CS415__ | 4-Way Switch | 15 | 120/277 | B, GY, LA, V, W |
| <input type="checkbox"/> CS120__ | Single Pole Switch | 20 | 120/277 | A, B, BK, GY, LA, V, W |
| <input type="checkbox"/> CS220__ | Double Pole Switch | 20 | 120/277 | B, BK, GY, LA, V, W |
| <input type="checkbox"/> CS320__ | 3-Way Switch | 20 | 120/277 | B, BK, GY, LA, V, W |
| <input type="checkbox"/> CS420__ | 4-Way Switch | 20 | 120/277 | B, GY, LA, V, W |

Compliances, specifications and availability are subject to change without notice.



Powering Business Worldwide

| | |
|-----------------|--------------|
| Project Name: | Prepared By: |
| Project Number: | Date: |
| Catalog Number: | Type: |

Applications

Commercial specification grade switches are designed to fill the need for high quality in low-abuse commercial areas.

Table 3. Specifications

| Catalog No. | CSB Series 115/120, 215/220, 315/320 | CS Series 115/120, 215/220, 315/320 | CSB 415/420, CS 415/420 |
|--------------------------------------|--|--|--|
| | Commercial 15A and 20A 120/277V Toggle Switches | Commercial 15A and 20A 120/277V Toggle Switches | Commercial 15A and 20A 120/277V Toggle Switches |
| Wiring Type | Back & side wire | Side wire | Back & side wire (CSB) side wire (CS) |
| Testing & Code Compliance | <ul style="list-style-type: none"> • cULus Listed to UL 20, file no. E18704 • UL Verified to Federal Spec. WC-896G • File No. 111 • NOM Certified | <ul style="list-style-type: none"> • cULus Listed to UL 20, file no. E18704 • UL Verified to Federal Spec WC-896G • File No. 111 • NOM Certified | <ul style="list-style-type: none"> • cULus Listed to UL 20, file no. E18704 • UL Verified to Federal Spec WS-896-F • File No. 111 • NOM Certified |
| Environmental Specifications | Flammability: Meets UL94 requirements; V0 rated Temperature Rating: -20°C to 60°C (-4°F to 140°F) | Flammability: Meets UL94 requirements; V0 rated Temperature Rating: -20°C to 60°C (-4°F to 140°F) | Flammability: Meets UL94 requirements; V2 rated Temperature Rating: -20°C to 60°C (-4°F to 140°F) |
| Electrical Specifications | Dielectric Voltage: Withstands 1500V per UL 20 Current Interrupting: Yes, at full-rated current Temperature Rise: Max. 30°C (86°F) after 100 cycles of overload and 50,000 cycles of endurance testing | Dielectric Voltage: Withstands 1500V per UL 20 Current Interrupting: Yes, at full-rated current Temperature Rise: Max. 30°C (86°F) after 100 cycles of overload and 50,000 cycles of endurance testing | Dielectric Voltage: Withstands 1500V per UL 20 Current Interrupting: Yes, at full-rated current Temperature Rise: Max. 30°C (86°F) after 100 cycles of overload and 30,000 cycles of endurance testing |
| Mechanical Specifications | Terminal Accommodation: #14 - 10 AWG Voltage Ratings: Permanently marked on device Horsepower Ratings: Rated for motor loads per UL20: 15A: @ 120V/AC = 1/2 HP, @ 240V/AC = 2 HP; @ 277V/AC = 2 HP, Max. amps 12A. 20A: @ 120V/AC = 1 HP, @ 240V/AC = 2 HP; @ 277V/AC = 2 HP, Max. amps 16A | Terminal Accommodation: #14 - 10 AWG Voltage Ratings: Permanently marked on device Horsepower Ratings: Rated for motor loads per UL20: 15A: @ 120V/AC = 1/2 HP, @ 240V/AC = 2 HP; @ 277V/AC = 2 HP, Max. amps 12A. 20A: @ 120V/AC = 1 HP, @ 240V/AC = 2 HP; @ 277V/AC = 2 HP, Max. amps 16A | Terminal Accommodation: #14 - 10 AWG Voltage Ratings: Permanently marked on device Horsepower Ratings: Rated for motor loads per UL20: 15A: @ 120V/AC = 1/2 HP, @ 240V/AC = 2 HP; @ 277V/AC = 2 HP, Max. amps 12A. 20A: @ 120V/AC = 1 HP, @ 240V/AC = 2 HP; @ 277V/AC = 2 HP, Max. amps 16A |

Table 4. Materials

| Catalog No. | CSB Series 115/120, 215/220, 315/320 | CS Series 115/120, 215/220, 315/320 | CSB 415/420, CS 415/420 |
|-----------------------------|---|---|---|
| | Commercial 15A and 20A 120/277V Toggle Switches | Commercial 15A and 20A 120/277V Toggle Switches | Commercial 15A and 20A 120/277V Toggle Switches |
| Toggle | Nylon | Nylon | Nylon |
| Top Housing | PVC | PVC | Polycarbonate |
| Bottom Housing | PVC | PVC | Polycarbonate |
| Strap | 0.045" thick steel, zinc plated | 0.045" thick galvanized steel, nickel plated | 0.050" thick galvanized steel |
| Auto Ground Clip | N/A | N/A | 0.015" thick brass |
| Terminals | 0.031" thick brass | 0.031" thick high performance copper alloy | 0.030" thick brass |
| Terminal Screws | #8-32 steel, brass plated or zinc plated | #8-32 steel, brass plated or zinc plated | #10-32 brass, black |
| Ground Screw | #8-32 steel, zinc plated, green | #8-32 steel, zinc plated, green | #8-32 steel, zinc plated, green |
| Back wire Clamp | Brass | N/A | 0.070" plated steel |
| Contacts | Silver alloy | Silver alloy | Silver alloy |
| Moveable Contact Arm | Brass | Brass | 0.030" thick brass |

| | |
|-----------------|--------------|
| Project Name: | Prepared By: |
| Project Number: | Date: |
| Catalog Number: | Type: |

Table 5 Color Ordering Information

For ordering devices, include Catalog No. followed by the Color Suffix: A (Almond)
B (Brown), BK (Black), GY (Gray), LA (Light Almond), V (Ivory), W (White)

| | | | | | | |
|----------|---------|---------|--------|----------------|---------|---------|
| A | B | BK | GY | LA | V | W |
| (Almond) | (Brown) | (Black) | (Gray) | (Light Almond) | (Ivory) | (White) |

Product Dimensions

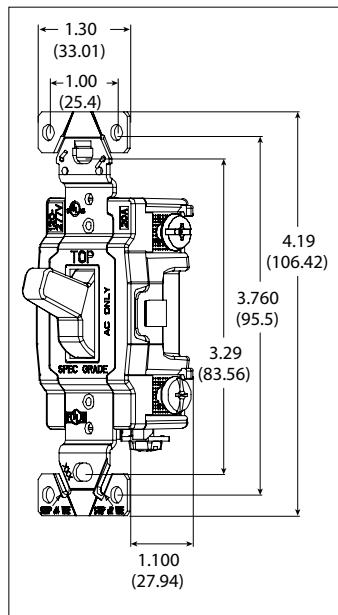


Figure 1. CS/CSB 415, 420

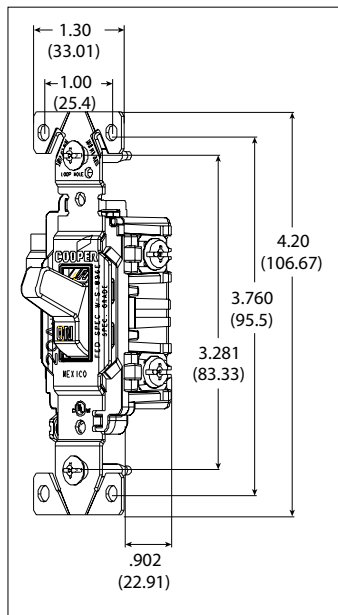






Figure 2. CS/CSB 115, 120, 315, 320

| | |
|-----------------|--------------|
| Project Name: | Prepared By: |
| Project Number: | Date: |
| Catalog Number: | Type: |

Certifications & compliances

| Catalog no. |  |  |  |  |
|-------------|---|---|---|---|
| CSB115 | • | • | • | • |
| CSB215 | • | • | • | • |
| CSB315 | • | • | • | • |
| CSB415 | | • | • | • |
| CSB120 | • | • | • | • |
| CSB220 | • | • | • | • |
| CS320 | • | • | • | • |
| CSB420 | | • | • | • |
| CS115 | • | • | • | • |
| CS215 | • | • | • | • |
| CS315 | • | • | • | • |
| CS415 | | • | • | • |
| CS120 | • | • | • | • |
| CS220 | • | • | • | • |
| CS320 | • | • | • | • |
| CS420 | | • | • | • |

KEY:  NAFTA  cULus  UL  NOM

Compliances, specifications and availability are subject to change without notice.

Electrical Sector
203 Cooper Circle
Peachtree City, GA 30269
United States
Eaton.com
Eaton.com/arrowhart

Electrical Sector
Canada Operations
5925 McLaughlin Road
Mississauga, Ontario, L5R 1B8
Canada
EatonCanada.ca
Eaton.com/arrowhart

Electrical Sector
Mexico Operations
Carr. Tlalnepantla -
Cuautitlán Km 17.8 s/n
Col. Villa Jardín esq.
Cerrada 8 de Mayo
Cuautitlán, México CP 54800
México
Eaton.mx
Eaton.com/arrowhart