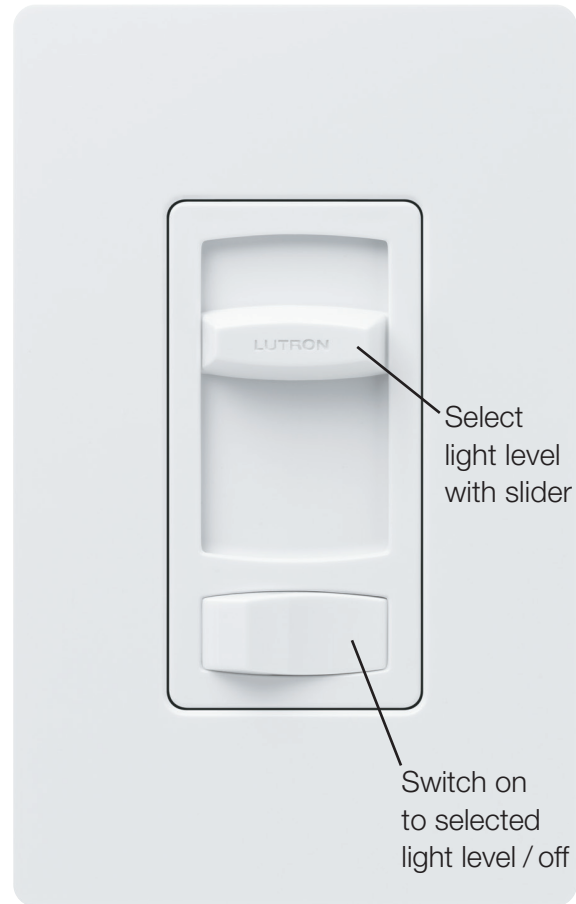


Skylark Contour Incandescent

Captive knob slide dimmer with an easy to use rocker switch.

Product Family Features

- On/off rocker switch with a captive linear-slide dimmer for a standard designer wallplate opening
- Switch returns light to previous level
- Uses standard single-pole and 3-way wiring for easy installation in any home
- An eco-dim model guarantees at least 15% energy savings and 3x bulb life compared to a standard switch
- An eco-minder model features an LED that turns from red to green when 15% energy savings is achieved. LED brightens as you dim further and more energy is saved
- C•L model provides reliable dimming performance for dimmable CFL and LED bulbs (Please see P/N 369683 at www.lutron.com)
- 100% factory tested
- Coordinating Claro and Stainless Steel wallplates available separately
- Available in all Claro gloss colors



Select light level with slider

Switch on to selected light level / off

* Faceplate sold separately

Job Name:	Model Numbers:
Job Number:	

Specifications

Regulatory Approvals

- UL[®] Listed to US and Canadian safety standards UL1472/CSA C22.2 184.1
- NOM Certified

Power and Ratings

- 120 V~ 60 Hz
- 600 W Incandescent/Halogen

Environment

- For indoor use only.
- Operating temperatures 32 °F (0 °C) to 104 °F (40 °C).

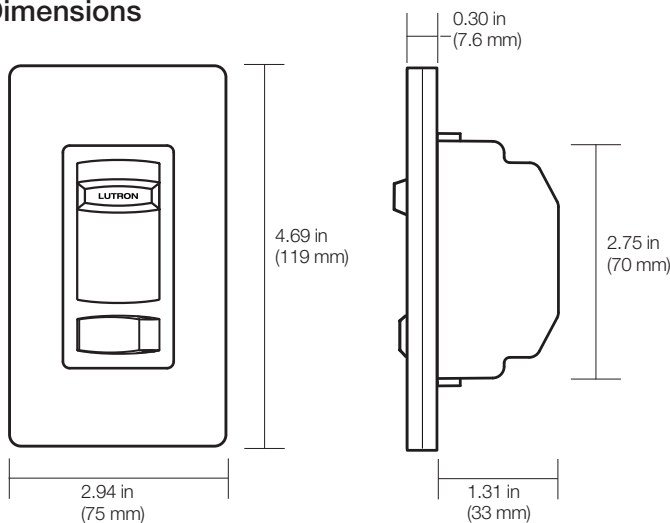
Performance

- Power-failure memory
- Captive linear slider
- Electrostatic discharge tested
- Precise color matching
- Mechanical air-gap switch to disconnect load power

Dimmer Capacity Chart

Dimmer Rating	No sides removed	1 side removed	2 sides removed
600 W	600 W max	500 W max	400 W max

Dimensions



Available Model Numbers

Skylark Contour Dimmers

- CT-600P-XX**^{1,2} Single-pole
- CT-600PH-XX-C**^{1,3} Single-pole
- CT-603P-XX**^{1,2} 3-way⁴
- CT-603PH-XX-C**^{1,3} 3-way⁴

Skylark Contour eco-dim Dimmers⁵

- CT-603PG-XX**^{1,6} Single-pole/3-way⁴
- CT-603PGH-WH-C**^{1,3} Single-pole/3-way⁴

Notes:

- ¹ "XX" in the model number represents color/finish code; see "Colors and Finishes" below.
- ² For clamshell packaging, add an "H" after "P."
- ³ Clamshell packaged product for Canada.
- ⁴ For 3-way and 4-way switching, use Claro switches or other mechanical switches.
- ⁵ Not available in all colors. Call Lutron customer service for availability.
- ⁶ For clamshell packaging, add an "H" after "G."

Colors and Finishes

Gloss Finishes

Add color suffix to model #

Example: CT-600P-WH

- WH White
- IV Ivory
- AL Almond
- LA Light Almond
- GR Gray
- BR Brown
- BL Black

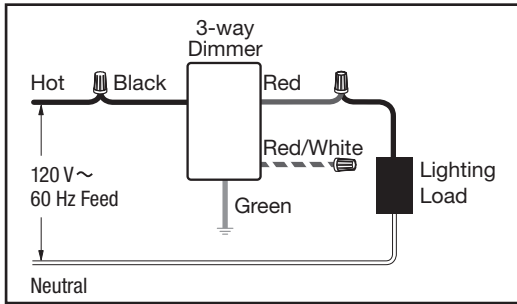
Warranty

- 1 Year Limited Warranty
- For additional Warranty information, please visit www.lutron.com/TechnicalDocumentLibrary/369-119_Wallbox_Warranty.pdf

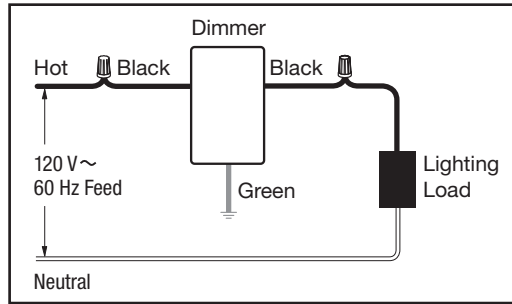
Job Name:	Model Numbers:
Job Number:	

Wiring Diagrams

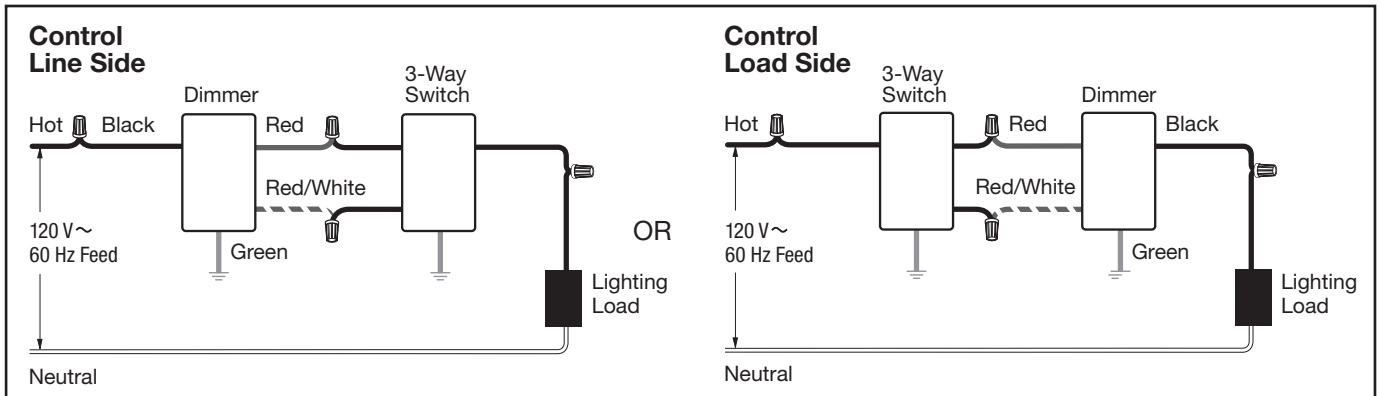
Single-Pole Wiring



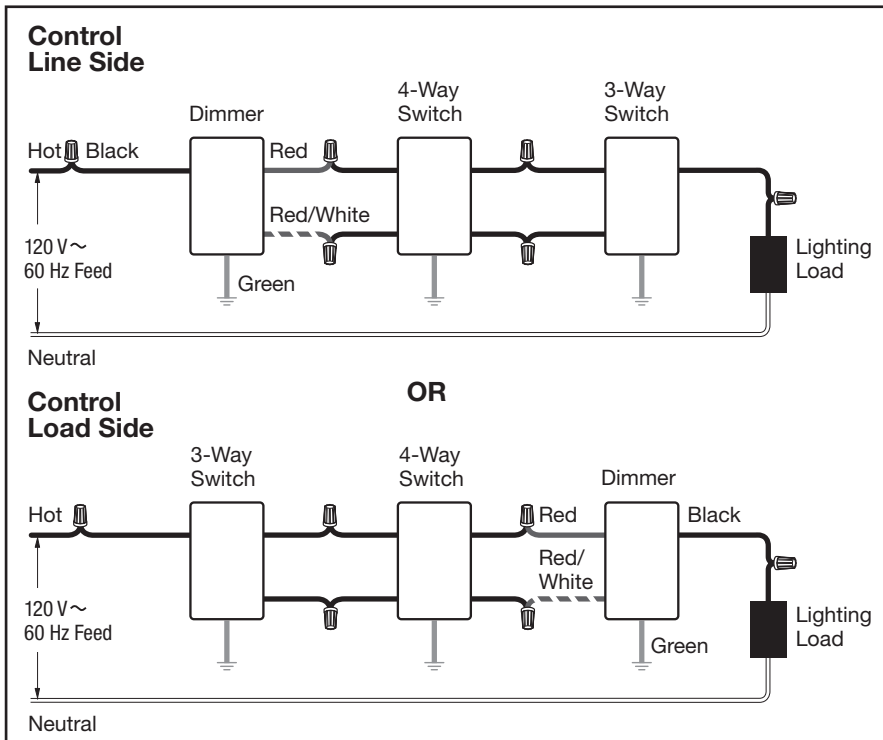
Single-Pole Wiring for CT-600P



3-Way Wiring



4-Way Wiring



Lutron, Lutron, Skylark, Skylark Contour, eco-dim, C•L and Claro are trademarks of Lutron Electronics Co., Inc., registered in the U.S. and other countries.

eco-minder is a trademark of Lutron Electronics Co., Inc.

Job Name:	Model Numbers:
Job Number:	