

**DESCRIPTION**

An efficient 4' LED wrap style fixture that provides an economical solution for exceptional light distribution in general areas.



tradeSELECT™



**FEATURES**

- 4,000 nominal lumens
- Up to 124 lumens per watt
- Choice of two color temperatures
- 0-10V dimming, standard
- Fully assembled for quick installation
- Frosted acrylic lens
- Wide range of applications
- Universal Voltage (120-277V)
- 80+ CRI
- DesignLights Consortium® (DLC) qualified; see [www.designlights.org](http://www.designlights.org)

**STANDARDS, CERTIFICATION AND COMPLIANCE**

All luminaires are built to UL1598 standards and bear appropriate UL labels. DesignLights Consortium® (DLC) qualified. Please refer to the DLC website for specific product qualifications at [www.designlights.org](http://www.designlights.org).

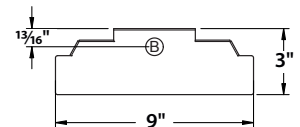
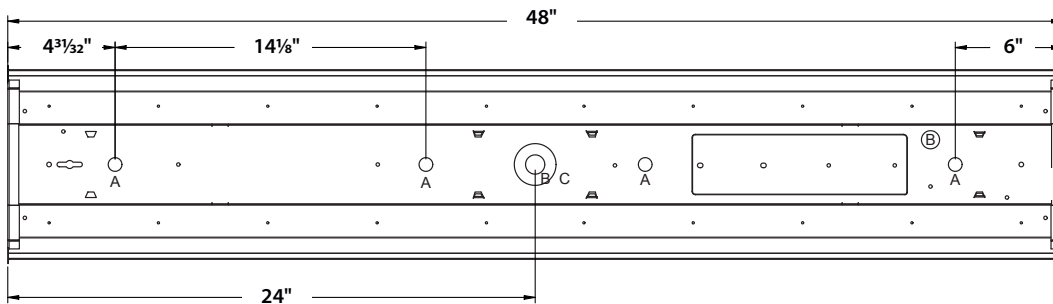
**WARRANTY**

Five year warranty. Terms and conditions apply.

**ORDERING GUIDE**

Catalog Number	Description	Lumens	Watts	LPW	Qty on Pallet
CWP4-4035	4ft LED Wrap, 4,000 Lumens, 3500K, 0-10V dimming	4584	36.9	124	33
CWP4-4040	4ft LED Wrap, 4,000 Lumens, 4000K, 0-10V dimming	4584	36.9	124	33

**DIMENSIONS**



- A - 1/2" Diameter Knockout
- B - 7/8" Diameter Knockout
- C - 2" Diameter Knockout

**PHOTOMETRIC DATA**

Test #17623 Test Date 12/10/2016

**LUMINAIRE DATA**

Luminaire	<b>CWP4-4035</b> tradeSELECT® CWP, Wraps 48" x 9" Led with white reflector and prismatic acrylic lens
Ballast	<b>SMT/38-1900</b>
Ballast Factor	<b>1.00</b>
Lamp	<b>LED</b>
Fixture Lumens	<b>4584</b>
Watts	<b>36.86</b>
Mounting	<b>Surface</b>
Shielding Angle	<b>0° = 90 90° = 90</b>
Spacing Criterion	<b>0° = 1.17 90° = 1.11</b>
Luminous Opening in Feet	<b>Length: 4.00</b> <b>Width: 0.75</b> <b>Height: 1.69</b>

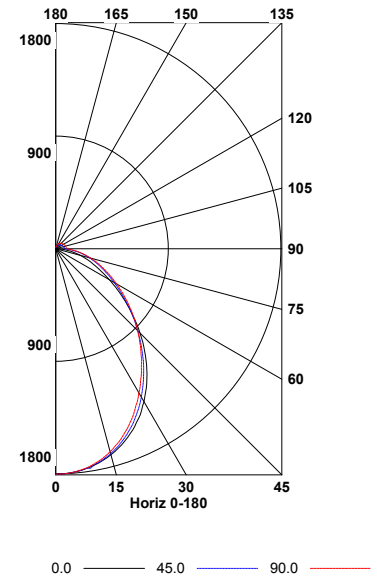
**ZONAL LUMEN SUMMARY**

Zone	Lumens	% Lamp	% Fixt.
0-30	1345	29.3	29.3
0-40	2124	46.3	46.3
0-60	3450	75.3	75.3
0-90	4303	93.9	93.9
0-180	4584	100.0	100.0

**ENERGY DATA**

Total Luminaire Efficiency	<b>100.0%</b>
Total Lumens per Watt	<b>124</b>
IESNA RP-1-2004 Compliance	<b>Non-Compliant</b>
Comparative Yearly Lighting Energy Cost per 1000 Lumens	<b>\$1.94 based on 3000 hrs. and \$0.08 per KWH</b>

**INDOOR CANDELA PLOT**



**PHOTOMETRIC DATA**

Test #17776 Test Date 12/10/2016

**LUMINAIRE DATA**

Luminaire	<b>CWP4-4040</b> tradeSELECT® CWP, Wraps 48" x 9" LED with white reflector and prismatic acrylic lens
Ballast	<b>SMT/38-1900</b>
Ballast Factor	<b>1.00</b>
Lamp	<b>LED</b>
Fixture Lumens	<b>4584</b>
Watts	<b>36.86</b>
Mounting	<b>Recessed</b>
Shielding Angle	<b>0° = 90 90° = 90</b>
Spacing Criterion	<b>0° = 1.17 90° = 1.11</b>
Luminous Opening in Feet	<b>Length: 4.00</b> <b>Width: 0.75</b> <b>Height: 1.69</b>

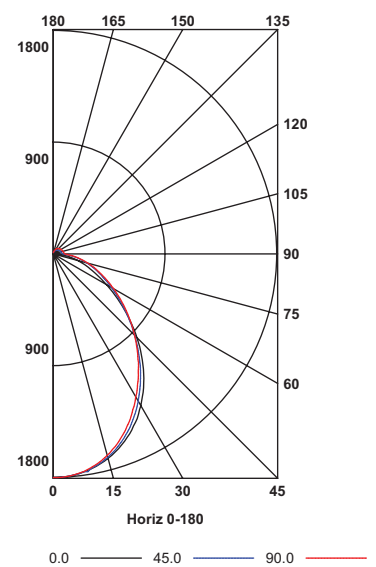
**ZONAL LUMEN SUMMARY**

Zone	Lumens	% Lamp	% Fixt.
0-30	1345	29.3	29.3
0-40	2124	46.3	46.3
0-60	3450	75.3	75.3
0-90	4303	93.9	93.9
0-180	4584	100.0	100.0

**ENERGY DATA**

Total Luminaire Efficiency	<b>100.0%</b>
Total Lumens per Watt	<b>124</b>
IESNA RP-1-2004 Compliance	<b>Non-Compliant</b>
Comparative Yearly Lighting Energy Cost per 1000 Lumens	<b>\$1.94 based on 3000 hrs. and \$0.08 per KWH</b>

**INDOOR CANDELA PLOT**



**DESCRIPTION**

An efficient 4' LED wrap style fixture that provides an economical solution for exceptional light distribution in general areas.



tradeSELECT®



**FEATURES**

- 4,000 nominal lumens
- Up to 124 lumens per watt
- Choice of two color temperatures
- 0-10V dimming, standard
- Fully assembled for quick installation
- Frosted acrylic lens
- Wide range of applications
- Universal Voltage (120-277V)
- 80+ CRI
- DesignLights Consortium® (DLC) qualified; see [www.designlights.org](http://www.designlights.org)

**STANDARDS, CERTIFICATION AND COMPLIANCE**

All luminaires are built to UL1598 standards and bear appropriate UL labels. DesignLights Consortium® (DLC) qualified. Please refer to the DLC website for specific product qualifications at [www.designlights.org](http://www.designlights.org).

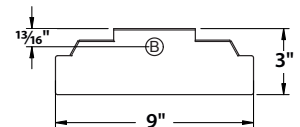
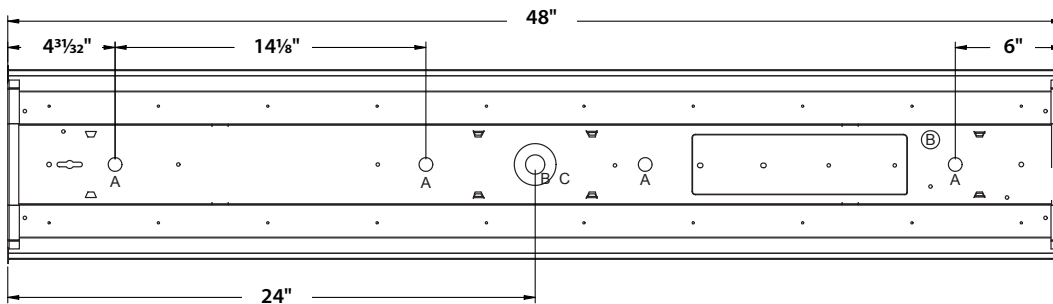
**WARRANTY**

Five year warranty. Terms and conditions apply.

**ORDERING GUIDE**

Catalog Number	Description	Lumens	Watts	LPW	Qty on Pallet
CWP4-4035	4ft LED Wrap, 4,000 Lumens, 3500K, 0-10V dimming	4584	36.9	124	33
CWP4-4040	4ft LED Wrap, 4,000 Lumens, 4000K, 0-10V dimming	4584	36.9	124	33

**DIMENSIONS**



- A - 1/2" Diameter Knockout
- B - 7/8" Diameter Knockout
- C - 2" Diameter Knockout

**PHOTOMETRIC DATA**

Test #17623 Test Date 12/10/2016

**LUMINAIRE DATA**

Luminaire	<b>CWP4-4035</b> tradeSELECT® CWP, Wraps 48" x 9" Led with white reflector and prismatic acrylic lens
Ballast	<b>SMT/38-1900</b>
Ballast Factor	<b>1.00</b>
Lamp	<b>LED</b>
Fixture Lumens	<b>4584</b>
Watts	<b>36.86</b>
Mounting	<b>Surface</b>
Shielding Angle	<b>0° = 90 90° = 90</b>
Spacing Criterion	<b>0° = 1.17 90° = 1.11</b>
Luminous Opening in Feet	<b>Length: 4.00</b> <b>Width: 0.75</b> <b>Height: 1.69</b>

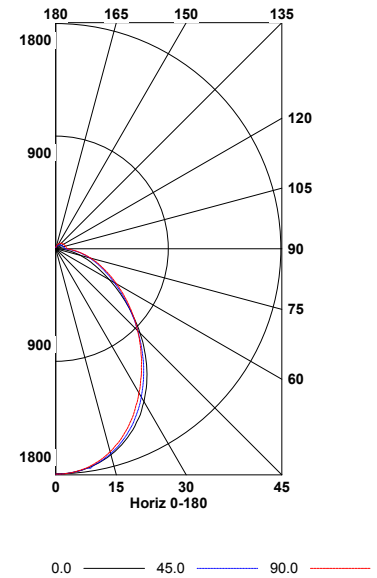
**ZONAL LUMEN SUMMARY**

Zone	Lumens	% Lamp	% Fixt.
0-30	1345	29.3	29.3
0-40	2124	46.3	46.3
0-60	3450	75.3	75.3
0-90	4303	93.9	93.9
0-180	4584	100.0	100.0

**ENERGY DATA**

Total Luminaire Efficiency	<b>100.0%</b>
Total Lumens per Watt	<b>124</b>
IESNA RP-1-2004 Compliance	<b>Non-Compliant</b>
Comparative Yearly Lighting Energy Cost per 1000 Lumens	<b>\$1.94 based on 3000 hrs. and \$0.08 per KWH</b>

**INDOOR CANDELA PLOT**



**PHOTOMETRIC DATA**

Test #17776 Test Date 12/10/2016

**LUMINAIRE DATA**

Luminaire	<b>CWP4-4040</b> tradeSELECT® CWP, Wraps 48" x 9" LED with white reflector and prismatic acrylic lens
Ballast	<b>SMT/38-1900</b>
Ballast Factor	<b>1.00</b>
Lamp	<b>LED</b>
Fixture Lumens	<b>4584</b>
Watts	<b>36.86</b>
Mounting	<b>Recessed</b>
Shielding Angle	<b>0° = 90 90° = 90</b>
Spacing Criterion	<b>0° = 1.17 90° = 1.11</b>
Luminous Opening in Feet	<b>Length: 4.00</b> <b>Width: 0.75</b> <b>Height: 1.69</b>

**ZONAL LUMEN SUMMARY**

Zone	Lumens	% Lamp	% Fixt.
0-30	1345	29.3	29.3
0-40	2124	46.3	46.3
0-60	3450	75.3	75.3
0-90	4303	93.9	93.9
0-180	4584	100.0	100.0

**ENERGY DATA**

Total Luminaire Efficiency	<b>100.0%</b>
Total Lumens per Watt	<b>124</b>
IESNA RP-1-2004 Compliance	<b>Non-Compliant</b>
Comparative Yearly Lighting Energy Cost per 1000 Lumens	<b>\$1.94 based on 3000 hrs. and \$0.08 per KWH</b>

**INDOOR CANDELA PLOT**

