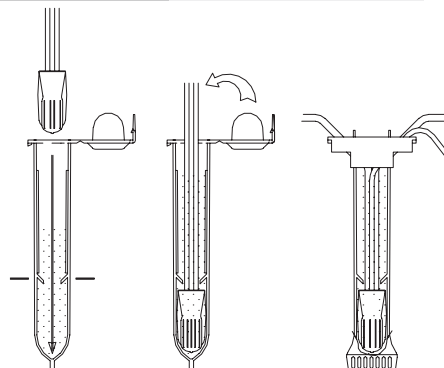


Low Voltage Splices 0-600V DBR and DBY Series

3M™ Direct Bury Products

These 3M underground electrical wire connectors are designed to splice and effectively moisture-seal two or more conductors for remote-control circuits in irrigation and landscape lighting systems. DBY-6 and DBR-6 are UL Listed and CSA Certified for 600V direct bury and submersion applications. UL File No. E102356 and CSA File No. LR91920. Each kit makes two splices.



Specification Information for 3M Direct Bury Products

Product Number	Description and Kit Contents	Wire Range (AWG)	Volts	Temperature Range	UL File No. E102356 and CSA File No. LR91920
DBR	(2) Tubes (2) 3M Scotchlok™ R Connectors	5#16 thru 3#10 (5,0 thru 16,0 mm ²)	30	32°-120°F (0°-49°C)	N/A
DBR-6	(2) Tubes (2) Scotchlok R Connectors	5#16 thru 3#10 (5,0 thru 16,0 mm ²)	600	32°-120°F (0°-49°C)	CE UL SR
DBY	(2) Tubes (2) Scotchlok Y Connectors	2-5#18 thru 2#12 (2,0 thru 7,5 mm ²)	30	32°-120°F (0°-49°C)	N/A
DBY-6	(2) Tubes (2) Scotchlok Y Connectors	2-5#18 thru 2#12 (2,0 thru 7,5 mm ²)	600	32°-120°F (0°-49°C)	CE UL SR
3570-G	Connector sealing pack containing 3M Scotchcast™ epoxy resin	Accommodates 3M 0/B+, R/Y+, Scotchlok Y, R, G, B and 3M 212, 312, 512	600	32°-220°F (0°-105°C)	N/A

3M™ Direct Bury Low Voltage Splices DBR and DBY Selection

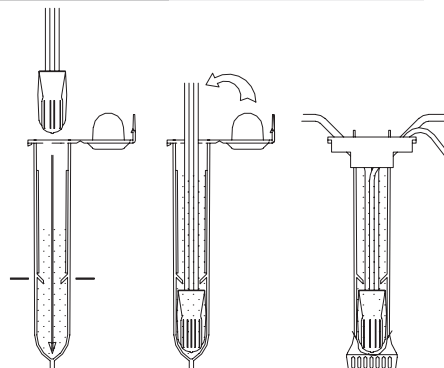
Product Number	UPC (054007-)	Inner Unit Pack	Case Qty.
DBR	09964	Kit- 2 Tubes and 2 Scotchlok R Connectors	25 kits
	49696	100 tubes and 100 connectors	100 each
DBR-6	69756	Kit- 2 Tubes and 2 Scotchlok R Connectors	25 kits
	49697	100 tubes and 100 connectors	100 each
DBY	09053	Kit- 2 Tubes and 2 Scotchlok Y Connectors	25 kits
	49698	100 tubes and 100 connectors	100 each
DBY-6	69757	Kit- 2 Tubes and 2 Scotchlok Y Connectors	25 kits
	49699	100 tubes and 100 connectors	100 each
3570-G	53241*	10/box	100 each

*UPC Prefix 051128-

Low Voltage Splices 0-600V DBR and DBY Series

3M™ Direct Bury Products

These 3M underground electrical wire connectors are designed to splice and effectively moisture-seal two or more conductors for remote-control circuits in irrigation and landscape lighting systems. DBY-6 and DBR-6 are UL Listed and CSA Certified for 600V direct bury and submersion applications. UL File No. E102356 and CSA File No. LR91920. Each kit makes two splices.



Specification Information for 3M Direct Bury Products

Product Number	Description and Kit Contents	Wire Range (AWG)	Volts	Temperature Range	UL File No. E102356 and CSA File No. LR91920
DBR	(2) Tubes (2) 3M Scotchlok™ R Connectors	5#16 thru 3#10 (5,0 thru 16,0 mm ²)	30	32°-120°F (0°-49°C)	N/A
DBR-6	(2) Tubes (2) Scotchlok R Connectors	5#16 thru 3#10 (5,0 thru 16,0 mm ²)	600	32°-120°F (0°-49°C)	CE UL SR
DBY	(2) Tubes (2) Scotchlok Y Connectors	2-5#18 thru 2#12 (2,0 thru 7,5 mm ²)	30	32°-120°F (0°-49°C)	N/A
DBY-6	(2) Tubes (2) Scotchlok Y Connectors	2-5#18 thru 2#12 (2,0 thru 7,5 mm ²)	600	32°-120°F (0°-49°C)	CE UL SR
3570-G	Connector sealing pack containing 3M Scotchcast™ epoxy resin	Accommodates 3M 0/B+, R/Y+, Scotchlok Y, R, G, B and 3M 212, 312, 512	600	32°-220°F (0°-105°C)	N/A

3M™ Direct Bury Low Voltage Splices DBR and DBY Selection

Product Number	UPC (054007-)	Inner Unit Pack	Case Qty.
DBR	09964	Kit- 2 Tubes and 2 Scotchlok R Connectors	25 kits
	49696	100 tubes and 100 connectors	100 each
DBR-6	69756	Kit- 2 Tubes and 2 Scotchlok R Connectors	25 kits
	49697	100 tubes and 100 connectors	100 each
DBY	09053	Kit- 2 Tubes and 2 Scotchlok Y Connectors	25 kits
	49698	100 tubes and 100 connectors	100 each
DBY-6	69757	Kit- 2 Tubes and 2 Scotchlok Y Connectors	25 kits
	49699	100 tubes and 100 connectors	100 each
3570-G	53241*	10/box	100 each

*UPC Prefix 051128-