

Decorator 0-10 Volt Dimmer

Project Name:	Prepared By:
Project Number:	Date:
Catalog Number:	Type:

Description

Single Pole & 3-Way
0-10 Volt Dimming Control with Integrated
ON/OFF Switch



DF10P

Design features

- Preset feature allows user to return to previous light level when turning lights ON
- Integrated full-slide control for easy, precise operation
- Can be wired as Single Pole or 3-Way
- Neutral is not required for installation of device
- Adjustable high-level trim setting for optimal lamp compatibility
- Faceplate is removable to allow for color changes
- Each package includes 3 colors
- Electrostatic discharge protection
- Compatible with any decorator wallplate or screwless decorator wallplate
- Compatible with dimmable LED and Fluorescent 0-10 Volt ballasts
- California Title 20 compliant

Table 1. Decorator Dimmers, Back & Side Wire

Catalog No.	Compatible Lamp Types	Description	Rating		Color Suffix
			Watt	V/AC	
□ DF10P__	Dimmable LED/FLR 0-10V Ballasts	Slide Dimmer, Single-Pole/3-Way Preset	1200	120	C1, C2, C4, C5
			1660	277	
□ DCK1__	—	Color Change Faceplate for DF10P	—	—	A, B, BK, GY, LA, V, W

Compliances, specifications and availability are subject to change without notice.



Powering Business Worldwide

Project Name:	Prepared By:
Project Number:	Date:
Catalog Number:	Type:

Applications

Eaton's Decorator 0-10V Dimmer provides full-range classic linear-slide dimming for 0-10 Volt compatible dimmable light sources. These units are ideal for residential and light commercial applications and are compatible with Eaton's Decorator style devices and wallplates. Units feature a preset "ON/OFF" switch that automatically returns controlled light(s) to a preset level without disturbing the brightness level. The device is designed for both Single Pole (one location) and 3-Way (multi-location) applications. Not recommended for applications involving frequent use of ammonia based cleaners.

Table 2. Specifications

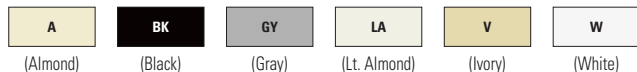
Catalog No.	DF10P, DCK1 Series
Device Type	Decorator Slide Dimmers, AL Series
Wiring Type	Back & side wire terminals + 10V wire leads
Testing & Code Compliance	<ul style="list-style-type: none"> • cULus Listed to UL1472, file no. E47967 • NOM Certified • California Title 20 compliant
Environmental Specifications	Flammability: Meets UL 94 requirements; V2 rated Temperature Rating: -20°C to 70°C (-4°F to 158°F)
Electrical Specifications	Rating: 120V/AC, 60 Hz; 277V/AC, 60 Hz Light Intensity Control: Full-range, continuously variable dimming Dimming Performance: 0-10V Dimming Surge Protection: Meets ANSI/IEEE Std. C62.41-1980, tested to withstand voltage surges up to 6000V and current surges of up to 200A without damage Power-failure Memory: Light returns to same level prior to power interruption Lamp Ratings - Switch Relay: 1200W @ 120V/AC, 1660W @ 277V/AC Dimming Control Power: 0-10V/DC: 200 mA
Mechanical Specifications	Wiring Types: Single Pole & 3-Way Voltage Ratings: Permanently marked on device

Table 3. Materials

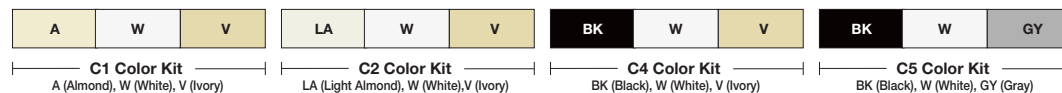
Catalog No.	DF10P, DCK1 Series
Top Housing	Polycarbonate
Bottom Housing	Polycarbonate
Strap	Aluminum
Form Factor	Decorator
Finish	Gloss

Table 4. Color Ordering Information

For ordering devices, include Cat. No. followed by the color code: A (Almond), BK (Black), GY (Gray) LA (Light Almond), V (Ivory), W (White)



Color Kit Color Combinations and Ordering Suffixes (for select models):



Project Name:	Prepared By:
Project Number:	Date:
Catalog Number:	Type:

Product Dimensions

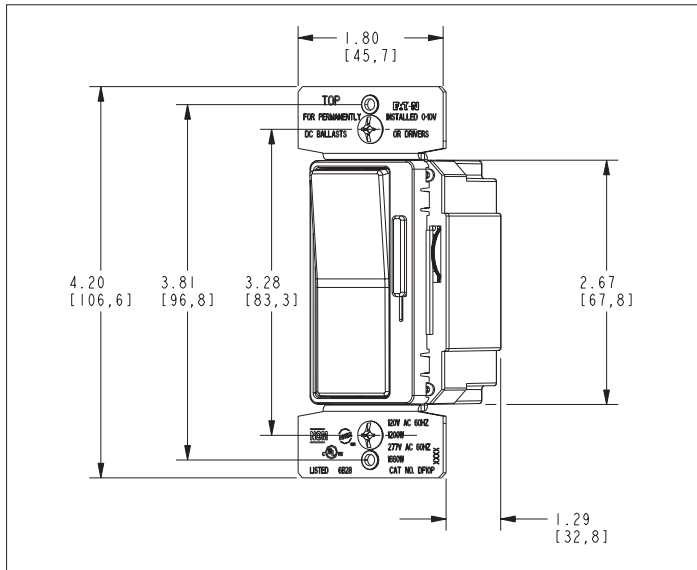
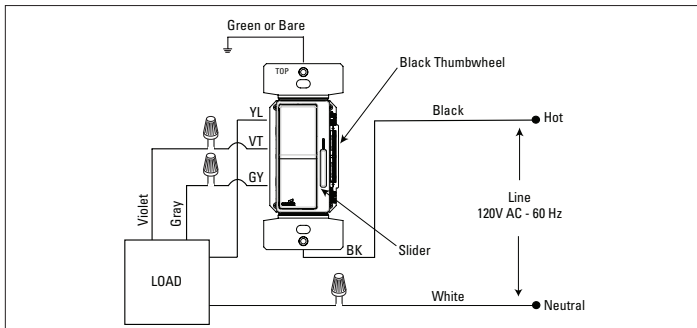


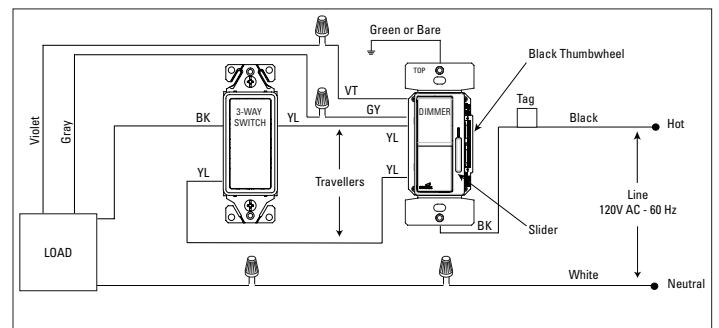
Figure 1. DF10P Line Art with Dimensions

Wiring Diagrams

Single-Pole Wiring Diagram



3-Way Wiring Diagram



Certifications & Compliances

Catalog No.	cULus	NOM 426	TITLE 20
DF10P	•	•	•
DCK1	•	•	•

KEY: cULus cULus NOM 426 NOM TITLE 20 Title 20 compliant

Compliances, specifications and availability are subject to change without notice.

Electrical Sector
203 Cooper Circle
Peachtree City, GA 30269
United States
Eaton.com
Eaton.com/wiringdevices

Electrical Sector
Canada Operations
5925 McLaughlin Road
Mississauga, Ontario, L5R 1B8
Canada
EatonCanada.ca
Eaton.com/wiringdevices

Electrical Sector
Mexico Operations
Carr. Tlalnepantla -
Cuautitlan Km 17.8 s/n
Col. Villa Jardin esq.
Cerrada 8 de Mayo
Cuautitlan, Mexico CP 54800
Mexico
Eaton.mx
Eaton.com/wiringdevices



Eaton
1000 Eaton Boulevard
Cleveland, OH 44122
United States
Eaton.com

© 2018 Eaton
All Rights Reserved
Printed in USA
Publication No. TD610067EN (REV. 1)
March 2018

Eaton is a registered trademark.
All other trademarks are property of their respective owners.