

# Decorator 0-10 Volt Dimmer

Project Name:	Prepared By:
Project Number:	Date:
Catalog Number:	Type:

## Description

Single Pole & 3-Way  
0-10 Volt Dimming Control with Integrated  
ON/OFF Switch



DF10P

## Design features

- Preset feature allows user to return to previous light level when turning lights ON
- Integrated full-slide control for easy, precise operation
- Can be wired as Single Pole or 3-Way
- Neutral is not required for installation of device
- Adjustable high-level trim setting for optimal lamp compatibility
- Faceplate is removable to allow for color changes
- Each package includes 3 colors
- Electrostatic discharge protection
- Compatible with any decorator wallplate or screwless decorator wallplate
- Compatible with dimmable LED and Fluorescent 0-10 Volt ballasts
- California Title 20 compliant

**Table 1. Decorator Dimmers, Back & Side Wire**

Catalog No.	Compatible Lamp Types	Description	Rating		Color Suffix
			Watt	V/AC	
□ DF10P__	Dimmable LED/FLR 0-10V Ballasts	Slide Dimmer, Single-Pole/3-Way Preset	1200	120	C1, C2, C4, C5
			1660	277	
□ DCK1__	—	Color Change Faceplate for DF10P	—	—	A, B, BK, GY, LA, V, W

**Compliances, specifications and availability are subject to change without notice.**



Powering Business Worldwide

Project Name:	Prepared By:
Project Number:	Date:
Catalog Number:	Type:

## Applications

Eaton's Decorator 0-10V Dimmer provides full-range classic linear-slide dimming for 0-10 Volt compatible dimmable light sources. These units are ideal for residential and light commercial applications and are compatible with Eaton's Decorator style devices and wallplates. Units feature a preset "ON/OFF" switch that automatically returns controlled light(s) to a preset level without disturbing the brightness level. The device is designed for both Single Pole (one location) and 3-Way (multi-location) applications. Not recommended for applications involving frequent use of ammonia based cleaners.

**Table 2. Specifications**

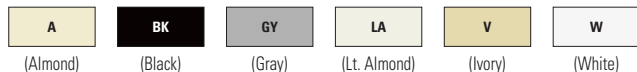
<b>Catalog No.</b>	<b>DF10P, DCK1 Series</b>
<b>Device Type</b>	<b>Decorator Slide Dimmers, AL Series</b>
<b>Wiring Type</b>	Back & side wire terminals + 10V wire leads
<b>Testing &amp; Code Compliance</b>	<ul style="list-style-type: none"> <li>• cULus Listed to UL1472, file no. E47967</li> <li>• NOM Certified</li> <li>• California Title 20 compliant</li> </ul>
<b>Environmental Specifications</b>	<b>Flammability:</b> Meets UL 94 requirements; V2 rated <b>Temperature Rating:</b> -20°C to 70°C (-4°F to 158°F)
<b>Electrical Specifications</b>	<b>Rating:</b> 120V/AC, 60 Hz; 277V/AC, 60 Hz <b>Light Intensity Control:</b> Full-range, continuously variable dimming <b>Dimming Performance:</b> 0-10V Dimming <b>Surge Protection:</b> Meets ANSI/IEEE Std. C62.41-1980, tested to withstand voltage surges up to 6000V and current surges of up to 200A without damage <b>Power-failure Memory:</b> Light returns to same level prior to power interruption <b>Lamp Ratings - Switch Relay:</b> 1200W @ 120V/AC, 1660W @ 277V/AC <b>Dimming Control Power:</b> 0-10V/DC: 200 mA
<b>Mechanical Specifications</b>	<b>Wiring Types:</b> Single Pole & 3-Way <b>Voltage Ratings:</b> Permanently marked on device

**Table 3. Materials**

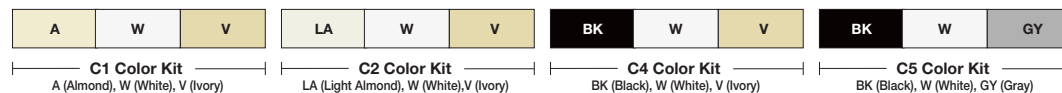
<b>Catalog No.</b>	<b>DF10P, DCK1 Series</b>
<b>Top Housing</b>	Polycarbonate
<b>Bottom Housing</b>	Polycarbonate
<b>Strap</b>	Aluminum
<b>Form Factor</b>	Decorator
<b>Finish</b>	Gloss

**Table 4. Color Ordering Information**

For ordering devices, include Cat. No. followed by the color code: A (Almond), BK (Black), GY (Gray) LA (Light Almond), V (Ivory), W (White)



**Color Kit Color Combinations and Ordering Suffixes (for select models):**



Project Name:	Prepared By:
Project Number:	Date:
Catalog Number:	Type:

### Product Dimensions

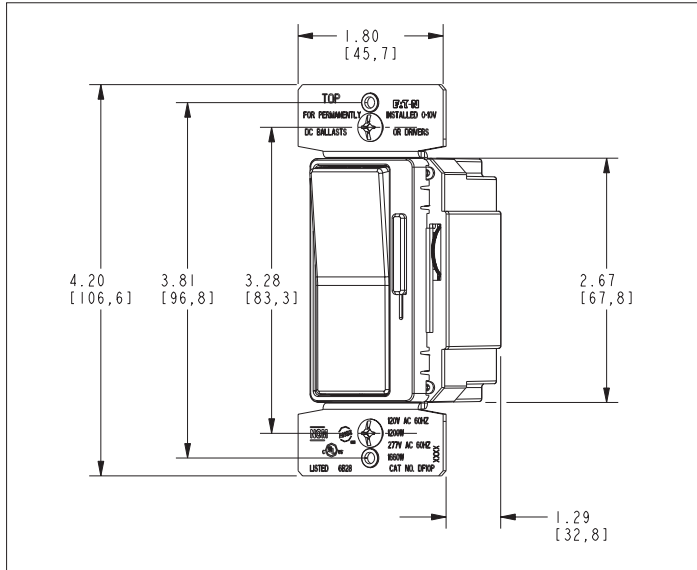
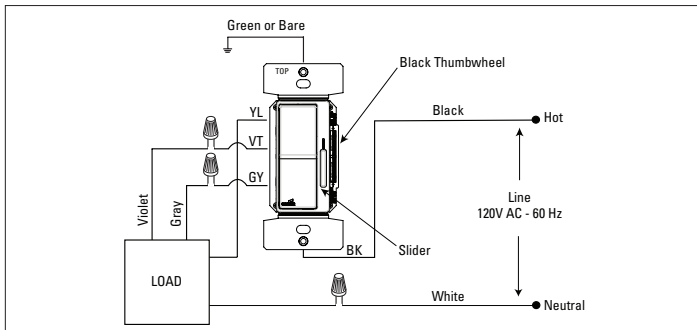


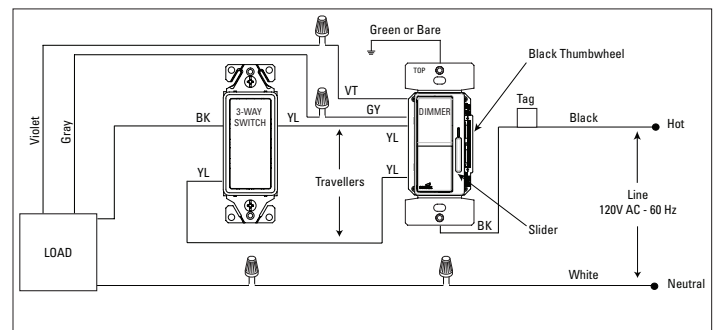
Figure 1. DF10P Line Art with Dimensions

### Wiring Diagrams

#### Single-Pole Wiring Diagram



#### 3-Way Wiring Diagram



### Certifications & Compliances

Catalog No.	cULus	NOM 426	TITLE 20
DF10P	•	•	•
DCK1	•	•	•

**KEY:** cULus cULus NOM 426 NOM TITLE 20 Title 20 compliant

Compliances, specifications and availability are subject to change without notice.

Electrical Sector  
203 Cooper Circle  
Peachtree City, GA 30269  
United States  
Eaton.com  
Eaton.com/wiringdevices

Electrical Sector  
Canada Operations  
5925 McLaughlin Road  
Mississauga, Ontario, L5R 1B8  
Canada  
EatonCanada.ca  
Eaton.com/wiringdevices

Electrical Sector  
Mexico Operations  
Carr. Tlalnepantla -  
Cuautitlan Km 17.8 s/n  
Col. Villa Jardin esq.  
Cerrada 8 de Mayo  
Cuautitlan, Mexico CP 54800  
Mexico  
Eaton.mx  
Eaton.com/wiringdevices

# Decorator 0-10 Volt Dimmer

Project Name:	Prepared By:
Project Number:	Date:
Catalog Number:	Type:

## Description

Single Pole & 3-Way  
0-10 Volt Dimming Control with Integrated  
ON/OFF Switch



DF10P

## Design features

- Preset feature allows user to return to previous light level when turning lights ON
- Integrated full-slide control for easy, precise operation
- Can be wired as Single Pole or 3-Way
- Neutral is not required for installation of device
- Adjustable high-level trim setting for optimal lamp compatibility
- Faceplate is removable to allow for color changes
- Each package includes 3 colors
- Electrostatic discharge protection
- Compatible with any decorator wallplate or screwless decorator wallplate
- Compatible with dimmable LED and Fluorescent 0-10 Volt ballasts
- California Title 20 compliant

**Table 1. Decorator Dimmers, Back & Side Wire**

Catalog No.	Compatible Lamp Types	Description	Rating		Color Suffix
			Watt	V/AC	
□ DF10P__	Dimmable LED/FLR 0-10V Ballasts	Slide Dimmer, Single-Pole/3-Way Preset	1200	120	C1, C2, C4, C5
			1660	277	
□ DCK1__	—	Color Change Faceplate for DF10P	—	—	A, B, BK, GY, LA, V, W

**Compliances, specifications and availability are subject to change without notice.**



Powering Business Worldwide

Project Name:	Prepared By:
Project Number:	Date:
Catalog Number:	Type:

## Applications

Eaton's Decorator 0-10V Dimmer provides full-range classic linear-slide dimming for 0-10 Volt compatible dimmable light sources. These units are ideal for residential and light commercial applications and are compatible with Eaton's Decorator style devices and wallplates. Units feature a preset "ON/OFF" switch that automatically returns controlled light(s) to a preset level without disturbing the brightness level. The device is designed for both Single Pole (one location) and 3-Way (multi-location) applications. Not recommended for applications involving frequent use of ammonia based cleaners.

**Table 2. Specifications**

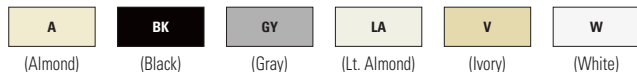
<b>Catalog No.</b>	<b>DF10P, DCK1 Series</b>
<b>Device Type</b>	<b>Decorator Slide Dimmers, AL Series</b>
<b>Wiring Type</b>	Back & side wire terminals + 10V wire leads
<b>Testing &amp; Code Compliance</b>	<ul style="list-style-type: none"> <li>• cULus Listed to UL1472, file no. E47967</li> <li>• NOM Certified</li> <li>• California Title 20 compliant</li> </ul>
<b>Environmental Specifications</b>	<b>Flammability:</b> Meets UL 94 requirements; V2 rated <b>Temperature Rating:</b> -20°C to 70°C (-4°F to 158°F)
<b>Electrical Specifications</b>	<b>Rating:</b> 120V/AC, 60 Hz; 277V/AC, 60 Hz <b>Light Intensity Control:</b> Full-range, continuously variable dimming <b>Dimming Performance:</b> 0-10V Dimming <b>Surge Protection:</b> Meets ANSI/IEEE Std. C62.41-1980, tested to withstand voltage surges up to 6000V and current surges of up to 200A without damage <b>Power-failure Memory:</b> Light returns to same level prior to power interruption <b>Lamp Ratings - Switch Relay:</b> 1200W @ 120V/AC, 1660W @ 277V/AC <b>Dimming Control Power:</b> 0-10V/DC: 200 mA
<b>Mechanical Specifications</b>	<b>Wiring Types:</b> Single Pole & 3-Way <b>Voltage Ratings:</b> Permanently marked on device

**Table 3. Materials**

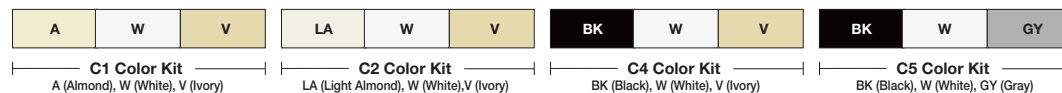
<b>Catalog No.</b>	<b>DF10P, DCK1 Series</b>
<b>Top Housing</b>	Polycarbonate
<b>Bottom Housing</b>	Polycarbonate
<b>Strap</b>	Aluminum
<b>Form Factor</b>	Decorator
<b>Finish</b>	Gloss

**Table 4. Color Ordering Information**

For ordering devices, include Cat. No. followed by the color code: A (Almond), BK (Black), GY (Gray) LA (Light Almond), V (Ivory), W (White)



**Color Kit Color Combinations and Ordering Suffixes (for select models):**



Project Name:	Prepared By:
Project Number:	Date:
Catalog Number:	Type:

**Product Dimensions**

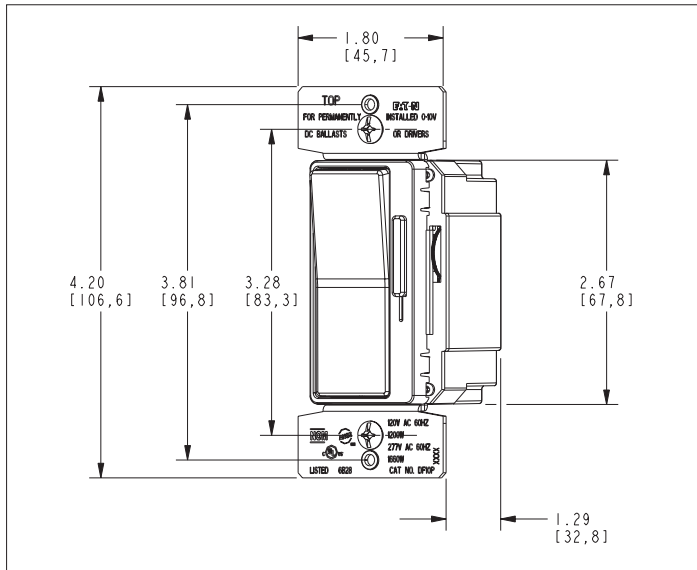
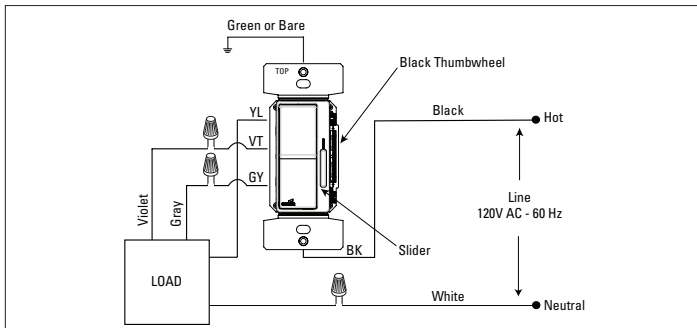


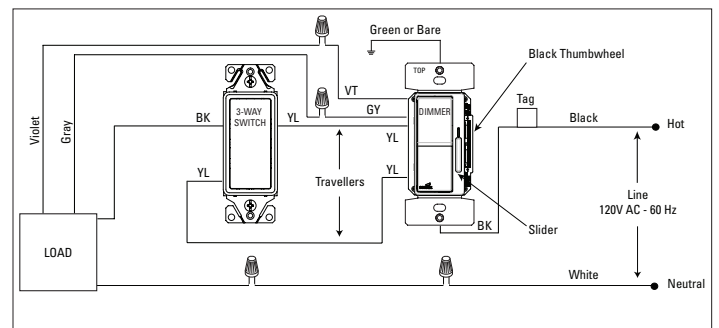
Figure 1. DF10P Line Art with Dimensions

**Wiring Diagrams**

**Single-Pole Wiring Diagram**



**3-Way Wiring Diagram**



**Certifications & Compliances**

Catalog No.	cULus	NOM 426	TITLE 20
DF10P	•	•	•
DCK1	•	•	•

**KEY:** cULus cULus NOM 426 NOM TITLE 20 Title 20 compliant

Compliances, specifications and availability are subject to change without notice.

Electrical Sector  
203 Cooper Circle  
Peachtree City, GA 30269  
United States  
Eaton.com  
Eaton.com/wiringdevices

Electrical Sector  
Canada Operations  
5925 McLaughlin Road  
Mississauga, Ontario, L5R 1B8  
Canada  
EatonCanada.ca  
Eaton.com/wiringdevices

Electrical Sector  
Mexico Operations  
Carr. Tlalnepantla -  
Cuautitlan Km 17.8 s/n  
Col. Villa Jardin esq.  
Cerrada 8 de Mayo  
Cuautitlan, Mexico CP 54800  
Mexico  
Eaton.mx  
Eaton.com/wiringdevices



**Eaton**  
1000 Eaton Boulevard  
Cleveland, OH 44122  
United States  
Eaton.com

© 2018 Eaton  
All Rights Reserved  
Printed in USA  
Publication No. TD610067EN (REV. 1)  
March 2018

Eaton is a registered trademark.  
All other trademarks are property of their respective owners.