



## DLG2

### 2" LED Downlight Gimbal

NICOR's D-Series luminaires offer a comprehensive family of LED downlight fixtures that complement one another regardless of your design space needs. The 2" family packs a punch with its small, elegant design along with its high lumen output. Not only does this family work perfectly for accent and task lighting, but the lighting output allows you to bring general ambient lighting into a space with a very small, elegant appearance. From LED color rendering and trim finishes to fixture performance, this series is a perfect choice for commercial, retail, institutional, and residential applications.

**Aperture:** Available in round

**CCT:** 2700K, 3000K, or 4000K

**High Performing LEDs:** Greater than 90 CRI; R9 greater than 50

**Reported Lifetime:** Greater than 36,000 Hours

**Power Draw:** 8.6W

**Input Voltage:** 120V (120-277 with 12300A-LED Housing)

**Dimmable:** To less than 10% with most standard TRIAC dimmers

**Operating temperature:** 0° to 120°F (-18°C to 49°C)

**Installation:** Quick and easy installation with a snap-in IDEAL connector and friction clip mounting system

**NICOR's 2" recessed housings required:** Available at 120V in remodel, new construction, and IC/Airtight new construction. Available at 120-277V in IC/Airtight new construction

#### Finish Options

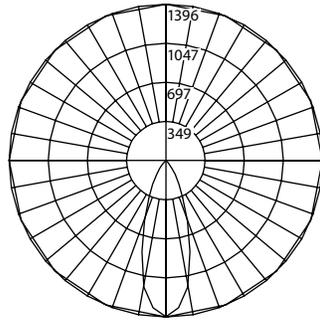


# DLG2 | 2" LED Downlight Gimbal

## Photometric Data

### DLG2 2700K

|                             |       |
|-----------------------------|-------|
| Input Voltage (VAC)         | 120V  |
| System Level Power (W)      | 8.6   |
| Delivered Lumens (Lm)       | 645   |
| System Efficacy (Lm/W)      | 75.0  |
| Correlated Color Temp (K)   | 2625  |
| Color Rendering Index (CRI) | 92    |
| Beam Angle                  | 33.4° |
| Spacing Criteria            | 0.58  |



### Intensity Summary (Candle Power)

| Angle | Mean CP |
|-------|---------|
| 0     | 1396    |
| 5     | 1291    |
| 15    | 775     |
| 25    | 330     |
| 35    | 129     |
| 45    | 44      |
| 55    | 19      |
| 65    | 10      |
| 75    | 4       |
| 85    | 1       |
| 90    | 0       |

### CCT Data Multiplier

|                |       |
|----------------|-------|
| DLG2-10-120-3K | 1.051 |
| DLG2-10-120-4K | 1.090 |

### Cone of Light Tabulation

| Mounted height (Feet) | Footcandles Beam Center | Diameter (Feet) |
|-----------------------|-------------------------|-----------------|
| 4                     | 87.3                    | 2.3             |
| 6                     | 38.8                    | 3.2             |
| 8                     | 21.8                    | 4.1             |
| 10                    | 13.9                    | 5.3             |
| 12                    | 9.7                     | 6.2             |
| 14                    | 7.1                     | 7.3             |
| 16                    | 5.5                     | 8.3             |

### Zonal Lumen Summary

| Zone   | Lumens | % of Luminaire |
|--------|--------|----------------|
| 0-30   | 489    | 76.1%          |
| 0-40   | 572    | 89.1%          |
| 0-60   | 626    | 97.5%          |
| 0-90   | 642    | 100.0%         |
| 90-180 | 0      | 0.0%           |
| 0-180  | 642    | 100.0%         |

Fixture tested per LM-79-08. Photometric data is of the performance of a representative fixture. Results may vary in the field.

### Performance Data

| Model Number   | Lumens | Watts | Lumens/Watt |
|----------------|--------|-------|-------------|
| DLG2-10-120-2K | 645    | 8.6   | 75.0        |
| DLG2-10-120-3K | 678    | 8.6   | 78.8        |
| DLG2-10-120-4K | 703    | 8.6   | 81.7        |

### Recommended Dimmers\*

- Lutron DIVA DVCL-153P
- Lutron MAESTRO MACL-153M
- Lutron DIVA DVELV-300P
- Lutron DIVA DVELV-303P

0-10V Dimming

### Housing Compatibility\*

- 12200A-LED** 2" LED IC/AT NEW CONSTRUCTION HOUSING
- 12201-LED** 2" LED NEW CONSTRUCTION HOUSING
- 12202R-LED** 2" LED REMODEL HOUSING
- 12300A-LED** 2" 120-277V LED IC/AT NEW CONST. HOUSING

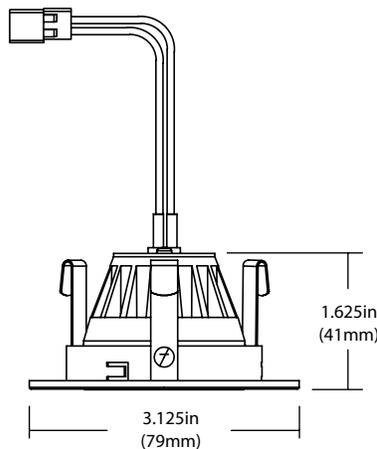
\*Not a complete list. Check compatibility before installation.

## Ordering Information

| Series | Version    | Voltage | CCT's       | Trim                    | Optics                   |
|--------|------------|---------|-------------|-------------------------|--------------------------|
| DLG2   | 10 (v 1.0) | 120 (V) | 2K (2700 K) | WH (White)              | ___ (37° Standard Optic) |
|        |            |         | 3K (3000 K) | BK (Black)*             | NF (30° Narrow Optic)    |
|        |            |         | 4K (4000 K) | NK (Nickel)*            | SP (20° Spot Optic)      |
|        |            |         |             | OB (Oil-Rubbed Bronze)* |                          |

\*only available as special order. Contact NICOR for more info.

## Dimensions





## DLG2

### 2" LED Downlight Gimbal

NICOR's D-Series luminaires offer a comprehensive family of LED downlight fixtures that complement one another regardless of your design space needs. The 2" family packs a punch with its small, elegant design along with its high lumen output. Not only does this family work perfectly for accent and task lighting, but the lighting output allows you to bring general ambient lighting into a space with a very small, elegant appearance. From LED color rendering and trim finishes to fixture performance, this series is a perfect choice for commercial, retail, institutional, and residential applications.

**Aperture:** Available in round

**CCT:** 2700K, 3000K, or 4000K

**High Performing LEDs:** Greater than 90 CRI; R9 greater than 50

**Reported Lifetime:** Greater than 36,000 Hours

**Power Draw:** 8.6W

**Input Voltage:** 120V (120-277 with 12300A-LED Housing)

**Dimmable:** To less than 10% with most standard TRIAC dimmers

**Operating temperature:** 0° to 120°F (-18°C to 49°C)

**Installation:** Quick and easy installation with a snap-in IDEAL connector and friction clip mounting system

**NICOR's 2" recessed housings required:** Available at 120V in remodel, new construction, and IC/Airtight new construction. Available at 120-277V in IC/Airtight new construction

#### Finish Options

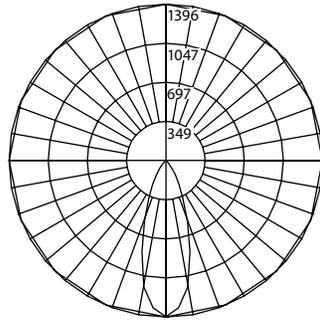


# DLG2 | 2" LED Downlight Gimbal

## Photometric Data

### DLG2 2700K

|                             |       |
|-----------------------------|-------|
| Input Voltage (VAC)         | 120V  |
| System Level Power (W)      | 8.6   |
| Delivered Lumens (Lm)       | 645   |
| System Efficacy (Lm/W)      | 75.0  |
| Correlated Color Temp (K)   | 2625  |
| Color Rendering Index (CRI) | 92    |
| Beam Angle                  | 33.4° |
| Spacing Criteria            | 0.58  |



### Intensity Summary (Candle Power)

| Angle | Mean CP |
|-------|---------|
| 0     | 1396    |
| 5     | 1291    |
| 15    | 775     |
| 25    | 330     |
| 35    | 129     |
| 45    | 44      |
| 55    | 19      |
| 65    | 10      |
| 75    | 4       |
| 85    | 1       |
| 90    | 0       |

### CCT Data Multiplier

|                |       |
|----------------|-------|
| DLG2-10-120-3K | 1.051 |
| DLG2-10-120-4K | 1.090 |

### Cone of Light Tabulation

| Mounted height (Feet) | Footcandles Beam Center | Diameter (Feet) |
|-----------------------|-------------------------|-----------------|
| 4                     | 87.3                    | 2.3             |
| 6                     | 38.8                    | 3.2             |
| 8                     | 21.8                    | 4.1             |
| 10                    | 13.9                    | 5.3             |
| 12                    | 9.7                     | 6.2             |
| 14                    | 7.1                     | 7.3             |
| 16                    | 5.5                     | 8.3             |

### Zonal Lumen Summary

| Zone   | Lumens | % of Luminaire |
|--------|--------|----------------|
| 0-30   | 489    | 76.1%          |
| 0-40   | 572    | 89.1%          |
| 0-60   | 626    | 97.5%          |
| 0-90   | 642    | 100.0%         |
| 90-180 | 0      | 0.0%           |
| 0-180  | 642    | 100.0%         |

Fixture tested per LM-79-08. Photometric data is of the performance of a representative fixture. Results may vary in the field.

### Performance Data

| Model Number   | Lumens | Watts | Lumens/Watt |
|----------------|--------|-------|-------------|
| DLG2-10-120-2K | 645    | 8.6   | 75.0        |
| DLG2-10-120-3K | 678    | 8.6   | 78.8        |
| DLG2-10-120-4K | 703    | 8.6   | 81.7        |

### Recommended Dimmers\*

- Lutron DIVA DVCL-153P
- Lutron MAESTRO MACL-153M
- Lutron DIVA DVELV-300P
- Lutron DIVA DVELV-303P

0-10V Dimming

### Housing Compatibility\*

- 12200A-LED** 2" LED IC/AT NEW CONSTRUCTION HOUSING
- 12201-LED** 2" LED NEW CONSTRUCTION HOUSING
- 12202R-LED** 2" LED REMODEL HOUSING
- 12300A-LED** 2" 120-277V LED IC/AT NEW CONST. HOUSING

\*Not a complete list. Check compatibility before installation.

## Ordering Information

| Series | Version    | Voltage | CCT's       | Trim                    | Optics                   |
|--------|------------|---------|-------------|-------------------------|--------------------------|
| DLG2   | 10 (v 1.0) | 120 (V) | 2K (2700 K) | WH (White)              | ___ (37° Standard Optic) |
|        |            |         | 3K (3000 K) | BK (Black)*             | NF (30° Narrow Optic)    |
|        |            |         | 4K (4000 K) | NK (Nickel)*            | SP (20° Spot Optic)      |
|        |            |         |             | OB (Oil-Rubbed Bronze)* |                          |

\*only available as special order. Contact NICOR for more info.

## Dimensions

