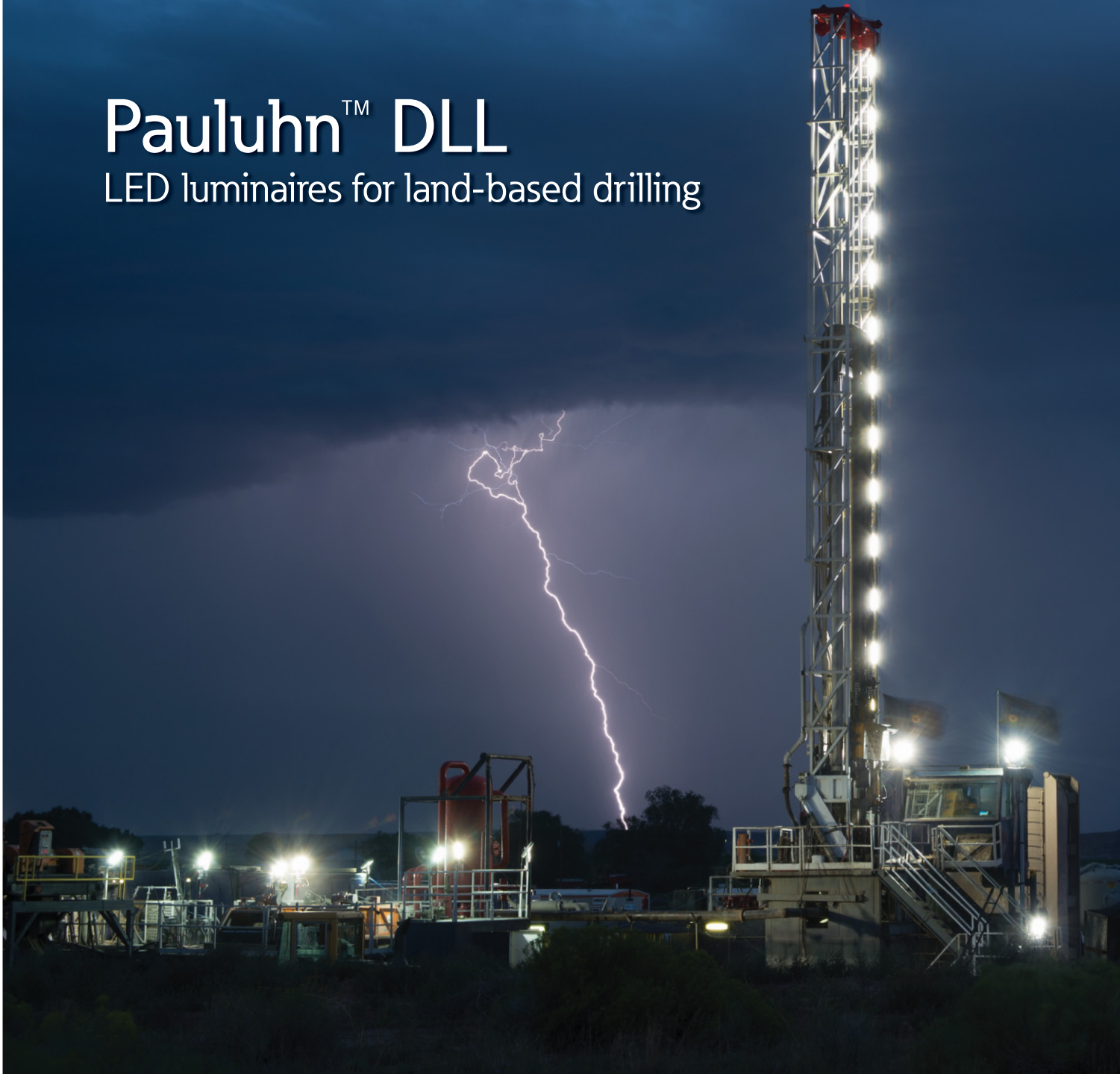


LED lighting for land-based rigs
Pauluhn™ DLL LED Luminaires

CROUSE-HINDS
SERIES

Pauluhn™ DLL

LED luminaires for land-based drilling



EATON

Powering Business Worldwide



Pauluhn™ DLL Series LEDs

Safe. Reliable. Efficient.

Featuring the industry's broadest range of LED luminaires for harsh and hazardous environments, Eaton's Crouse-Hinds can deliver a lighting solution that performs reliably in even the worst operating conditions. All the while reducing your energy, maintenance and manpower costs.



Why LED?

Useful life

Rated life is up to 60,000 hours of maintenance-free and safe operation

Energy efficiency

LED average energy consumption is 65% less than T12, T8 and T5HO fluorescent fixtures

Start/restart time

Instant illumination vs. 10 minute restrike time for fluorescent

Light quality

Higher color rendering and color temperature compared to fluorescent

Environmental benefits

Mercury-free LED eliminates disposal costs and lower energy consumption for a smaller carbon footprint

Why Crouse-Hinds?

Industry-best reliability

Built to withstand extreme temperatures, vibration, water and dust

Thermal management

Effective heat sinking ensures longer life

Quality of light

Custom optics designed to maximize light distribution and intensity

Retrofit compatibility

LED fixtures are compatible with Pauluhn DuraPro, MagnaPro, Rig-A-Lite™ and Snelson® fluorescent fixtures

Ensign Rig 89

LOCATION: Gillette, Wyoming

DETAILS: Rig retrofit with Pauluhn DLL4 LEDs

Why Pauluhn™ DLL LED?

Designed for drilling. Pauluhn DLL linear LED luminaires are engineered to stand up to the demanding conditions faced on land-based drilling rigs. The DLL stands up to high vibration, hose down, shock and impact, while delivering long life and high lumen performance for up to 20 years.

Custom optics:

- Standard wide (120°) beam spread for control room and indoor application maximizes illumination on wall panels
- Narrow (80°) beam spread option for high mast/derrick application avoids spillage and light loss

Comprehensive certification:

- Single model certified for use in Class I, Division 2 and Class II, Division 2 harsh and hazardous applications

Quick & easy installation:

- Easy access to drivers and wiring
- No custom brackets or hardware needed
- Seven mounting options available
- Easily retrofit to Pauluhn DuraPro and MagnaPro, Rig-A-Lite and Snelson



Slim profile:

- 2.7" fixture height (excluding mounting brackets)
- Perfect for mounting in confined or low height areas

Built to last:

- Ingress protection from hose down water or diesel fuel in harsh operational conditions – passed 2,000 psi high pressure test
- Vibration-, impact- and shock-resistant – passed 5G, 3-axis vibration test
- 60,000 hour lifetime @ 55°C ambient



Case study: land-rig retrofit

Location:

Ensign Rig 122, Vernal, Utah

Challenge:

Ensign was looking for a rugged, low maintenance solution to replace existing Pauluhn DuraPro fluorescent fixtures on a drilling rig.

Solution:

Install Pauluhn DLL 2 foot linear LED luminaires

Results:

Ensign was easily able to replace 21 DuraPro fixtures with 14 DLLs in only about an hour by using the existing DuraPro brackets. Ensign saw better light quality on the mast and deck, while reducing amperage load and eliminating lamp maintenance.



Pauluhn™ DLL Series LED Luminaires

The Pauluhn DLL Linear LED by Eaton's Crouse-Hinds is specifically designed to replace fluorescent T12, T8 and T5HO lighting on land-based and offshore drilling platforms. The rugged and durable design features the industry's most versatile and flexible mounting options. The Pauluhn DLL is the ideal solution for high vibration, impact and hose down in drilling applications.

Applications:

Land-based and offshore rigs; areas include: derrick, mast, SCR house, top drive, operator's house, power and pump stations.

Key features & benefits:

- High efficacy: up to 120 LPW
- -40°C to +65°C ambient operating temperature (standard model)
- Low profile fixture (<3" height)
- Versatile ceiling/swivel, wall, flush, pole and pendant mounting options
- Wide and narrow optics for uniform illumination in control room and drill mast
- Four points of secondary retention
- 2,000 psi high pressure hose rated
- High vibration resistance
- Emergency battery back-up (90 minutes) and surge protection options (up to 10kV)‡
- DesignLights Consortium® Qualified (some models are not DLC qualified)*
- 5 year fixture warranty†



‡ One year warranty

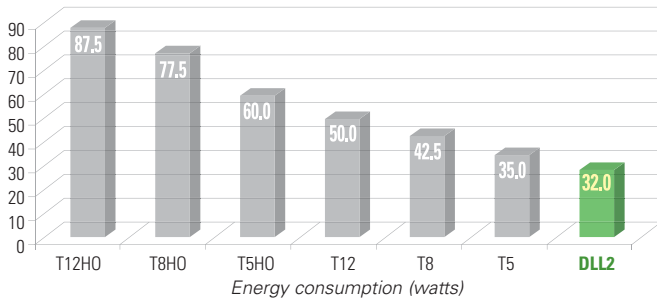
* Refer to www.designlights.org Qualified Products List under Family Models for full listing details. Not all models are approved for all application categories.

† Refer to page 2 of the D-0716 authorized distributor price book for Crouse-Hinds standard Terms and Conditions.



Energy consumption comparison

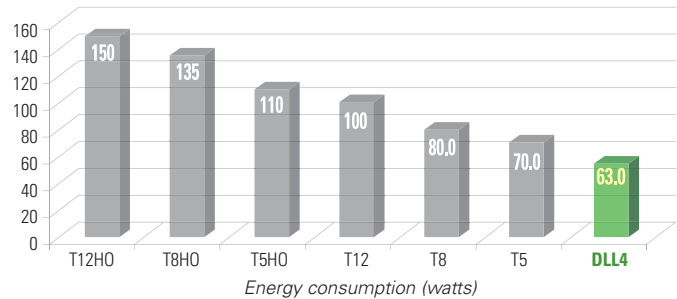
2 foot DLL linear LED vs. fluorescent



Model	Typical lumens	Wattage	Lumens per watt	Equivalent HID luminaire	Typical energy savings / lifetime
DLL2	3,958	32	124	T12HO	Up to 63%
				T8HO	Up to 59%
				T5HO	Up to 47%
				T12	Up to 36%
				T8	Up to 25%
				T5	Up to 9%

All luminaires in the comparison are 2 lamp, 2 foot

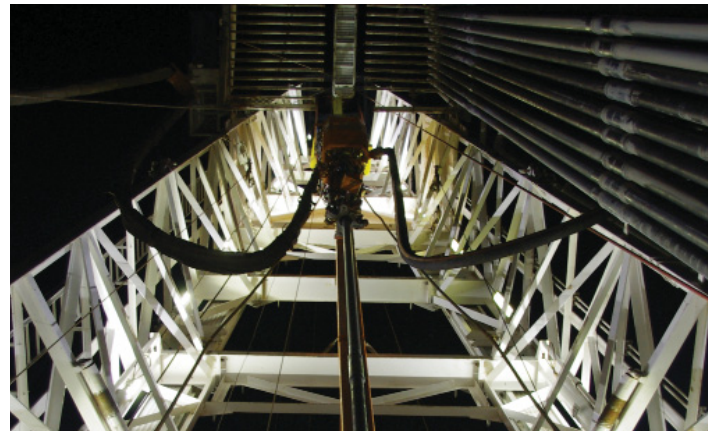
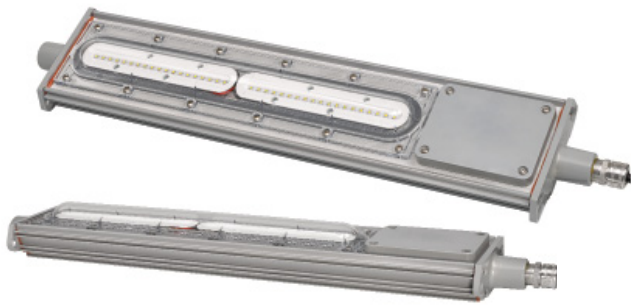
4 foot DLL linear LED vs. fluorescent



Model	Typical lumens	Wattage	Lumens per watt	Equivalent HID luminaire	Typical energy savings / lifetime
DLL4	7,900	63	130	T12HO	Up to 58%
				T8HO	Up to 54%
				T5HO	Up to 43%
				T12	Up to 37%
				T8	Up to 22%
				T5	Up to 10%

All luminaires in the comparison are 2 lamp, 4 foot

Specifications



Certifications:

NEC standards:

- Class I, Division 2, Groups A, B, C, D
- Class II, Division 2, Groups F, G
- Class I, Zone 2
- Class III
- NEMA 4X; IP66
- Marine and wet locations

UL standards:

- UL844 Electrical Fixture Hangers for Hazardous Locations
- UL1598 Luminaire
- UL1598A Luminaire for Installation on Marine Vessels
- UL924 for Emergency Lighting

CSA standard:

- C22.2 No. 137

Additional certifications:

- ABS design assessed

Materials:

Housing:

- Copper-free aluminum
- Optional Corro-free™ epoxy powder coat

Lens:

- Clear or diffused or polycarbonate

Mounting:

Versatile mounting options:

- Flush back mount
- Swivel/ceiling back mount
- Offset ceiling mount
- Offset wall mount
- Pole mount
- Pendant mount

Easily retrofit to:

- Existing Pauluhn DuraPro and MagnaPro fluorescent light fixtures
- Rig-A-Lite and Snelson C1D2 fluorescent lighting fixtures

Electrical ratings:

	DLL2	DLL4
Lumen output	3,958	7,900
Frequency	50/60 Hz	50/60 Hz
Voltage	100-277 VAC/108-250 VDC; 347-480 VAC	

Model	Voltage	Current (A)	Wattage (W)	Power factor	THD
DLL2/UNV1	100	0.33	32.5	0.92	<20%
DLL2/UNV1	277	0.13	34.3	0.92	<20%
DLL2/UNV34	347	0.10	32.2	0.92	<20%
DLL2/UNV34	480	0.07	34.5	0.92	<20%
DLL4/UNV1	100	0.63	63.4	0.92	<20%
DLL4/UNV1	277	0.23	62.5	0.92	<20%
DLL4/UNV34	347	0.18	61.4	0.92	<20%
DLL4/UNV34	480	0.13	63.9	0.92	<20%

Temperature codes:

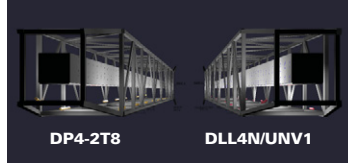
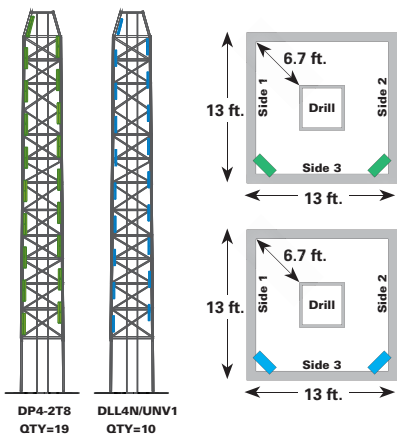
Ambient temperature	Min. temp. wire supply	Class I, Div. 2	Class II, Div. 2	Simultaneous rating
				Class I, Div. 2, Class II, Div. 2
40°C	60°C	T6	T6	T6
55°C	75°C	T5	T5	T5
65°C	90°C	T5	T5	T5

Weights:

Luminaire	lbs.	kg.
DLL2	12.5	5.7
DLL4	22.5	10.2

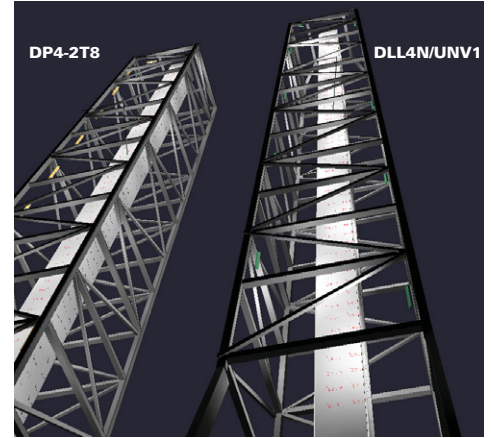
Photometrics: high mast derrick

4 foot DLL LED with 80° optics vs. 4 foot 2 lamp T8 DuraPro

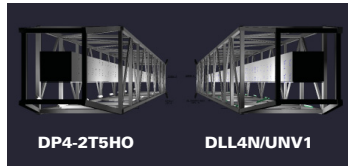
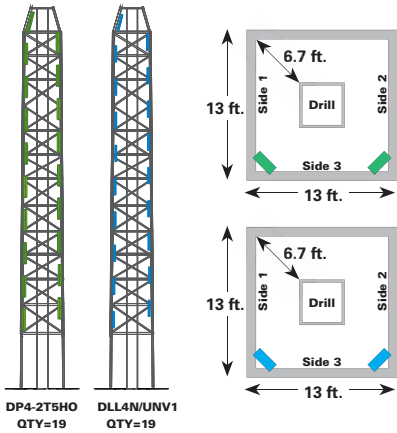


Model	Average footcandles	
	DLL4N/UNV1	DP4-2T8
Side 1	12.37	9.18
Side 2	10.80	9.56
Side 3	21.66	16.19

47% lower fixture count (19 vs.10) and higher average illumination on the drill.

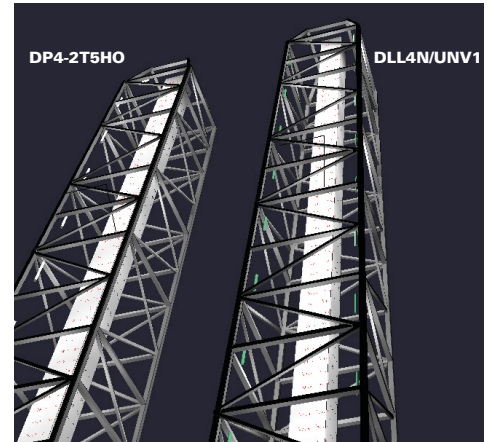


4 foot DLL LED with 80° optics vs. 4 foot. 2 lamp T5HO DuraPro



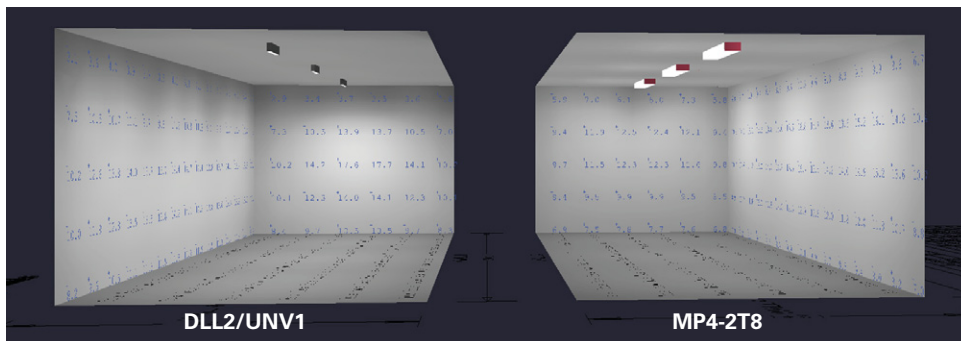
Model	Average footcandles	
	DLL4N/UNV1	DP4-2T5HO
Side 1	25.68	20.33
Side 2	18.88	20.52
Side 3	42.00	35.79

57% lower energy consumption and higher average illumination on the drill.



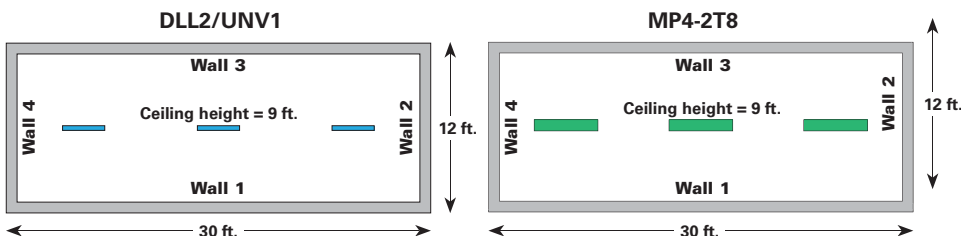
Photometrics: control room/pump shed

2 foot DLL LED with 120° optics vs. 4 foot 2 lamp T8 MagnaPro



Model	Average footcandles	
	DLL2/UNV1	MP4-2T8
Wall 1	10.11	11.55
Wall 2	9.90	9.10
Wall 3	10.16	11.56
Wall 4	9.66	9.10
Floor	17.85	13.86

64% lower energy consumption and higher average illumination on floor

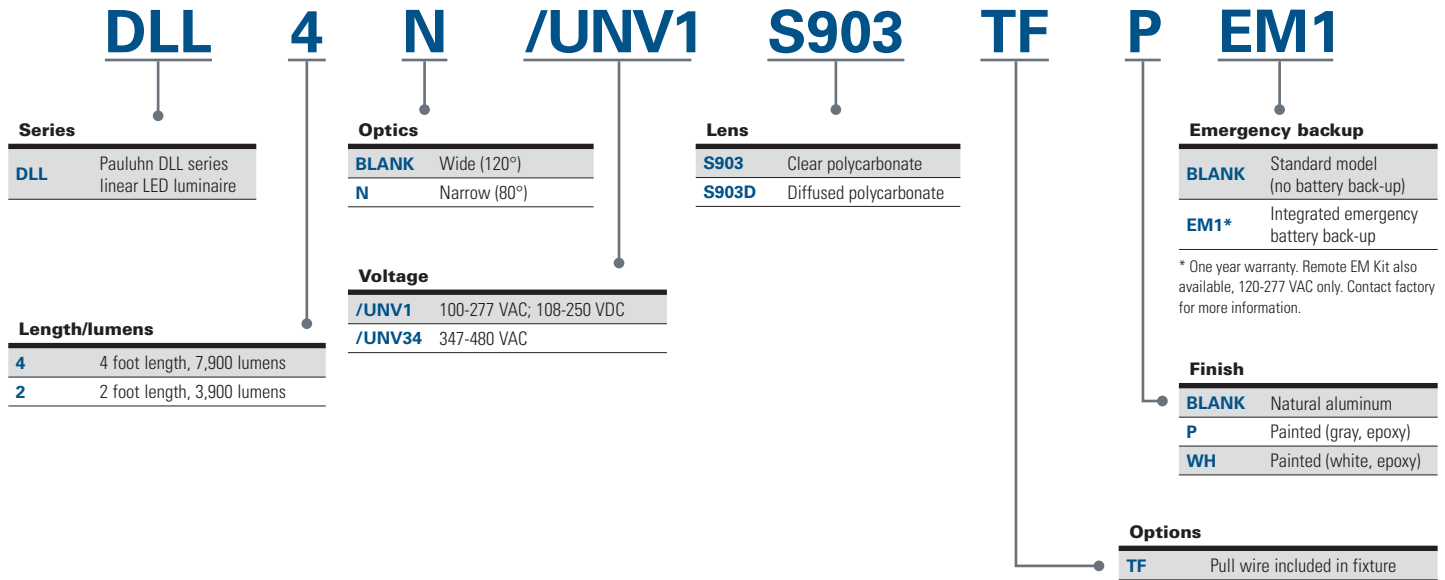


Ordering information

Part number example

DLL4N/UNV1 S903 TF P EM1

DLL series linear LED, cool white, 4 foot, ½" hubs, 80° narrow light pattern, 100-277 VAC driver, polycarbonate lens, through feed hubs, painted, battery back-up



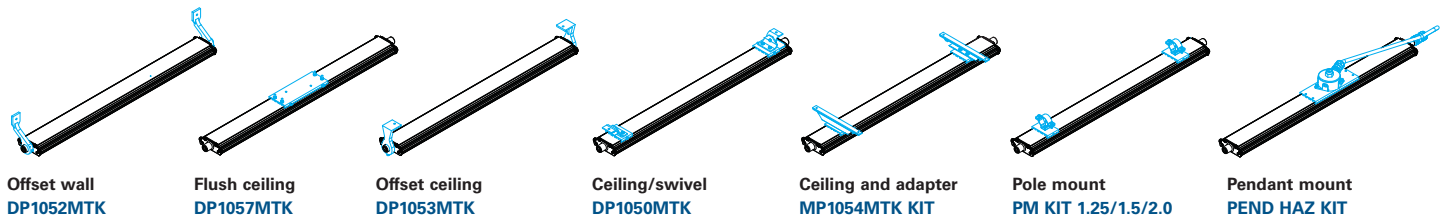
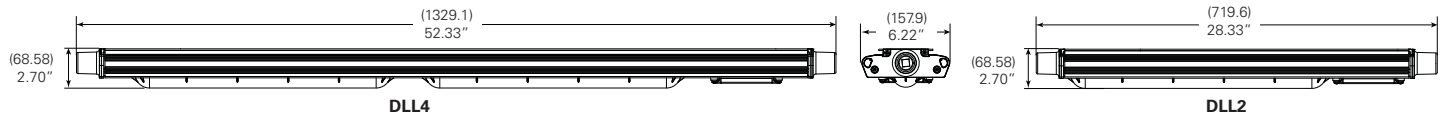
Accessories (ordered separately)

DP1057MTK	Flush/back mount back plate (compatible with DuraPro)
DP1050MTK	Ceiling/swivel mount (compatible with DuraPro)
DP1053MTK	Ceiling/wall mount offset (compatible with DuraPro)
MP1054MTK KIT	Ceiling mount bracket and adapter kit (compatible with MagnaPro)
DP1052MTK	Offset wall mount (compatible with DuraPro)
PM KIT 1.25	Pole mount kit, 1.25" conduit
PM KIT 1.5	Pole mount kit, 1.50" conduit
PM KIT 2.0	Pole mount kit, 2.00" conduit

Accessories (ordered separately)

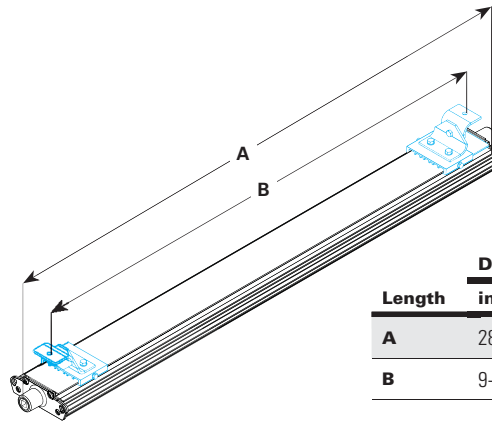
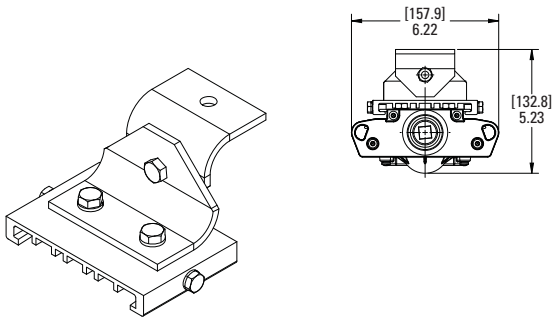
PEND HAZ KIT	Pendant mount kit
SS KIT	Safety chain kit
VMVL/UNV1 80W 1A KIT	1 amp driver replacement kit 100-277 VAC for 4 ft. linear
VMVL/UNV34 80W 1A KIT	1 amp driver replacement kit 347-480 VAC for 4 ft. linear
VMVL/UNV1 80W 0.5A KIT	0.5 amp driver replacement kit 100-277 VAC for 2 ft. linear
VMVL/UNV34 80W 0.5A KIT	0.5 amp driver replacement kit 347-480 VAC for 2 ft. linear

Dimensions & mounting options:



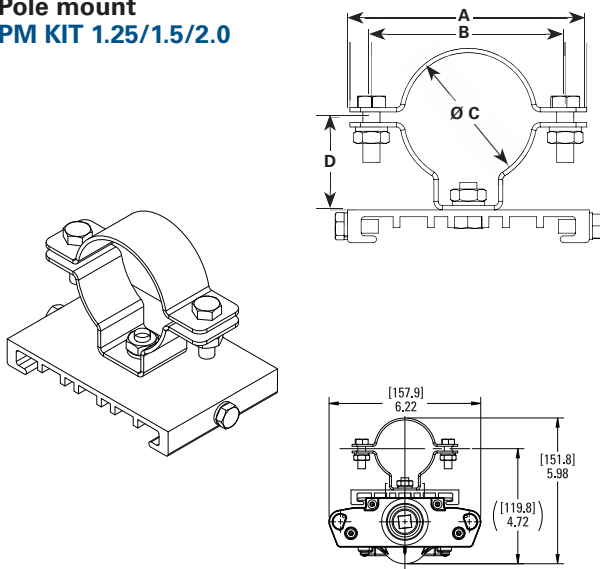
Mounting options

Ceiling/swivel mount DP1050MTK

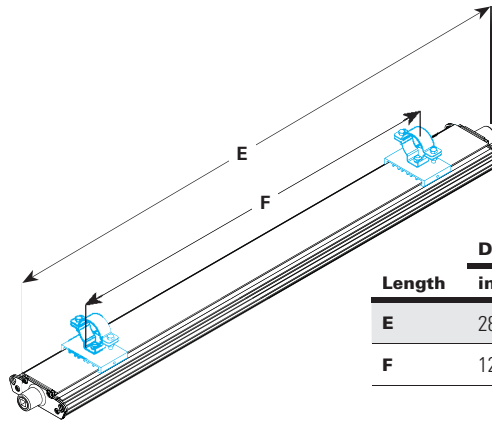


Length	DLL2		DLL4	
	in.	mm.	in.	mm.
A	28.3	720	52.3	1329
B	9-27	222-681	9-51	222-1289

Pole mount PM KIT 1.25/1.5/2.0

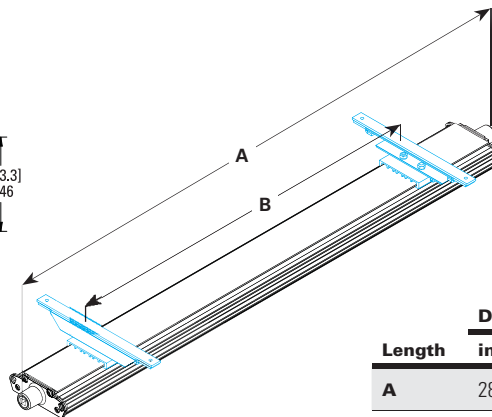
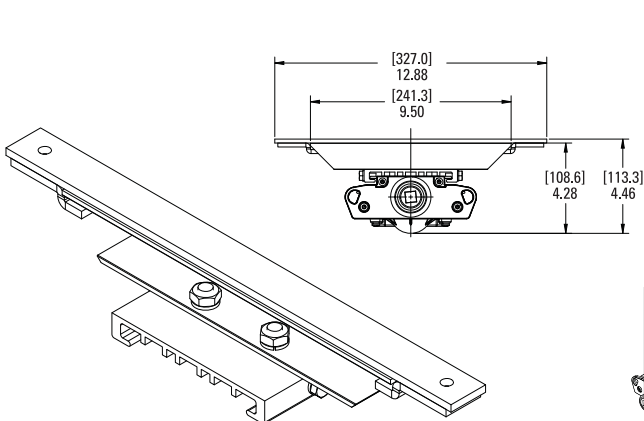


Configuration	ALL MEASUREMENTS IN INCHES			
	A	B	C	D
PM KIT 1.25	4.331	3.543	1.680	1.693
PM KIT 1.5	3.740	2.953	2.000	1.535
PM KIT 2.0	3.386	2.598	2.360	1.378



Length	DLL2		DLL4	
	in.	mm.	in.	mm.
E	28.3	720	52.3	1329
F	12-21	305-533	24-45	610-1143

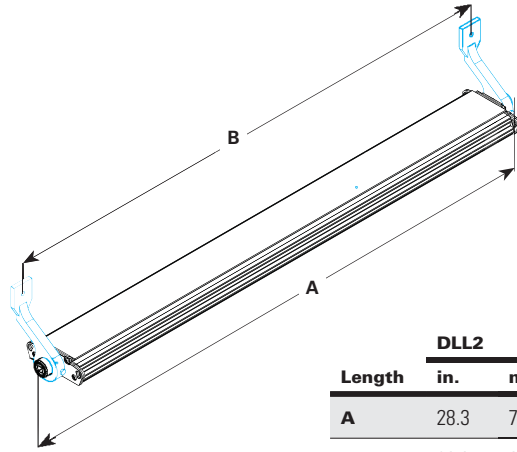
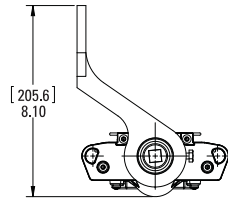
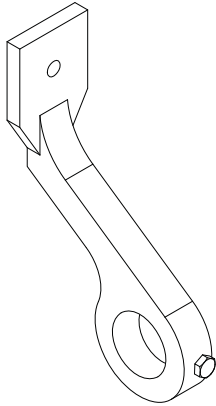
MagnaPro mount MP1054MTK KIT



Length	DLL2		DLL4	
	in.	mm.	in.	mm.
A	28.3	720	52.3	1329
B	12-22	305-559	24-46	610-1168

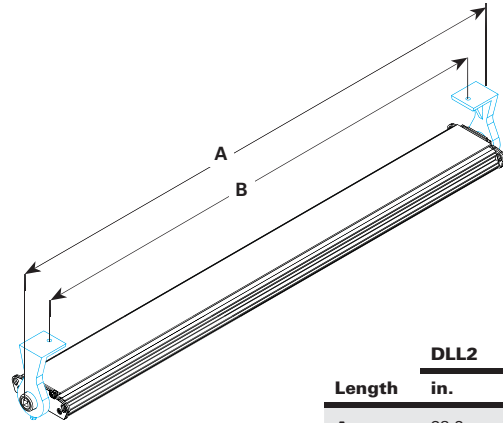
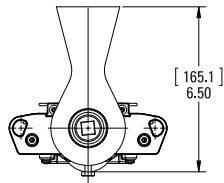
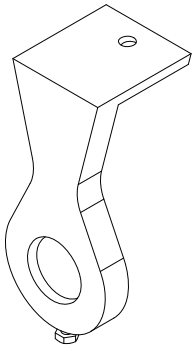
Mounting options

Offset wall DP1052MTK



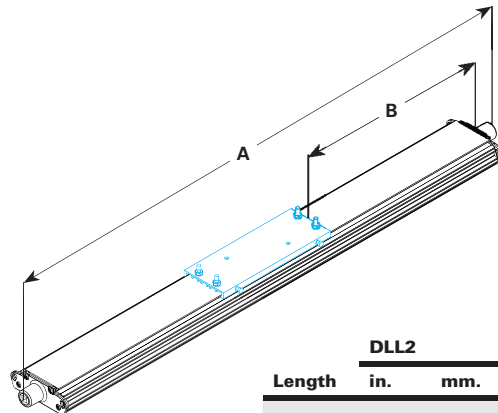
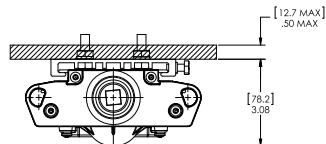
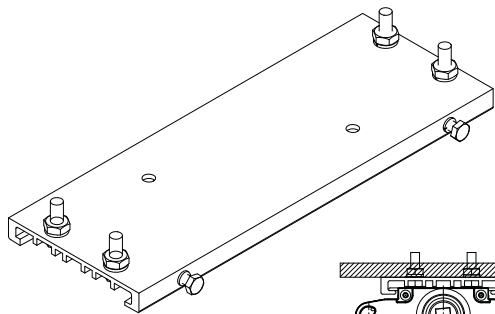
Length	DLL2		DLL4	
	in.	mm.	in.	mm.
A	28.3	720	52.3	1329
B	26.3	669	50.3	1278

Offset ceiling/wall mount DP1053MTK



Length	DLL2		DLL4	
	in.	mm.	in.	mm.
A	28.3	720	52.3	1329
B	26.3	584	47.0	1194

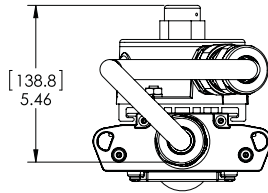
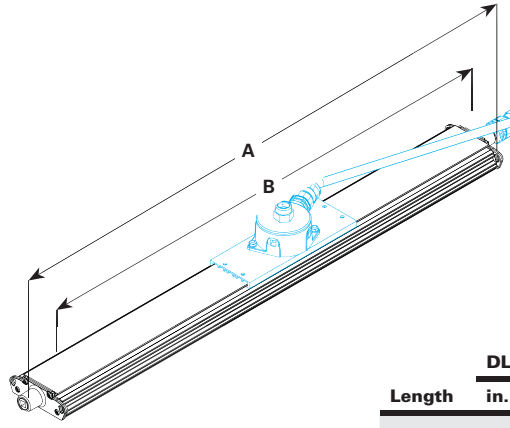
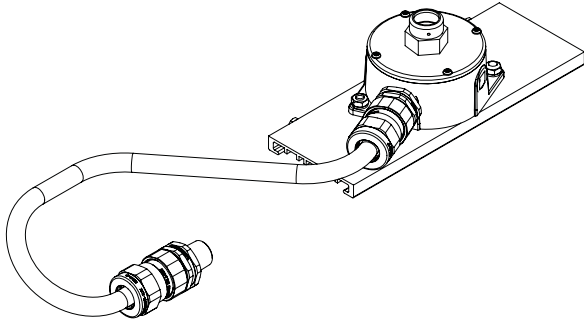
Flush ceiling DP1057MTK



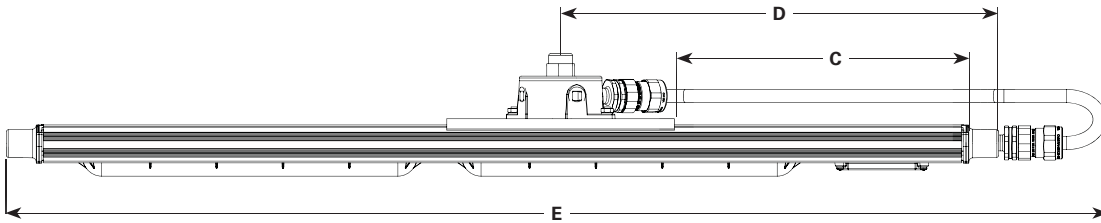
Length	DLL2		DLL4	
	in.	mm.	in.	mm.
A	28.3	720	52.3	1329
B	6.2	157.5	18.2	462

Mounting options

Pendant mount - Class I, Div. 2 only
PEND HAZ KIT



Length	DLL2		DLL4	
	in.	mm.	in.	mm.
A	31.7	805	55.8	1418
B	28.3	720	52.3	1329
C	4.2	108	16.0	406
D	12.2	310	24.0	610
E	34.9	886	58.9	1495



Battery back-up

Champ DLL linear LED luminaires are now available with an integral battery back-up module. Virtually the same size as the standard 4 foot model and up to 90 minutes of emergency lighting to keep your facility and people safe.



Model	EM output	Normal output
DLL4/UNV1 S903 EM1	1,400 lumens (100-277V)	6,720 lumens (100-277V)

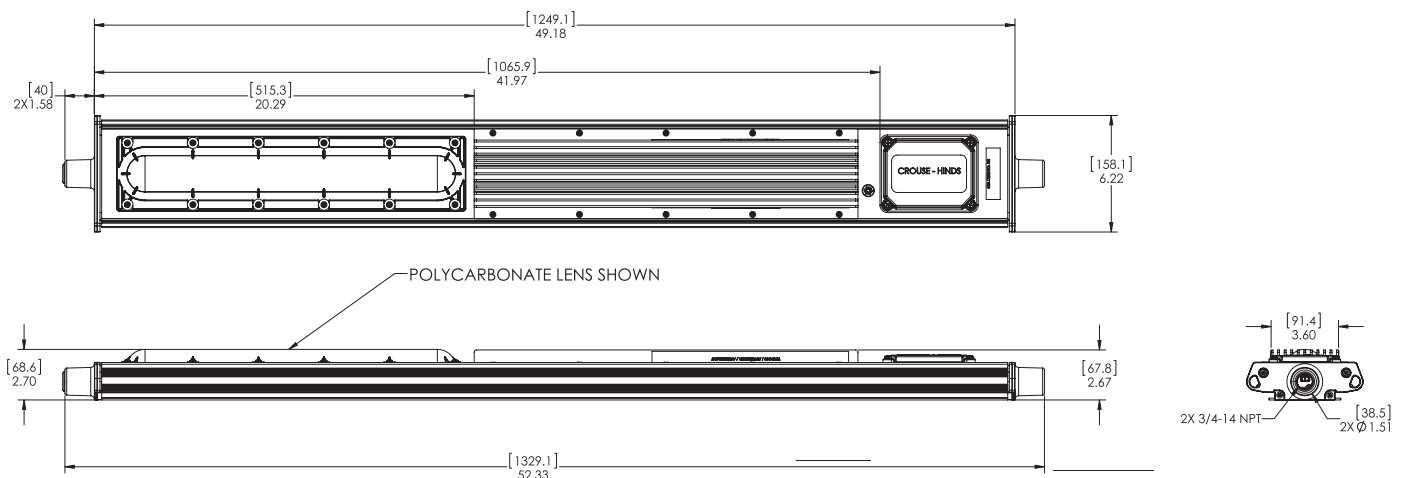
Applications:

- Egress and emergency lighting for areas requiring uninterrupted lighting during power failure
- Hazardous rated indoor and outdoor emergency lighting in manufacturing plants, heavy industrial, chemical and petrochemical facilities, platforms, loading docks and parking areas.

Key features:

- Operating ambient: 0°C to +40°C
- 90 minute runtime in emergency mode
- 6,720 lumen output for normal operation
- 1,400 in emergency mode
- 50,000 hours rated life @ 40°C
- IP66 rated enclosure
- LED indicator to check battery operation
- Nickel-cadmium battery
- 1 year warranty

Dimensions:



Certifications and compliances:

NEC/CEC

- Class I, Division 2, Groups A, B, C, D
- Class II, Division 2, Groups F, G
- Wet Location, IP66, Type 4X

UL Standards

- UL844 Hazardous (Classified)
- UL1598 Luminaires, UL1598A Marine
- UL924 Emergency Lighting

CSA Standard

- CSA C22.2 Nos. 137, 141

Electrical ratings:

Voltage	120	277
Amperage @ 120VAC	.48	.212
Wattage @ 120VAC	57.8	57.7
Lumen output	6,720	6,720
Frequency	50/60Hz	50/60Hz
Power factor @ 100 VAC	> .90	> .90
THD	6.58	11.70

Temperature codes:

Ambient temperature	Min. temp. wire supply	Class I, Div. 2	Class II, Div. I	Simultaneous rating Class I, Div. 2, Class II, Div. 1
40°C	60°C	T5	T6	T5

**U.S. (global headquarters):
Eaton's Crouse-Hinds business**

1201 Wolf Street
Syracuse, NY 13208

(866) 764-5454
FAX: (315) 477-5179
FAX Orders Only:
(866) 653-0640

crousecustomerctr@eaton.com

For more information:

If further assistance is required, please contact an authorized Eaton Distributor, Sales Office, or Customer Service Department.

Canada

Toll Free: 800-265-0502
FAX: (800) 263-9504
FAX Orders only: (866) 653-0645

Mexico/Latin America/Caribbean

52-555-804-4000
FAX: 52-555-804-4020
ventascentromex@eaton.com

Europe (Germany)

49 (0) 6271 806-500
49 (0) 6271 806-476
sales.CCH.de@
cooperindustries.com

Middle East

971 4 8066100
FAX: 971 4 8894813
chmesales@eaton.com

Singapore

65-6645-9888
FAX: 65-6297-4819
chsi-sales@
cooperindustries.com

China

86-21-2899-3600
FAX: 86-21-2899-4055
cchsales@
cooperindustries.com

Korea

82-2-3484-6783
82-2-3484-6778
CCHK-sales@
cooperindustries.com

Australia

61-2-8787-2777
FAX: 61-2-9609-2342
CEASales@
cooperindustries.com

India

91-124-4683888
FAX: 91-124-4683899
cchindia@
cooperindustries.com

Eaton
1000 Eaton Boulevard
Cleveland, OH 44122
United States
Eaton.com

© 2017 Eaton
All Rights Reserved
Printed in USA
Publication No. 5172-0317
March 2017

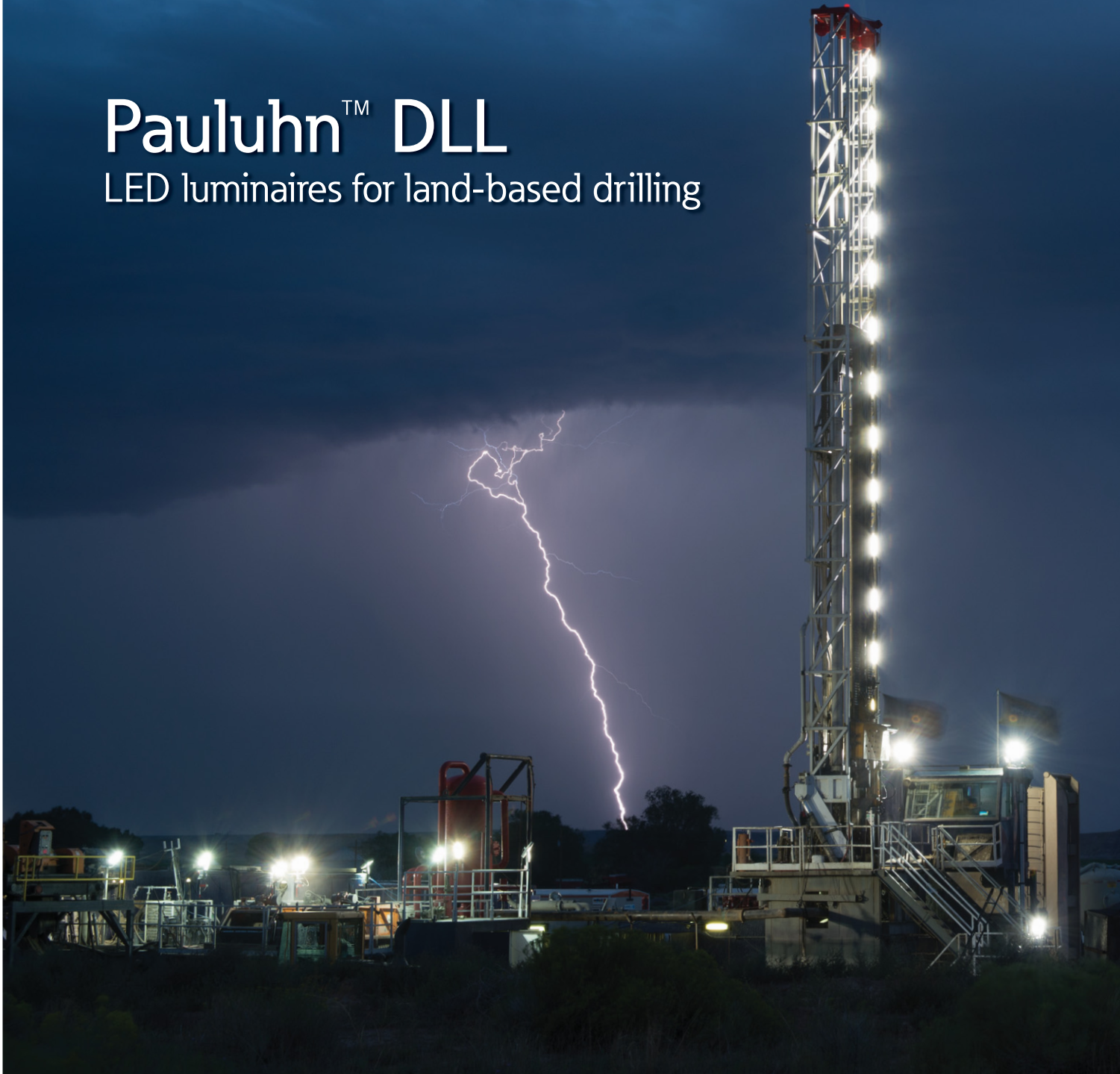
Eaton is a registered trademark.
All other trademarks are property
of their respective owners.

LED lighting for land-based rigs
Pauluhn™ DLL LED Luminaires

CROUSE-HINDS
SERIES

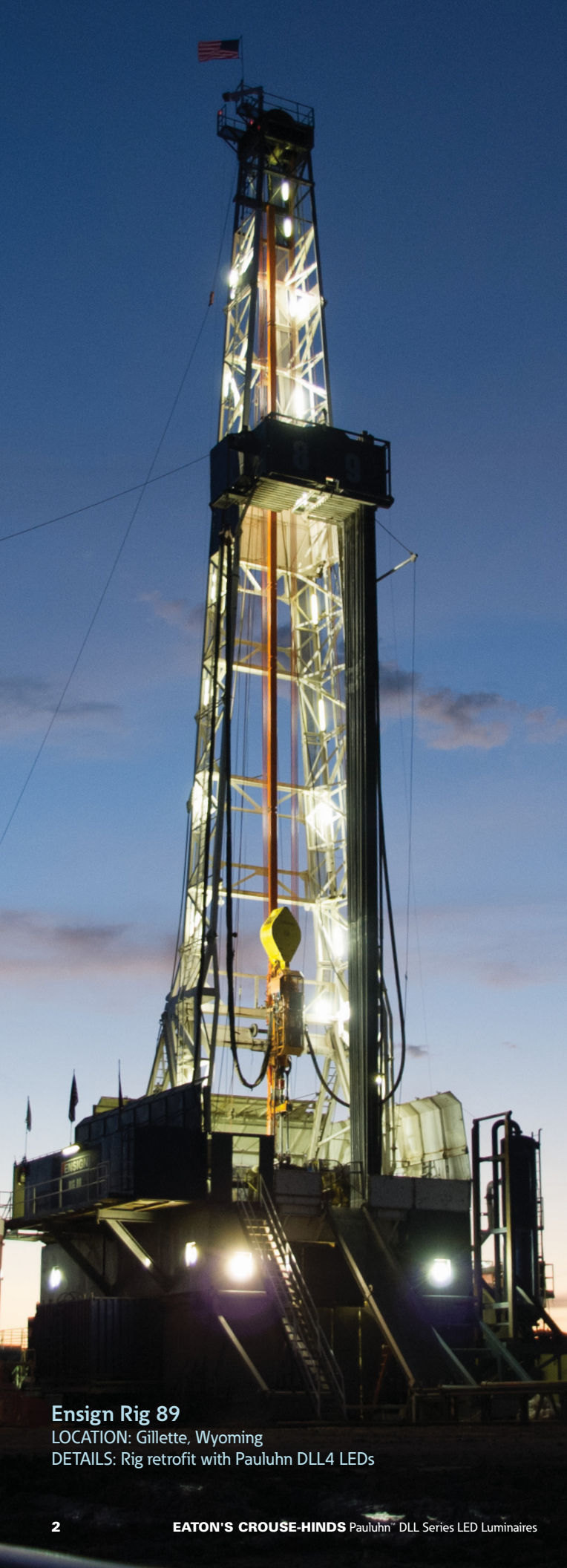
Pauluhn™ DLL

LED luminaires for land-based drilling



EATON

Powering Business Worldwide



Pauluhn™ DLL Series LEDs

Safe. Reliable. Efficient.

Featuring the industry's broadest range of LED luminaires for harsh and hazardous environments, Eaton's Crouse-Hinds can deliver a lighting solution that performs reliably in even the worst operating conditions. All the while reducing your energy, maintenance and manpower costs.



Why LED?

Useful life

Rated life is up to 60,000 hours of maintenance-free and safe operation

Energy efficiency

LED average energy consumption is 65% less than T12, T8 and T5HO fluorescent fixtures

Start/restart time

Instant illumination vs. 10 minute restrike time for fluorescent

Light quality

Higher color rendering and color temperature compared to fluorescent

Environmental benefits

Mercury-free LED eliminates disposal costs and lower energy consumption for a smaller carbon footprint

Why Crouse-Hinds?

Industry-best reliability

Built to withstand extreme temperatures, vibration, water and dust

Thermal management

Effective heat sinking ensures longer life

Quality of light

Custom optics designed to maximize light distribution and intensity

Retrofit compatibility

LED fixtures are compatible with Pauluhn DuraPro, MagnaPro, Rig-A-Lite™ and Snelson® fluorescent fixtures

Ensign Rig 89

LOCATION: Gillette, Wyoming

DETAILS: Rig retrofit with Pauluhn DLL4 LEDs

Why Pauluhn™ DLL LED?

Designed for drilling. Pauluhn DLL linear LED luminaires are engineered to stand up to the demanding conditions faced on land-based drilling rigs. The DLL stands up to high vibration, hose down, shock and impact, while delivering long life and high lumen performance for up to 20 years.

Custom optics:

- Standard wide (120°) beam spread for control room and indoor application maximizes illumination on wall panels
- Narrow (80°) beam spread option for high mast/derrick application avoids spillage and light loss

Comprehensive certification:

- Single model certified for use in Class I, Division 2 and Class II, Division 2 harsh and hazardous applications

Quick & easy installation:

- Easy access to drivers and wiring
- No custom brackets or hardware needed
- Seven mounting options available
- Easily retrofit to Pauluhn DuraPro and MagnaPro, Rig-A-Lite and Snelson

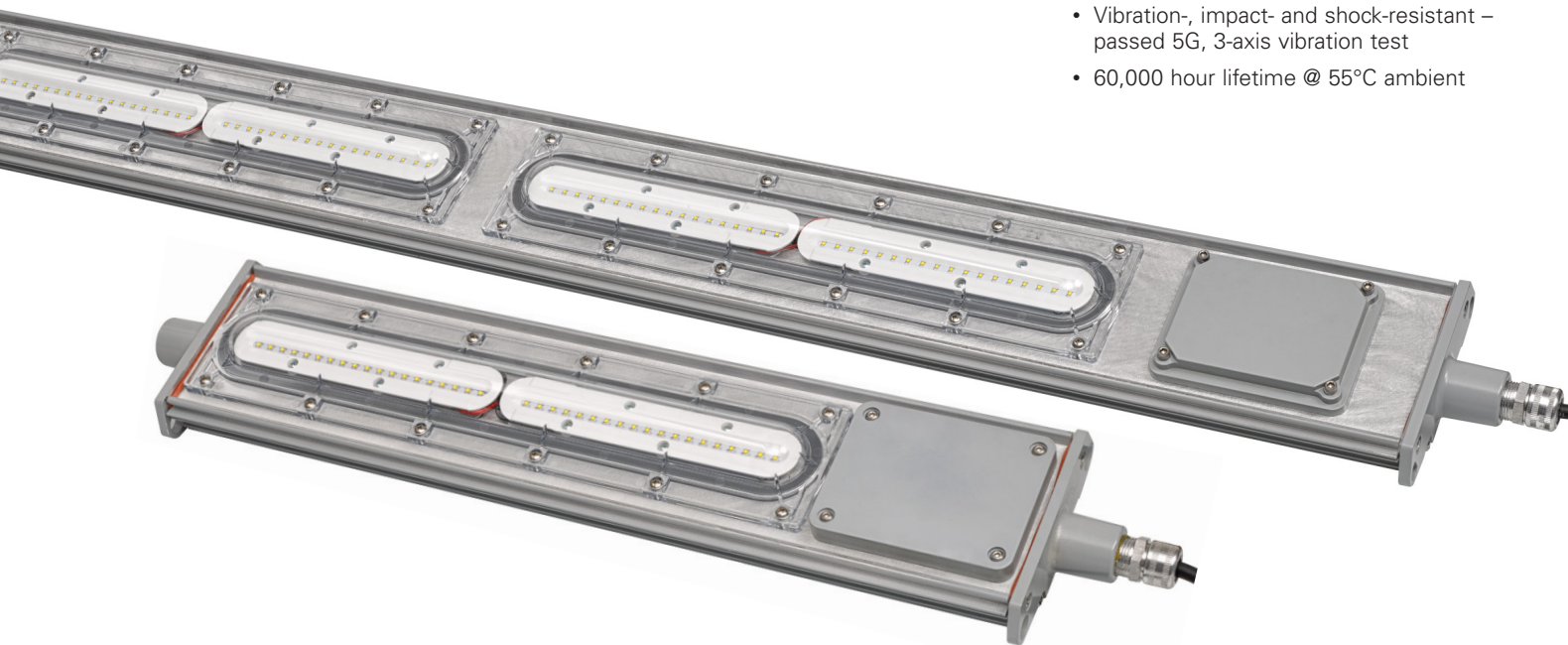


Slim profile:

- 2.7" fixture height (excluding mounting brackets)
- Perfect for mounting in confined or low height areas

Built to last:

- Ingress protection from hose down water or diesel fuel in harsh operational conditions – passed 2,000 psi high pressure test
- Vibration-, impact- and shock-resistant – passed 5G, 3-axis vibration test
- 60,000 hour lifetime @ 55°C ambient



Case study: land-rig retrofit

Location:

Ensign Rig 122, Vernal, Utah

Challenge:

Ensign was looking for a rugged, low maintenance solution to replace existing Pauluhn DuraPro fluorescent fixtures on a drilling rig.

Solution:

Install Pauluhn DLL 2 foot linear LED luminaires

Results:

Ensign was easily able to replace 21 DuraPro fixtures with 14 DLLs in only about an hour by using the existing DuraPro brackets. Ensign saw better light quality on the mast and deck, while reducing amperage load and eliminating lamp maintenance.



Pauluhn™ DLL Series LED Luminaires

The Pauluhn DLL Linear LED by Eaton's Crouse-Hinds is specifically designed to replace fluorescent T12, T8 and T5HO lighting on land-based and offshore drilling platforms. The rugged and durable design features the industry's most versatile and flexible mounting options. The Pauluhn DLL is the ideal solution for high vibration, impact and hose down in drilling applications.

Applications:

Land-based and offshore rigs; areas include: derrick, mast, SCR house, top drive, operator's house, power and pump stations.

Key features & benefits:

- High efficacy: up to 120 LPW
- -40°C to +65°C ambient operating temperature (standard model)
- Low profile fixture (<3" height)
- Versatile ceiling/swivel, wall, flush, pole and pendant mounting options
- Wide and narrow optics for uniform illumination in control room and drill mast
- Four points of secondary retention
- 2,000 psi high pressure hose rated
- High vibration resistance
- Emergency battery back-up (90 minutes) and surge protection options (up to 10kV)‡
- DesignLights Consortium® Qualified (some models are not DLC qualified)*
- 5 year fixture warranty†



‡ One year warranty

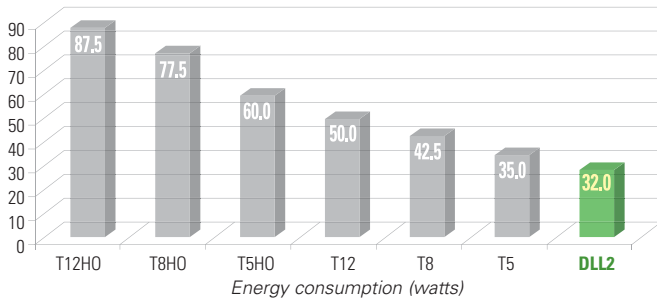
* Refer to www.designlights.org Qualified Products List under Family Models for full listing details. Not all models are approved for all application categories.

† Refer to page 2 of the D-0716 authorized distributor price book for Crouse-Hinds standard Terms and Conditions.



Energy consumption comparison

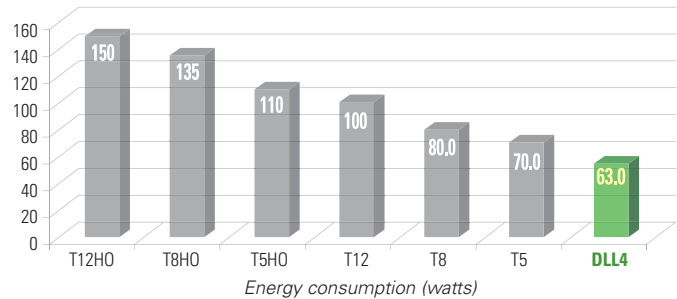
2 foot DLL linear LED vs. fluorescent



Model	Typical lumens	Wattage	Lumens per watt	Equivalent HID luminaire	Typical energy savings / lifetime
DLL2	3,958	32	124	T12HO	Up to 63%
				T8HO	Up to 59%
				T5HO	Up to 47%
				T12	Up to 36%
				T8	Up to 25%
				T5	Up to 9%

All luminaires in the comparison are 2 lamp, 2 foot

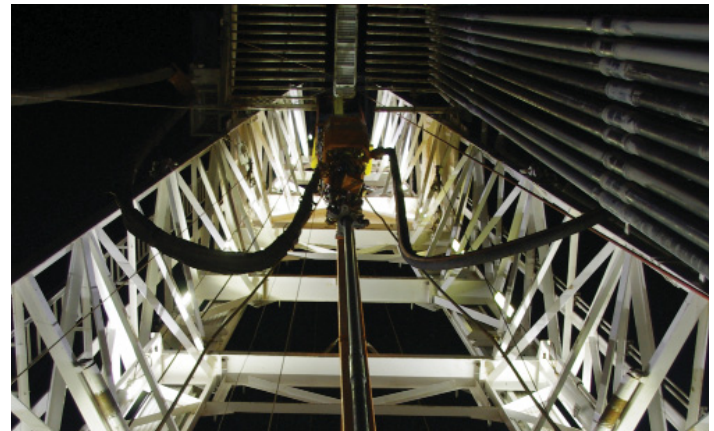
4 foot DLL linear LED vs. fluorescent



Model	Typical lumens	Wattage	Lumens per watt	Equivalent HID luminaire	Typical energy savings / lifetime
DLL4	7,900	63	130	T12HO	Up to 58%
				T8HO	Up to 54%
				T5HO	Up to 43%
				T12	Up to 37%
				T8	Up to 22%
				T5	Up to 10%

All luminaires in the comparison are 2 lamp, 4 foot

Specifications



Certifications:

NEC standards:

- Class I, Division 2, Groups A, B, C, D
- Class II, Division 2, Groups F, G
- Class I, Zone 2
- Class III
- NEMA 4X; IP66
- Marine and wet locations

UL standards:

- UL844 Electrical Fixture Hangers for Hazardous Locations
- UL1598 Luminaire
- UL1598A Luminaire for Installation on Marine Vessels
- UL924 for Emergency Lighting

CSA standard:

- C22.2 No. 137

Additional certifications:

- ABS design assessed

Materials:

Housing:

- Copper-free aluminum
- Optional Corro-free™ epoxy powder coat

Lens:

- Clear or diffused or polycarbonate

Mounting:

Versatile mounting options:

- Flush back mount
- Swivel/ceiling back mount
- Offset ceiling mount
- Offset wall mount
- Pole mount
- Pendant mount

Easily retrofit to:

- Existing Pauluhn DuraPro and MagnaPro fluorescent light fixtures
- Rig-A-Lite and Snelson C1D2 fluorescent lighting fixtures

Electrical ratings:

	DLL2	DLL4
Lumen output	3,958	7,900
Frequency	50/60 Hz	50/60 Hz
Voltage	100-277 VAC/108-250 VDC; 347-480 VAC	

Model	Voltage	Current (A)	Wattage (W)	Power factor	THD
DLL2/UNV1	100	0.33	32.5	0.92	<20%
DLL2/UNV1	277	0.13	34.3	0.92	<20%
DLL2/UNV34	347	0.10	32.2	0.92	<20%
DLL2/UNV34	480	0.07	34.5	0.92	<20%
DLL4/UNV1	100	0.63	63.4	0.92	<20%
DLL4/UNV1	277	0.23	62.5	0.92	<20%
DLL4/UNV34	347	0.18	61.4	0.92	<20%
DLL4/UNV34	480	0.13	63.9	0.92	<20%

Temperature codes:

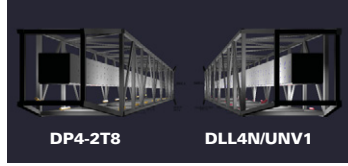
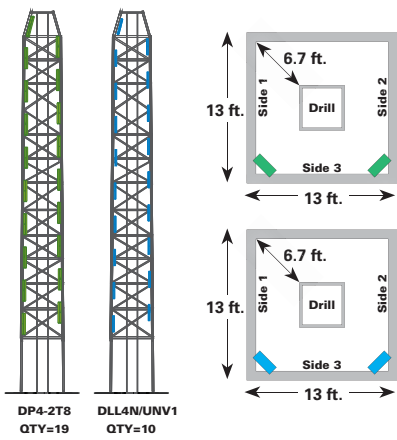
Ambient temperature	Min. temp. wire supply	Class I, Div. 2	Class II, Div. 2	Simultaneous rating
				Class I, Div. 2, Class II, Div. 2
40°C	60°C	T6	T6	T6
55°C	75°C	T5	T5	T5
65°C	90°C	T5	T5	T5

Weights:

Luminaire	lbs.	kg.
DLL2	12.5	5.7
DLL4	22.5	10.2

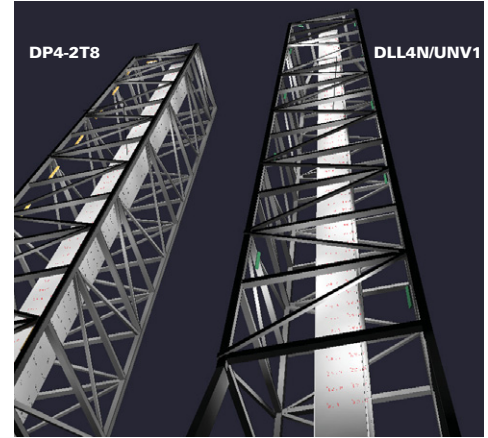
Photometrics: high mast derrick

4 foot DLL LED with 80° optics vs. 4 foot 2 lamp T8 DuraPro

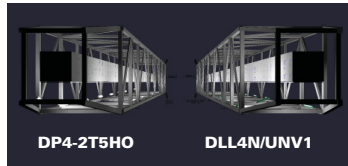
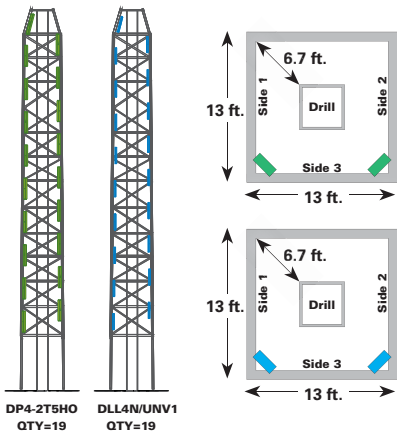


Model	Average footcandles	
	DLL4N/UNV1	DP4-2T8
Side 1	12.37	9.18
Side 2	10.80	9.56
Side 3	21.66	16.19

47% lower fixture count (19 vs.10) and higher average illumination on the drill.

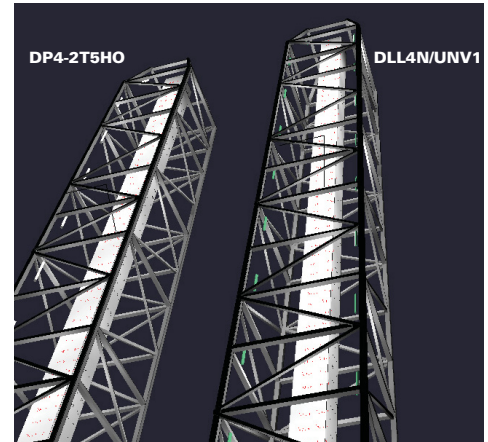


4 foot DLL LED with 80° optics vs. 4 foot. 2 lamp T5HO DuraPro



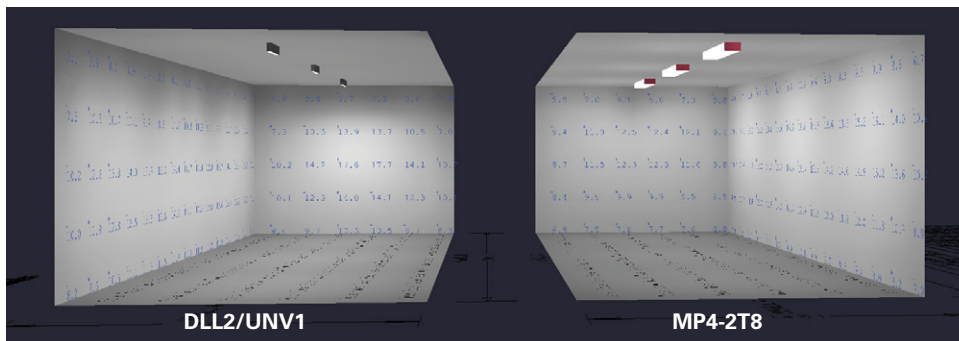
Model	Average footcandles	
	DLL4N/UNV1	DP4-2T5HO
Side 1	25.68	20.33
Side 2	18.88	20.52
Side 3	42.00	35.79

57% lower energy consumption and higher average illumination on the drill.



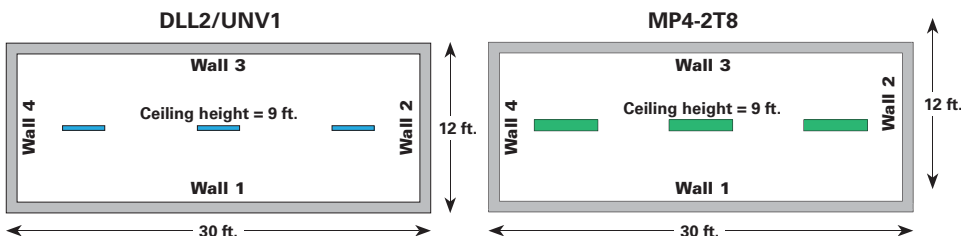
Photometrics: control room/pump shed

2 foot DLL LED with 120° optics vs. 4 foot 2 lamp T8 MagnaPro



Model	Average footcandles	
	DLL2/UNV1	MP4-2T8
Wall 1	10.11	11.55
Wall 2	9.90	9.10
Wall 3	10.16	11.56
Wall 4	9.66	9.10
Floor	17.85	13.86

64% lower energy consumption and higher average illumination on floor

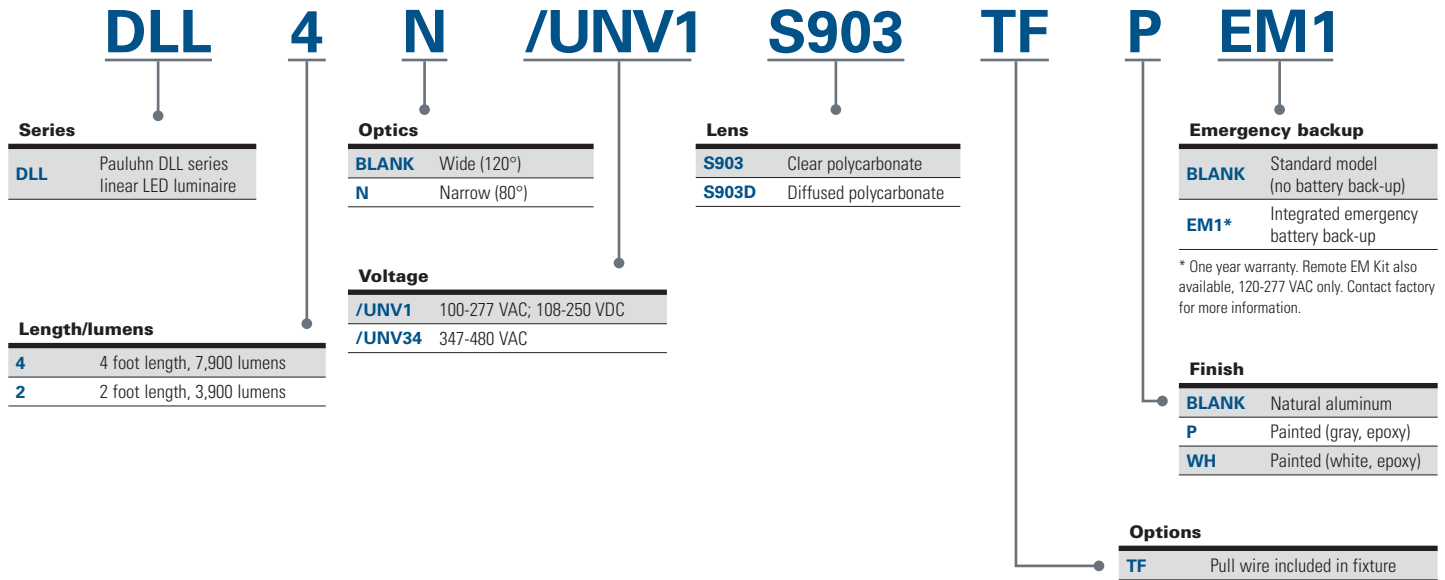


Ordering information

Part number example

DLL4N/UNV1 S903 TF P EM1

DLL series linear LED, cool white, 4 foot, ½" hubs, 80° narrow light pattern, 100-277 VAC driver, polycarbonate lens, through feed hubs, painted, battery back-up



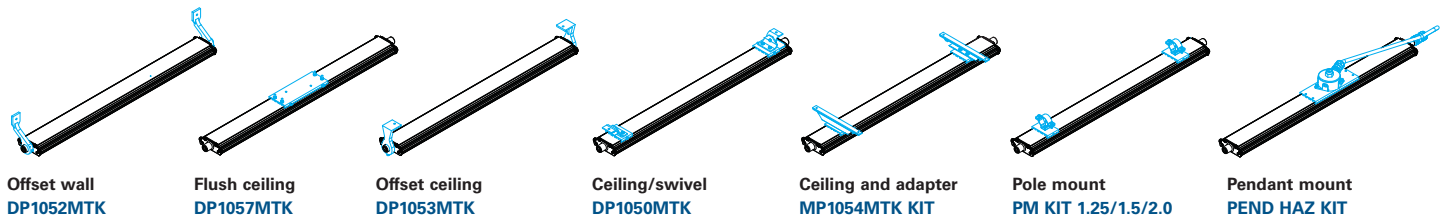
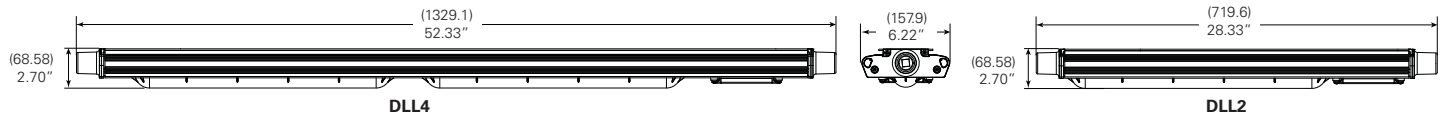
Accessories (ordered separately)

DP1057MTK	Flush/back mount back plate (compatible with DuraPro)
DP1050MTK	Ceiling/swivel mount (compatible with DuraPro)
DP1053MTK	Ceiling/wall mount offset (compatible with DuraPro)
MP1054MTK KIT	Ceiling mount bracket and adapter kit (compatible with MagnaPro)
DP1052MTK	Offset wall mount (compatible with DuraPro)
PM KIT 1.25	Pole mount kit, 1.25" conduit
PM KIT 1.5	Pole mount kit, 1.50" conduit
PM KIT 2.0	Pole mount kit, 2.00" conduit

Accessories (ordered separately)

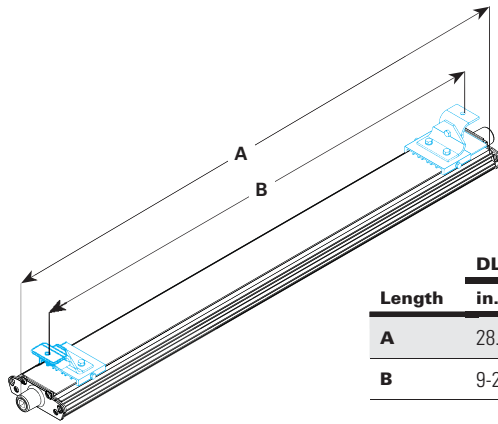
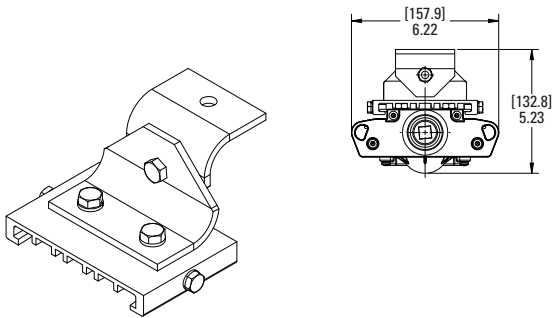
PEND HAZ KIT	Pendant mount kit
SS KIT	Safety chain kit
VMVL/UNV1 80W 1A KIT	1 amp driver replacement kit 100-277 VAC for 4 ft. linear
VMVL/UNV34 80W 1A KIT	1 amp driver replacement kit 347-480 VAC for 4 ft. linear
VMVL/UNV1 80W 0.5A KIT	0.5 amp driver replacement kit 100-277 VAC for 2 ft. linear
VMVL/UNV34 80W 0.5A KIT	0.5 amp driver replacement kit 347-480 VAC for 2 ft. linear

Dimensions & mounting options:



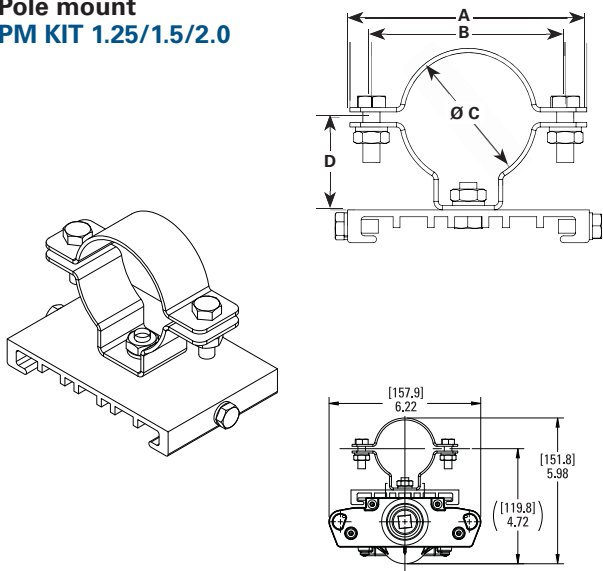
Mounting options

Ceiling/swivel mount DP1050MTK

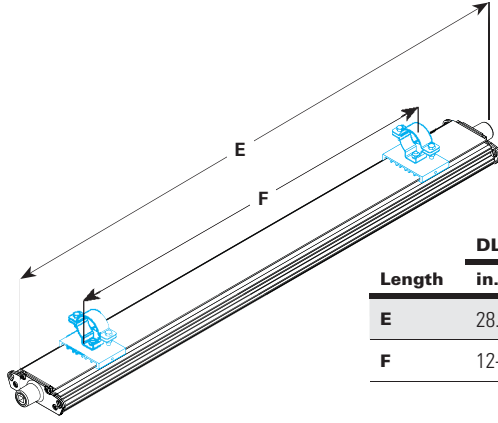


Length	DLL2		DLL4	
	in.	mm.	in.	mm.
A	28.3	720	52.3	1329
B	9-27	222-681	9-51	222-1289

Pole mount PM KIT 1.25/1.5/2.0

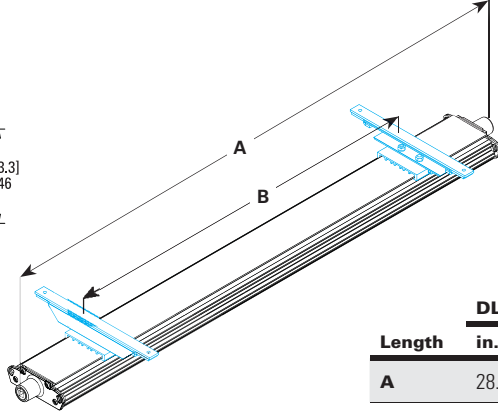
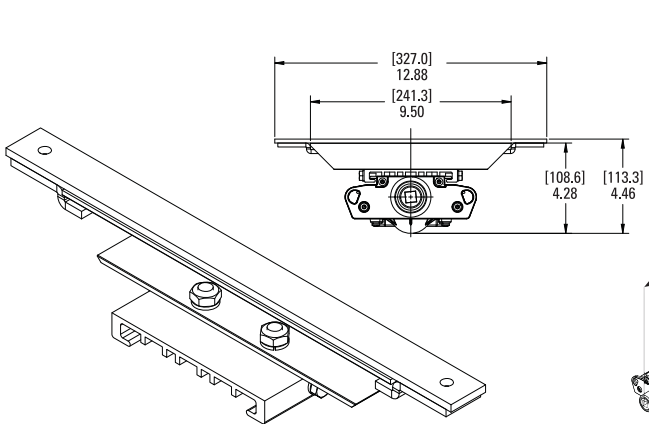


Configuration	ALL MEASUREMENTS IN INCHES			
	A	B	C	D
PM KIT 1.25	4.331	3.543	1.680	1.693
PM KIT 1.5	3.740	2.953	2.000	1.535
PM KIT 2.0	3.386	2.598	2.360	1.378



Length	DLL2		DLL4	
	in.	mm.	in.	mm.
E	28.3	720	52.3	1329
F	12-21	305-533	24-45	610-1143

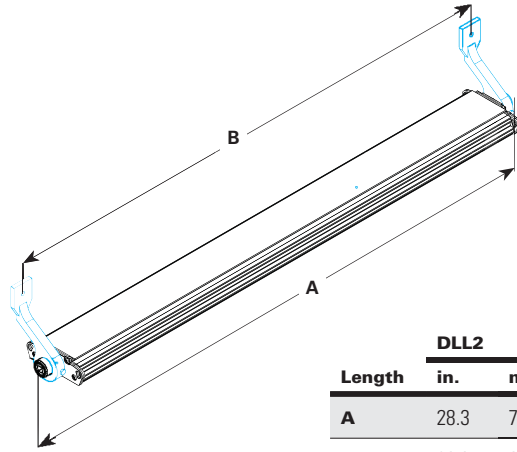
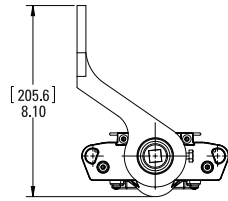
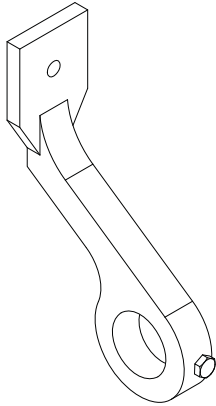
MagnaPro mount MP1054MTK KIT



Length	DLL2		DLL4	
	in.	mm.	in.	mm.
A	28.3	720	52.3	1329
B	12-22	305-559	24-46	610-1168

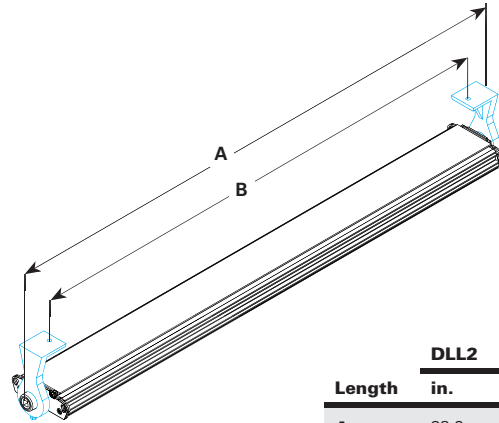
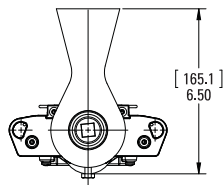
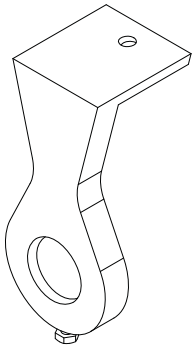
Mounting options

Offset wall DP1052MTK



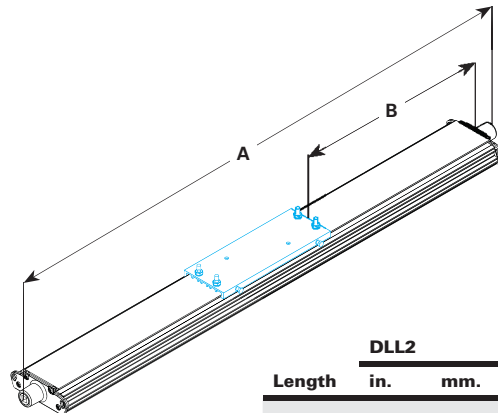
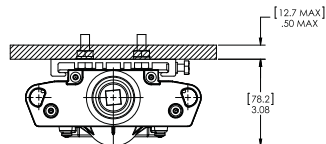
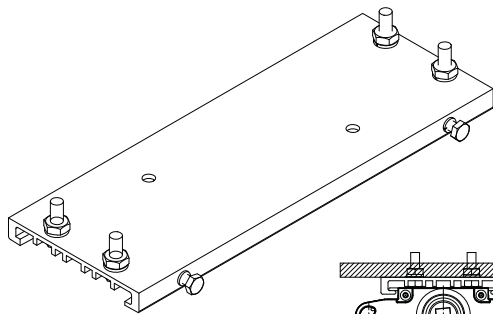
Length	DLL2		DLL4	
	in.	mm.	in.	mm.
A	28.3	720	52.3	1329
B	26.3	669	50.3	1278

Offset ceiling/wall mount DP1053MTK



Length	DLL2		DLL4	
	in.	mm.	in.	mm.
A	28.3	720	52.3	1329
B	26.3	584	47.0	1194

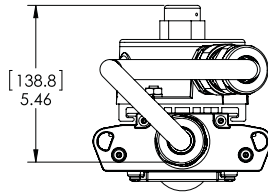
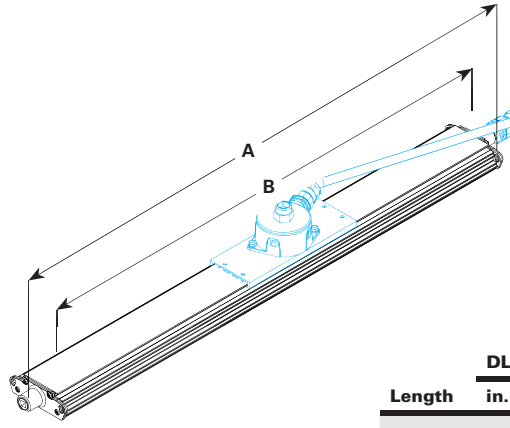
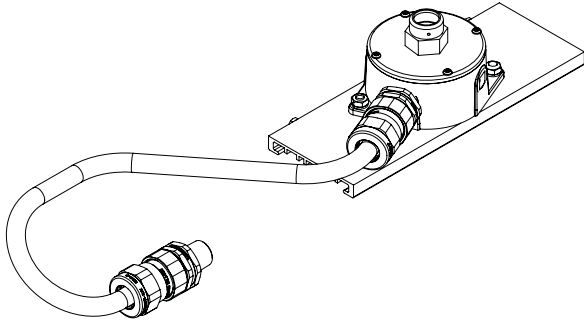
Flush ceiling DP1057MTK



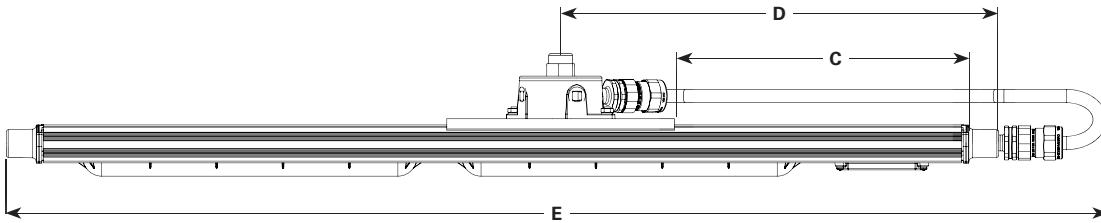
Length	DLL2		DLL4	
	in.	mm.	in.	mm.
A	28.3	720	52.3	1329
B	6.2	157.5	18.2	462

Mounting options

Pendant mount - Class I, Div. 2 only
PEND HAZ KIT



Length	DLL2		DLL4	
	in.	mm.	in.	mm.
A	31.7	805	55.8	1418
B	28.3	720	52.3	1329
C	4.2	108	16.0	406
D	12.2	310	24.0	610
E	34.9	886	58.9	1495



Battery back-up

Champ DLL linear LED luminaires are now available with an integral battery back-up module. Virtually the same size as the standard 4 foot model and up to 90 minutes of emergency lighting to keep your facility and people safe.



Model	EM output	Normal output
DLL4/UNV1 S903 EM1	1,400 lumens (100-277V)	6,720 lumens (100-277V)

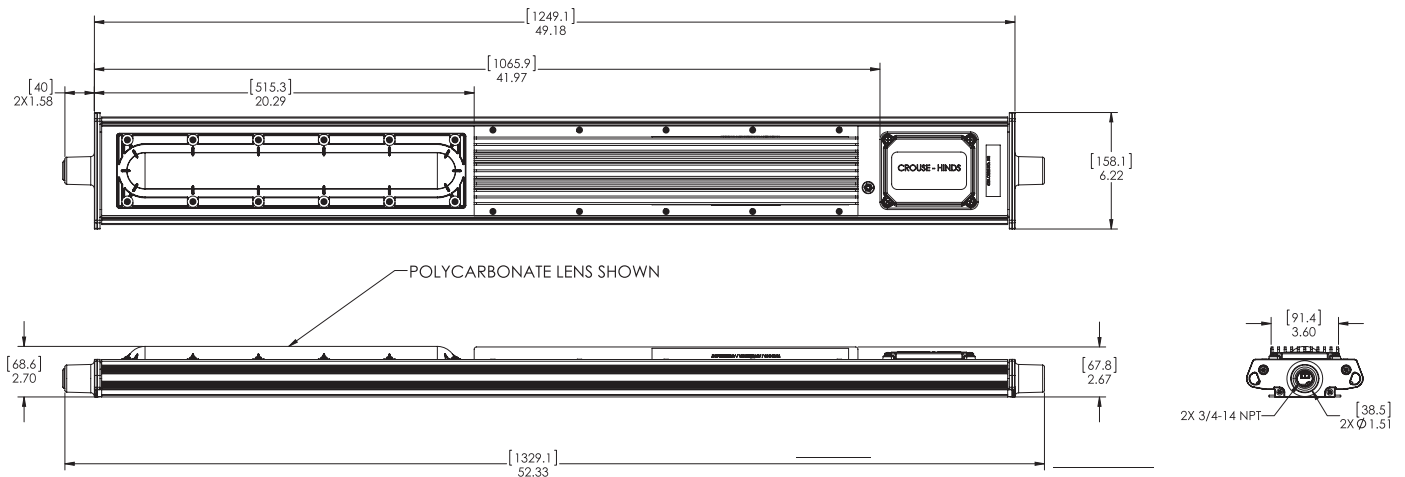
Applications:

- Egress and emergency lighting for areas requiring uninterrupted lighting during power failure
- Hazardous rated indoor and outdoor emergency lighting in manufacturing plants, heavy industrial, chemical and petrochemical facilities, platforms, loading docks and parking areas.

Key features:

- Operating ambient: 0°C to +40°C
- 90 minute runtime in emergency mode
- 6,720 lumen output for normal operation
- 1,400 in emergency mode
- 50,000 hours rated life @ 40°C
- IP66 rated enclosure
- LED indicator to check battery operation
- Nickel-cadmium battery
- 1 year warranty

Dimensions:



Certifications and compliances:

NEC/CEC

- Class I, Division 2, Groups A, B, C, D
- Class II, Division 2, Groups F, G
- Wet Location, IP66, Type 4X

UL Standards

- UL844 Hazardous (Classified)
- UL1598 Luminaires, UL1598A Marine
- UL924 Emergency Lighting

CSA Standard

- CSA C22.2 Nos. 137, 141

Electrical ratings:

Voltage	120	277
Amperage @ 120VAC	.48	.212
Wattage @ 120VAC	57.8	57.7
Lumen output	6,720	6,720
Frequency	50/60Hz	50/60Hz
Power factor @ 100 VAC	> .90	> .90
THD	6.58	11.70

Temperature codes:

Ambient temperature	Min. temp. wire supply	Class I, Div. 2	Class II, Div. I	Simultaneous rating Class I, Div. 2, Class II, Div. 1
40°C	60°C	T5	T6	T5

**U.S. (global headquarters):
Eaton's Crouse-Hinds business**

1201 Wolf Street
Syracuse, NY 13208

(866) 764-5454
FAX: (315) 477-5179
FAX Orders Only:
(866) 653-0640

crousecustomerctr@eaton.com

For more information:

If further assistance is required, please contact an authorized Eaton Distributor, Sales Office, or Customer Service Department.

Canada

Toll Free: 800-265-0502
FAX: (800) 263-9504
FAX Orders only: (866) 653-0645

Mexico/Latin America/Caribbean

52-555-804-4000
FAX: 52-555-804-4020
ventascentromex@eaton.com

Europe (Germany)

49 (0) 6271 806-500
49 (0) 6271 806-476
sales.CCH.de@
cooperindustries.com

Middle East

971 4 8066100
FAX: 971 4 8894813
chmesales@eaton.com

Singapore

65-6645-9888
FAX: 65-6297-4819
chsi-sales@
cooperindustries.com

China

86-21-2899-3600
FAX: 86-21-2899-4055
cchsales@
cooperindustries.com

Korea

82-2-3484-6783
82-2-3484-6778
CCHK-sales@
cooperindustries.com

Australia

61-2-8787-2777
FAX: 61-2-9609-2342
CEASales@
cooperindustries.com

India

91-124-4683888
FAX: 91-124-4683899
cchindia@
cooperindustries.com

Eaton
1000 Eaton Boulevard
Cleveland, OH 44122
United States
Eaton.com

© 2017 Eaton
All Rights Reserved
Printed in USA
Publication No. 5172-0317
March 2017

Eaton is a registered trademark.
All other trademarks are property
of their respective owners.