

## HazMax Pinnacle/al



### FEATURES

- Fluorescent system provides energy savings up to 50% when compared to HID.
- Multi voltage electronic ballast resistant to brownouts or voltage and frequency fluctuations.
- Field replaceable lens and gasket.
- Acrylic lens withstands constant exposure to sunlight and contact with petroleum based products.
- Neoprene gasket resists petroleum.
- Permanent safety cable mounting points at each end.
- Fixture may be mounted horizontally or vertically and rotated up to 270°.
- Tool less entry via heavy duty twist draw latches.
- Lens frame hinged on side for easy lamp replacement.
- Spring loaded lamp holders, for linear lamps resist shock and vibration.
- Optional self contained emergency battery backup ballasts.
- Optional certified test switch on emergency models.

### APPLICATIONS

- Hazardous locations
- Watertight requirements
- Dusttight requirements
- Oil and gas exploration and production
- Waste water treatment plants
- Pipeline compressor / pumping & storage
- Maintenance & lubrication pits
- Petrochemical facilities
- High abuse areas

### APPROVALS

- Class I Division 2 Groups A, B, C & D
- Class I Zone 2 Groups IIA, IIB & IIC
- Class II Division 2 Groups F & G
- Class III
- Type 4
- Conforms to IP66

### STANDARDS

- UL 844 - Hazardous Locations
- UL 1598 - Luminaires
- CSA - Class 3428 03
- CSA - Class 3428 83

### TECHNICAL SPECIFICATIONS

#### HOUSING

Extruded aluminum with cast end caps.

#### LENS

0.125 inch thick clear acrylic, optional polycarbonate.

#### REFLECTOR

Aluminum parabolic with an electrostatically applied powder coat finish. Minimum 90% reflectance.

#### GASKET

One piece neoprene.

#### MOUNTING

Optional mounting kits available. Please see MOUNTING OPTIONS.

#### LATCHES

Plated steel twist draw.

#### LAMP HOLDER

Double spring loaded on linear models.

#### ENTRIES

½" NPT feed-through outlets, ¾" NPT outlets optional.

#### LAMP TYPES

See ORDERING REFERENCES. Lamps not provided.

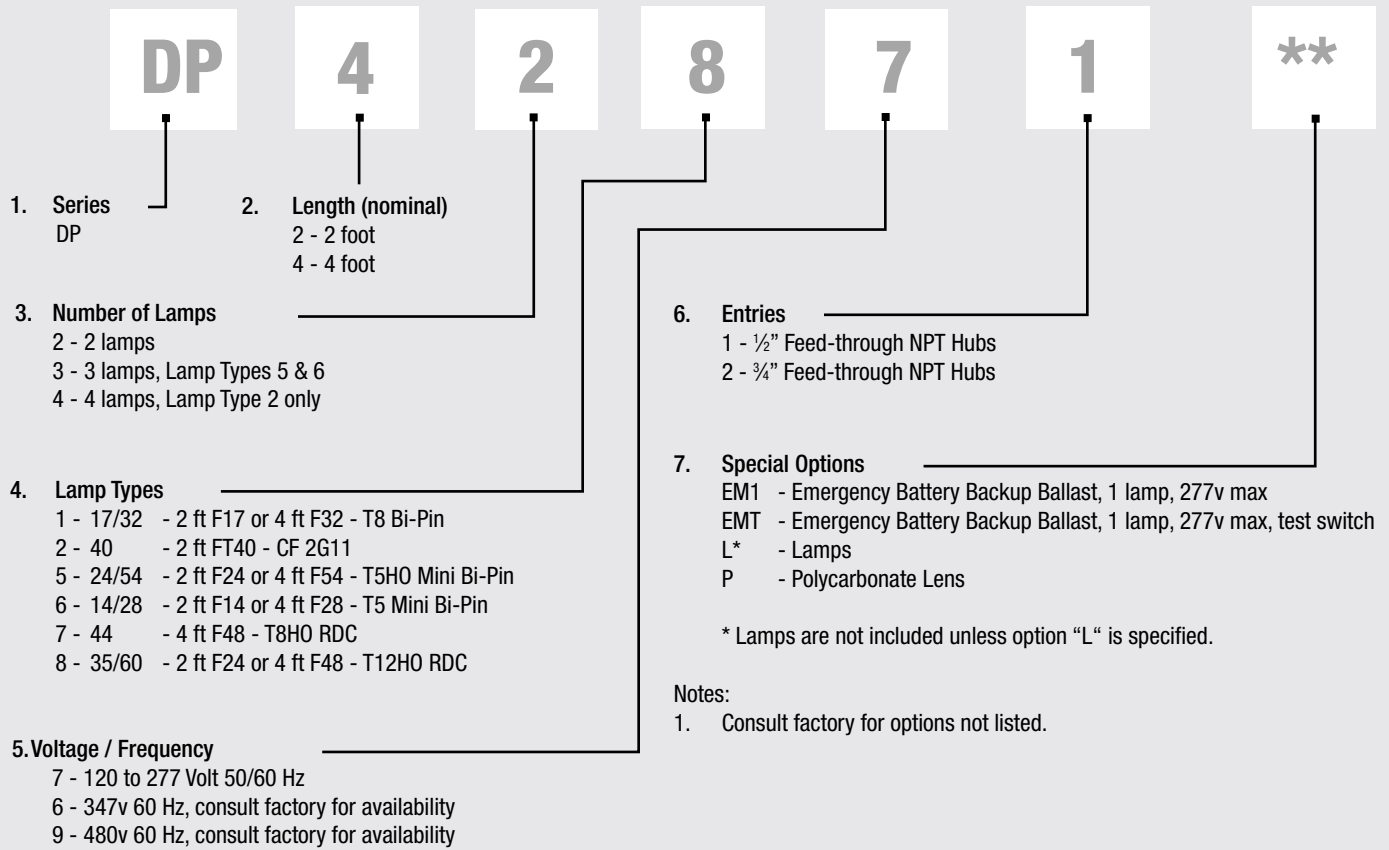
#### BALLAST

120 to 277 volt 50/60 Hz electronic, optional 347v and 480v.

#### EMERGENCY BATTERY BACKUP BALLAST

Optional, self contained 90 minute minimum for all lamp types. 120 minutes minimum for F32T8 one lamp. Starting temperature 32°F/0°C.

## ORDERING REFERENCES



## TEMPERATURE CODES & APPROVALS

Lamp Wattage	Ballast/Socket Type	ANSI Lamp Code	Class I T-Code	Class I Division 2	Class II Division 2	Class III	Class II & III T-Code	Starting Temp	Maximum Ambient*	Supply Wire
17	T8 Bi-Pin G13	F17-T8	T5	A,B,C & D	F & G	Yes	T3C	0°F / -18°C	55°C	90°C
32	T8 Bi-Pin G13	F32-T8	T5	A,B,C & D	F & G	Yes	T3C	-20°F / -29°C	55°C	90°C
40	4 Pin 2G11	FT40-CF	T5	A,B,C & D	F & G	Yes	T3C	0°F / -18°C	55°C	90°C
24/54	T5HO Mini Bi-Pin G5	F24/F54-T5HO	T5	A,B,C & D	N/A	No	N/A	-20°F / -29°C	40°C	90°C
14/28	T5 Mini Bi-Pin G5	F14/F28-T5	T5	A,B,C & D	F & G	Yes	T3C	0°F / -18°C	40°C	90°C
44	T8HO RDC R17d	F48-T8HO	T4A	A,B,C & D	F & G	Yes	T3C	-20°F / -29°C	40°C	90°C
35/60	T12HO RDC R17d	F24/F48-T12HO	T4A	A,B,C & D	F & G	Yes	T3C	-20°F / -29°C	40°C	90°C

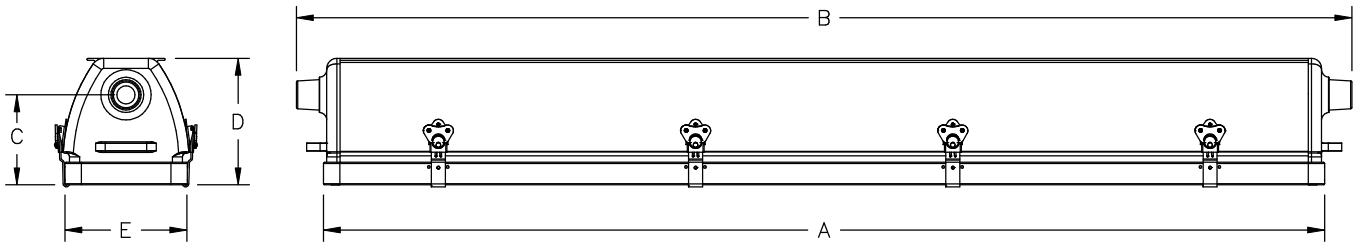
\*Consult factory for optional higher ambient models.

# HazMax Pinnacle/al

## SPARE PARTS

Part No.	Description		
FX5350	BALLAST 120-277V AC 50/60HZ, 1 x 14, F14T5	FX3568	LAMP, 24w, F24T5HO
FX5350	BALLAST 120-277V AC 50/60HZ, 1 x 28, F28T5	FX3567	LAMP, 54w, F54T5HO
FX5307	BALLAST 120-277V AC 50/60HZ, 1 x 24, F24T5HO	FX3528	LAMP, 17w, F17T8
FX5305	BALLAST 120-277V AC 50/60HZ, 1 x 54, F54T5HO	FX3527	LAMP, 32w, F32T8
FX5174	BALLAST 120-277V AC 50/60HZ, 1 x 17, F17T8	FX3565	LAMP, 44w, F48T8HO
FX5221	BALLAST 120-277V AC 50/60HZ, 1 x 32, F32T8	FX3507	LAMP, 35w, F24T12HO
FX5349	BALLAST 120-277V AC 50/60HZ, 1 x 44, F48T8HO	FX3505	LAMP, 60w, F48T12HO
FX5334	BALLAST 120-277V AC 50/60HZ, 1 x 35, F24T12HO	FX3533	LAMP, 40w CF, FT40 2G11
FX5334	BALLAST 120-277V AC 50/60HZ, 1 x 60, F48T12HO	103-2000	LENS & FRAME ASSEMBLY, 2 ft. models
FX5272	BALLAST 120-277V AC 50/60HZ, 1 X 40 CF, FT40 2G11	103-2001	DOOR FRAME ONLY, 2 ft. models
FX5350	BALLAST 120-277V AC 50/60HZ, 2 x 14, F14T5	103-2100	LENS ONLY, (acrylic), for 2 ft. models
FX5350	BALLAST 120-277V AC 50/60HZ, 2 x 28, F28T5	103-2200	LENS GASKET, 2 ft. models
FX5307	BALLAST 120-277V AC 50/60HZ, 2 x 24, F24T5HO	103-2300	REFLECTOR, 2 ft. models
FX5305	BALLAST 120-277V AC 50/60HZ, 2 X 54, F54T5HO	035-1060	Latch assembly
FX5340	BALLAST 120-277V AC 50/60HZ, 2 x 17, F17T8	103-4000	LENS & FRAME ASSEMBLY, 4 ft. models
FX5340	BALLAST 120-277V AC 50/60HZ, 2 x 32, F32T8	103-4001	DOOR FRAME ONLY, 4 ft. models
FX5349	BALLAST 120-277V AC 50/60HZ, 2 x 44, F48T8HO	103-4100	LENS ONLY (acrylic), 4 ft. models
FX5334	BALLAST 120-277V AC 50/60HZ, 2 x 35, F24T12HO	103-4200	LENS GASKET, 4 ft. models
FX5334	BALLAST 120-277V AC 50/60HZ, 2 x 60, F48T12HO	103-4300	REFLECTOR, 4 ft. models
FX5272	BALLAST 120-277V AC 50/60HZ, 2 x 40, FT40 2G11	758-0523	LAMP HOLDER, HO T8 & T12
FX5128HDU	EMERGENCY BATTERY BACKUP BALLAST, EM1/EMT1, 120v-277v, CF, T8, T8HO & T12HO	752-6051	LAMP HOLDER, 2G11, 4 Pin
FX5346HDU	EMERGENCY BATTERY BACKUP BALLAST, EM1/EMT1, 120v-277v, T5 & T5HO	754-7102	LAMP HOLDER, T12 & T8, Bi-Pin
FX3573	LAMP, 14w, F14T5	754-0005	LAMP HOLDER, T5 HO, fixed & spring set
FX3574	LAMP, 28w, F28T5		

## DIMENSIONS



Nominal Length	Dimensions in Inches / Centimeters					Carton L x W x D inches	Nominal Weight	
	A	B	C	D	E		Lbs	Kg
2 Foot	26.0 / 66.0	27.6 / 70.2	4.4 / 11.1	6.3 / 16.0	6.5 / 16.5	8¼ X 6¼ X 31⅞	23.0	10.4
4 Foot	50.0 / 127.0	51.6 / 131.1	4.4 / 11.1	6.3 / 16.0	6.5 / 16.5	10 X 8 X 56	32.0	14.55

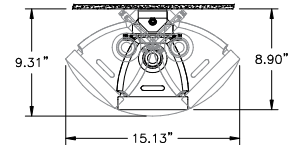
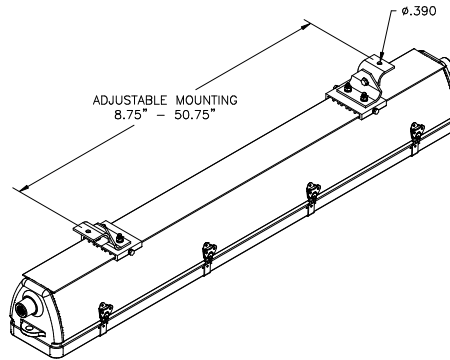
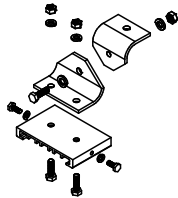
## MOUNTING OPTIONS

### DP1050MTK\*

Back mount swivel kit.

2 aluminum brackets with slide mount.

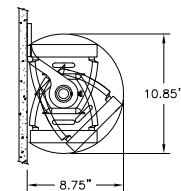
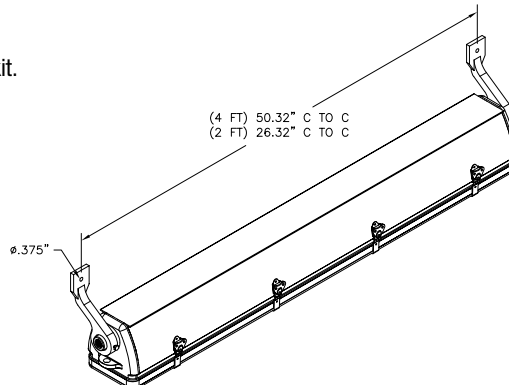
\*Add suffix PS for plated steel swivel brackets.



### DP1052MTK

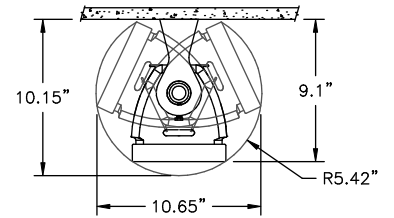
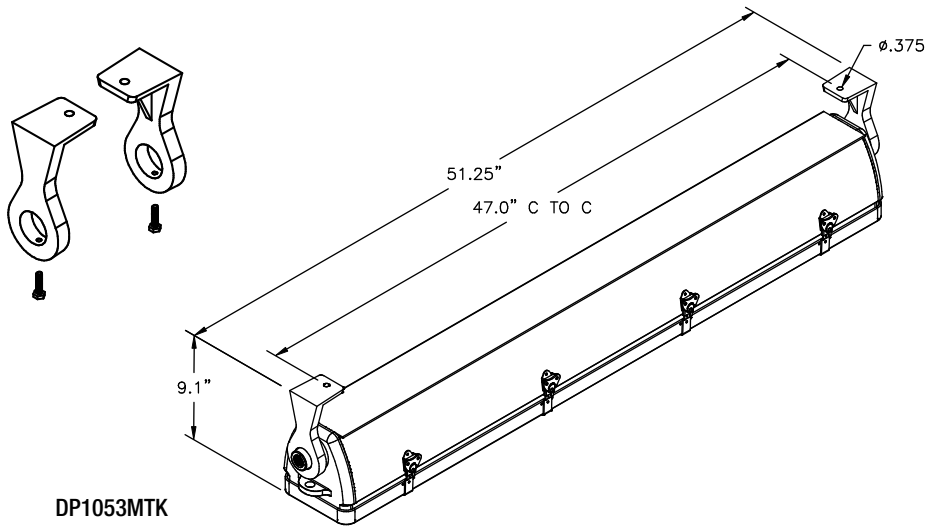
Offset wall or ceiling mounting kit.

2 cast aluminum brackets.

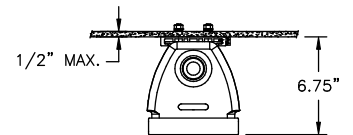
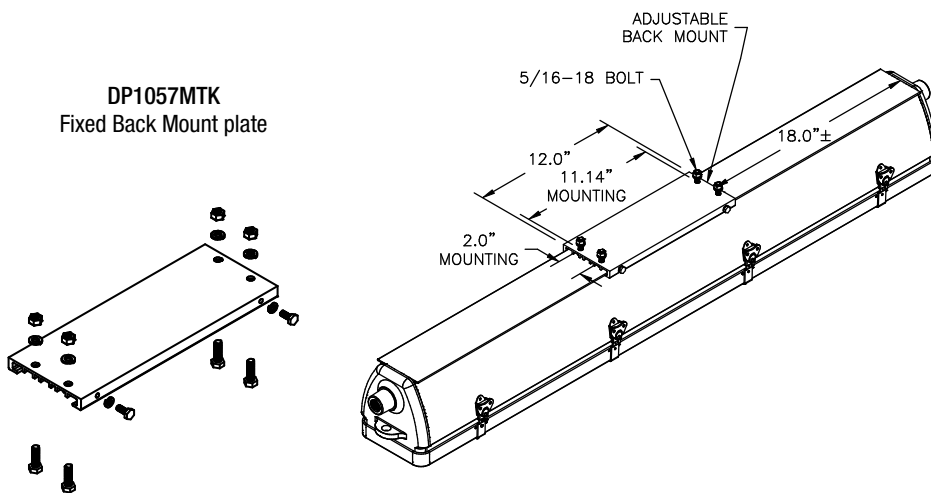


# HazMax Pinnacle/al

## MOUNTING OPTIONS



**DP1053MTK**  
Ceiling or wall mounting kit.  
2 Cast aluminum brackets.



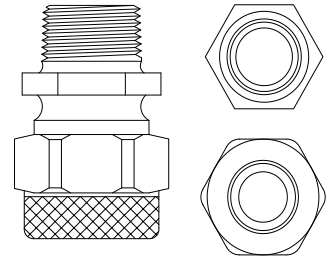
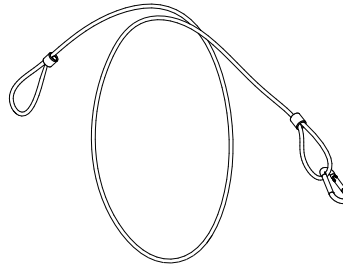
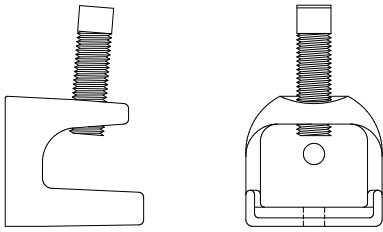
**DP1057MTK**  
Fixed Back Mount plate

## MOUNTING OPTIONS

### FX7028

#### Beam Clamp Kit

Includes Beam clamps (2), Safety Cable & Cable Gland.



### BC2K

#### 2 Beam Clamp Kit.

For use with Surface mount kit.

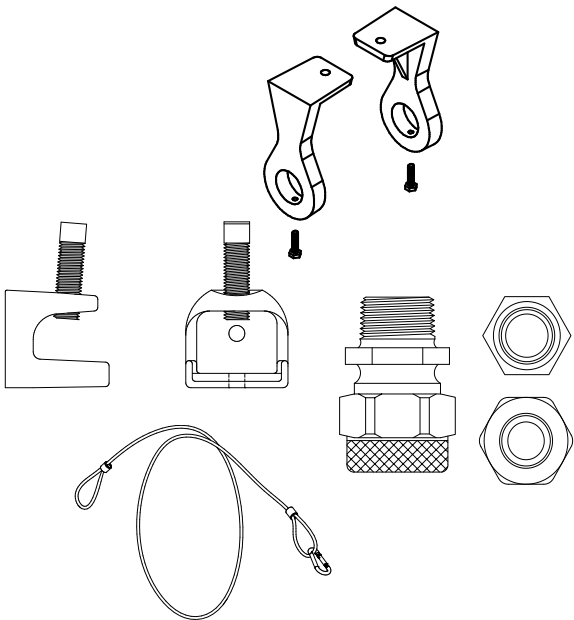
### SC30H

48" Safety Cable with snap hook.

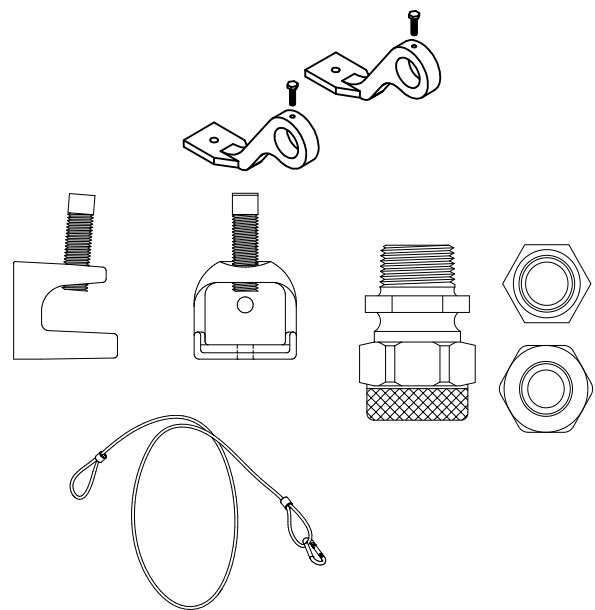
### CX1502

Cable Gland  $\frac{3}{4}$ " Aluminum,  
Cord Grip Range .438 - .562.

**DP-STKT**  
Includes FX7028 and DP1053MTK.



**DP-OFKT**  
Includes FX7028 and DP1052MTK.



## HazMax Pinnacle/al



### FEATURES

- Fluorescent system provides energy savings up to 50% when compared to HID.
- Multi voltage electronic ballast resistant to brownouts or voltage and frequency fluctuations.
- Field replaceable lens and gasket.
- Acrylic lens withstands constant exposure to sunlight and contact with petroleum based products.
- Neoprene gasket resists petroleum.
- Permanent safety cable mounting points at each end.
- Fixture may be mounted horizontally or vertically and rotated up to 270°.
- Tool less entry via heavy duty twist draw latches.
- Lens frame hinged on side for easy lamp replacement.
- Spring loaded lamp holders, for linear lamps resist shock and vibration.
- Optional self contained emergency battery backup ballasts.
- Optional certified test switch on emergency models.

### APPLICATIONS

- Hazardous locations
- Watertight requirements
- Dusttight requirements
- Oil and gas exploration and production
- Waste water treatment plants
- Pipeline compressor / pumping & storage
- Maintenance & lubrication pits
- Petrochemical facilities
- High abuse areas

### APPROVALS

- Class I Division 2 Groups A, B, C & D
- Class I Zone 2 Groups IIA, IIB & IIC
- Class II Division 2 Groups F & G
- Class III
- Type 4
- Conforms to IP66

### STANDARDS

- UL 844 - Hazardous Locations
- UL 1598 - Luminaires
- CSA - Class 3428 03
- CSA - Class 3428 83

### TECHNICAL SPECIFICATIONS

#### HOUSING

Extruded aluminum with cast end caps.

#### LENS

0.125 inch thick clear acrylic, optional polycarbonate.

#### REFLECTOR

Aluminum parabolic with an electrostatically applied powder coat finish. Minimum 90% reflectance.

#### GASKET

One piece neoprene.

#### MOUNTING

Optional mounting kits available. Please see MOUNTING OPTIONS.

#### LATCHES

Plated steel twist draw.

#### LAMP HOLDER

Double spring loaded on linear models.

#### ENTRIES

½" NPT feed-through outlets, ¾" NPT outlets optional.

#### LAMP TYPES

See ORDERING REFERENCES. Lamps not provided.

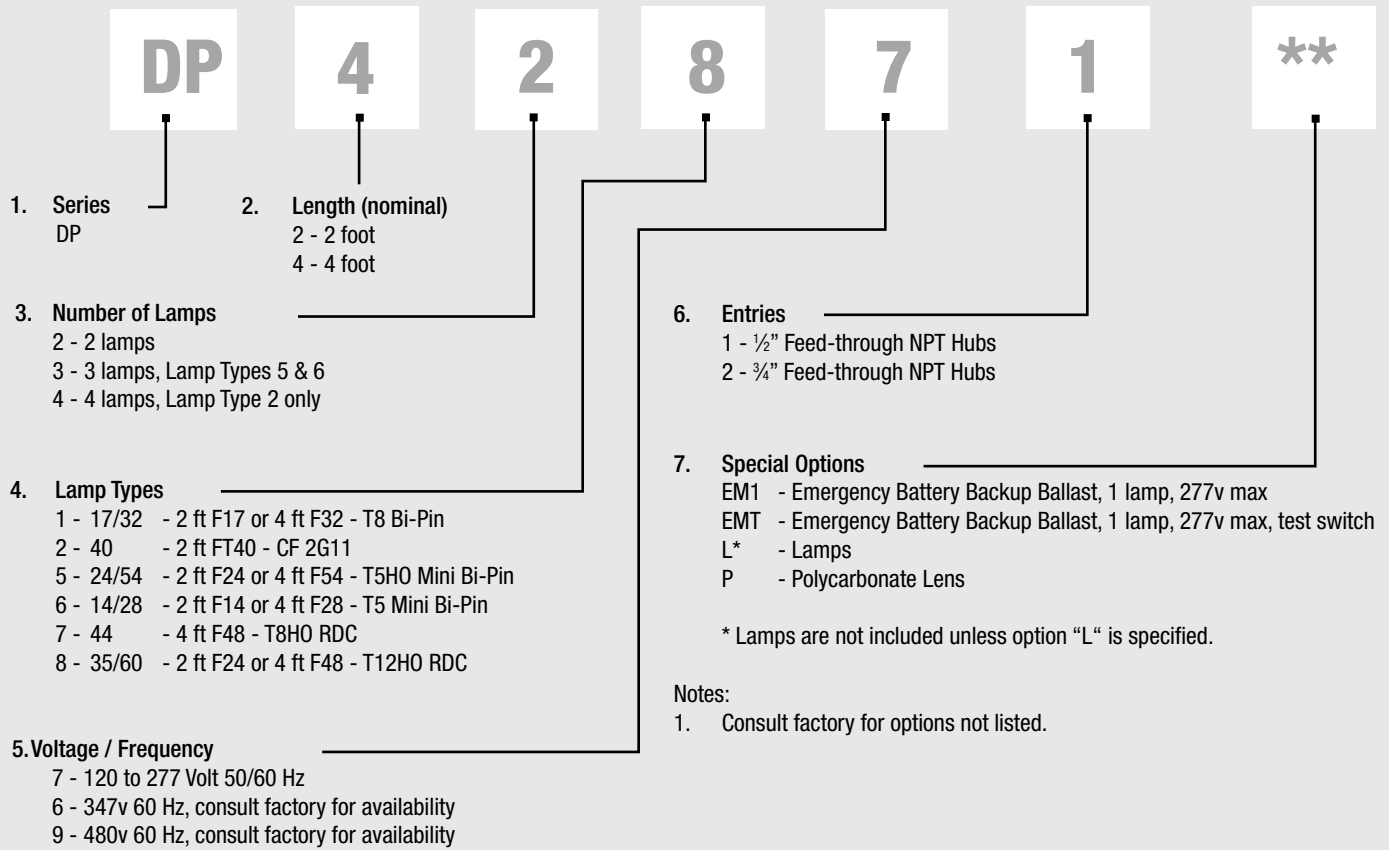
#### BALLAST

120 to 277 volt 50/60 Hz electronic, optional 347v and 480v.

#### EMERGENCY BATTERY BACKUP BALLAST

Optional, self contained 90 minute minimum for all lamp types. 120 minutes minimum for F32T8 one lamp. Starting temperature 32°F/0°C.

## ORDERING REFERENCES



## TEMPERATURE CODES & APPROVALS

Lamp Wattage	Ballast/Socket Type	ANSI Lamp Code	Class I T-Code	Class I Division 2	Class II Division 2	Class III	Class II & III T-Code	Starting Temp	Maximum Ambient*	Supply Wire
17	T8 Bi-Pin G13	F17-T8	T5	A,B,C & D	F & G	Yes	T3C	0°F / -18°C	55°C	90°C
32	T8 Bi-Pin G13	F32-T8	T5	A,B,C & D	F & G	Yes	T3C	-20°F / -29°C	55°C	90°C
40	4 Pin 2G11	FT40-CF	T5	A,B,C & D	F & G	Yes	T3C	0°F / -18°C	55°C	90°C
24/54	T5HO Mini Bi-Pin G5	F24/F54-T5HO	T5	A,B,C & D	N/A	No	N/A	-20°F / -29°C	40°C	90°C
14/28	T5 Mini Bi-Pin G5	F14/F28-T5	T5	A,B,C & D	F & G	Yes	T3C	0°F / -18°C	40°C	90°C
44	T8HO RDC R17d	F48-T8HO	T4A	A,B,C & D	F & G	Yes	T3C	-20°F / -29°C	40°C	90°C
35/60	T12HO RDC R17d	F24/F48-T12HO	T4A	A,B,C & D	F & G	Yes	T3C	-20°F / -29°C	40°C	90°C

\*Consult factory for optional higher ambient models.

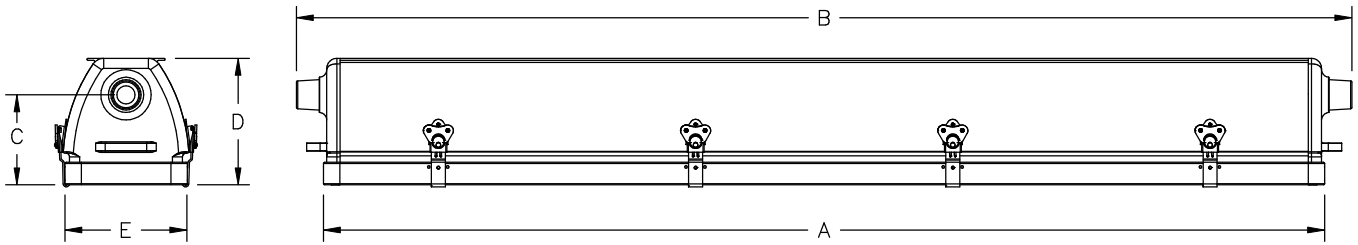


# HazMax Pinnacle/al

## SPARE PARTS

Part No.	Description		
FX5350	BALLAST 120-277V AC 50/60HZ, 1 x 14, F14T5	FX3568	LAMP, 24w, F24T5HO
FX5350	BALLAST 120-277V AC 50/60HZ, 1 x 28, F28T5	FX3567	LAMP, 54w, F54T5HO
FX5307	BALLAST 120-277V AC 50/60HZ, 1 x 24, F24T5HO	FX3528	LAMP, 17w, F17T8
FX5305	BALLAST 120-277V AC 50/60HZ, 1 x 54, F54T5HO	FX3527	LAMP, 32w, F32T8
FX5174	BALLAST 120-277V AC 50/60HZ, 1 x 17, F17T8	FX3565	LAMP, 44w, F48T8HO
FX5221	BALLAST 120-277V AC 50/60HZ, 1 x 32, F32T8	FX3507	LAMP, 35w, F24T12HO
FX5349	BALLAST 120-277V AC 50/60HZ, 1 x 44, F48T8HO	FX3505	LAMP, 60w, F48T12HO
FX5334	BALLAST 120-277V AC 50/60HZ, 1 x 35, F24T12HO	FX3533	LAMP, 40w CF, FT40 2G11
FX5334	BALLAST 120-277V AC 50/60HZ, 1 x 60, F48T12HO	103-2000	LENS & FRAME ASSEMBLY, 2 ft. models
FX5272	BALLAST 120-277V AC 50/60HZ, 1 X 40 CF, FT40 2G11	103-2001	DOOR FRAME ONLY, 2 ft. models
FX5350	BALLAST 120-277V AC 50/60HZ, 2 x 14, F14T5	103-2100	LENS ONLY, (acrylic), for 2 ft. models
FX5350	BALLAST 120-277V AC 50/60HZ, 2 x 28, F28T5	103-2200	LENS GASKET, 2 ft. models
FX5307	BALLAST 120-277V AC 50/60HZ, 2 x 24, F24T5HO	103-2300	REFLECTOR, 2 ft. models
FX5305	BALLAST 120-277V AC 50/60HZ, 2 X 54, F54T5HO	035-1060	Latch assembly
FX5340	BALLAST 120-277V AC 50/60HZ, 2 x 17, F17T8	103-4000	LENS & FRAME ASSEMBLY, 4 ft. models
FX5340	BALLAST 120-277V AC 50/60HZ, 2 x 32, F32T8	103-4001	DOOR FRAME ONLY, 4 ft. models
FX5349	BALLAST 120-277V AC 50/60HZ, 2 x 44, F48T8HO	103-4100	LENS ONLY (acrylic), 4 ft. models
FX5334	BALLAST 120-277V AC 50/60HZ, 2 x 35, F24T12HO	103-4200	LENS GASKET, 4 ft. models
FX5334	BALLAST 120-277V AC 50/60HZ, 2 x 60, F48T12HO	103-4300	REFLECTOR, 4 ft. models
FX5272	BALLAST 120-277V AC 50/60HZ, 2 x 40, FT40 2G11	758-0523	LAMP HOLDER, HO T8 & T12
FX5128HDU	EMERGENCY BATTERY BACKUP BALLAST, EM1/EMT1, 120v-277v, CF, T8, T8HO & T12HO	752-6051	LAMP HOLDER, 2G11, 4 Pin
FX5346HDU	EMERGENCY BATTERY BACKUP BALLAST, EM1/EMT1, 120v-277v, T5 & T5HO	754-7102	LAMP HOLDER, T12 & T8, Bi-Pin
FX3573	LAMP, 14w, F14T5	754-0005	LAMP HOLDER, T5 HO, fixed & spring set
FX3574	LAMP, 28w, F28T5		

## DIMENSIONS



Nominal Length	Dimensions in Inches / Centimeters					Carton L x W x D inches	Nominal Weight	
	A	B	C	D	E		Lbs	Kg
2 Foot	26.0 / 66.0	27.6 / 70.2	4.4 / 11.1	6.3 / 16.0	6.5 / 16.5	8¼ X 6¼ X 31⅞	23.0	10.4
4 Foot	50.0 / 127.0	51.6 / 131.1	4.4 / 11.1	6.3 / 16.0	6.5 / 16.5	10 X 8 X 56	32.0	14.55

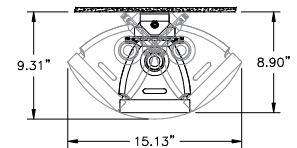
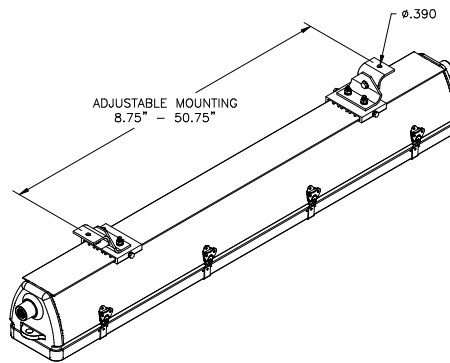
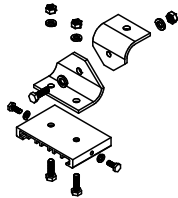
## MOUNTING OPTIONS

### DP1050MTK\*

Back mount swivel kit.

2 aluminum brackets with slide mount.

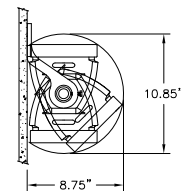
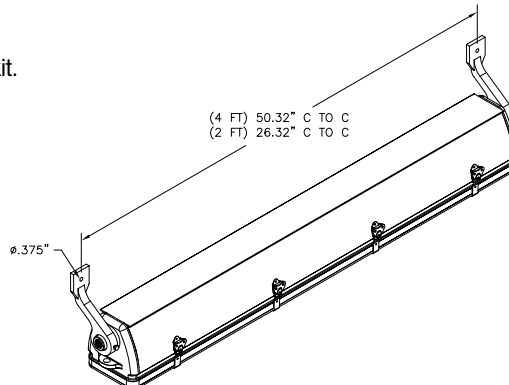
\*Add suffix PS for plated steel swivel brackets.



### DP1052MTK

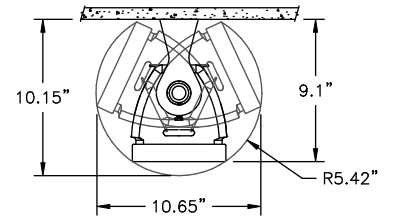
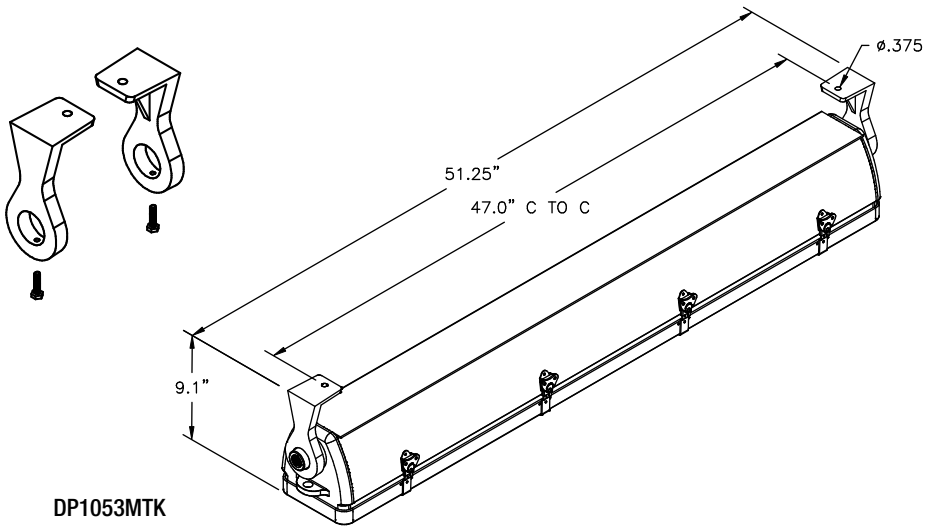
Offset wall or ceiling mounting kit.

2 cast aluminum brackets.

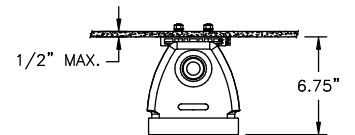
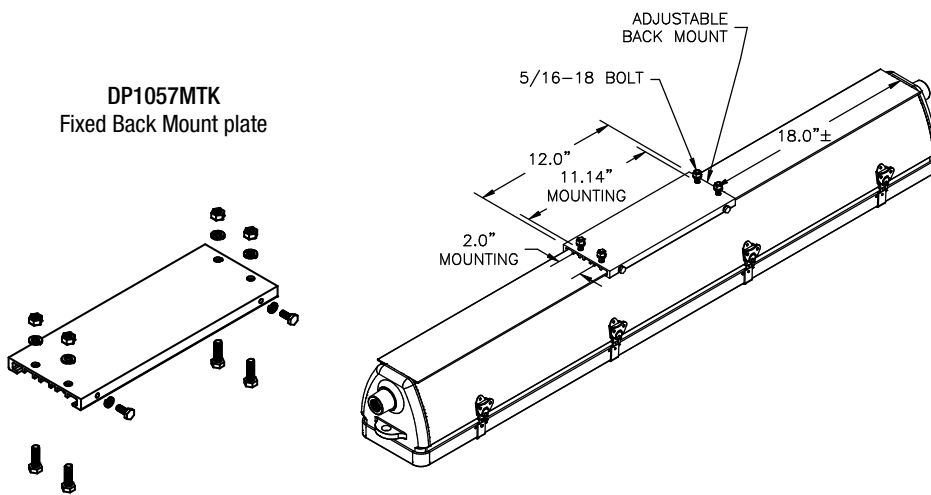


# HazMax Pinnacle/al

## MOUNTING OPTIONS



**DP1053MTK**  
Ceiling or wall mounting kit.  
2 Cast aluminum brackets.



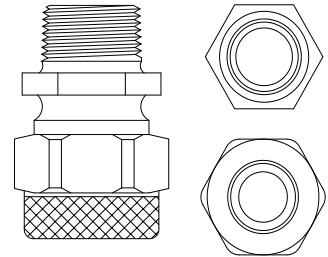
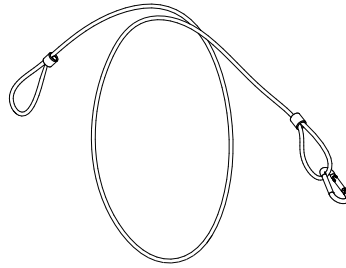
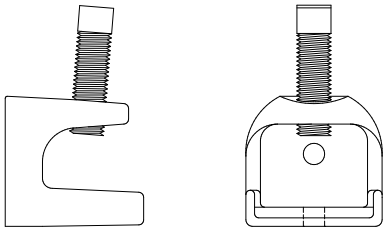
**DP1057MTK**  
Fixed Back Mount plate

## MOUNTING OPTIONS

### FX7028

#### Beam Clamp Kit

Includes Beam clamps (2), Safety Cable & Cable Gland.



### BC2K

#### 2 Beam Clamp Kit.

For use with Surface mount kit.

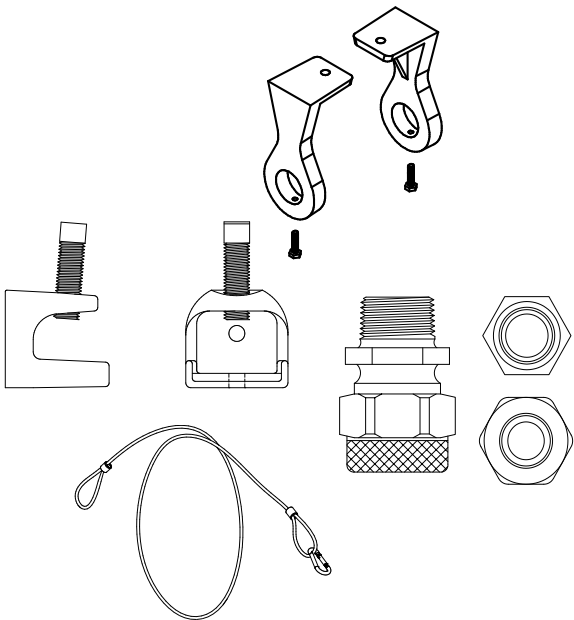
### SC30H

48" Safety Cable with snap hook.

### CX1502

Cable Gland 3/4" Aluminum,  
Cord Grip Range .438 - .562.

**DP-STKT**  
Includes FX7028 and DP1053MTK.



**DP-OFKT**  
Includes FX7028 and DP1052MTK.

