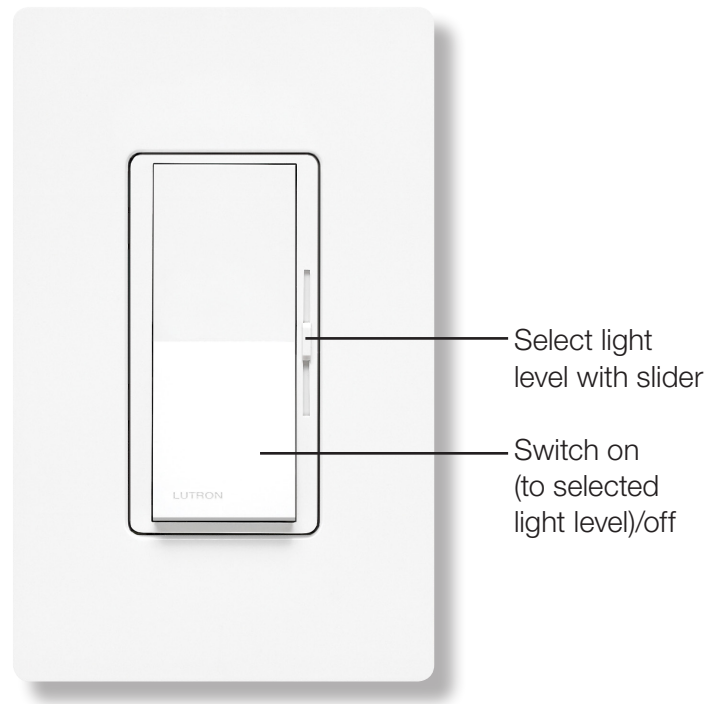


## Diva 0–10 V Controls

Controls for 0–10 V LED drivers and fluorescent ballasts.

### Features

- Large paddle switch with a captive linear-slide control for a standard designer-opening wallplate.
- 0–10 V control link controls third party fixtures.
- DVSTV- wires as single pole or 3-way, 120–277 V~ switch.
- DVTV- wires as a 24 V=== switch. A power pack is required to switch 120–277 V~ and 347 V~.
- Patented switching technology extends product lifetime.
- Coordinating Claro and Satin Colors wallplates<sup>1</sup> (available separately).
- High-end and low-end trim user is adjustable for optimal performance.



Diva 0–10 V Control

### Model Numbers

Model Number	Operating Voltage	Wiring	Load Switching Capacity	0–10 V Sink Capacity
DVSTV-XX <sup>2</sup>	120–277 V~	Single pole/3-way <sup>5</sup>	8 A	50 mA
DVSTV-453PH-WH <sup>1</sup> DVSTV-453PH-WH-C <sup>1,3</sup>	120–277 V~	Single pole/3-way <sup>5</sup>	450 W 3.75 A (120 V~) 1.62 A (277 V~)	50 mA
DVTV-XX <sup>2</sup> DVSCTV-YY <sup>4</sup>	24 V===	Single pole only	0 A <sup>6</sup>	30 mA

<sup>1</sup> DVSTV-453PH-WH and DVSTV-453PH-WH-C available in white gloss only.

<sup>2</sup> “XX” in the model number represents gloss finish color code. See **Standard Colors and Finishes** on Page 5.

<sup>3</sup> Clamshell packaged product for Canada.

<sup>4</sup> “YY” in the model number represents satin finish color code. See **Standard Colors and Finishes** on Page 5.

<sup>5</sup> For 3-way switching, use Claro switches or other mechanical switches.

<sup>6</sup> A Lutron power pack (PP-DV or PP-347H) is required for switching ballasts and drivers. For Lutron power pack specification, please see Lutron P/N 369544 at [www.lutron.com](http://www.lutron.com).

<b>Job Name:</b>	<b>Model Numbers:</b>
<b>Job Number:</b>	

## Specifications

### DVSTV- Models

#### Regulatory Approvals

- cULus Listed
- NOM

#### Power

##### Operating Voltage

120–277 V~ 50/60 Hz

##### Output Ratings

- Switch rating of 8 A.
- 0–10 V control link for 50 mA maximum output (sink only).

##### 0–10 V Control Link

- 0–10 V control link is Class 1.
- Controls up to 25 ballasts or drivers (IEC 60929 Annex E.2 requires the ballast/driver to limit the current draw to 2.0 mA maximum).

#### Performance

- Power pack cannot be used with DVSTV- models.
- Works with all ballasts and drivers that provide a current source compliant to IEC 60629 Annex E.2, and whose inrush current does not exceed NEMA410 standards for electronic ballast/driver loads of 8 A steady state current.
- Adjustable high-end and low-end trim for optimal dimming performance.
- Power failure memory: should power be interrupted, the control will return to its previously set level prior to the interruption when power is restored.
- Captive linear slider.
- Precise color matching.

#### Environment

- For indoor use only.
- Ambient operating temperature: 32 °F to 104 °F (0 °C to 40 °C), 0% to 90% humidity, non-condensing.

#### Application Requirements

- No derating required if ganged.
- Night light not available.
- Always consult local wiring codes.

#### Warranty

- [www.lutron.com/TechnicalDocumentLibrary/369-119\\_Wallbox\\_Warranty.pdf](http://www.lutron.com/TechnicalDocumentLibrary/369-119_Wallbox_Warranty.pdf)

<p>Job Name:</p>  <p>Job Number:</p>	<p>Model Numbers:</p>
--	-----------------------

## Specifications *(continued)*

### DVSTV-453PH-WH Model

#### Regulatory Approvals

- cULus Listed
- NOM

#### Power

##### Operating Voltage

120–277 V~ 50/60 Hz

##### Output Ratings

- Switch rating of 450 W.
- 0–10 V control link for 50 mA maximum output (sink only).

##### 0–10 V Control Link

- 0–10 V control link is Class 1.
- Controls up to 25 ballasts or drivers (IEC 60929 Annex E.2 requires the ballast/driver to limit the current draw to 2.0 mA maximum).

#### Performance

- Power pack cannot be used with DVSTV- models.
- Works with all ballasts and drivers that provide a current source compliant to IEC 60629 Annex E.2, and whose inrush current does not exceed NEMA410 standards for electronic ballast/driver loads of 8 A steady state current.
- Adjustable high-end and low-end trim for optimal dimming performance.
- Power failure memory: should power be interrupted, the control will return to its previously set level prior to the interruption when power is restored.
- Captive linear slider.
- Precise color matching.

#### Environment

- For indoor use only.
- Ambient operating temperature: 32 °F to 104 °F (0 °C to 40 °C), 0% to 90% humidity, non-condensing.

#### Application Requirements

- No derating required if ganged.
- Night light not available.
- Always consult local wiring codes.

#### Warranty

- [www.lutron.com/TechnicalDocumentLibrary/369-119\\_Wallbox\\_Warranty.pdf](http://www.lutron.com/TechnicalDocumentLibrary/369-119_Wallbox_Warranty.pdf)

<p>Job Name:</p>  <p>Job Number:</p>	<p>Model Numbers:</p>
--	-----------------------

## Specifications *(continued)*

### DVTV- and DVSCTV- Models

#### Power

##### Operating Voltage

24 V<sub>DC</sub> 100 mA

##### Output Ratings

- Power pack required for load switching. Power pack is rated for 16 A.
- 30 mA maximum output (sink only).

##### 0–10 V Control Link

- 0–10 V control is Class 2.
- Controls up to 15 ballasts or drivers (IEC 60929 Annex E.2 requires the ballast/driver to limit the current draw to 2.0 mA maximum).

#### Performance

- For 120–277 V<sub>AC</sub> installations switching more than 8 A, use DVTV- with Lutron power pack (PP-DV). See Lutron P/N 369544 at [www.lutron.com](http://www.lutron.com).
- For 347 V<sub>AC</sub> installations, use DVTV- with Lutron power pack (PP-347H) See Lutron P/N 369544 at [www.lutron.com](http://www.lutron.com).
- Works with all ballasts and drivers that provide a current source compliant to IEC 60629 Annex E.2.
- Adjustable high-end and low-end trim for optimal dimming performance.
- Power failure memory: should power be interrupted, the 0–10 V<sub>DC</sub> signal will return to its previously set level prior to the interruption when power is restored.
- Captive linear slider.
- Precise color matching.

#### Environment

- For indoor use only.
- Ambient operating temperature: 32 °F to 104 °F (0 °C to 40 °C), 0% to 90% humidity, non-condensing.

#### Application Requirements

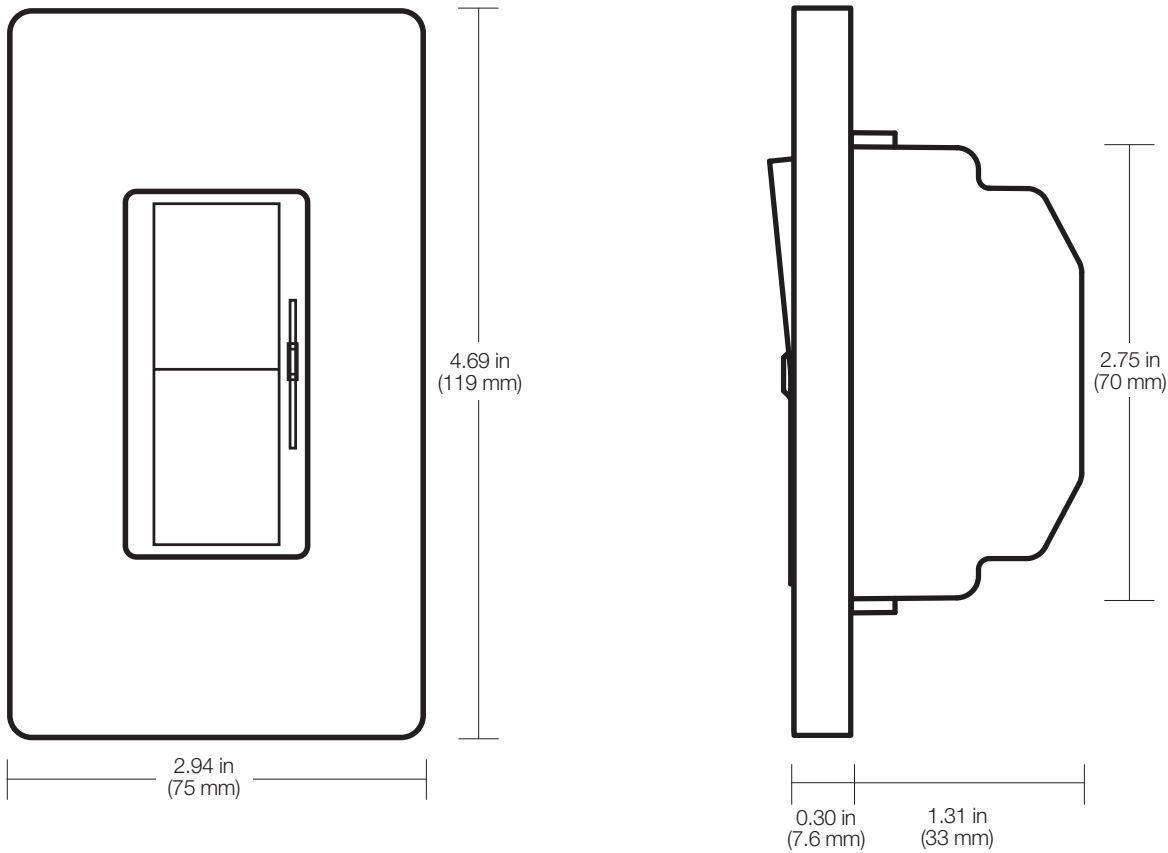
- No derating required if ganged.
- Night light not available.
- Always consult local wiring codes.

#### Warranty

- [www.lutron.com/TechnicalDocumentLibrary/369-119\\_Wallbox\\_Warranty.pdf](http://www.lutron.com/TechnicalDocumentLibrary/369-119_Wallbox_Warranty.pdf)

<p>Job Name:</p>  <p>Job Number:</p>	<p>Model Numbers:</p>
--	-----------------------

### Dimensions



### Standard Colors and Finishes

#### Gloss Finishes\*

Add color suffix to model #

**Example: DVSTV-WH**

WH	White
IV	Ivory
AL	Almond
LA	Light Almond
GR	Gray
BR	Brown
BL	Black

#### Satin Colors\*

Add color suffix to model #

**Example: DVSCTV-SW**

HT	Hot	MN	Midnight
MR	Merlot	TC	Terracotta
PL	Plum	SI	Sienna
TQ	Turquoise	GB	Green Briar
SG	Sea Glass	BG	Bluestone
TP	Taupe	MS	Mocha Stone
ES	Eggshell	GS	Goldstone
BI	Biscuit	DS	Desert Stone
SW	Snow	ST	Stone
PD	Palladium	LS	Limestone

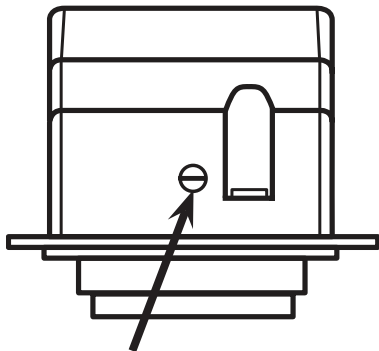
\*DVSTV-453PH-WH and DVSTV-453PH-WH-C available in white gloss only.

<b>Job Name:</b>	<b>Model Numbers:</b>
<b>Job Number:</b>	

# High-End and Low-End Adjustments

## DVSTV- Models

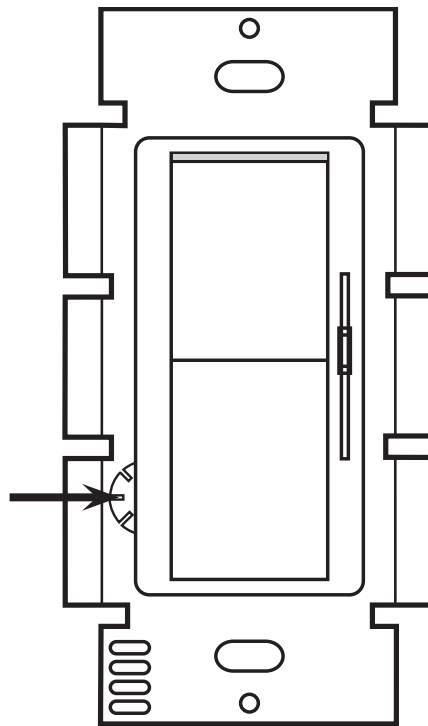
Bottom View



Maximum Light Level  
(High-End) Trim

## All Models

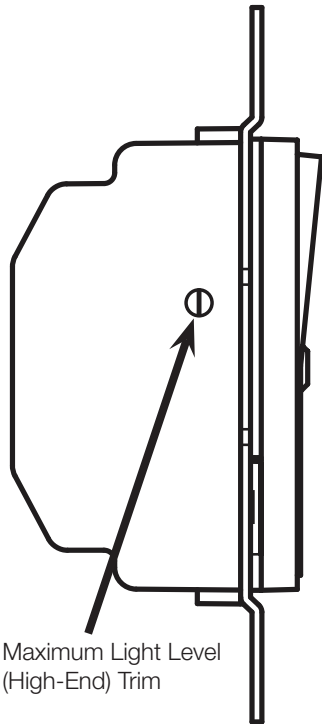
Front View



Minimum Light Level  
(Low-End) Trim

## DVTV- and DVSCTV- Models

Side View

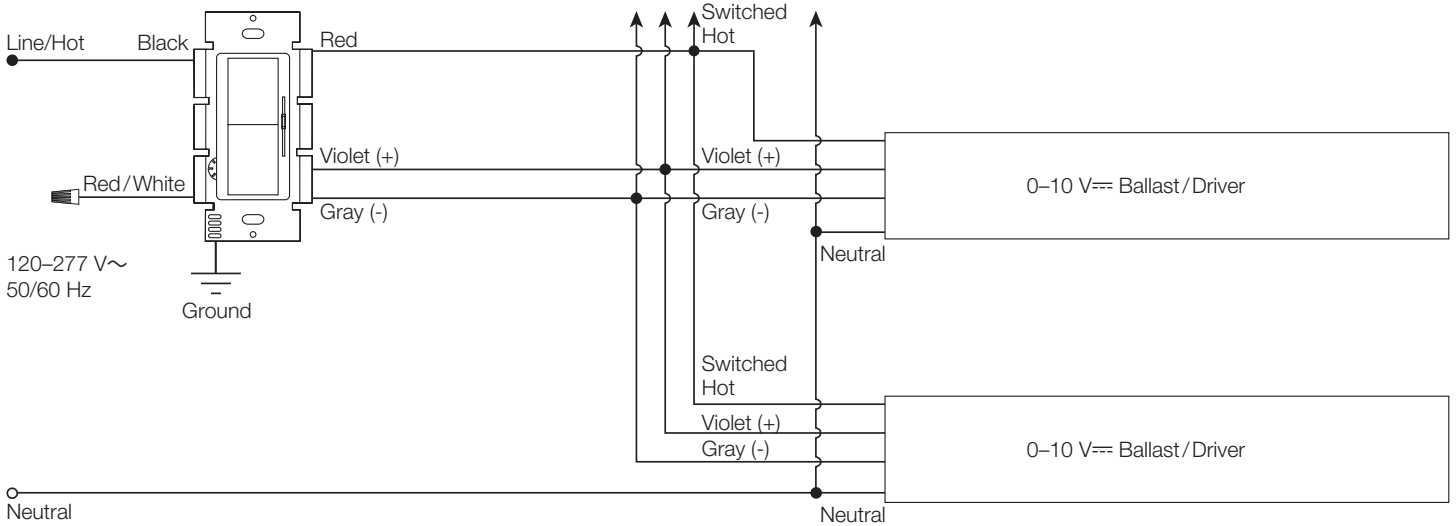


Maximum Light Level  
(High-End) Trim

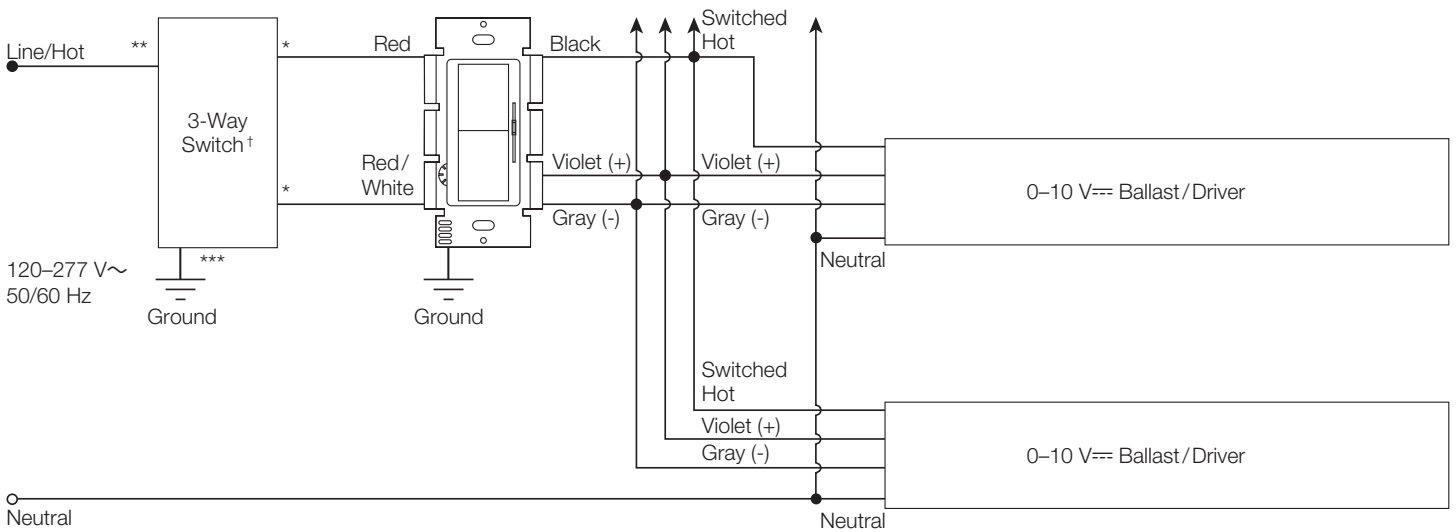
Job Name:	Model Numbers:
Job Number:	

# Wiring Diagrams DVSTV-

## Single Pole Wiring



## 3-Way Wiring



\* Copper/Black screw terminal

\*\* Brass/Gold screw terminal

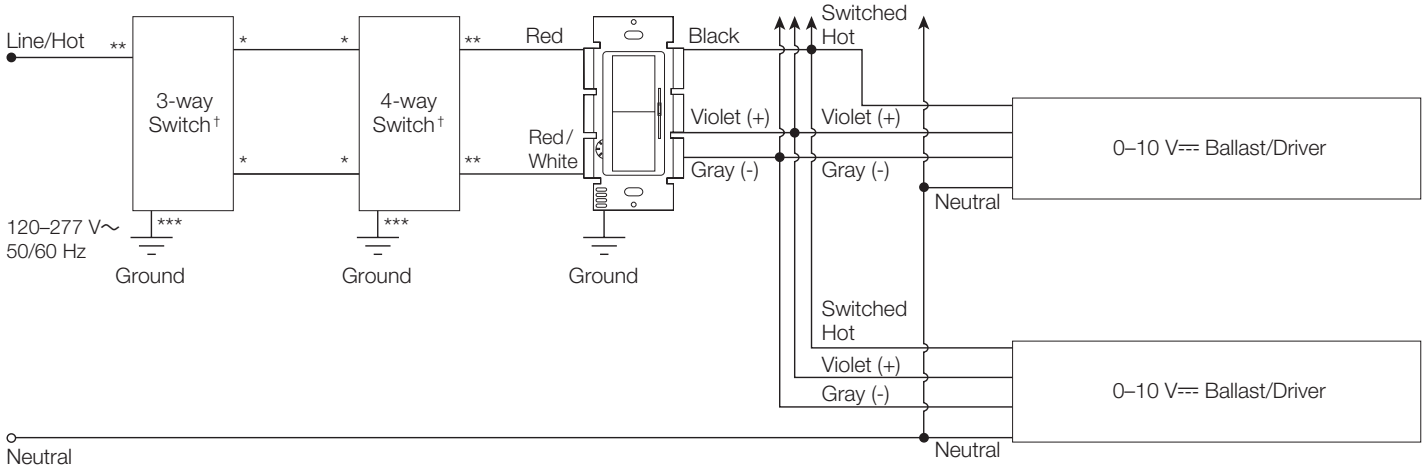
\*\*\* Green screw terminal

† For proper wiring, please refer to installation instructions for 3-way switch.

<b>Job Name:</b>	<b>Model Numbers:</b>
<b>Job Number:</b>	

**Wiring Diagrams (continued)**  
**DVSTV- (continued)**

**4-Way Wiring**



**Note:** For 4-way wiring, control must be installed line side or load side. It cannot be installed in the 4-way location.

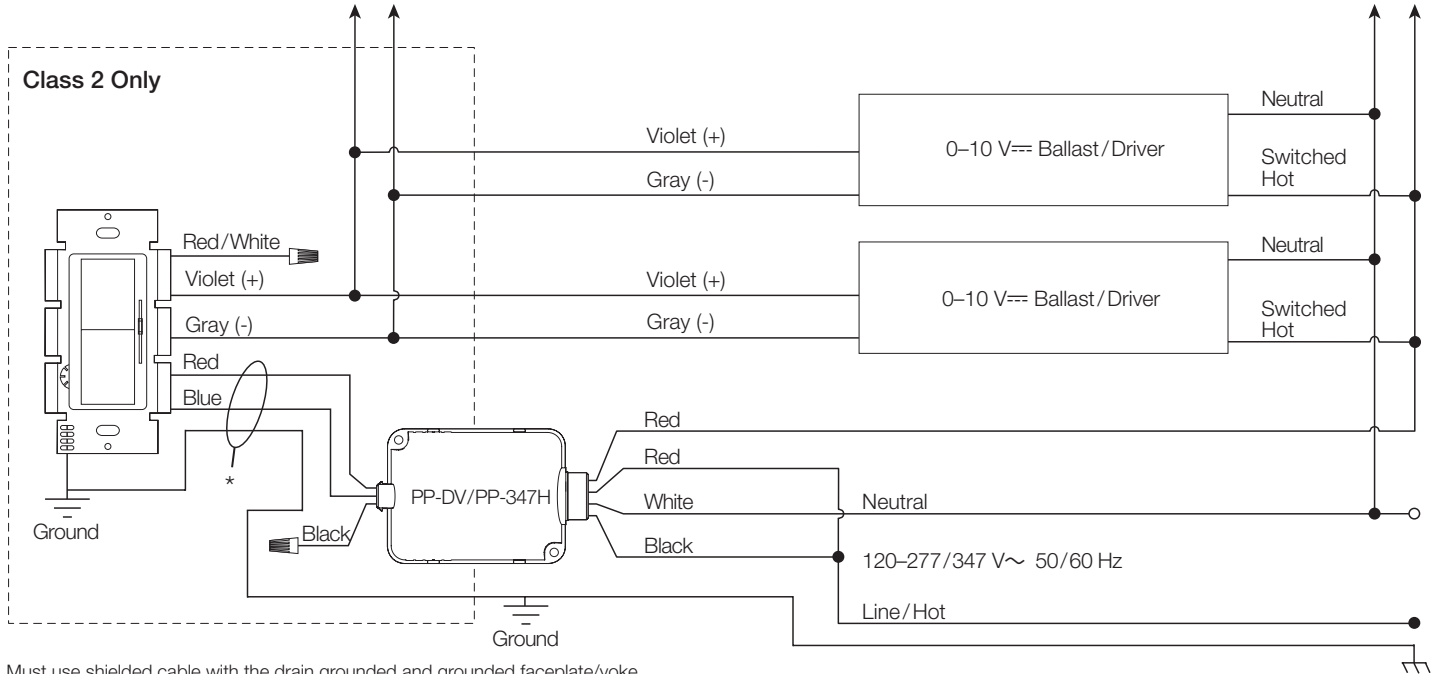
- \* Copper/Black screw terminal
- \*\* Brass/Gold screw terminal
- \*\*\* Green screw terminal
- † For proper wiring, please refer to installation instructions for 3-way/4-way switch.

<b>Job Name:</b>	<b>Model Numbers:</b>
<b>Job Number:</b>	



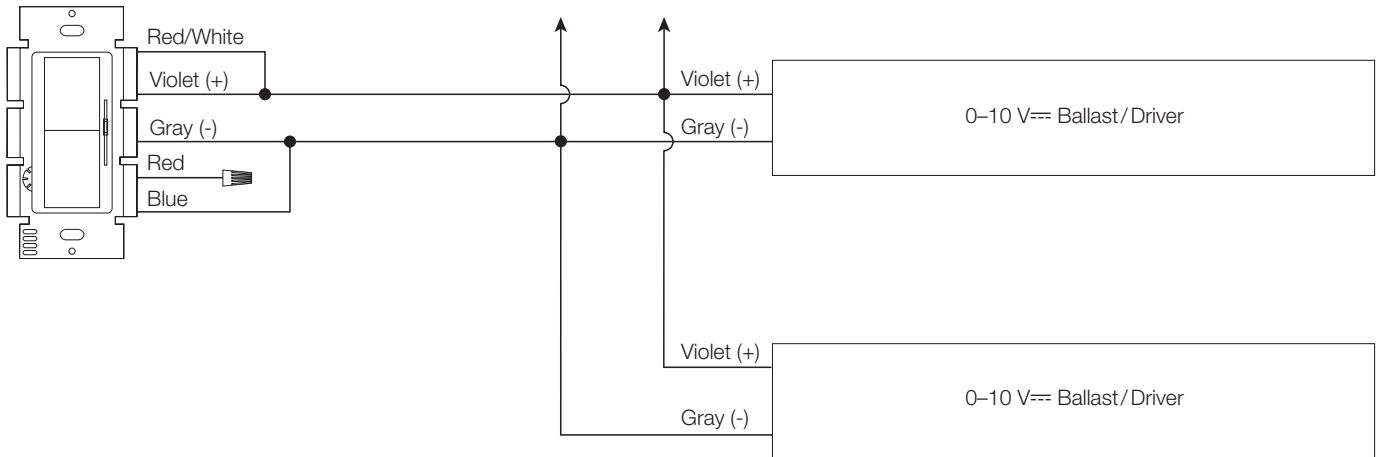
**Wiring Diagrams (continued)**  
**DVTV- and DVSCTV-**

**Dimming With ON/OFF Control**  
**Wiring Diagram Using a Power Pack**



\* Must use shielded cable with the drain grounded and grounded faceplate/yoke.

**Dimming With ON/OFF Control For Drivers Which Support Dim To OFF Capability**  
**Power Wiring Not Shown—See Lighting Device For Wiring**



Lutron, Lutron, Diva, Claro, and Satin Colors are trademarks of Lutron Electronics Co., Inc., registered in the U.S. and other countries.

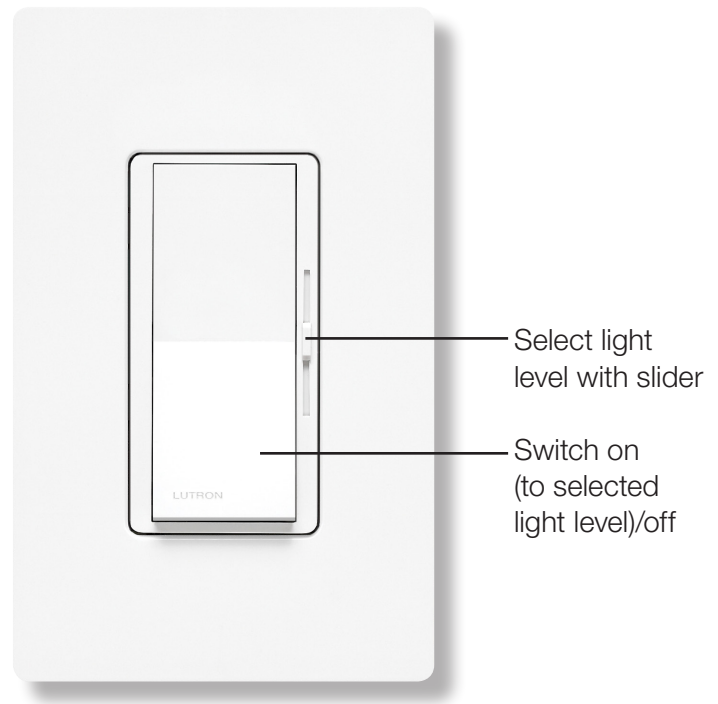
<b>Job Name:</b>	<b>Model Numbers:</b>
<b>Job Number:</b>	

## Diva 0–10 V Controls

Controls for 0–10 V LED drivers and fluorescent ballasts.

### Features

- Large paddle switch with a captive linear-slide control for a standard designer-opening wallplate.
- 0–10 V control link controls third party fixtures.
- DVSTV- wires as single pole or 3-way, 120–277 V~ switch.
- DVTV- wires as a 24 V=== switch. A power pack is required to switch 120–277 V~ and 347 V~.
- Patented switching technology extends product lifetime.
- Coordinating Claro and Satin Colors wallplates<sup>1</sup> (available separately).
- High-end and low-end trim user is adjustable for optimal performance.



Diva 0–10 V Control

### Model Numbers

Model Number	Operating Voltage	Wiring	Load Switching Capacity	0–10 V Sink Capacity
DVSTV-XX <sup>2</sup>	120–277 V~	Single pole/3-way <sup>5</sup>	8 A	50 mA
DVSTV-453PH-WH <sup>1</sup> DVSTV-453PH-WH-C <sup>1,3</sup>	120–277 V~	Single pole/3-way <sup>5</sup>	450 W 3.75 A (120 V~) 1.62 A (277 V~)	50 mA
DVTV-XX <sup>2</sup> DVSCTV-YY <sup>4</sup>	24 V===	Single pole only	0 A <sup>6</sup>	30 mA

<sup>1</sup> DVSTV-453PH-WH and DVSTV-453PH-WH-C available in white gloss only.

<sup>2</sup> “XX” in the model number represents gloss finish color code. See **Standard Colors and Finishes** on Page 5.

<sup>3</sup> Clamshell packaged product for Canada.

<sup>4</sup> “YY” in the model number represents satin finish color code. See **Standard Colors and Finishes** on Page 5.

<sup>5</sup> For 3-way switching, use Claro switches or other mechanical switches.

<sup>6</sup> A Lutron power pack (PP-DV or PP-347H) is required for switching ballasts and drivers. For Lutron power pack specification, please see Lutron P/N 369544 at [www.lutron.com](http://www.lutron.com).

<b>Job Name:</b>	<b>Model Numbers:</b>
<b>Job Number:</b>	

## Specifications

### DVSTV- Models

#### Regulatory Approvals

- cULus Listed
- NOM

#### Power

##### Operating Voltage

120–277 V~ 50/60 Hz

##### Output Ratings

- Switch rating of 8 A.
- 0–10 V control link for 50 mA maximum output (sink only).

##### 0–10 V Control Link

- 0–10 V control link is Class 1.
- Controls up to 25 ballasts or drivers (IEC 60929 Annex E.2 requires the ballast/driver to limit the current draw to 2.0 mA maximum).

#### Performance

- Power pack cannot be used with DVSTV- models.
- Works with all ballasts and drivers that provide a current source compliant to IEC 60629 Annex E.2, and whose inrush current does not exceed NEMA410 standards for electronic ballast/driver loads of 8 A steady state current.
- Adjustable high-end and low-end trim for optimal dimming performance.
- Power failure memory: should power be interrupted, the control will return to its previously set level prior to the interruption when power is restored.
- Captive linear slider.
- Precise color matching.

#### Environment

- For indoor use only.
- Ambient operating temperature: 32 °F to 104 °F (0 °C to 40 °C), 0% to 90% humidity, non-condensing.

#### Application Requirements

- No derating required if ganged.
- Night light not available.
- Always consult local wiring codes.

#### Warranty

- [www.lutron.com/TechnicalDocumentLibrary/369-119\\_Wallbox\\_Warranty.pdf](http://www.lutron.com/TechnicalDocumentLibrary/369-119_Wallbox_Warranty.pdf)

<p>Job Name:</p>  <p>Job Number:</p>	<p>Model Numbers:</p>
--	-----------------------

## Specifications *(continued)*

### DVSTV-453PH-WH Model

#### Regulatory Approvals

- cULus Listed
- NOM

#### Power

##### Operating Voltage

120–277 V~ 50/60 Hz

##### Output Ratings

- Switch rating of 450 W.
- 0–10 V control link for 50 mA maximum output (sink only).

##### 0–10 V Control Link

- 0–10 V control link is Class 1.
- Controls up to 25 ballasts or drivers (IEC 60929 Annex E.2 requires the ballast/driver to limit the current draw to 2.0 mA maximum).

#### Performance

- Power pack cannot be used with DVSTV- models.
- Works with all ballasts and drivers that provide a current source compliant to IEC 60629 Annex E.2, and whose inrush current does not exceed NEMA410 standards for electronic ballast/driver loads of 8 A steady state current.
- Adjustable high-end and low-end trim for optimal dimming performance.
- Power failure memory: should power be interrupted, the control will return to its previously set level prior to the interruption when power is restored.
- Captive linear slider.
- Precise color matching.

#### Environment

- For indoor use only.
- Ambient operating temperature: 32 °F to 104 °F (0 °C to 40 °C), 0% to 90% humidity, non-condensing.

#### Application Requirements

- No derating required if ganged.
- Night light not available.
- Always consult local wiring codes.

#### Warranty

- [www.lutron.com/TechnicalDocumentLibrary/369-119\\_Wallbox\\_Warranty.pdf](http://www.lutron.com/TechnicalDocumentLibrary/369-119_Wallbox_Warranty.pdf)

<p>Job Name:</p>  <p>Job Number:</p>	<p>Model Numbers:</p>
--	-----------------------

## Specifications *(continued)*

### DVTV- and DVSCTV- Models

#### Power

##### Operating Voltage

24 V<sub>DC</sub> 100 mA

##### Output Ratings

- Power pack required for load switching. Power pack is rated for 16 A.
- 30 mA maximum output (sink only).

##### 0–10 V Control Link

- 0–10 V control is Class 2.
- Controls up to 15 ballasts or drivers (IEC 60929 Annex E.2 requires the ballast/driver to limit the current draw to 2.0 mA maximum).

#### Performance

- For 120–277 V<sub>AC</sub> installations switching more than 8 A, use DVTV- with Lutron power pack (PP-DV). See Lutron P/N 369544 at [www.lutron.com](http://www.lutron.com).
- For 347 V<sub>AC</sub> installations, use DVTV- with Lutron power pack (PP-347H) See Lutron P/N 369544 at [www.lutron.com](http://www.lutron.com).
- Works with all ballasts and drivers that provide a current source compliant to IEC 60629 Annex E.2.
- Adjustable high-end and low-end trim for optimal dimming performance.
- Power failure memory: should power be interrupted, the 0–10 V<sub>DC</sub> signal will return to its previously set level prior to the interruption when power is restored.
- Captive linear slider.
- Precise color matching.

#### Environment

- For indoor use only.
- Ambient operating temperature: 32 °F to 104 °F (0 °C to 40 °C), 0% to 90% humidity, non-condensing.

#### Application Requirements

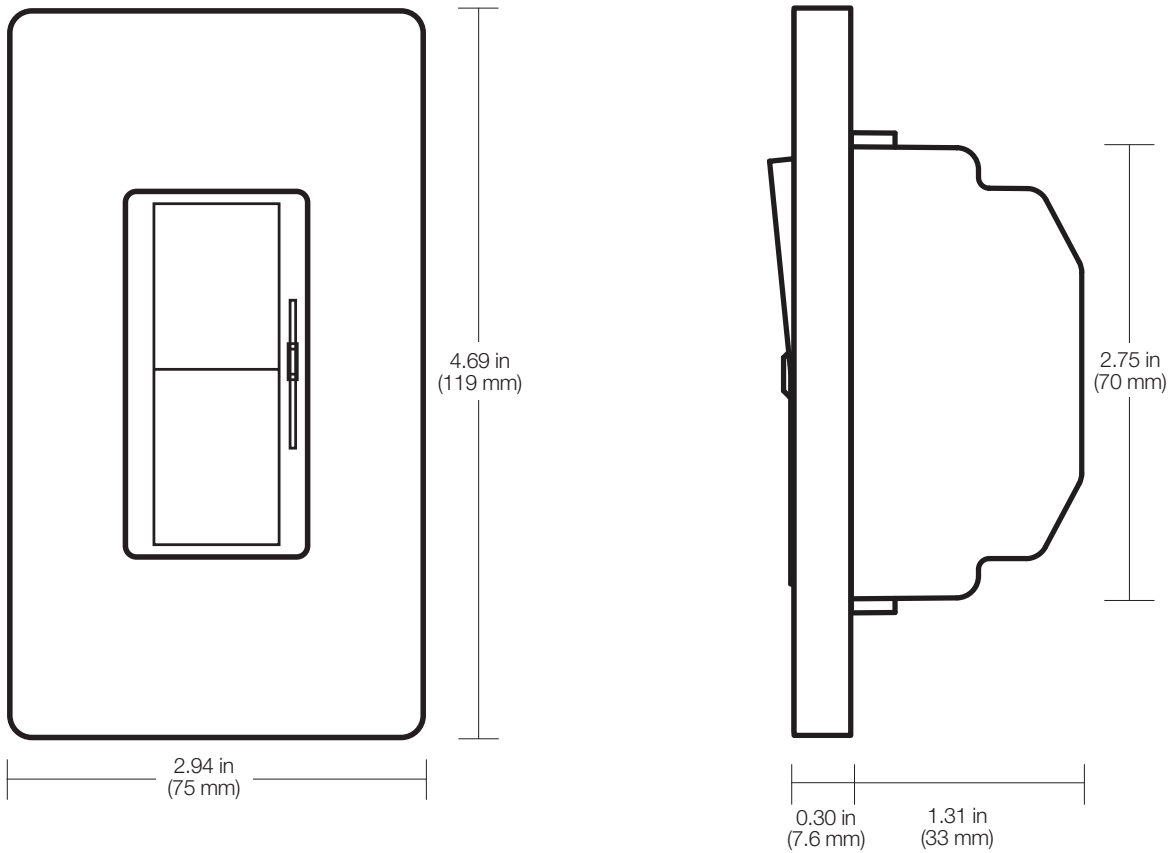
- No derating required if ganged.
- Night light not available.
- Always consult local wiring codes.

#### Warranty

- [www.lutron.com/TechnicalDocumentLibrary/369-119\\_Wallbox\\_Warranty.pdf](http://www.lutron.com/TechnicalDocumentLibrary/369-119_Wallbox_Warranty.pdf)

<p>Job Name:</p>  <p>Job Number:</p>	<p>Model Numbers:</p>
--	-----------------------

### Dimensions



### Standard Colors and Finishes

#### Gloss Finishes\*

Add color suffix to model #

**Example: DVSTV-WH**

WH	White
IV	Ivory
AL	Almond
LA	Light Almond
GR	Gray
BR	Brown
BL	Black

#### Satin Colors\*

Add color suffix to model #

**Example: DVSCTV-SW**

HT	Hot	MN	Midnight
MR	Merlot	TC	Terracotta
PL	Plum	SI	Sienna
TQ	Turquoise	GB	Green Briar
SG	Sea Glass	BG	Bluestone
TP	Taupe	MS	Mocha Stone
ES	Eggshell	GS	Goldstone
BI	Biscuit	DS	Desert Stone
SW	Snow	ST	Stone
PD	Palladium	LS	Limestone

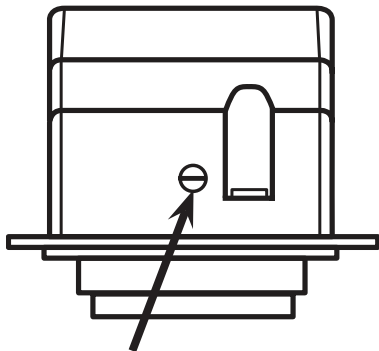
\*DVSTV-453PH-WH and DVSTV-453PH-WH-C available in white gloss only.

<b>Job Name:</b>	<b>Model Numbers:</b>
<b>Job Number:</b>	

# High-End and Low-End Adjustments

## DVSTV- Models

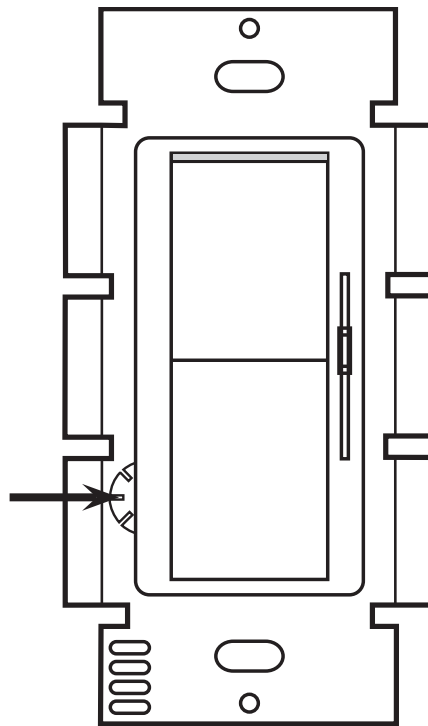
Bottom View



Maximum Light Level  
(High-End) Trim

## All Models

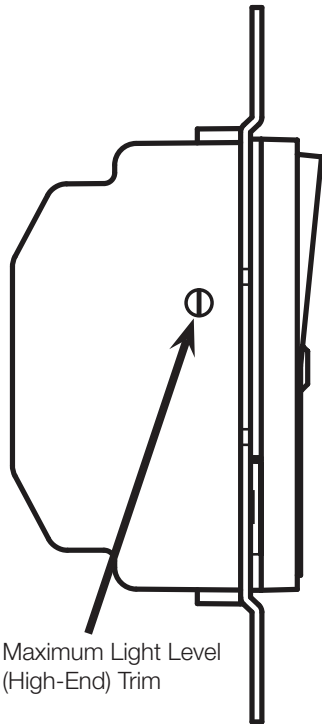
Front View



Minimum Light Level  
(Low-End) Trim

## DVTV- and DVSCTV- Models

Side View

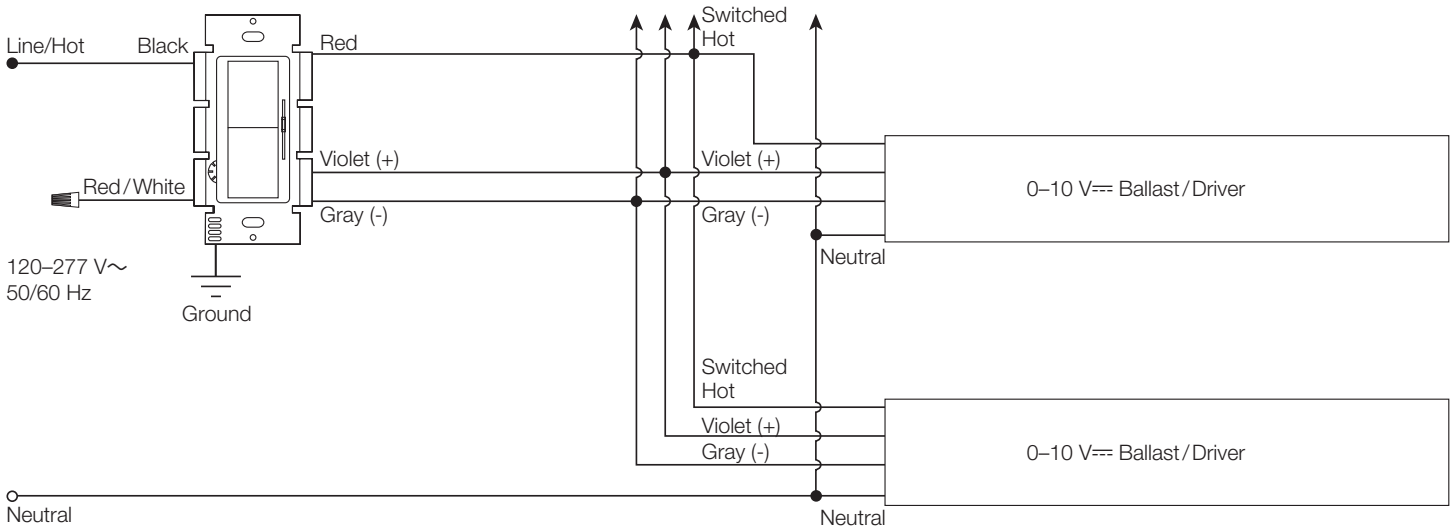


Maximum Light Level  
(High-End) Trim

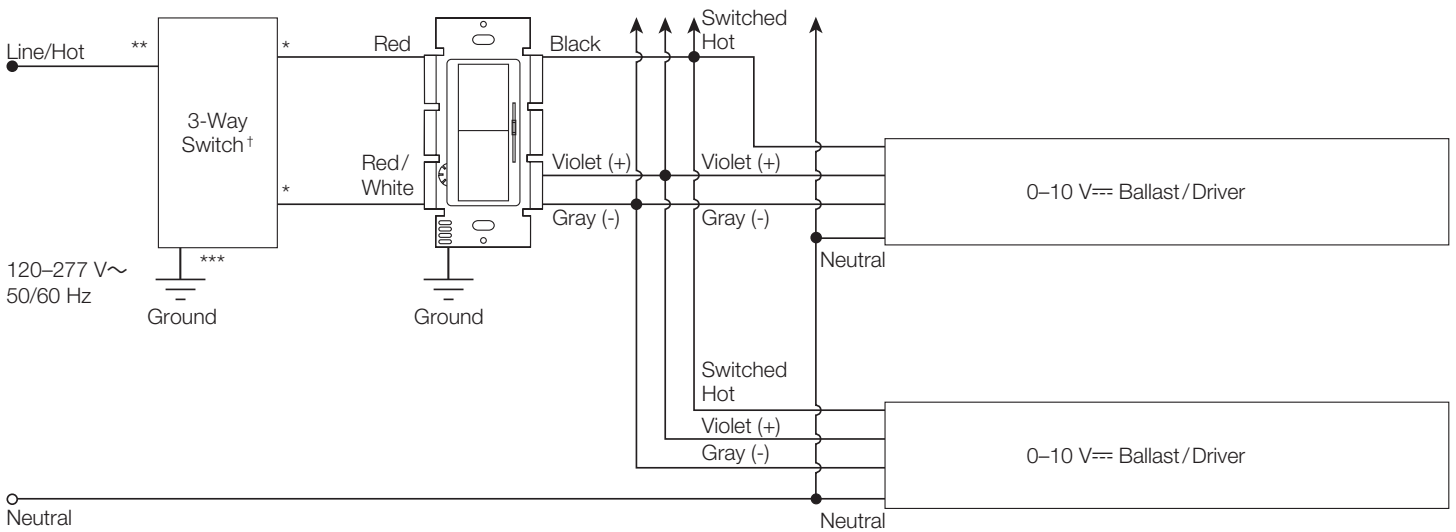
Job Name:	Model Numbers:
Job Number:	

# Wiring Diagrams DVSTV-

## Single Pole Wiring



## 3-Way Wiring



\* Copper/Black screw terminal

\*\* Brass/Gold screw terminal

\*\*\* Green screw terminal

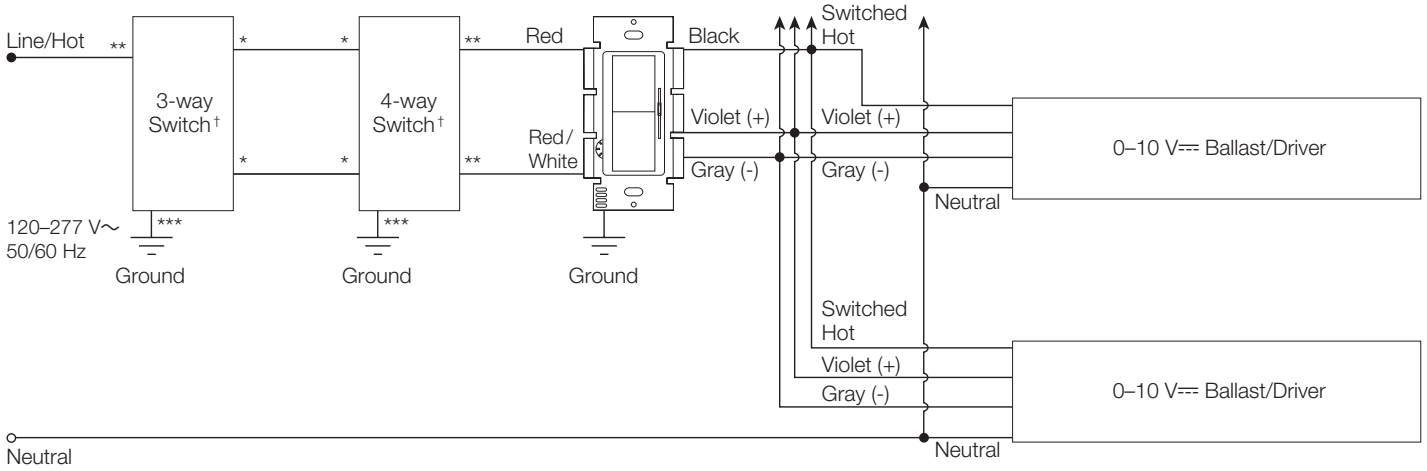
† For proper wiring, please refer to installation instructions for 3-way switch.

<b>Job Name:</b>	<b>Model Numbers:</b>
<b>Job Number:</b>	



**Wiring Diagrams (continued)**  
**DVSTV- (continued)**

**4-Way Wiring**



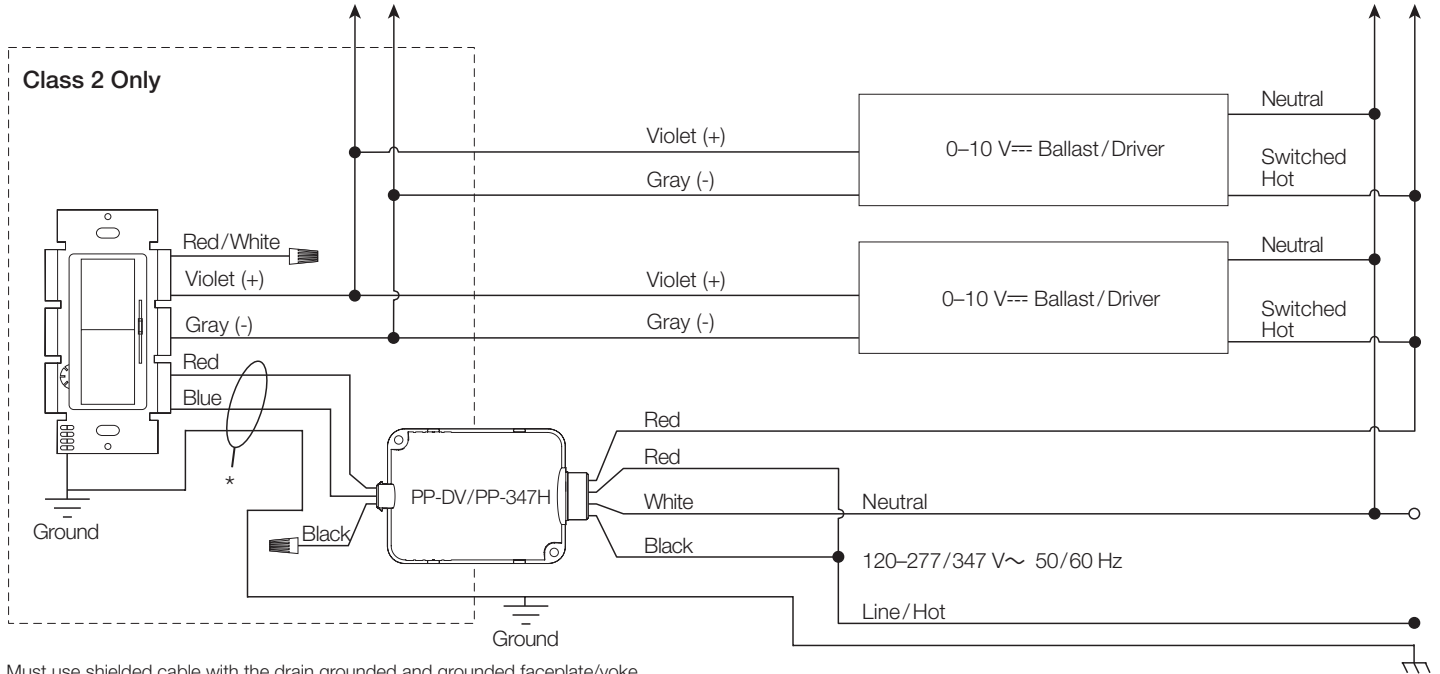
**Note:** For 4-way wiring, control must be installed line side or load side. It cannot be installed in the 4-way location.

- \* Copper/Black screw terminal
- \*\* Brass/Gold screw terminal
- \*\*\* Green screw terminal
- † For proper wiring, please refer to installation instructions for 3-way/4-way switch.

<b>Job Name:</b>	<b>Model Numbers:</b>
<b>Job Number:</b>	

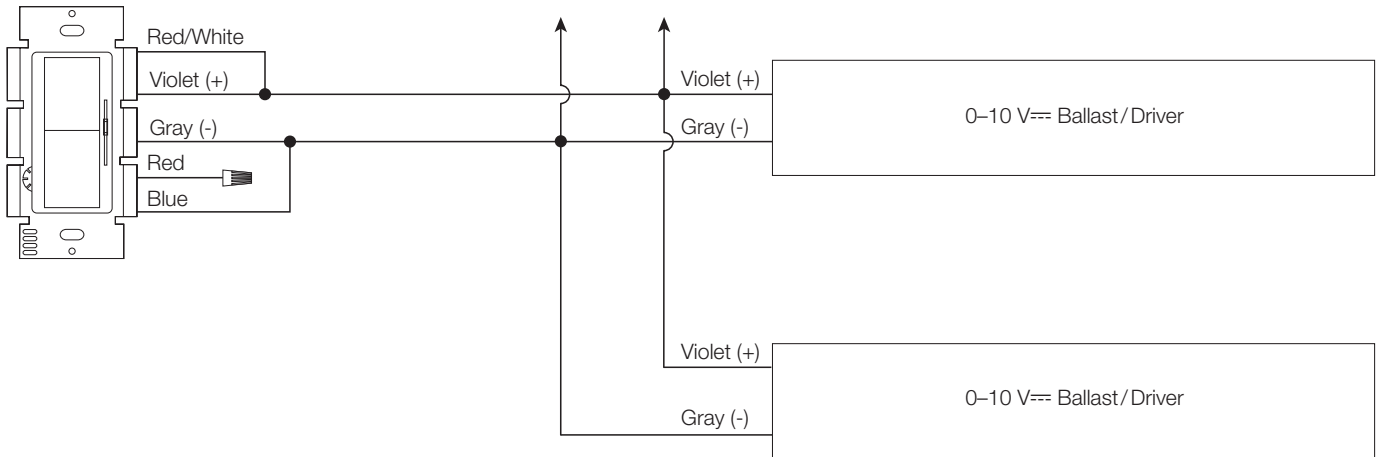
**Wiring Diagrams (continued)**  
**DVTV- and DVSCTV-**

**Dimming With ON/OFF Control**  
**Wiring Diagram Using a Power Pack**



\* Must use shielded cable with the drain grounded and grounded faceplate/yoke.

**Dimming With ON/OFF Control For Drivers Which Support Dim To OFF Capability**  
**Power Wiring Not Shown—See Lighting Device For Wiring**



Lutron, Lutron, Diva, Claro, and Satin Colors are trademarks of Lutron Electronics Co., Inc., registered in the U.S. and other countries.

Job Name:	Model Numbers:
Job Number:	