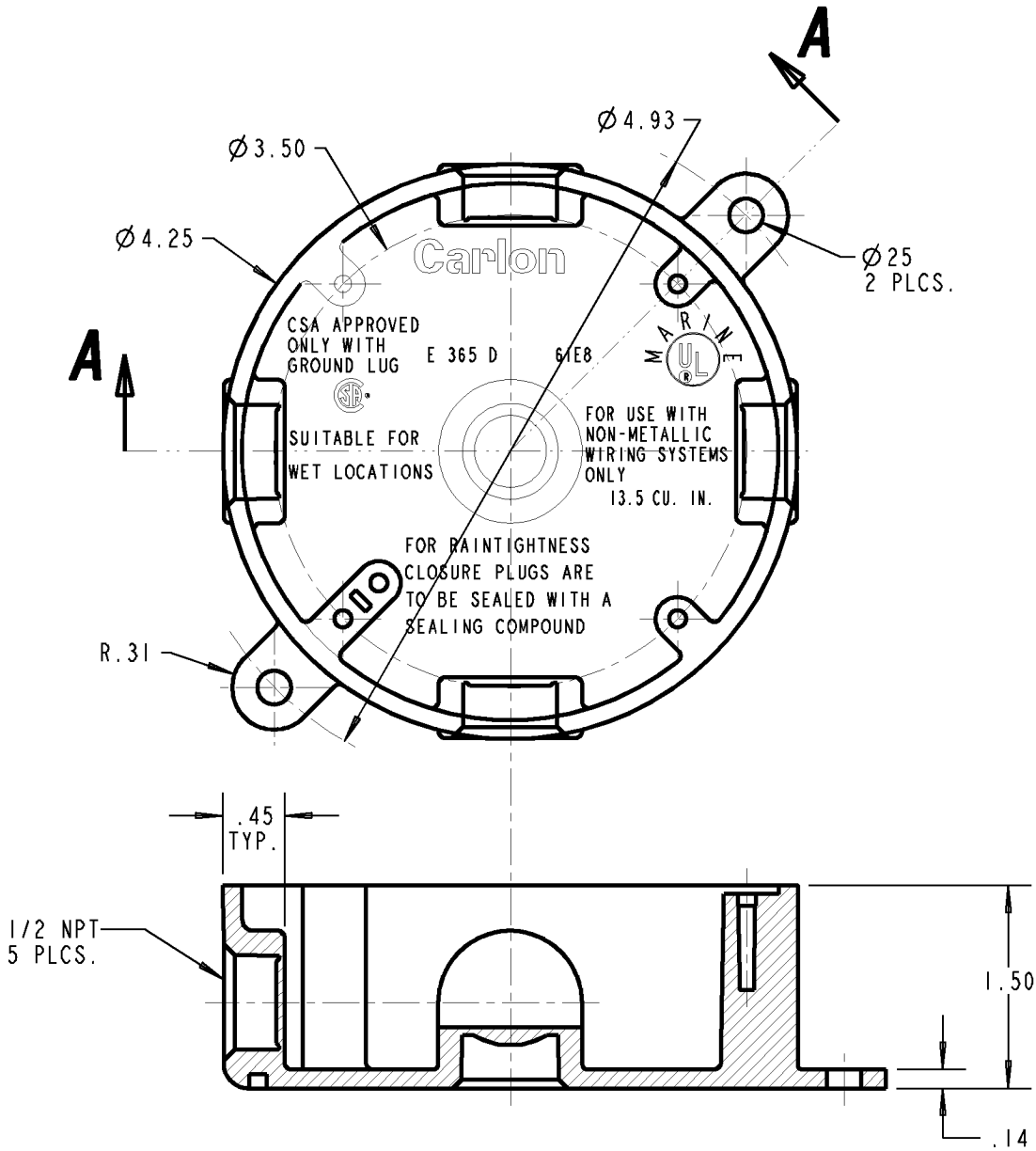


Carlton®



PART NO.	COLOR	MATERIAL	PART NO.	COLOR	MATERIAL
E365D-CAR E365DR E365DRL	GRAY	PVC	E365DW-CAR E365DWR E365DWRL	WHITE	PVC
CE365D-CTN CE365DR CE365DRCL	GRAY	PVC	CE365DW-CTN CE365DWR CE365DWRL	WHITE	PVC

GENERAL NOTES

- ALL DIMENSIONS ARE FOR REFERENCE ONLY.
- DIMENSIONS IN BRACKETS [] ARE IN METRIC UNITS.

REVISIONS

*** SEE ERN (****) FOR APPROVAL SIGNATURES & RELEASE DATE.
PROJECT NO: ****

Thomas & Betts
www.tnb.com

DESCRIPTION:

**BELL BOX ROUND
1/2" NPT PORTS**

ORIGINAL PROJECT NO / (ERN NO)

/ ()

SHEET NO:

1 OF 1

REV. NO:

A

DRAWING NO:

WSD-AC04616