

DIGITAL 24 Hour Time Switch Multipurpose Control E & E-PB Series



APPLICATIONS

- Signs, air conditioning, lighting.
- Sump pumps, ventilating fans.

FEATURES

- **Scheduling:** 20 ON/OFF set points repeat each day. Minimum setting 1 minute.
- **Daylight Saving:** Automatic adjustment (can be omitted).
- **Leap Year:** Automatic Compensation.
- **Manual Override:** Until the next regularly scheduled ON or OFF, automatic operation then resumes.
- **Clock Format:** AM/PM.
- **Power Outage Backup:** Permanent schedule retention. Supercapacitor provides 4 days of real time backup.
- **Momentary Option:** For mechanically held contractors: Model E201B only. Configure with simple jumper change for single-channel momentary operation.
- **Standards:** Listed UL917
- **Enhanced Switching:** Inrush current limiting technology protects relay contacts for extended life with zero cross type switching.

SPECIFICATIONS

- **Timing Accuracy:** Line Frequency.
- **Input Voltage:**
 - E Series: 120-277VAC, 50/60Hz (automatic detection)
 - E-PB Series: 120VAC, 50/60Hz
- **Terminal Range:** #8 - #16AWG.
- **Operating Temperature:** -40 °F to +149 °F (-40 °C to +65 °C).
- **Power Consumption:** 6VA Max.
- **Enclosure:** Polycarbonate Indoor/Outdoor NEMA 3R is standard with lockable hasp. (See Pages 464-468 For Dimensions).

WIRING DIAGRAMS

- See Pages 377-388 For Diagrams.

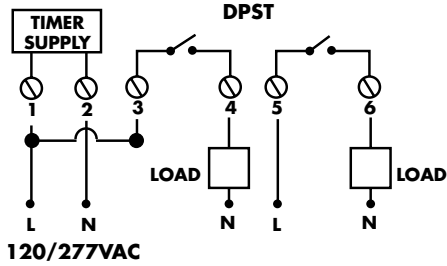


CAT. NO.	UPC CODE	INPUT SUPPLY (VAC) 50/60Hz	NO. OF CHANNELS	DRY CONTACTS (UNPOWERED)
E101B	82401	120-277	1	SPST
E103B	82411	120-277	1	DPST
E120B	82406	120-277	1	SPDT
E201B	82466	120-277	2	SPST
E101PB	82461	120	1	SPST

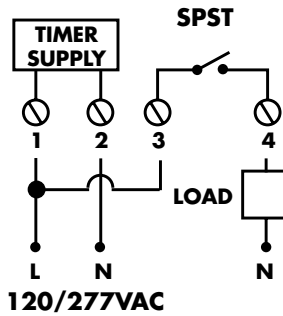
TYPE	E101B, E103B, E201B		E120B		E101PB	
	VOLTAGE (VAC)	RATING NO	RATING NO	NC	VOLTAGE (VAC)	RATING NO
General Purpose	120-277	40A	30A	30A	120/240	30A
					277	12A
Inductive	120-277	40A	30A	30A	120/240	30A
					277	12A
Ballast	120	30A	30A	10A	120	20A
	208-277	20A	20A	10A	277	6A
Tungsten	120	15A	15A	2A	120	5A
Pilot Duty	120-277	720VA	720VA	720VA	120-240	470VA
					277	690VA
Motor	120	1HP	1HP	1HP	120	1HP
	208	1 1/2HP	1 1/2HP	1 1/2HP	240	2HP
	240-277	2HP	2HP	2HP	—	—
Resistive	28VDC	30A	30A	30A	28VDC	20A
Electronic Ballast (LED)	277	16A	16A	—	277	16A

DIGITAL Wiring Diagrams

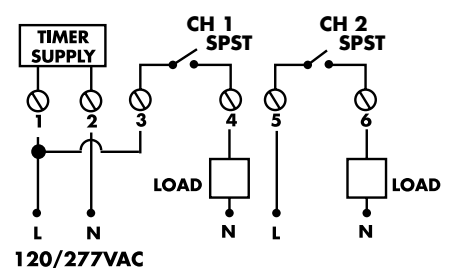
E103B (120/277VAC)



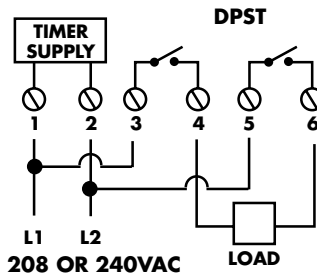
EW101B



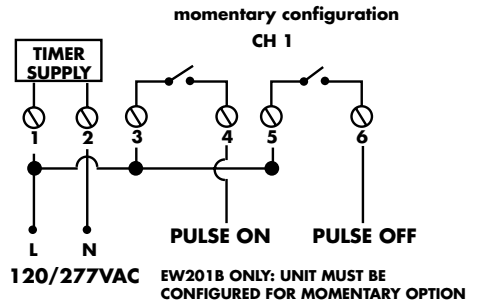
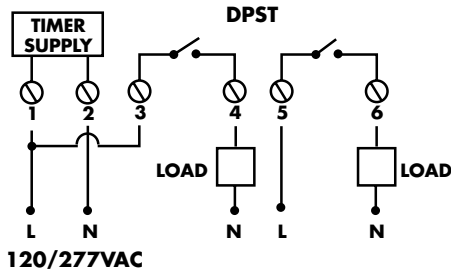
EW201B



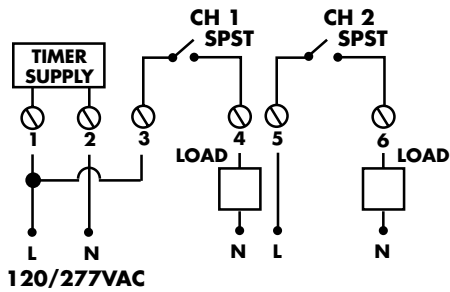
E103B (208/240VAC)



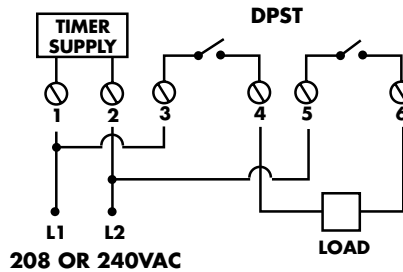
EW103B (120/277VAC)



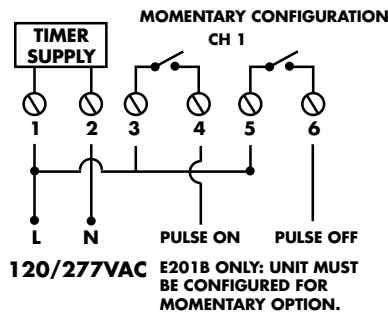
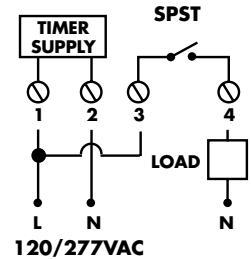
E201B



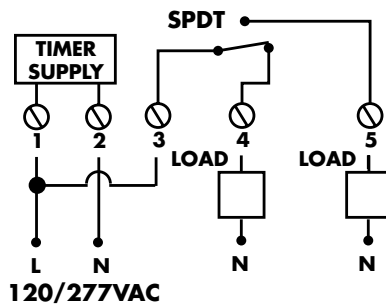
EW103B (208/240VAC)



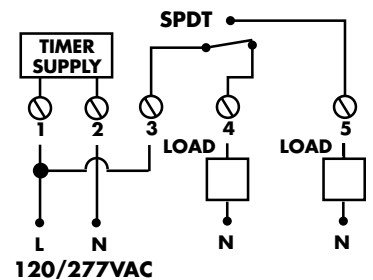
EWZ101



EW120B



EWZ120



DIGITAL 24 Hour Time Switch Multipurpose Control E & E-PB Series



APPLICATIONS

- Signs, air conditioning, lighting.
- Sump pumps, ventilating fans.

FEATURES

- **Scheduling:** 20 ON/OFF set points repeat each day. Minimum setting 1 minute.
- **Daylight Saving:** Automatic adjustment (can be omitted).
- **Leap Year:** Automatic Compensation.
- **Manual Override:** Until the next regularly scheduled ON or OFF, automatic operation then resumes.
- **Clock Format:** AM/PM.
- **Power Outage Backup:** Permanent schedule retention. Supercapacitor provides 4 days of real time backup.
- **Momentary Option:** For mechanically held contractors: Model E201B only. Configure with simple jumper change for single-channel momentary operation.
- **Standards:** Listed UL917
- **Enhanced Switching:** Inrush current limiting technology protects relay contacts for extended life with zero cross type switching.

SPECIFICATIONS

- **Timing Accuracy:** Line Frequency.
- **Input Voltage:**
 - E Series: 120-277VAC, 50/60Hz (automatic detection)
 - E-PB Series: 120VAC, 50/60Hz
- **Terminal Range:** #8 - #16AWG.
- **Operating Temperature:** -40 °F to +149 °F (-40 °C to +65 °C).
- **Power Consumption:** 6VA Max.
- **Enclosure:** Polycarbonate Indoor/Outdoor NEMA 3R is standard with lockable hasp. (See Pages 464-468 For Dimensions).

WIRING DIAGRAMS

- See Pages 377-388 For Diagrams.

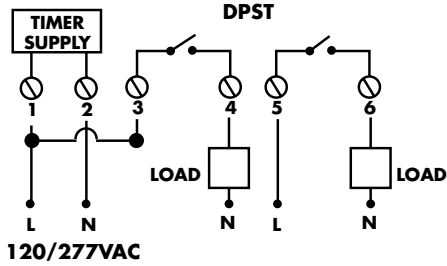


CAT. NO.	UPC CODE	INPUT SUPPLY (VAC) 50/60Hz	NO. OF CHANNELS	DRY CONTACTS (UNPOWERED)
E101B	82401	120-277	1	SPST
E103B	82411	120-277	1	DPST
E120B	82406	120-277	1	SPDT
E201B	82466	120-277	2	SPST
E101PB	82461	120	1	SPST

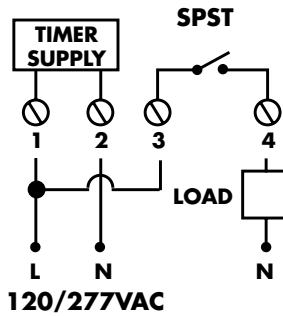
TYPE	E101B, E103B, E201B		E120B		E101PB	
	VOLTAGE (VAC)	RATING NO	RATING NO	NC	VOLTAGE (VAC)	RATING NO
General Purpose	120-277	40A	30A	30A	120/240	30A
					277	12A
Inductive	120-277	40A	30A	30A	120/240	30A
					277	12A
Ballast	120	30A	30A	10A	120	20A
	208-277	20A	20A	10A	277	6A
Tungsten	120	15A	15A	2A	120	5A
Pilot Duty	120-277	720VA	720VA	720VA	120-240	470VA
					277	690VA
Motor	120	1HP	1HP	1HP	120	1HP
	208	1 1/2HP	1 1/2HP	1 1/2HP	240	2HP
	240-277	2HP	2HP	2HP	—	—
Resistive	28VDC	30A	30A	30A	28VDC	20A
Electronic Ballast (LED)	277	16A	16A	—	277	16A

DIGITAL Wiring Diagrams

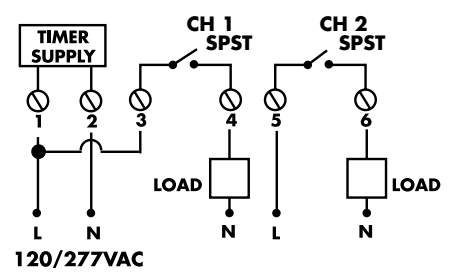
E103B (120/277VAC)



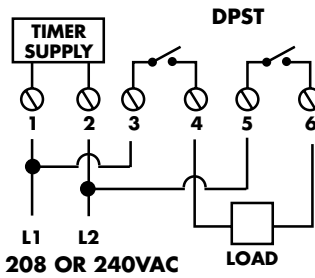
EW101B



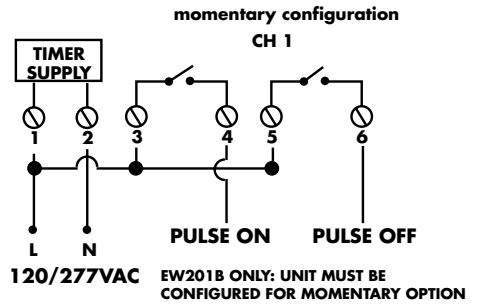
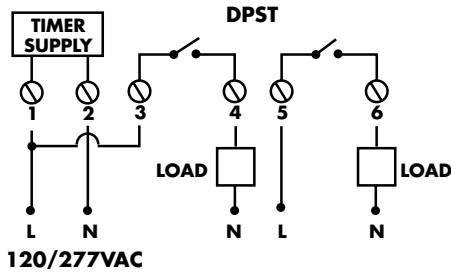
EW201B



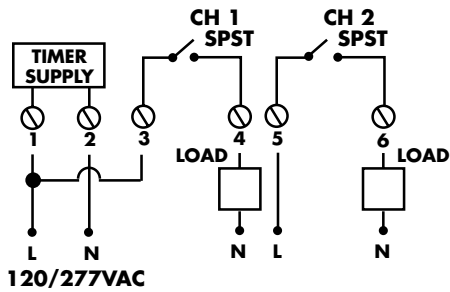
E103B (208/240VAC)



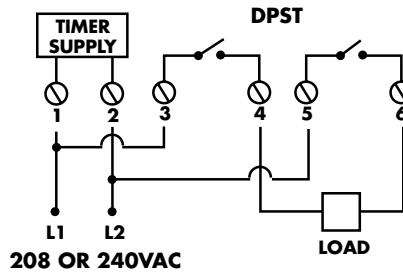
EW103B (120/277VAC)



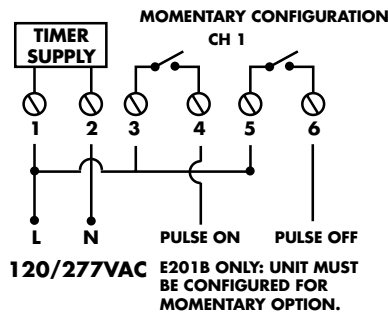
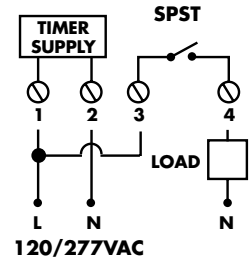
E201B



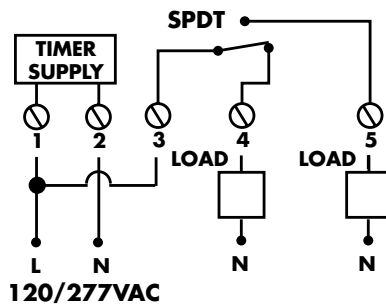
EW103B (208/240VAC)



EWZ101



EW120B



EWZ120

