

Straps, clamps and accessories

Non-metallic clamps

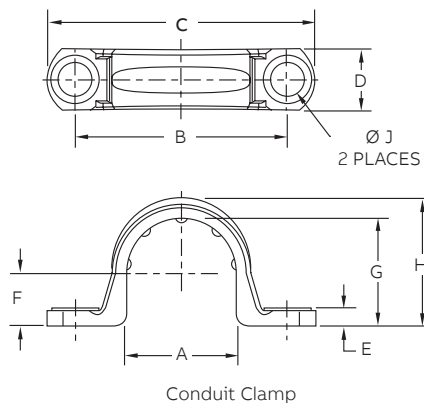


Non-metallic clamps offer the same chemical resistance as Carlon® non-metallic conduits for a complete, corrosion-resistant system.

To be used in accordance with conduit spacing requirements per NEC® Section 352.30 and 12-1114 of the CEC.

- UV inhibited for use in direct sunlight

NEC and National Electrical Code are registered trademarks of the National Fire Protection Association, Inc.



Conduit clamps

| Cat. No. | Size in. (mm) | Std. Ctn. | Std. Wt. (lbs.) | Dimensions in. (mm) | | | | | | | | |
|------------|------------------|--------------|--------------------|---------------------|---------|---------|--------|--------|--------|---------|---------|--------|
| | | | | A | B | C | D | E | F | G | H | J |
| E977DC | ½ | 100 | 1.2 | 0.892 | 1.71 | 2.16 | .50 | .14 | .42 | .866 | 1.04 | .260 |
| | (16) | | | (22.6) | (43.4) | (54.8) | (12.7) | (3.5) | (10.6) | (21.9) | (26.4) | (6.6) |
| E977EC | ¾ | 100 | 1.4 | 1.102 | 1.97 | 2.40 | .50 | .14 | 0.525 | 1.076 | 1.255 | 0.26 |
| | (21) | | | (27.9) | (50.0) | (60.9) | (12.7) | (3.5) | (13.3) | (27.3) | (31.8) | (6.6) |
| E977FC | 1 | 100 | 2 | 1.39 | 2.25 | 2.81 | .594 | .14 | 0.658 | 1.342 | 1.574 | 0.26 |
| | (27) | | | (35.3) | (57.1) | (71.3) | (15.0) | (3.5) | (16.7) | (34.0) | (39.9) | (6.6) |
| E977GC | 1¼ | 50 | 5 | 1.714 | 2.68 | 3.28 | 0.64 | .15 | 0.83 | 1.687 | 1.89 | .32 |
| | (35) | | | (43.5) | (68.0) | (83.3) | (16.2) | (3.8) | (21.0) | (42.8) | (48.0) | (8.1) |
| E977HC | 1½ | 50 | 6 | 1.92 | 2.82 | 3.44 | .70 | 0.15 | 0.97 | 1.93 | 2.12 | .312 |
| | (41) | | | (48.7) | (71.6) | (87.3) | (17.7) | (3.8) | (24.6) | (49) | (53.8) | (7.9) |
| E977JC | 2 | 25 | 4.5 | 2.54 | 3.54 | 4.18 | .76 | .16 | 1.05 | 2.29 | 2.49 | .315 |
| | (53) | | | (64.5) | (89.9) | (106.1) | (19.3) | (4.0) | (26.6) | (58.1) | (63.2) | (8) |
| E977KC-CAR | 2½ | 25 | 1.4 | 2.86 | 4.50 | 5.46 | 1.00 | 0.20 | 1.43 | 2.86 | 3.12 | .36 |
| | (63) | | | (72.6) | (114.3) | (138.7) | (25.4) | (5.08) | (36.3) | (72.6) | (79.2) | (9.14) |
| E977LC-CAR | 3 | 20 | 1.4 | 3.47 | 5.00 | 6.00 | 1.00 | .20 | 1.74 | 3.48 | 3.70 | .36 |
| | (78) | | | (88.2) | (127.0) | (152.4) | (25.4) | (5.08) | (44.3) | (88.4) | (94.0) | (9.14) |
| E977NC-CAR | 4 | 15 | 12.2 | 4.366 | 6.15 | 7.20 | 1.00 | .20 | 2.32 | 4.50 | 4.70 | .36 |
| | (103) | | | (110.9) | (156.2) | (182.9) | (25.4) | (5.08) | (58.8) | (114.3) | (119.4) | (9.14) |

Note: Some clamp applications require two screws, two nuts and two washers.

Straps, clamps and accessories

Non-metallic clamps

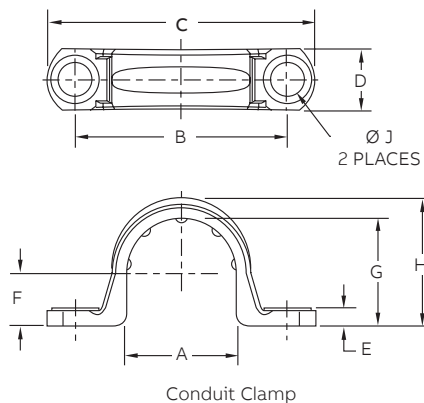


Non-metallic clamps offer the same chemical resistance as Carlon® non-metallic conduits for a complete, corrosion-resistant system.

To be used in accordance with conduit spacing requirements per NEC® Section 352.30 and 12-1114 of the CEC.

- UV inhibited for use in direct sunlight

NEC and National Electrical Code are registered trademarks of the National Fire Protection Association, Inc.



Conduit clamps

| Cat. No. | Size in. (mm) | Std. Ctn. | Std. Wt. (lbs.) | Dimensions in. (mm) | | | | | | | | |
|------------|------------------|--------------|--------------------|---------------------|---------|---------|--------|--------|--------|---------|---------|--------|
| | | | | A | B | C | D | E | F | G | H | J |
| E977DC | ½ | 100 | 1.2 | 0.892 | 1.71 | 2.16 | .50 | .14 | .42 | .866 | 1.04 | .260 |
| | (16) | | | (22.6) | (43.4) | (54.8) | (12.7) | (3.5) | (10.6) | (21.9) | (26.4) | (6.6) |
| E977EC | ¾ | 100 | 1.4 | 1.102 | 1.97 | 2.40 | .50 | .14 | 0.525 | 1.076 | 1.255 | 0.26 |
| | (21) | | | (27.9) | (50.0) | (60.9) | (12.7) | (3.5) | (13.3) | (27.3) | (31.8) | (6.6) |
| E977FC | 1 | 100 | 2 | 1.39 | 2.25 | 2.81 | .594 | .14 | 0.658 | 1.342 | 1.574 | 0.26 |
| | (27) | | | (35.3) | (57.1) | (71.3) | (15.0) | (3.5) | (16.7) | (34.0) | (39.9) | (6.6) |
| E977GC | 1¼ | 50 | 5 | 1.714 | 2.68 | 3.28 | 0.64 | .15 | 0.83 | 1.687 | 1.89 | .32 |
| | (35) | | | (43.5) | (68.0) | (83.3) | (16.2) | (3.8) | (21.0) | (42.8) | (48.0) | (8.1) |
| E977HC | 1½ | 50 | 6 | 1.92 | 2.82 | 3.44 | .70 | 0.15 | 0.97 | 1.93 | 2.12 | .312 |
| | (41) | | | (48.7) | (71.6) | (87.3) | (17.7) | (3.8) | (24.6) | (49) | (53.8) | (7.9) |
| E977JC | 2 | 25 | 4.5 | 2.54 | 3.54 | 4.18 | .76 | .16 | 1.05 | 2.29 | 2.49 | .315 |
| | (53) | | | (64.5) | (89.9) | (106.1) | (19.3) | (4.0) | (26.6) | (58.1) | (63.2) | (8) |
| E977KC-CAR | 2½ | 25 | 1.4 | 2.86 | 4.50 | 5.46 | 1.00 | 0.20 | 1.43 | 2.86 | 3.12 | .36 |
| | (63) | | | (72.6) | (114.3) | (138.7) | (25.4) | (5.08) | (36.3) | (72.6) | (79.2) | (9.14) |
| E977LC-CAR | 3 | 20 | 1.4 | 3.47 | 5.00 | 6.00 | 1.00 | .20 | 1.74 | 3.48 | 3.70 | .36 |
| | (78) | | | (88.2) | (127.0) | (152.4) | (25.4) | (5.08) | (44.3) | (88.4) | (94.0) | (9.14) |
| E977NC-CAR | 4 | 15 | 12.2 | 4.366 | 6.15 | 7.20 | 1.00 | .20 | 2.32 | 4.50 | 4.70 | .36 |
| | (103) | | | (110.9) | (156.2) | (182.9) | (25.4) | (5.08) | (58.8) | (114.3) | (119.4) | (9.14) |

Note: Some clamp applications require two screws, two nuts and two washers.