

## Straps, clamps and accessories

### Non-metallic clamps

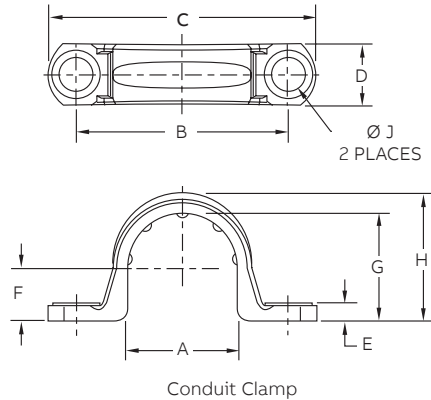


Non-metallic clamps offer the same chemical resistance as Carlon® non-metallic conduits for a complete, corrosion-resistant system.

To be used in accordance with conduit spacing requirements per NEC® Section 352.30 and 12-1114 of the CEC.

- UV inhibited for use in direct sunlight

NEC and National Electrical Code are registered trademarks of the National Fire Protection Association, Inc.



### Conduit clamps

| Cat. No.   | Size<br>in. (mm) | Std.<br>Ctn. | Std. Wt.<br>(lbs.) | Dimensions in. (mm) |         |         |        |        |        |         |         |        |
|------------|------------------|--------------|--------------------|---------------------|---------|---------|--------|--------|--------|---------|---------|--------|
|            |                  |              |                    | A                   | B       | C       | D      | E      | F      | G       | H       | J      |
| E977DC     | 1/2              | 100          | 1.2                | 0.892               | 1.71    | 2.16    | .50    | .14    | .42    | .866    | 1.04    | .260   |
|            | (16)             |              |                    | (22.6)              | (43.4)  | (54.8)  | (12.7) | (3.5)  | (10.6) | (21.9)  | (26.4)  | (6.6)  |
| E977EC     | 3/4              | 100          | 1.4                | 1.102               | 1.97    | 2.40    | .50    | .14    | 0.525  | 1.076   | 1.255   | 0.26   |
|            | (21)             |              |                    | (27.9)              | (50.0)  | (60.9)  | (12.7) | (3.5)  | (13.3) | (27.3)  | (31.8)  | (6.6)  |
| E977FC     | 1                | 100          | 2                  | 1.39                | 2.25    | 2.81    | .594   | .14    | 0.658  | 1.342   | 1.574   | 0.26   |
|            | (27)             |              |                    | (35.3)              | (57.1)  | (71.3)  | (15.0) | (3.5)  | (16.7) | (34.0)  | (39.9)  | (6.6)  |
| E977GC     | 1 1/4            | 50           | 5                  | 1.714               | 2.68    | 3.28    | 0.64   | .15    | 0.83   | 1.687   | 1.89    | .32    |
|            | (35)             |              |                    | (43.5)              | (68.0)  | (83.3)  | (16.2) | (3.8)  | (21.0) | (42.8)  | (48.0)  | (8.1)  |
| E977HC     | 1 1/2            | 50           | 6                  | 1.92                | 2.82    | 3.44    | .70    | 0.15   | 0.97   | 1.93    | 2.12    | .312   |
|            | (41)             |              |                    | (48.7)              | (71.6)  | (87.3)  | (17.7) | (3.8)  | (24.6) | (49)    | (53.8)  | (7.9)  |
| E977JC     | 2                | 25           | 4.5                | 2.54                | 3.54    | 4.18    | .76    | .16    | 1.05   | 2.29    | 2.49    | .315   |
|            | (53)             |              |                    | (64.5)              | (89.9)  | (106.1) | (19.3) | (4.0)  | (26.6) | (58.1)  | (63.2)  | (8)    |
| E977KC-CAR | 2 1/2            | 25           | 1.4                | 2.86                | 4.50    | 5.46    | 1.00   | 0.20   | 1.43   | 2.86    | 3.12    | .36    |
|            | (63)             |              |                    | (72.6)              | (114.3) | (138.7) | (25.4) | (5.08) | (36.3) | (72.6)  | (79.2)  | (9.14) |
| E977LC-CAR | 3                | 20           | 1.4                | 3.47                | 5.00    | 6.00    | 1.00   | .20    | 1.74   | 3.48    | 3.70    | .36    |
|            | (78)             |              |                    | (88.2)              | (127.0) | (152.4) | (25.4) | (5.08) | (44.3) | (88.4)  | (94.0)  | (9.14) |
| E977NC-CAR | 4                | 15           | 12.2               | 4.366               | 6.15    | 7.20    | 1.00   | .20    | 2.32   | 4.50    | 4.70    | .36    |
|            | (103)            |              |                    | (110.9)             | (156.2) | (182.9) | (25.4) | (5.08) | (58.8) | (114.3) | (119.4) | (9.14) |

**Note:** Some clamp applications require two screws, two nuts and two washers.

## Straps, clamps and accessories

### Non-metallic clamps

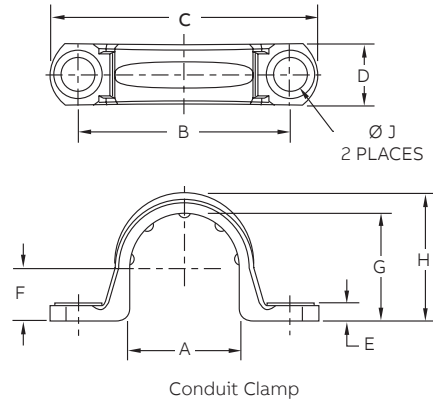


Non-metallic clamps offer the same chemical resistance as Carlon® non-metallic conduits for a complete, corrosion-resistant system.

To be used in accordance with conduit spacing requirements per NEC® Section 352.30 and 12-1114 of the CEC.

- UV inhibited for use in direct sunlight

NEC and National Electrical Code are registered trademarks of the National Fire Protection Association, Inc.



### Conduit clamps

| Cat. No.   | Size<br>in. (mm) | Std.<br>Ctn. | Std. Wt.<br>(lbs.) | Dimensions in. (mm) |         |         |        |        |        |         |         |        |
|------------|------------------|--------------|--------------------|---------------------|---------|---------|--------|--------|--------|---------|---------|--------|
|            |                  |              |                    | A                   | B       | C       | D      | E      | F      | G       | H       | J      |
| E977DC     | 1/2              | 100          | 1.2                | 0.892               | 1.71    | 2.16    | .50    | .14    | .42    | .866    | 1.04    | .260   |
|            | (16)             |              |                    | (22.6)              | (43.4)  | (54.8)  | (12.7) | (3.5)  | (10.6) | (21.9)  | (26.4)  | (6.6)  |
| E977EC     | 3/4              | 100          | 1.4                | 1.102               | 1.97    | 2.40    | .50    | .14    | 0.525  | 1.076   | 1.255   | 0.26   |
|            | (21)             |              |                    | (27.9)              | (50.0)  | (60.9)  | (12.7) | (3.5)  | (13.3) | (27.3)  | (31.8)  | (6.6)  |
| E977FC     | 1                | 100          | 2                  | 1.39                | 2.25    | 2.81    | .594   | .14    | 0.658  | 1.342   | 1.574   | 0.26   |
|            | (27)             |              |                    | (35.3)              | (57.1)  | (71.3)  | (15.0) | (3.5)  | (16.7) | (34.0)  | (39.9)  | (6.6)  |
| E977GC     | 1 1/4            | 50           | 5                  | 1.714               | 2.68    | 3.28    | 0.64   | .15    | 0.83   | 1.687   | 1.89    | .32    |
|            | (35)             |              |                    | (43.5)              | (68.0)  | (83.3)  | (16.2) | (3.8)  | (21.0) | (42.8)  | (48.0)  | (8.1)  |
| E977HC     | 1 1/2            | 50           | 6                  | 1.92                | 2.82    | 3.44    | .70    | 0.15   | 0.97   | 1.93    | 2.12    | .312   |
|            | (41)             |              |                    | (48.7)              | (71.6)  | (87.3)  | (17.7) | (3.8)  | (24.6) | (49)    | (53.8)  | (7.9)  |
| E977JC     | 2                | 25           | 4.5                | 2.54                | 3.54    | 4.18    | .76    | .16    | 1.05   | 2.29    | 2.49    | .315   |
|            | (53)             |              |                    | (64.5)              | (89.9)  | (106.1) | (19.3) | (4.0)  | (26.6) | (58.1)  | (63.2)  | (8)    |
| E977KC-CAR | 2 1/2            | 25           | 1.4                | 2.86                | 4.50    | 5.46    | 1.00   | 0.20   | 1.43   | 2.86    | 3.12    | .36    |
|            | (63)             |              |                    | (72.6)              | (114.3) | (138.7) | (25.4) | (5.08) | (36.3) | (72.6)  | (79.2)  | (9.14) |
| E977LC-CAR | 3                | 20           | 1.4                | 3.47                | 5.00    | 6.00    | 1.00   | .20    | 1.74   | 3.48    | 3.70    | .36    |
|            | (78)             |              |                    | (88.2)              | (127.0) | (152.4) | (25.4) | (5.08) | (44.3) | (88.4)  | (94.0)  | (9.14) |
| E977NC-CAR | 4                | 15           | 12.2               | 4.366               | 6.15    | 7.20    | 1.00   | .20    | 2.32   | 4.50    | 4.70    | .36    |
|            | (103)            |              |                    | (110.9)             | (156.2) | (182.9) | (25.4) | (5.08) | (58.8) | (114.3) | (119.4) | (9.14) |

**Note:** Some clamp applications require two screws, two nuts and two washers.