

## DESCRIPTION

The EI700 housing is designed for use in insulated ceilings where the housing will be in direct contact with insulation material.

Catalog #	Type
Project	
Comments	
Prepared by	Date

## DESIGN FEATURES

### A---Housing

Aluminum construction for greater heat dissipation.

### B---Socket Plate

Rigid socket plate adjusts and locks without tools for various lamp sizes.

### C---Plaster Frame

Housing adjusts in plaster frame to accommodate up to 2" thick ceilings. Plaster frame includes locking screws for hanger bars and cutouts for crimping hanger bars in position.

### D---Junction Box

U.L. listed for through branch circuit wiring. Positioned to accommodate straight conduit runs. Seven conduit knockouts are uniform 1/2" size with true pryout slots. Four pryouts with integral strain relief simplify non-metallic sheathed cable installation.

### E---Bar Hangers

Pre-installed, captive bar hangers allow housing to be positioned at any point within a 24" joist span. Score lines provided for easy field shortening for 12" joists. Unique arrowhead design provides "nailess" installation. Bar hangers can be repositioned 90° without tools on plaster frame. Bar hangers can be locked in position with lock down screw and/or crimping tabs.

### F---Socket

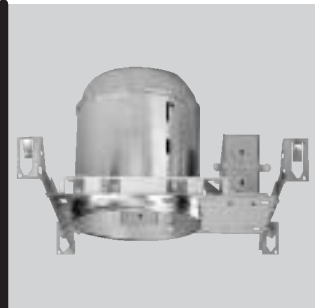
Porcelain socket with nickel plated brass screw shell and center contact snaps into trim for consistent lamp positioning.

### G---Thermal Protector

Self resetting thermal protector deactivates fixture if overheating occurs due to improper lamping.

### Labels

- UL Listed for Damp Location
  - UL listed for Feed Through
  - UL listed for Direct Contact with Insulation and combustible material
  - CSA Certified
- Meets following requirements:
- State of California Title 24
  - Washington State Energy Code
  - International Energy Conservation Code (IECC)
  - New York State Energy Conservation Construction Code (NY-ECCC)
  - Model Energy Code (MEC)
  - Certified Under ASTM-E283



## EI700AT

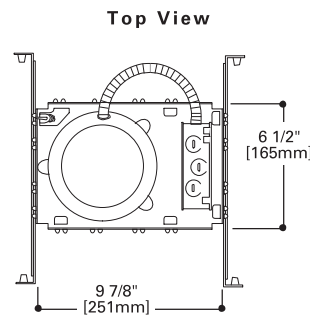
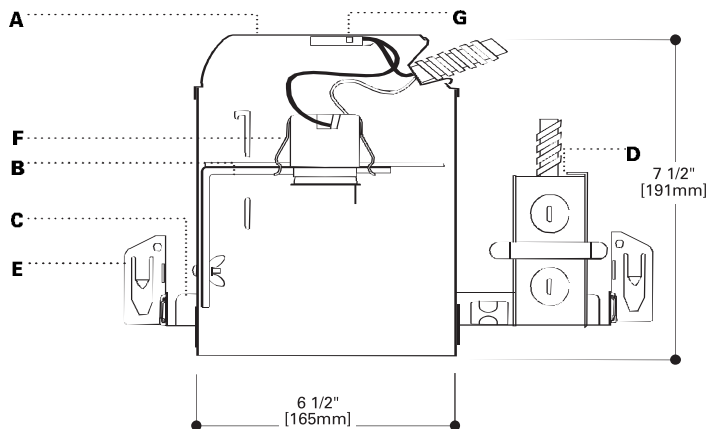
### 6" Insulated Ceiling Recessed Housing

6" TRIMS

FOR USE IN INSULATED CEILINGS

FOR DIRECT CONTACT WITH INSULATION

AIR-TITE™ HOUSING PREVENTS AIRFLOW BETWEEN ATTIC AND LIVING AREAS



Ordering information on reverse

## TRIMS

## ORDERING INFORMATION

SAMPLE NUMBER: E1700-ERT710

Order housing, trim and accessories separately.

## Housing

## Trims

E1700AT=  
Insulated  
Ceiling  
AIR-TITE  
Housing

## REFLECTORS



ERT710

**Cone Reflector****75W R30, 65W BR30, 50W PAR30, 75W PAR30L**ERT710=Specular Clear Reflector,  
High Gloss Appliance White Trim Ring  
ERT710G=Gold Reflector, White Trim  
Ring  
OD: 8" (203mm)

ERT712

**White Cone Reflector****75W PAR30, 75W PAR30L, 75W R30, 65W BR30,  
40W A19, 90W BR40**ERT712=White Reflector Cone, High Gloss Appliance  
White  
Makes the E1700 Housing AIR-TITE

OD: 7 1/4" (184mm)

## BAFFLES



ERT707

**Metal Baffle****75W R30, 65W BR30, 50W PAR30, 75W PAR30L**ERT707=Black Baffle, High Gloss Appliance White  
Trim RingERT707WHT=White Baffle, High Gloss Appliance  
White

OD: 8" (203mm)



ERT713

**Full Cone Metal Baffle****75W PAR30, 75W PAR30L, 75W R30, 65W BR30, 40W  
A19, 90W BR40**ERT713=Black Metal Baffle, High Gloss Appliance  
White Trim Ring  
Makes the E1700 Housing AIR-TITEERT713WHT=White Metal Baffle,  
High Gloss Appliance White  
Makes the E1700 Housing AIR-TITEERT713TS=Black Metal Baffle, High Gloss Appliance  
White Trim Ring  
Torsion Spring Design  
Makes the E1700 Housing AIR-TITEERT713WHTTS=White Metal Baffle,  
High Gloss Appliance White  
Torsion Spring Design  
Makes the E1700 Housing AIR-TITE

OD: 7 1/4" (184mm)



ERT713L

**Full Cone Metal Baffle - Taller height than ERT713  
for deeper BR40 lamp regression****65W BR30, 75W BR40, 75W PAR30L**ERT713L=Black Metal Baffle, High Gloss Appliance  
White Trim RingERT713LTS=Black Metal Baffle, High Gloss  
Appliance White Trim Ring  
Torsion Spring Design  
Makes the E1700 Housing AIR-TITE

OD: 7 1/4" (184mm)



ERT714

**Plastic Baffle****65W BR30, 50W PAR30L, 50W PAR30**ERT714=Black Baffle, High Gloss Appliance White  
Trim RingERT714WHT=White Baffle, High Gloss Appliance  
White

OD: 8" (203mm)

## OPEN TRIMS



ERT705

**Open****65W BR30, 75W PAR30L**

ERT705=High Gloss Appliance White Open Trim

OD: 7 1/4" (184mm)

## ADJUSTABLES



ERT704

**Eyeball****65W BR30, 75W R30**

ERT704=High Gloss Appliance White Eyeball

ERT704PB=Polished Brass Eyeball

OD: 8" (203mm)



ERT711

**Regressed Eyeball  
50W PAR30**

ERT711=High Gloss Appliance White Eyeball,

Black Baffle, High Gloss Appliance

White Trim Ring

OD: 8" (203mm)

**Shower Light****40W A19**

ERT721=High Gloss Appliance White

OD: 8" (203mm)

Note: Specifications and Dimensions subject to change without notice.

Visit our web site at [www.cooperlighting.com](http://www.cooperlighting.com)

## DESCRIPTION

The EI700 housing is designed for use in insulated ceilings where the housing will be in direct contact with insulation material.

Catalog #	Type
Project	
Comments	
Prepared by	Date

## DESIGN FEATURES

### A---Housing

Aluminum construction for greater heat dissipation.

### B---Socket Plate

Rigid socket plate adjusts and locks without tools for various lamp sizes.

### C---Plaster Frame

Housing adjusts in plaster frame to accommodate up to 2" thick ceilings. Plaster frame includes locking screws for hanger bars and cutouts for crimping hanger bars in position.

### D---Junction Box

U.L. listed for through branch circuit wiring. Positioned to accommodate straight conduit runs. Seven conduit knockouts are uniform 1/2" size with true pryout slots. Four pryouts with integral strain relief simplify non-metallic sheathed cable installation.

### E---Bar Hangers

Pre-installed, captive bar hangers allow housing to be positioned at any point within a 24" joist span. Score lines provided for easy field shortening for 12" joists. Unique arrowhead design provides "nailess" installation. Bar hangers can be repositioned 90° without tools on plaster frame. Bar hangers can be locked in position with lock down screw and/or crimping tabs.

### F---Socket

Porcelain socket with nickel plated brass screw shell and center contact snaps into trim for consistent lamp positioning.

### G---Thermal Protector

Self resetting thermal protector deactivates fixture if overheating occurs due to improper lamping.

### Labels

- UL Listed for Damp Location
  - UL listed for Feed Through
  - UL listed for Direct Contact with Insulation and combustible material
  - CSA Certified
- Meets following requirements:
- State of California Title 24
  - Washington State Energy Code
  - International Energy Conservation Code (IECC)
  - New York State Energy Conservation Construction Code (NY-ECCC)
  - Model Energy Code (MEC)
  - Certified Under ASTM-E283



## EI700AT

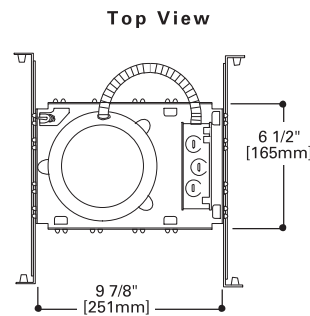
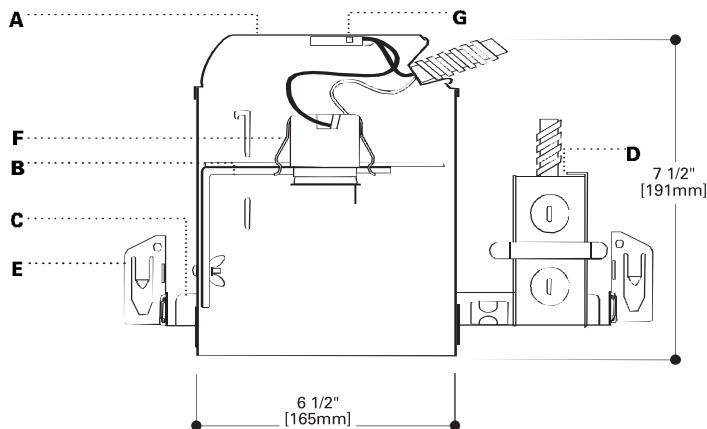
### 6" Insulated Ceiling Recessed Housing

6" TRIMS

FOR USE IN INSULATED CEILINGS

FOR DIRECT CONTACT WITH INSULATION

AIR-TITE™ HOUSING PREVENTS AIRFLOW BETWEEN ATTIC AND LIVING AREAS



Ordering information on reverse

## TRIMS

## ORDERING INFORMATION

SAMPLE NUMBER: E1700-ERT710

Order housing, trim and accessories separately.

## Housing

## Trims

E1700AT=  
Insulated  
Ceiling  
AIR-TITE  
Housing

## REFLECTORS



ERT710

**Cone Reflector****75W R30, 65W BR30, 50W PAR30, 75W PAR30L**ERT710=Specular Clear Reflector,  
High Gloss Appliance White Trim Ring  
ERT710G=Gold Reflector, White Trim  
Ring  
OD: 8" (203mm)

ERT712

**White Cone Reflector****75W PAR30, 75W PAR30L, 75W R30, 65W BR30,  
40W A19, 90W BR40**ERT712=White Reflector Cone, High Gloss Appliance  
White  
Makes the E1700 Housing AIR-TITE

OD: 7 1/4" (184mm)

## BAFFLES



ERT707

**Metal Baffle****75W R30, 65W BR30, 50W PAR30, 75W PAR30L**ERT707=Black Baffle, High Gloss Appliance White  
Trim RingERT707WHT=White Baffle, High Gloss Appliance  
White

OD: 8" (203mm)



ERT713

**Full Cone Metal Baffle****75W PAR30, 75W PAR30L, 75W R30, 65W BR30, 40W  
A19, 90W BR40**ERT713=Black Metal Baffle, High Gloss Appliance  
White Trim Ring  
Makes the E1700 Housing AIR-TITEERT713WHT=White Metal Baffle,  
High Gloss Appliance White  
Makes the E1700 Housing AIR-TITEERT713TS=Black Metal Baffle, High Gloss Appliance  
White Trim Ring  
Torsion Spring Design  
Makes the E1700 Housing AIR-TITEERT713WHTTS=White Metal Baffle,  
High Gloss Appliance White  
Torsion Spring Design  
Makes the E1700 Housing AIR-TITE

OD: 7 1/4" (184mm)



ERT713L

**Full Cone Metal Baffle - Taller height than ERT713  
for deeper BR40 lamp regression****65W BR30, 75W BR40, 75W PAR30L**ERT713L=Black Metal Baffle, High Gloss Appliance  
White Trim RingERT713LTS=Black Metal Baffle, High Gloss  
Appliance White Trim Ring  
Torsion Spring Design  
Makes the E1700 Housing AIR-TITE

OD: 7 1/4" (184mm)



ERT714

**Plastic Baffle****65W BR30, 50W PAR30L, 50W PAR30**ERT714=Black Baffle, High Gloss Appliance White  
Trim Ring  
ERT714WHT=White Baffle, High Gloss Appliance  
White

OD: 8" (203mm)

## OPEN TRIMS



ERT705

**Open****65W BR30, 75W PAR30L**

ERT705=High Gloss Appliance White Open Trim

OD: 7 1/4" (184mm)

## ADJUSTABLES



ERT704

**Eyeball****65W BR30, 75W R30**

ERT704=High Gloss Appliance White Eyeball

ERT704PB=Polished Brass Eyeball

OD: 8" (203mm)



ERT711

**Regressed Eyeball****50W PAR30**

ERT711=High Gloss Appliance White Eyeball,

Black Baffle, High Gloss Appliance

White Trim Ring

OD: 8" (203mm)

**Shower Light****40W A19**

ERT721=High Gloss Appliance White

OD: 8" (203mm)

Note: Specifications and Dimensions subject to change without notice.

Visit our web site at [www.cooperlighting.com](http://www.cooperlighting.com)