

# KT-EMRG-LED-5-500-K1

## CONSTANT WATTAGE LED EMERGENCY BACK-UP



### DESCRIPTION

LED Emergency Back-Up Driver Kit | 5W Output | 120-277V Input

**DRIVER TYPE:** Constant Wattage LED Emergency

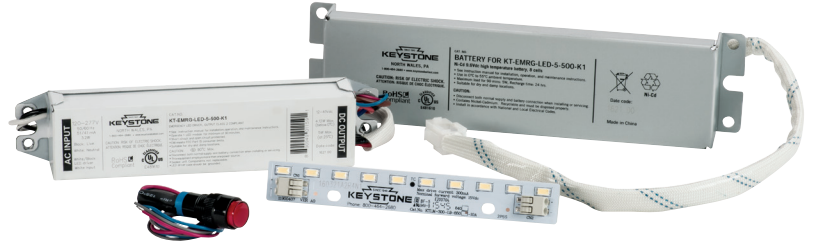
**MAX. OUTPUT POWER:** 5W

**INPUT VOLTAGE:** 120-277Vac  $\pm$ 10%

**OUTPUT VOLTAGE:** 12~41 Vdc

**OUTPUT CURRENT:** 400mA-100mA

**WARRANTY:** 5 Years



### PRODUCT FEATURES

- Drives Dedicated LED Load (Included) at 5W for a Minimum of 90 Minutes
- Meets FCC Part 15 (Class B) Consumer Limits
- Short Circuit Overload and Open Load Protection
- Type 1 Outdoor, Suitable for Dry and Damp Locations
- Evaluated to UL 924 Standards
- Operating Temperature: 32°F/0°C to 122°F/50°C
- Input Frequency: 50/60 Hz
- Test Switch/ Charging Indicator Light
- Battery Pack with Quick Connect; NiCd
- Battery Capacity: 1200mAh

## SPECIFICATIONS

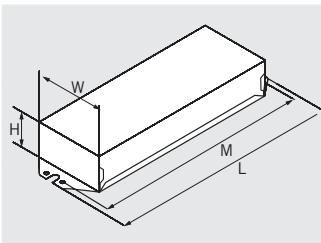
### ELECTRICAL SPECIFICATIONS

Family	INPUT CHARACTERISTICS			OUTPUT CHARACTERISTICS		
	Input Voltage	Power Factor	Max. Current	Max. Output Power	Rated Output Current	Output Voltage
5W	120-277Vac	$\geq$ 0.5	0.03A @ 120V	5W	400mA-100mA	12~41Vdc

Emergency pack designed to deliver 5W to a constant current LED load. Approximate output is 500 lumens assuming a nominal minimum efficacy of 100lm/W.

### MECHANICAL SPECIFICATIONS

#### CASE DIMENSIONS



LENGTH	6.46"
WIDTH	1.37"
HEIGHT	1.00"
MOUNTING	6.00"
CASE STYLE	L7
CASE MATERIAL	METAL

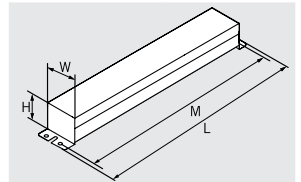
#### STANDARD LEAD LENGTHS\*

WHITE	12"
BLACK	12"
WHITE/BLACK	12"
RED	24"
BLUE	24"
BROWN	24"

\*Consult Keystone for special lead length requirements.

Lead wires are 18 AWG 105°C/600V.

#### BATTERY SIZE



LENGTH	8.10"
WIDTH	1.97"
HEIGHT	0.98"
MOUNTING	7.57"

#### MODULE SPECIFICATIONS

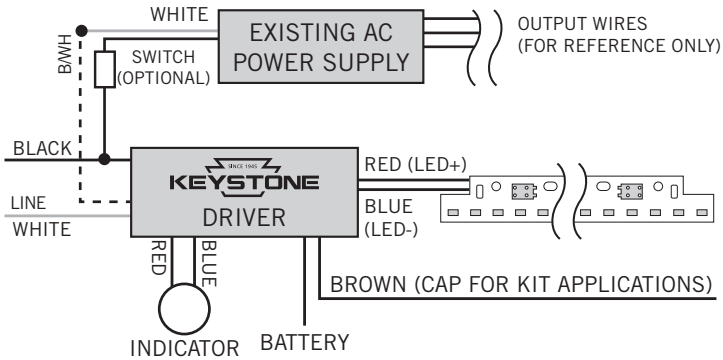
CATALOG NUMBER	KTLM-300-L9-850-10A-CP		
LENGTH	5.00"	No. of LEDs	10
WIDTH	0.70"	Color Temperature	5000K

# KT-EMRG-LED-5-500-K1

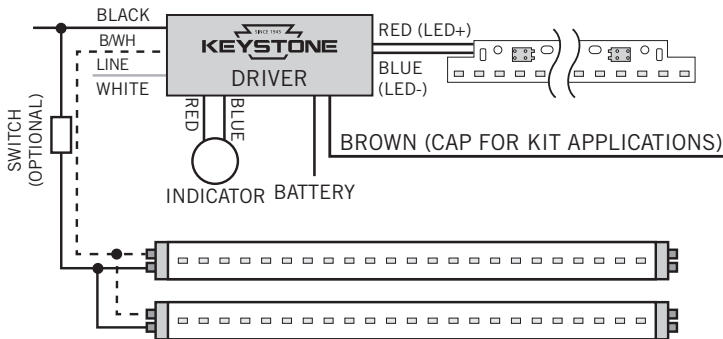
## CONSTANT WATTAGE LED EMERGENCY BACK-UP

### WIRING DIAGRAMS

#### 1. KIT WIRING DIAGRAM WITH EXISTING POWER SUPPLY



#### 2. KIT WIRING DIAGRAM WITH DIRECT DRIVE LED TUBE FIXTURE



### ORDERING INFORMATION

ORDER CODE	DESCRIPTION	PACKAGING STYLE	PACK QTY.	ITEM STATUS
KT-EMRG-LED-5-500-K1-IP	LED Emergency Driver Kit with Battery and 0.7" x 6" 500 lumen LED Module	Individually Packaged	1	Active

### CATALOG NUMBER BREAKDOWN

# KT-EMRG-LED-5-500-K1

