

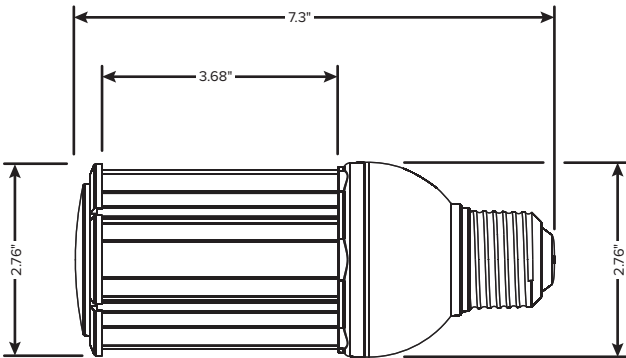
Key Features & Benefits:

- Wet Location Approved
- Omnidirectional
- Rated for Fully Enclosed Fixtures



Technical Specifications:

- Power: 23 Watts
- Lumen Output: Up to 3,115 Lumens
- Efficacy (lm/W): Up to 139 Lumens per Watt
- Kelvin: 3000K, 4000K, 5000K
- CRI: >80
- Input Voltage: 120-277 VAC
- Life Span: 50,000 Hours
- Beam Angle: 300°
- Dimensions(ØxH): 2.76" x 7.3"
- Weight(lbs): 0.8 lbs
- Base Type: E39/E26
- Operating Temperature: -4 ~ 149°F (-20 ~ 65°C)
- Power Factor: >0.95
- Total Harmonic Distortion (THD): < 20%



Project: _____ Date: _____
 Catalog #: _____
 Notes: _____



No Fans



No Noise



No Bugs

ITEM#	WATTS	LUMEN OUTPUT	EFFICACY (lm/W)	KELVIN
ESL-CL-23W-230	23W	2,780	127	3000K
ESL-CL-23W-240	23W	2,970	134	4000K
ESL-CL-23W-250	23W	3,115	139	5000K

*2700K and 5700K available upon request

Ordering Guide:

Example Part Number: **ESL-CL-23W-230S**

ESL	-	CL	-	23W	-	2	-		-	
ESL		TYPE		WATTS		GENERATION		KELVIN		BASE
		CL		23W (23 Watts)		2 (2nd Generation)		30 (3000K) 40 (4000K) 50 (5000K)		S (E26) M (E39)

Additional Options:

2
OPTIONS
ESL-SP-277 (Surge Protector up to 277 VAC)