

## DESCRIPTION

The ET400LVAT is a small aperture low voltage housing for providing accent and task lighting. This is an AIR-TITE™ housing for use in non-insulated ceilings. If ceiling insulation is present, it must be kept 3" from the fixtures on all sides. For use with MR16 lamps.

Catalog #		Type
Project		
Comments		Date
Prepared by		

## SPECIFICATION FEATURES

### Housing

Die-formed CRS with gray powder coat finish.

### Plaster Frame

- Housing is secured in plaster frame with spring barbs.
- The housing can be adjusted in the plaster frame.
- The housing can be removed from the plaster frame to provide access to the junction box.
- AIR-TITE gasket is pre-installed.

### Junction Box

- Positioned to accommodate straight conduit runs.
- Seven conduit knockouts are uniform 1/2" size with true pryout slots.
- Four pryouts with integral strain relief simplify "NM" non-metallic sheathed cable installation.
- Three quick connect wire connectors included.

### ALL-NAIL™ Bar Hangers

Bar Hanger features include:

- Pre-installed nail.
- Mini leveling foot aligns the housing to the bottom of the joist.
- Housing can be positioned at any point within 24" joist spans
- Score lines allow tool-free shortening for narrow joist spacing.
- Bar hangers may be repositioned 90° on plaster frame
- Integral T-bar clip snaps onto T-bars – no additional clips are required

### Socket

Ceramic socket with reflector for bi-pin 12V, MR16 lamps.

### Transformer

120V Integral magnetic transformer steps line voltage

down to lamp operating voltage.

### Thermal Protector

Thermal protector integrated in the transformer deactivates fixture if overheating occurs due to improper operating condition or misapplied insulation.

### Labels

- UL/cUL Listed 1598 Luminaire
- UL/cUL Listed for Damp Location
- UL/cUL Listed for Feed Through
- UL/cUL Listed for Wet Location, covered ceiling
- IP Rated (Improper Lamp)
- Certified Under ASTM-E283 for air tight construction

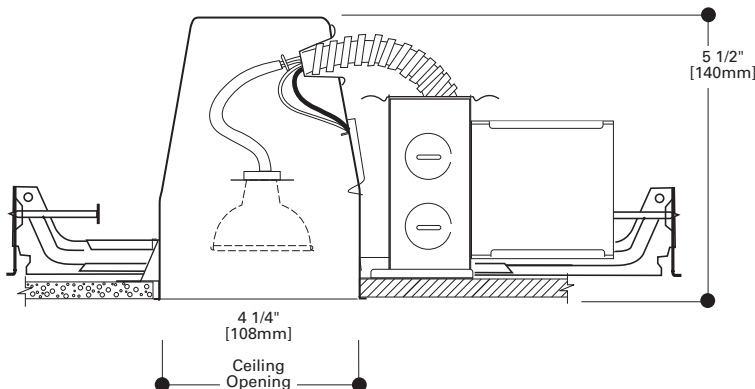


## ET400LVAT

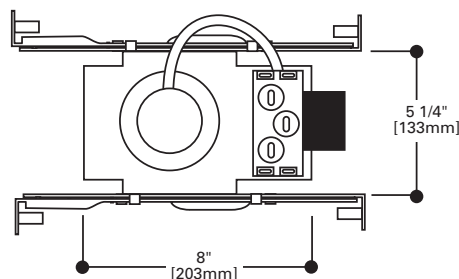
**4" Non Insulated Ceiling Low Voltage AIR-TITE™ Recessed Housing**

4" TRIMS

FOR USE IN NON-INSULATED CEILINGS OR INSULATED CEILINGS BUT INSULATION MUST BE KEPT 3" FROM ALL SIDES OF FIXTURE



### Top View



air-tite™

ALL-PRO  
ALL-NAIL

Quick Connect™

## TRIMS

## ORDERING INFORMATION

SAMPLE NUMBER: ET400LVAT-ERT403LV

Order housing, trim and accessories separately.

## Housing

**ET400LVAT**=4" Non-Insulated  
Ceiling Small  
Aperture Low  
Voltage AIR-TITE  
Housing

## Trims



ERT403LV

**Reflector Cone****50W 12V MR16**

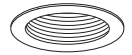
ERT403LV=Specular Clear Reflector,

Gloss White Trim Ring

ERT403LVG=Specular Gold Reflector,

Gloss White Trim Ring

OD: 5" (127mm)



ERT401LV

**Baffle****50W 12V MR16**

ERT401LV=Black Baffle, Gloss White Trim Ring

ERT401LVW=White Baffle with Gloss White Trim Ring

OD: 5" (127mm)



ERT402LV

**Eyeball****50W 12V MR16**

ERT402LV=Gloss White Eyeball, Black Baffle

OD: 5" (127mm)



ERT404LV

**Slot Aperture****50W 12V MR16**

ERT404LV=Gloss White Slot Trim

OD: 5" (127mm)

## Accessories

**Filters and Lenses**

The following filters and lenses can be substituted for the cover glass (supplied with the trim) for use with MR16 lamps.

**Color Filters****L112**=Red Gel Filter**L114**=Ultraviolet Dichroic Filter**L120**=Red Dichroic Filter**L121**=Amber Dichroic Filter**L122**=Yellow Dichroic Filter**L123**=Green Dichroic Filter**L124**=Daylight Blue Dichroic Filter**L125**=Blue Dichroic Filter**L127**=Cosmetic (2700°K) Dichroic Filter**L130**=Yellow Gel Filter**L131**=Amber Gel Filter**Optical Lenses**

**L110N**=Diffuse Sand Blasted Lens. Provides an even beam spread from MR16 lamps—especially useful in wall washing.

**L111**=Soft Focus Lens. Smooths irregular beam pattern while maintaining high controlled illumination levels and beam angles.

**L113**=Prismatic Spread Lens. Provides a symmetrical broadening of MR16 lamp beams.

**L115**=Fans the MR16 beam to produce a wide rectangular illumination pattern.

## DESCRIPTION

The ET400LVAT is a small aperture low voltage housing for providing accent and task lighting. This is an AIR-TITE™ housing for use in non-insulated ceilings. If ceiling insulation is present, it must be kept 3" from the fixtures on all sides. For use with MR16 lamps.

Catalog #		Type
Project		
Comments		Date
Prepared by		

## SPECIFICATION FEATURES

### Housing

Die-formed CRS with gray powder coat finish.

### Plaster Frame

- Housing is secured in plaster frame with spring barbs.
- The housing can be adjusted in the plaster frame.
- The housing can be removed from the plaster frame to provide access to the junction box.
- AIR-TITE gasket is pre-installed.

### Junction Box

- Positioned to accommodate straight conduit runs.
- Seven conduit knockouts are uniform 1/2" size with true pryout slots.
- Four pryouts with integral strain relief simplify "NM" non-metallic sheathed cable installation.
- Three quick connect wire connectors included.

### ALL-NAIL™ Bar Hangers

Bar Hanger features include:

- Pre-installed nail.
- Mini leveling foot aligns the housing to the bottom of the joist.
- Housing can be positioned at any point within 24" joist spans
- Score lines allow tool-free shortening for narrow joist spacing.
- Bar hangers may be repositioned 90° on plaster frame
- Integral T-bar clip snaps onto T-bars – no additional clips are required

### Socket

Ceramic socket with reflector for bi-pin 12V, MR16 lamps.

### Transformer

120V Integral magnetic transformer steps line voltage

down to lamp operating voltage.

### Thermal Protector

Thermal protector integrated in the transformer deactivates fixture if overheating occurs due to improper operating condition or misapplied insulation.

### Labels

- UL/cUL Listed 1598 Luminaire
- UL/cUL Listed for Damp Location
- UL/cUL Listed for Feed Through
- UL/cUL Listed for Wet Location, covered ceiling
- IP Rated (Improper Lamp)
- Certified Under ASTM-E283 for air tight construction

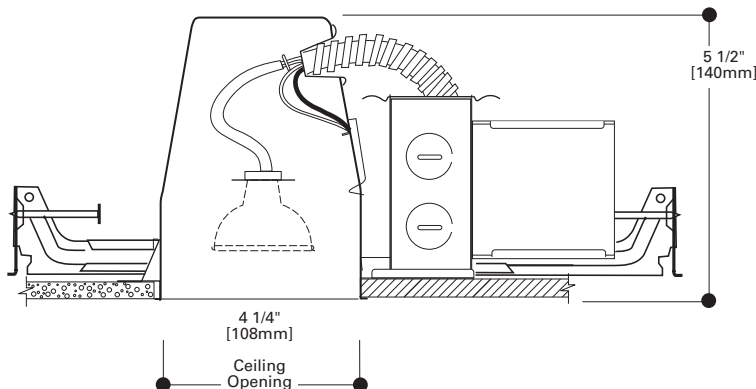


## ET400LVAT

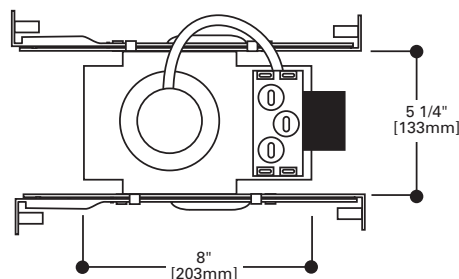
**4" Non Insulated Ceiling Low Voltage AIR-TITE™ Recessed Housing**

4" TRIMS

FOR USE IN NON-INSULATED CEILINGS OR INSULATED CEILINGS BUT INSULATION MUST BE KEPT 3" FROM ALL SIDES OF FIXTURE



### Top View



air-tite™

ALL-PRO  
ALL-NAIL

Quick Connect™

## TRIMS

## ORDERING INFORMATION

SAMPLE NUMBER: ET400LVAT-ERT403LV

Order housing, trim and accessories separately.

## Housing

**ET400LVAT**=4" Non-Insulated  
Ceiling Small  
Aperture Low  
Voltage AIR-TITE  
Housing

## Trims



ERT403LV

**Reflector Cone****50W 12V MR16**

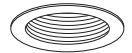
ERT403LV=Specular Clear Reflector,

Gloss White Trim Ring

ERT403LVG=Specular Gold Reflector,

Gloss White Trim Ring

OD: 5" (127mm)



ERT401LV

**Baffle****50W 12V MR16**

ERT401LV=Black Baffle, Gloss White Trim Ring

ERT401LVW=White Baffle with Gloss White Trim Ring

OD: 5" (127mm)



ERT402LV

**Eyeball****50W 12V MR16**

ERT402LV=Gloss White Eyeball, Black Baffle

OD: 5" (127mm)



ERT404LV

**Slot Aperture****50W 12V MR16**

ERT404LV=Gloss White Slot Trim

OD: 5" (127mm)

## Accessories

**Filters and Lenses**

The following filters and lenses can be substituted for the cover glass (supplied with the trim) for use with MR16 lamps.

**Color Filters****L112**=Red Gel Filter**L114**=Ultraviolet Dichroic Filter**L120**=Red Dichroic Filter**L121**=Amber Dichroic Filter**L122**=Yellow Dichroic Filter**L123**=Green Dichroic Filter**L124**=Daylight Blue Dichroic Filter**L125**=Blue Dichroic Filter**L127**=Cosmetic (2700°K) Dichroic Filter**L130**=Yellow Gel Filter**L131**=Amber Gel Filter**Optical Lenses**

**L110N**=Diffuse Sand Blasted Lens. Provides an even beam spread from MR16 lamps—especially useful in wall washing.

**L111**=Soft Focus Lens. Smooths irregular beam pattern while maintaining high controlled illumination levels and beam angles.

**L113**=Prismatic Spread Lens. Provides a symmetrical broadening of MR16 lamp beams.

**L115**=Fans the MR16 beam to produce a wide rectangular illumination pattern.