

# Sealing Fittings

## Explosionproof; Dust-Ignitionproof

UNILETS® for Use with Threaded Rigid Metal Conduit and IMC.

### Applications

- Prevent passage of gases, vapors or flames from one portion of conduit system to another. Restrict any explosion to the sealed off enclosure. Prevent pressure piling within conduit system.
- Required in Class I, Division 1 and 2 locations within 18" of enclosures containing apparatus that may cause arcs, sparks or high temperatures.
- Required in Class I, Division 1 and 2 locations where 2" or larger conduit enters enclosure, fitting housing terminals, splices or taps.
- Required in Class I, Division 1 and 2 locations at the boundary where conduit leaves classified location.
- Required in Class I, Division 1 and 2 locations where two or more enclosures are connected by 36" or less conduit. Seal must be located within 18" of either enclosure.
- Required where cables (which exceed rate of gas or vapor transmission permitted for seals) are used in Class I, Division 2 locations.

### Features

- Explosionproof, dust-ignitionproof, raintight.
- Smooth, rounded integral bushing in each hub protects conductor insulation.
- Accurately tapped, tapered threads for tight, rigid joints and ground continuity.
- Removable nipple in male sealing fitting may be used interchangeably in top or bottom hub.
- EYS—for sealing vertical conduit. Large opening for damming and filling.
- Expanded fill EYSEF/EYDEF— allow up to 40% conduit fill in compliance with the National Electrical Code.
- EYSF/EYSM—for sealing vertical conduit. Large opening for damming and filling.
- ESUF/ESUM for sealing vertical or horizontal conduit. Pouring spout rotates 90°. Removable cover provides full access for damming 2-1/2" thru 4" sizes have threaded cover openings for damming.
- EYF/EYM—close radius type for sealing vertical or horizontal conduit runs.
- EYDM Drain Sealing Fittings—close radius type for sealing vertical conduit runs. Access cover has drain valve for automatic draining of water accumulation above the seal.
- UL Listed for use with Kwiko® A Sealing Compound. Also listed with certain competitors sealing cement, contact factory for details.

### Standard Materials

- EYSF/EYSM, EYF/EYM and EYDM Seals: malleable iron or Almag 35 aluminum
- EYS, EYSEF/EYDEF, and ESUF/ESUM: malleable iron
- EYD and EYS Seals: Grayloy®-iron

### Standard Finishes

- Malleable iron and Grayloy®-iron products have triple-coat — (1) zinc electroplate, (2) chromate, and (3) epoxy powder coat,
- Almag 35 aluminum products have epoxy powder coat

### Certifications and Compliances

- UL Standard: 886 (1203)
- UL Listed: E10444
- CSA Standard: C22.2 No. 30
- CSA Certified: 065181

### Options

- PVC coating available on select sealing fittings. Add suffix **-PVC** to catalog number.

### Related Products

- Kwiko® A sealing cement and fiber filler

### Illustrated Features

Sealing fittings prevent passage of gases, vapors or flames from one portion of a conduit system to another. They also restrict large amounts of ignitable gases or vapors from accumulating to confine explosive pressure.



Appleton sealing fittings are suitable for Class I and II locations. EYS, SF and EYD are for sealing vertical conduit. EY and ESU are for sealing vertical and horizontal conduit. SF and EYD also have drain valves.



# EYD 25% \* Fill Vertical Conduit Drain Sealing Fittings for Close Turning Radius

## Explosionproof, Dust-Ignitionproof, Raintight


UNILETS® for Use with Threaded Rigid Metal Conduit and IMC.

Class I, Division 1 and 2 Groups C, D  
Class II, Division 1 and 2 Groups E, F, G  
Class III


Trade Size (Inches)	Inches/Millimeters			Kwiko® A Cement Required Ounces/Grams	Catalog Number Grayloy™-Iron
	A (Length)	B (Width)	Turning Radius †		

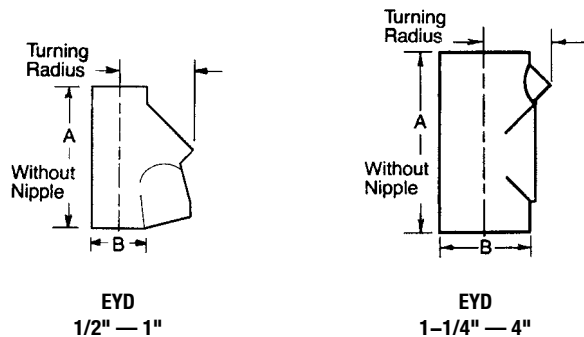
### EYD Vertical Conduit Drain Seals for Close Turning Radius (25% fill)

#### Female

	1/2	3.28/83.3	1.50/38.1	1.06/26.9	1.00/28.0	<b>EYD-1</b>
	3/4	3.69/93.7	1.75/44.4	1.19/30.2	2.00/57.0	<b>EYD-2</b>
	1	4.31/109.4	2.19/55.6	1.38/35.0	4.00/113.0	<b>EYD-3</b>
	1-1/4	5.06/128.5	2.19/55.6	1.75/44.4	9.00/255.0	<b>EYD-4</b>
	1-1/2	5.50/139.7	2.44/61.9	2.06/52.3	12.00/340.0	<b>EYD-5</b>
	2	6.25/158.7	3.00/76.2	2.31/58.9	21.00/595.0	<b>EYD-6</b>
	2-1/2	7.50/190.5	3.50/88.9	2.69/68.8	37.00/1049.0	<b>EYD-7</b>
	3	8.50/215.9	4.25/107.9	3.13/79.5	61.00/1729.0	<b>EYD-8</b>
	3-1/2	9.19/233.4	4.75/120.6	3.44/87.3	80.00/2268.0	<b>EYD-9</b>
	4	9.75/247.6	5.25/133.3	3.69/93.7	112.00/3175.0	<b>EYD-10</b>

#### Male/Female (Removable Male Nipple)

	1/2	3.28/83.3	1.50/38.1	1.06/26.9	1.00/28.0	<b>EYD-16</b>
	3/4	3.69/93.7	1.75/44.4	1.19/30.2	2.00/57.0	<b>EYD-26</b>
	1	4.31/109.4	2.19/55.6	1.38/35.0	4.00/113.0	<b>EYD-36</b>
	1-1/4	5.06/128.5	2.19/55.6	1.75/44.4	9.00/255.0	<b>EYD-46</b>
	1-1/2	5.50/139.7	2.44/61.9	2.06/52.3	12.00/340.0	<b>EYD-56</b>
	2	6.25/158.7	3.00/76.2	2.31/58.9	21.00/595.0	<b>EYD-66</b>
	2-1/2	7.50/190.5	3.50/88.9	2.69/68.8	37.00/1049.0	<b>EYD-76</b>
	3	8.50/215.9	4.25/107.9	3.13/79.5	61.00/1729.0	<b>EYD-86</b>
	3-1/2	9.19/233.4	4.75/120.6	3.44/87.3	80.00/2268.0	<b>EYD-96</b>
	4	9.75/247.6	5.25/133.3	3.69/93.7	112.00/3175.0	<b>EYD-106</b>



\* Per NEC 501.15(C)(6), seals in Class I, Division 1 and 2 must be limited to conductor fill of 25% of cross sectional area of a rigid metal conduit of the same trade size unless approved for higher percentage fill. See 40% fill sealing fittings.





† Turning radius with cover or plug removed.

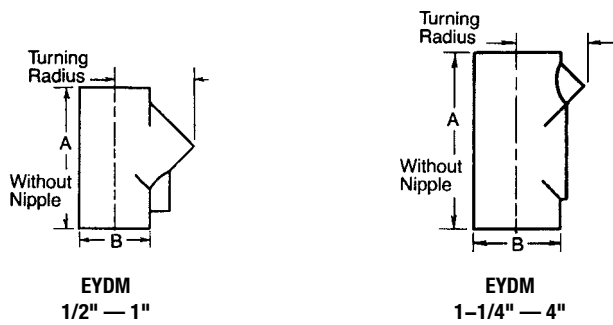
# EYDM 25% \* Fill Vertical Conduit Drain Sealing Fittings for Close Turning Radius

## Explosionproof, Dust-Ignitionproof, Raintight

UNILETS® for Use with Threaded Rigid Metal Conduit and IMC.

Class I, Division 1 and 2 Groups B♦, C, D  
 Class II, Division 1 and 2 Groups E, F, G  
 Class III

	Trade Size (Inches)	Inches/Centimeters			Kwiko® A Cement Required Ounces/Grams	Catalog Number ‡	
		A (Length)	B (Width)	Turning Radius †		Malleable Iron	Almag 35 Aluminum
<b>EYDM Vertical Conduit Drain Seals for Close Turning Radius (25% fill) ‡</b>							
<b>Male/Female (Removable Male Nipple)</b>							
	1/2" — 1"	3.63/9.2	1.38/3.5	1.94/4.9	2.00/56.7	<b>EYDM-50 ♦</b>	<b>EYDM-50AL</b>
	3/4	3.63/9.2	1.38/3.5	1.94/4.9	2.00/56.7	<b>EYDM-75 ♦</b>	<b>EYDM-75AL</b>
	1	4.06/10.3	1.56/4.0	2.06/5.2	3.00/85.1	<b>EYDM-100 ♦</b>	<b>EYDM-100AL</b>
	1-1/4	4.94/12.5	2.00/5.1	1.75/4.5	7.00/198.4	<b>EYDM-125 ♦</b>	<b>EYDM-125AL</b>
	1-1/2	5.50/14.0	2.38/6.0	2.06/5.2	13.00/368.5	<b>EYDM-150 ♦</b>	<b>EYDM-150AL</b>
	2	6.13/15.6	2.88/7.3	2.31/5.9	22.00/623.7	<b>EYDM-200 ♦</b>	<b>EYDM-200AL</b>
	2-1/2	7.50/19.1	3.38/8.6	2.69/6.8	36.00/1020.6	<b>EYDM-250 ♦</b>	<b>EYDM-250AL</b>
	3	8.13/20.6	4.13/10.5	3.13/7.9	61.00/1729.3	<b>EYDM-300 ♦</b>	<b>EYDM-300AL</b>
	3-1/2	8.94/22.7	4.75/12.1	3.44/8.7	89.00/2523.1	<b>EYDM-350 ♦</b>	<b>EYDM-350AL</b>
	4	9.38/23.8	5.13/13.0	3.69/9.4	114.00/3231.8	<b>EYDM-400 ♦</b>	<b>EYDM-400AL</b>



\* Per NEC 501.15(C)(6), seals in Class I, Division 1 and 2 must be limited to conductor fill of 25% of cross sectional area of a rigid metal conduit of the same trade size unless approved for higher percentage fill. See 40% fill sealing fittings.

† Turning radius with cover or plug removed.

‡ PVC coating available on select sealing fittings. Add suffix **-PVC** to catalog number.

♦ Indicated items in the shaded area which are UL Listed for Class I, Groups B, C, D; Class II, Groups E, F, G; and Class III.

# Sealing Fittings

## Explosionproof; Dust-Ignitionproof

UNILETS® for Use with Threaded Rigid Metal Conduit and IMC.

### Applications

- Prevent passage of gases, vapors or flames from one portion of conduit system to another. Restrict any explosion to the sealed off enclosure. Prevent pressure piling within conduit system.
- Required in Class I, Division 1 and 2 locations within 18" of enclosures containing apparatus that may cause arcs, sparks or high temperatures.
- Required in Class I, Division 1 and 2 locations where 2" or larger conduit enters enclosure, fitting housing terminals, splices or taps.
- Required in Class I, Division 1 and 2 locations at the boundary where conduit leaves classified location.
- Required in Class I, Division 1 and 2 locations where two or more enclosures are connected by 36" or less conduit. Seal must be located within 18" of either enclosure.
- Required where cables (which exceed rate of gas or vapor transmission permitted for seals) are used in Class I, Division 2 locations.

### Features

- Explosionproof, dust-ignitionproof, raintight.
- Smooth, rounded integral bushing in each hub protects conductor insulation.
- Accurately tapped, tapered threads for tight, rigid joints and ground continuity.
- Removable nipple in male sealing fitting may be used interchangeably in top or bottom hub.
- EYS—for sealing vertical conduit. Large opening for damming and filling.
- Expanded fill EYSEF/EYDEF— allow up to 40% conduit fill in compliance with the National Electrical Code.
- EYSF/EYSM—for sealing vertical conduit. Large opening for damming and filling.
- ESUF/ESUM for sealing vertical or horizontal conduit. Pouring spout rotates 90°. Removable cover provides full access for damming 2-1/2" thru 4" sizes have threaded cover openings for damming.
- EYF/EYM—close radius type for sealing vertical or horizontal conduit runs.
- EYDM Drain Sealing Fittings—close radius type for sealing vertical conduit runs. Access cover has drain valve for automatic draining of water accumulation above the seal.
- UL Listed for use with Kwiko® A Sealing Compound. Also listed with certain competitors sealing cement, contact factory for details.

### Standard Materials

- EYSF/EYSM, EYF/EYM and EYDM Seals: malleable iron or Almag 35 aluminum
- EYS, EYSEF/EYDEF, and ESUF/ESUM: malleable iron
- EYD and EYS Seals: Grayloy®-iron

### Standard Finishes

- Malleable iron and Grayloy®-iron products have triple-coat — (1) zinc electroplate, (2) chromate, and (3) epoxy powder coat,
- Almag 35 aluminum products have epoxy powder coat

### Certifications and Compliances

- UL Standard: 886 (1203)
- UL Listed: E10444
- CSA Standard: C22.2 No. 30
- CSA Certified: 065181

### Options

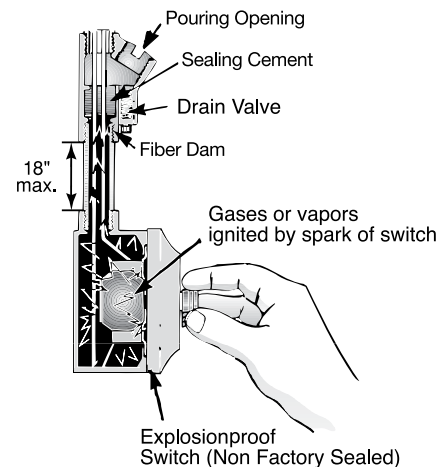
- PVC coating available on select sealing fittings. Add suffix **-PVC** to catalog number.

### Related Products

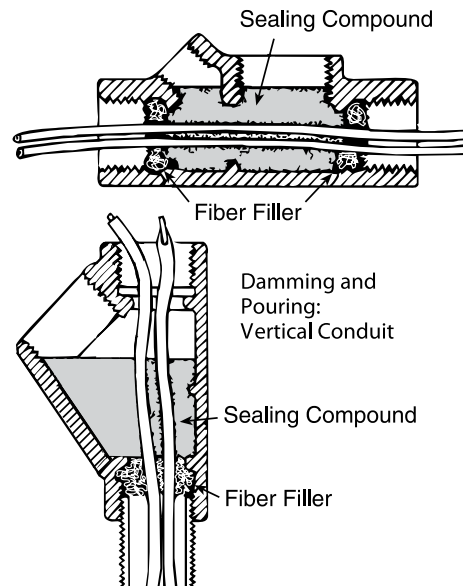
- Kwiko® A sealing cement and fiber filler

### Illustrated Features

Sealing fittings prevent passage of gases, vapors or flames from one portion of a conduit system to another. They also restrict large amounts of ignitable gases or vapors from accumulating to confine explosive pressure.



Appleton sealing fittings are suitable for Class I and II locations. EYS, SF and EYD are for sealing vertical conduit. EY and ESU are for sealing vertical and horizontal conduit. SF and EYD also have drain valves.



# EYD 25% \* Fill Vertical Conduit Drain Sealing Fittings for Close Turning Radius

## Explosionproof, Dust-Ignitionproof, Raintight


UNILETS® for Use with Threaded Rigid Metal Conduit and IMC.

Class I, Division 1 and 2 Groups C, D  
Class II, Division 1 and 2 Groups E, F, G  
Class III


Trade Size (Inches)	Inches/Millimeters		Turning Radius †	Kwiko® A Cement Required Ounces/Grams	Catalog Number Grayloy™-Iron
	A (Length)	B (Width)			

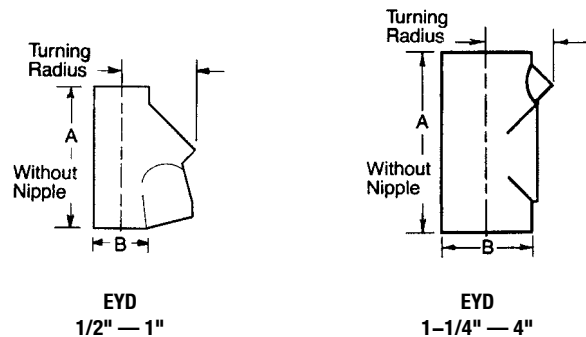
### EYD Vertical Conduit Drain Seals for Close Turning Radius (25% fill)

#### Female

	1/2	3.28/83.3	1.50/38.1	1.06/26.9	1.00/28.0	<b>EYD-1</b>
	3/4	3.69/93.7	1.75/44.4	1.19/30.2	2.00/57.0	<b>EYD-2</b>
	1	4.31/109.4	2.19/55.6	1.38/35.0	4.00/113.0	<b>EYD-3</b>
	1-1/4	5.06/128.5	2.19/55.6	1.75/44.4	9.00/255.0	<b>EYD-4</b>
	1-1/2	5.50/139.7	2.44/61.9	2.06/52.3	12.00/340.0	<b>EYD-5</b>
	2	6.25/158.7	3.00/76.2	2.31/58.9	21.00/595.0	<b>EYD-6</b>
	2-1/2	7.50/190.5	3.50/88.9	2.69/68.8	37.00/1049.0	<b>EYD-7</b>
	3	8.50/215.9	4.25/107.9	3.13/79.5	61.00/1729.0	<b>EYD-8</b>
	3-1/2	9.19/233.4	4.75/120.6	3.44/87.3	80.00/2268.0	<b>EYD-9</b>
	4	9.75/247.6	5.25/133.3	3.69/93.7	112.00/3175.0	<b>EYD-10</b>

#### Male/Female (Removable Male Nipple)

	1/2	3.28/83.3	1.50/38.1	1.06/26.9	1.00/28.0	<b>EYD-16</b>
	3/4	3.69/93.7	1.75/44.4	1.19/30.2	2.00/57.0	<b>EYD-26</b>
	1	4.31/109.4	2.19/55.6	1.38/35.0	4.00/113.0	<b>EYD-36</b>
	1-1/4	5.06/128.5	2.19/55.6	1.75/44.4	9.00/255.0	<b>EYD-46</b>
	1-1/2	5.50/139.7	2.44/61.9	2.06/52.3	12.00/340.0	<b>EYD-56</b>
	2	6.25/158.7	3.00/76.2	2.31/58.9	21.00/595.0	<b>EYD-66</b>
	2-1/2	7.50/190.5	3.50/88.9	2.69/68.8	37.00/1049.0	<b>EYD-76</b>
	3	8.50/215.9	4.25/107.9	3.13/79.5	61.00/1729.0	<b>EYD-86</b>
	3-1/2	9.19/233.4	4.75/120.6	3.44/87.3	80.00/2268.0	<b>EYD-96</b>
	4	9.75/247.6	5.25/133.3	3.69/93.7	112.00/3175.0	<b>EYD-106</b>



\* Per NEC 501.15(C)(6), seals in Class I, Division 1 and 2 must be limited to conductor fill of 25% of cross sectional area of a rigid metal conduit of the same trade size unless approved for higher percentage fill. See 40% fill sealing fittings.





† Turning radius with cover or plug removed.

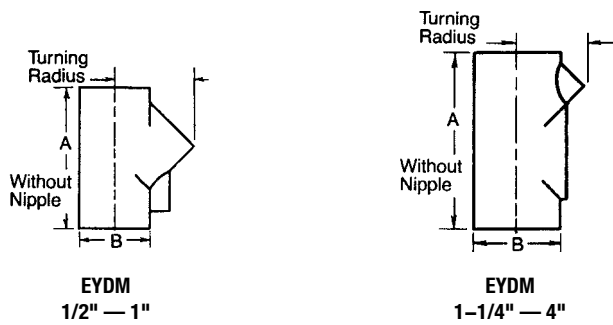
# EYDM 25% \* Fill Vertical Conduit Drain Sealing Fittings for Close Turning Radius

## Explosionproof, Dust-Ignitionproof, Raintight

UNILETS® for Use with Threaded Rigid Metal Conduit and IMC.

Class I, Division 1 and 2 Groups B♦, C, D  
 Class II, Division 1 and 2 Groups E, F, G  
 Class III

	Trade Size (Inches)	Inches/Centimeters			Kwiko® A Cement Required Ounces/Grams	Catalog Number ‡	
		A (Length)	B (Width)	Turning Radius †		Malleable Iron	Almag 35 Aluminum
<b>EYDM Vertical Conduit Drain Seals for Close Turning Radius (25% fill) ‡</b>							
<b>Male/Female (Removable Male Nipple)</b>							
	1/2" — 1"	3.63/9.2	1.38/3.5	1.94/4.9	2.00/56.7	<b>EYDM-50 ♦</b>	<b>EYDM-50AL</b>
	3/4	3.63/9.2	1.38/3.5	1.94/4.9	2.00/56.7	<b>EYDM-75 ♦</b>	<b>EYDM-75AL</b>
	1	4.06/10.3	1.56/4.0	2.06/5.2	3.00/85.1	<b>EYDM-100 ♦</b>	<b>EYDM-100AL</b>
	1-1/4	4.94/12.5	2.00/5.1	1.75/4.5	7.00/198.4	<b>EYDM-125 ♦</b>	<b>EYDM-125AL</b>
	1-1/2	5.50/14.0	2.38/6.0	2.06/5.2	13.00/368.5	<b>EYDM-150 ♦</b>	<b>EYDM-150AL</b>
	2	6.13/15.6	2.88/7.3	2.31/5.9	22.00/623.7	<b>EYDM-200 ♦</b>	<b>EYDM-200AL</b>
	2-1/2	7.50/19.1	3.38/8.6	2.69/6.8	36.00/1020.6	<b>EYDM-250 ♦</b>	<b>EYDM-250AL</b>
	3	8.13/20.6	4.13/10.5	3.13/7.9	61.00/1729.3	<b>EYDM-300 ♦</b>	<b>EYDM-300AL</b>
	3-1/2	8.94/22.7	4.75/12.1	3.44/8.7	89.00/2523.1	<b>EYDM-350 ♦</b>	<b>EYDM-350AL</b>
	4	9.38/23.8	5.13/13.0	3.69/9.4	114.00/3231.8	<b>EYDM-400 ♦</b>	<b>EYDM-400AL</b>



\* Per NEC 501.15(C)(6), seals in Class I, Division 1 and 2 must be limited to conductor fill of 25% of cross sectional area of a rigid metal conduit of the same trade size unless approved for higher percentage fill. See 40% fill sealing fittings.

† Turning radius with cover or plug removed.

‡ PVC coating available on select sealing fittings. Add suffix **-PVC** to catalog number.

♦ Indicated items in the shaded area which are UL Listed for Class I, Groups B, C, D; Class II, Groups E, F, G; and Class III.