

# Cam-Lok<sup>®</sup> E-Z Series



All Cam-Lok part numbers available in convenient, single-use, color-coded packaging.  
See page 75 for details.

MALE PLUG					
	COLOR	CABLE SIZE	COMPLETE PART NO.	CONTACT ONLY PART NO.	INSULATOR ONLY PART NO.
DOUBLE-SET SCREW	BLACK	#2/0-4/0	E-Z1016-8362	A200639-1	E-Z200074-60
	RED		E-Z1016-8364	A200639-1	E-Z200074-62
	GREEN		E-Z1016-8366	A200639-1	E-Z200074-64
	WHITE		E-Z1016-8367	A200639-1	E-Z200074-65
	BLUE		E-Z1016-8368	A200639-1	E-Z200074-66
	BROWN		E-Z1016-8369	A200639-1	E-Z200074-67
	ORANGE		E-Z1016-8365	A200639-1	E-Z200074-63
	YELLOW		E-Z1016-8363	A200639-1	E-Z200074-61

FEMALE PLUG					
	COLOR	CABLE SIZE	COMPLETE PART NO.	CONTACT ONLY PART NO.	INSULATOR ONLY PART NO.
DOUBLE-SET SCREW	BLACK	#2/0-4/0	E-Z1016-8387	A200641-1	E-Z200075-60
	RED		E-Z1016-8389	A200641-1	E-Z200075-62
	GREEN		E-Z1016-8391	A200641-1	E-Z200075-64
	WHITE		E-Z1016-8392	A200641-1	E-Z200075-65
	BLUE		E-Z1016-8393	A200641-1	E-Z200075-66
	BROWN		E-Z1016-8394	A200641-1	E-Z200075-67
	ORANGE		E-Z1016-8390	A200641-1	E-Z200075-63
	YELLOW		E-Z1016-8388	A200641-1	E-Z200075-61

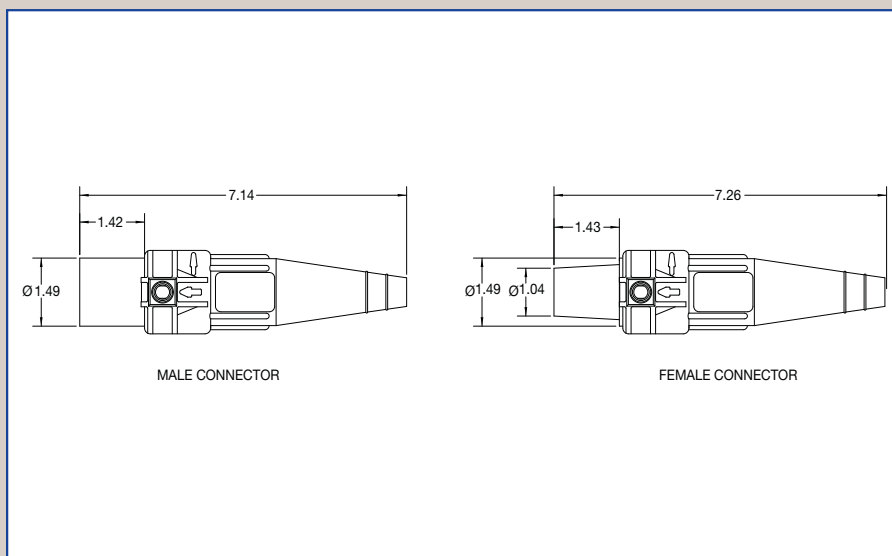


E-Z1016-8368



E-Z1016-8389

E-Z1016 Series



**CAM-LOK "J" POWER SERIES**  
RECEPTACLES AND PLUGS PROVIDE THE MEANS TO QUICKLY CONNECT AND DISCONNECT POWER SYSTEMS SAFELY AT CONCERTS AND CARNIVALS AS WELL AS CONNECTING GENERATORS, STANDBY POWER, AND LOAD TESTING IN HOSPITALS, UTILITIES AND HEAVY INDUSTRIAL ENVIRONMENTS.

**RATINGS: 600 VOLTS UP TO 400 AMPERES CONTINUOUS**

**STANDARD MATERIALS**  
CABLE SIZE: 2/0 - 4/0  
CONNECTOR BODY: TPE  
CONTACT: BRASS

**AGENCY APPROVALS**  
UL LISTED E67181  
CSA CERTIFIED LR13963

**ENVIRONMENTAL RATING: NEMA 3R, 4**

# Single Pole Connectors



THE INDUSTRY STANDARD

Cooper Interconnect has bundled the Cam-Lok products into convenient, single use sizes, ensuring complete components that are easy to identify.

- Header cards are color-coded by series, making it easy to identify mating plugs and receptacles.
- Package labels are bar-coded to assist inventory tracking.
- Part number configuration is made easy by adding a “K” suffix to the current series of part numbers (for example: E1016-8350K).

Contact your distributor for easy pickup.



# Cam-Lok® E-Z Series



All Cam-Lok part numbers available in convenient, single-use, color-coded packaging.  
See page 75 for details.

MALE PLUG					
	COLOR	CABLE SIZE	COMPLETE PART NO.	CONTACT ONLY PART NO.	INSULATOR ONLY PART NO.
DOUBLE-SET SCREW	BLACK	#2/0-4/0	E-Z1016-8362	A200639-1	E-Z200074-60
	RED		E-Z1016-8364	A200639-1	E-Z200074-62
	GREEN		E-Z1016-8366	A200639-1	E-Z200074-64
	WHITE		E-Z1016-8367	A200639-1	E-Z200074-65
	BLUE		E-Z1016-8368	A200639-1	E-Z200074-66
	BROWN		E-Z1016-8369	A200639-1	E-Z200074-67
	ORANGE		E-Z1016-8365	A200639-1	E-Z200074-63
	YELLOW		E-Z1016-8363	A200639-1	E-Z200074-61

FEMALE PLUG					
	COLOR	CABLE SIZE	COMPLETE PART NO.	CONTACT ONLY PART NO.	INSULATOR ONLY PART NO.
DOUBLE-SET SCREW	BLACK	#2/0-4/0	E-Z1016-8387	A200641-1	E-Z200075-60
	RED		E-Z1016-8389	A200641-1	E-Z200075-62
	GREEN		E-Z1016-8391	A200641-1	E-Z200075-64
	WHITE		E-Z1016-8392	A200641-1	E-Z200075-65
	BLUE		E-Z1016-8393	A200641-1	E-Z200075-66
	BROWN		E-Z1016-8394	A200641-1	E-Z200075-67
	ORANGE		E-Z1016-8390	A200641-1	E-Z200075-63
	YELLOW		E-Z1016-8388	A200641-1	E-Z200075-61

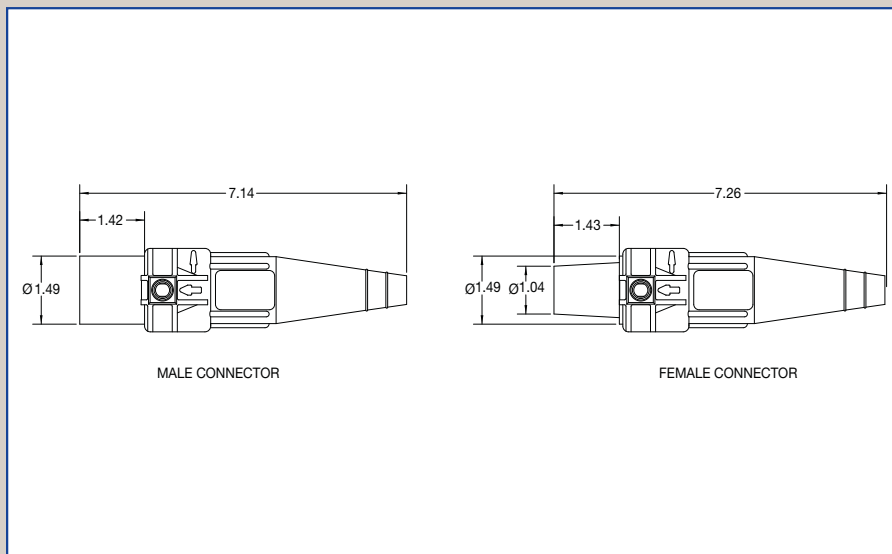


E-Z1016-8368



E-Z1016-8389

E-Z1016 Series



**CAM-LOK "J" POWER SERIES**  
RECEPTACLES AND PLUGS PROVIDE THE MEANS TO QUICKLY CONNECT AND DISCONNECT POWER SYSTEMS SAFELY AT CONCERTS AND CARNIVALS AS WELL AS CONNECTING GENERATORS, STANDBY POWER, AND LOAD TESTING IN HOSPITALS, UTILITIES AND HEAVY INDUSTRIAL ENVIRONMENTS.

**RATINGS: 600 VOLTS UP TO 400 AMPERES CONTINUOUS**

**STANDARD MATERIALS**  
CABLE SIZE: 2/0 - 4/0  
CONNECTOR BODY: TPE  
CONTACT: BRASS

**AGENCY APPROVALS**  
UL LISTED E67181  
CSA CERTIFIED LR13963

**ENVIRONMENTAL RATING: NEMA 3R, 4**

# Single Pole Connectors



THE INDUSTRY STANDARD

Cooper Interconnect has bundled the Cam-Lok products into convenient, single use sizes, ensuring complete components that are easy to identify.

- Header cards are color-coded by series, making it easy to identify mating plugs and receptacles.
- Package labels are bar-coded to assist inventory tracking.
- Part number configuration is made easy by adding a “K” suffix to the current series of part numbers (for example: E1016-8350K).

Contact your distributor for easy pickup.

