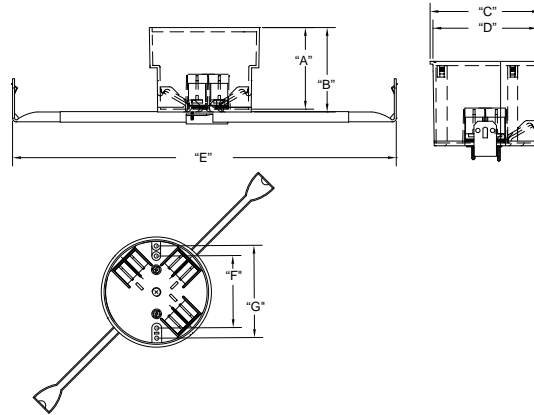


EZ Box® Nonmetallic Ceiling Boxes with Bar Hanger

- Enhanced angled nails for quick mounting between studs.
- Six clamps
- 2 hour fire rated
- Maximum fixture weight = 50 pounds
- Not for installation of ceiling fan



20 Cubic Inch

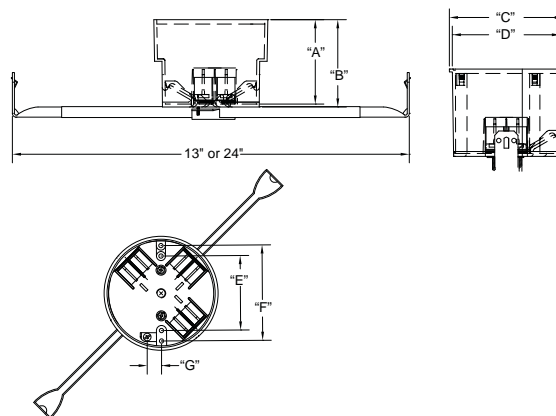


Part Number	Carton Quantity	"A"	"B"	"C"	"D"	"E"	"F"	"G"
EZ20CH	75	2.230	2.300	3.500	2.260	14 to 23	2.750	3.500

Dimensions are nominal

EZ Box® Nonmetallic Ceiling Boxes with Bar Hanger and Ground Lug

- Enhanced angled nails for quick mounting between studs.
- Six clamps
- 2 hour fire rated
- Maximum fixture weight = 50 pounds
- Not for installation of ceiling fan



20 Cubic Inch

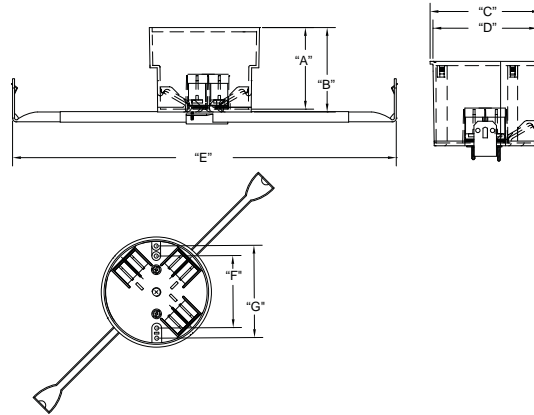


Part Number	Carton Quantity	"A"	"B"	"C"	"D"	"E"	"F"	"G"
EZ20CHG	75	2.230	2.300	3.500	2.260	2.750	3.500	.440

Dimensions are nominal

EZ Box® Nonmetallic Ceiling Boxes with Bar Hanger

- Enhanced angled nails for quick mounting between studs.
- Six clamps
- 2 hour fire rated
- Maximum fixture weight = 50 pounds
- Not for installation of ceiling fan



20 Cubic Inch

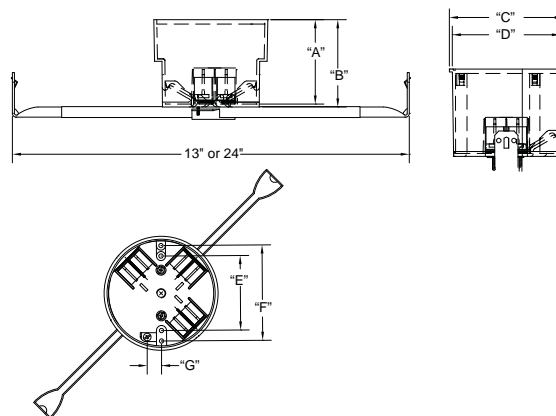


Part Number	Carton Quantity	"A"	"B"	"C"	"D"	"E"	"F"	"G"
EZ20CH	75	2.230	2.300	3.500	2.260	14 to 23	2.750	3.500

Dimensions are nominal

EZ Box® Nonmetallic Ceiling Boxes with Bar Hanger and Ground Lug

- Enhanced angled nails for quick mounting between studs.
- Six clamps
- 2 hour fire rated
- Maximum fixture weight = 50 pounds
- Not for installation of ceiling fan



20 Cubic Inch



Part Number	Carton Quantity	"A"	"B"	"C"	"D"	"E"	"F"	"G"
EZ20CHG	75	2.230	2.300	3.500	2.260	2.750	3.500	.440

Dimensions are nominal