

FACADE FLOOD SERIES

Cat. #		Approvals
Job	Type	

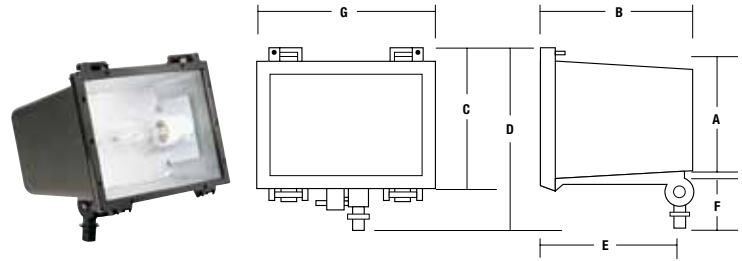


APPLICATIONS

- Building facades, landscape lighting, sign lighting, display, as well as general safety and security lighting

SPECIFICATIONS

- Durable die cast aluminum housing construction
- Polycarbonate door frame retains tempered glass and has twin tool-free latches for easy servicing. Gasketing provides weather-tight seal to housing
- Rugged 1/2" threaded knuckle mounting (1/2-10 NPSM)
- Wide uniform beam designed for close set backs. Lamp included
- HPS – reactor NPF ballastry 120V
Metal halide – HX-HPF -20°F starting
Compact fluorescent – electronic ballast 50/60 Hz 120-277V
- Bronze powder paint finish



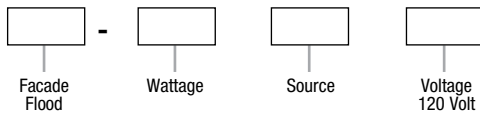
A	B	C	D	E	F	G
4 ⁹ / ₁₆ "	6 ⁷ / ₈ "	7 ⁷ / ₁₆ "	8 ¹ / ₁₆ "	6 ¹ / ₁₆ "	2"	9"
116 mm	175 mm	189 mm	205 mm	154 mm	51 mm	229 mm

LISTINGS

- Listed to UL1598 for use in wet locations

ORDERING INFORMATION

ORDERING EXAMPLE: F-100H1



Catalog Number	Lamp Type/Wattage	NEMA Beam Type1 H° x V°	Voltage	Weight lbs. (kg)	EPA ft² (m²)	Ballast Type
High Pressure Sodium						
F-070S1	70	6H x 7V	120	7 (3.2)	.6 (0.1)	RX
F-150S1	150	6(127°) x 7(146°)	120	8 (3.6)	.6 (0.1)	RX
Pulse Start Metal Halide						
F-050H1	50	6H x 7V	120	8 (3.6)	.6 (0.1)	CWA
F-070H1	70	6H x 7V	Quad-Tap®	9 (4.1)	.6 (0.1)	CWA
F-100H1	100	6(128°) x 7(146°)	Quad-Tap®	10 (4.5)	.6 (0.1)	CWA
Compact Fluorescent						
F-042F8†	42	6H x 7V	Quad-Tap®	5 (2.3)	.6 (0.1)	ELECTRONIC

Note: All HPS units are NPF; Pulse Start Metal Halide units are all HPF
 Note: Medium base lamps included
 † CFL lamp is 3500K

ACCESSORIES - Order Separately

Catalog Number	Description
PBT-1	Photocontrol, button type, 120V
NMBC	Non-metallic, high-impact phenolic weatherproof box and cover; Box is drilled at 180° for two burial cable connectors which are included allowing feed-through capability; gasketed cover has weathertight 1/2" hub; Brass cover screws
S-302-M51	Pole-top slipfitter for 1/2" knuckle, slipfits 2 3/8" OD pipe, bronze finish
S-329-B	Cast round box with (4) 1/2" side hubs and (1) 1/2" back hub - cover included with 1/2" hub for fixture knuckle; natural aluminum finish
1031-3	Spike with splice box and 6 ft. cordset, portable; gray finish

REPLACEMENT PARTS

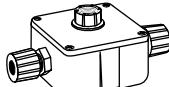
Catalog Number	Description
FL214-FRAMEGLASS	Lens door assembly
FL214-GASKET	Door gasket
FL214-KNUCKLE	Bronze 1/2" knuckle



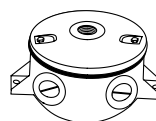
S-302-M51



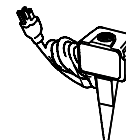
PBT-1



NMBC

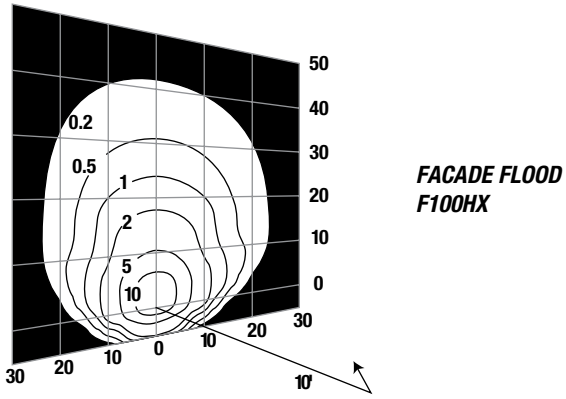


S-329-B



1031-1

PHOTOMETRICS For additional photometric information and IES downloads, visit our web site at www.hubbell-ltg.com



PHOTOMETRIC REPORTS

Catalog Number	Report #
F100H1	HP07474.IES
F150S1	HP07475.IES

Due to our continued efforts to improve our products, product specifications are subject to change without notice.



Outdoor Lighting

Hubbell Outdoor Lighting • 701 Millennium Boulevard • Greenville, SC 29607 • PHONE: 864-678-1000
For more information visit our web site: www.hubbelloutdoor.com

FACADE FLOOD SERIES

Cat. #		Approvals
Job	Type	

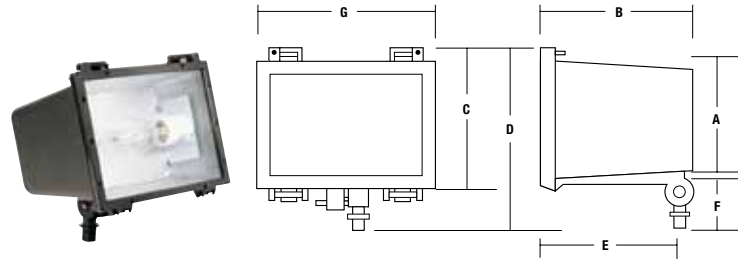


APPLICATIONS

- Building facades, landscape lighting, sign lighting, display, as well as general safety and security lighting

SPECIFICATIONS

- Durable die cast aluminum housing construction
- Polycarbonate door frame retains tempered glass and has twin tool-free latches for easy servicing. Gasketing provides weather-tight seal to housing
- Rugged 1/2" threaded knuckle mounting (1/2-10 NPSM)
- Wide uniform beam designed for close set backs. Lamp included
- HPS – reactor NPF ballastry 120V
Metal halide – HX-HPF -20°F starting
Compact fluorescent – electronic ballast 50/60 Hz 120-277V
- Bronze powder paint finish



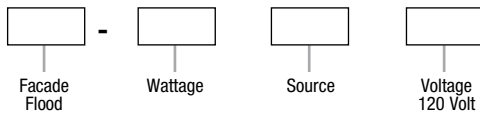
A	B	C	D	E	F	G
4 ⁹ / ₁₆ "	6 ⁷ / ₈ "	7 ⁷ / ₁₆ "	8 ¹ / ₁₆ "	6 ¹ / ₁₆ "	2"	9"
116 mm	175 mm	189 mm	205 mm	154 mm	51 mm	229 mm

LISTINGS

- Listed to UL1598 for use in wet locations

ORDERING INFORMATION

ORDERING EXAMPLE: F-100H1



Catalog Number	Lamp Type/Wattage	NEMA Beam Type1 H° x V°	Voltage	Weight lbs. (kg)	EPA ft² (m²)	Ballast Type
High Pressure Sodium						
F-070S1	70	6H x 7V	120	7 (3.2)	.6 (0.1)	RX
F-150S1	150	6(127°) x 7(146°)	120	8 (3.6)	.6 (0.1)	RX
Pulse Start Metal Halide						
F-050H1	50	6H x 7V	120	8 (3.6)	.6 (0.1)	CWA
F-070H1	70	6H x 7V	Quad-Tap®	9 (4.1)	.6 (0.1)	CWA
F-100H1	100	6(128°) x 7(146°)	Quad-Tap®	10 (4.5)	.6 (0.1)	CWA
Compact Fluorescent						
F-042F8†	42	6H x 7V	Quad-Tap®	5 (2.3)	.6 (0.1)	ELECTRONIC

Note: All HPS units are NPF; Pulse Start Metal Halide units are all HPF
 Note: Medium base lamps included
 † CFL lamp is 3500K

ACCESSORIES - Order Separately

Catalog Number	Description
PBT-1	Photocontrol, button type, 120V
NMBC	Non-metallic, high-impact phenolic weatherproof box and cover; Box is drilled at 180° for two burial cable connectors which are included allowing feed-through capability; gasketed cover has weathertight 1/2" hub; Brass cover screws
S-302-M51	Pole-top slipfitter for 1/2" knuckle, slipfits 2 3/8" OD pipe, bronze finish
S-329-B	Cast round box with (4) 1/2" side hubs and (1) 1/2" back hub - cover included with 1/2" hub for fixture knuckle; natural aluminum finish
1031-3	Spike with splice box and 6 ft. cordset, portable; gray finish

REPLACEMENT PARTS

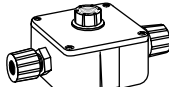
Catalog Number	Description
FL214-FRAMEGLASS	Lens door assembly
FL214-GASKET	Door gasket
FL214-KNUCKLE	Bronze 1/2" knuckle



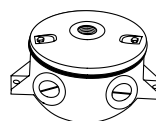
S-302-M51



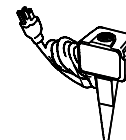
PBT-1



NMBC

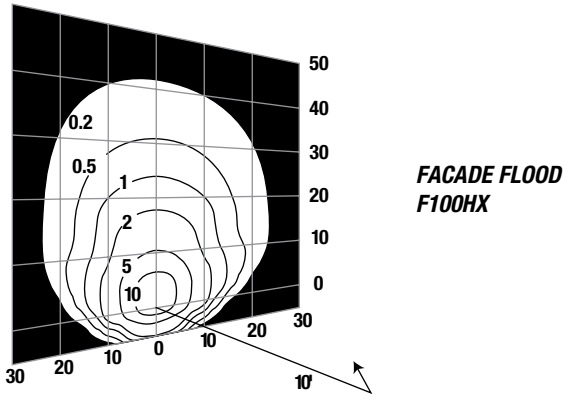


S-329-B



1031-1

PHOTOMETRICS For additional photometric information and IES downloads, visit our web site at www.hubbell-ltg.com



PHOTOMETRIC REPORTS

Catalog Number	Report #
F100H1	HP07474.IES
F150S1	HP07475.IES

Due to our continued efforts to improve our products, product specifications are subject to change without notice.



Outdoor Lighting

Hubbell Outdoor Lighting • 701 Millennium Boulevard • Greenville, SC 29607 • PHONE: 864-678-1000
For more information visit our web site: www.hubbelloutdoor.com