

Facade Flood Instructions

Important: Read before installing

Installed Location(s): _____

Lamp Code(s): _____

Installed by: _____ Date: _____

General: Read all warnings and information on carton(s) and product(s). This luminaire is suitable for wet locations in ambience of 25 degrees C max. These instructions do not attempt to cover all installation and maintenance situations. If additional information is required, contact your nearest Hubbell representative for assistance.

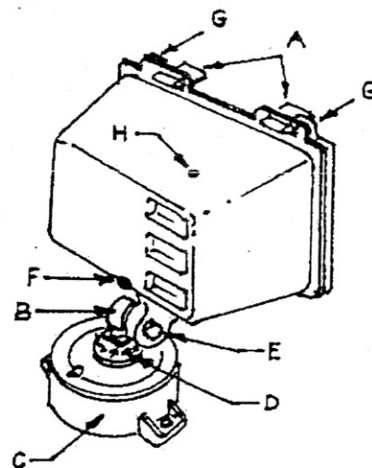
Warning: Improperly installed fixtures can cause shock, electrocution and fire hazards. Install and maintain with qualified personnel to meet all applicable Codes and Ordinances. Turn **power OFF** prior to installation or performing any maintenance. Ground properly and use appropriate wire connectors. Input voltage must range between 114 - 126 VAC, 60Hz. Follow lamp and other equipment manufacturers' instructions. Installing electricians are responsible for evaluating local conditions and ensuring safe operation.

General Installation Information:

1. Use weatherproof J-box (by others) for wet locations. Use a weatherproof pipe joint compound (by others) for all wire entries and plugged entries. Allow a minimum of 6" (152mm) of supply wire to extend outside of J-box.
2. Knuckle threads are 1/2 - 14 NPS.
3. HID lamps normally take 2 to 5 minutes to reach full brightness. For Metal Halide units, a $\pm 5\%$ line voltage variation is needed to minimize lamp color shift.
4. If you ordered accessories, review *Field Installed Accessories* now.

Installation: Turn power OFF.

1. Depress Door Latches (A) and open door.
2. Un-package lamp and screw lamp tightly into socket.
3. Close door and **push** Door Latches into **locked position**.
4. Insert fixture wires through J-box cover and thread cover onto Knuckle (B).
5. Make wire connections: Neutral to White; Hot to Black; Ground to Green and secure cover/fixture assembly to J-Box (C).
6. Aiming: Rotate the fixture to desired direction and tighten the Locknut (D) against the J-box cover. Loosen the Adjustment Bolt (E) on the knuckle, pivot the fixture to the desired angle and re-tighten the adjustment bolt.
7. If you aim the fixture up, remove the stainless steel Drain Hole Screw (F) located above the knuckle on the back.

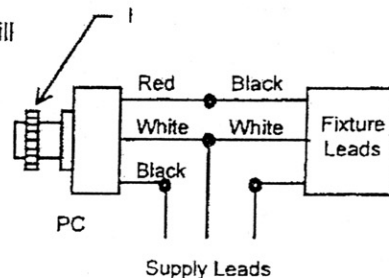


Field Installed Accessories:

Tamper Proof Screws (NRG-4-TR): 5/32" drill bit required. With the door closed, drill 5/32 inch holes through the door and housing at the two Drill Spots (G). Use the enclosed TX20 torx driver bit and install the self-tapping screws.

Button Photocontrol (PBT-1): 11/16" drill bit required. Depress Door Latches (A), open door and remove the two reflector screws and reflector. Drill a 11/16 inch hole in the top of the housing at the PC Drill Spot (H) located on the top outside surface, deburr and remove all drill shavings from the housing. Wire photocontrol per diagram, remove Locknut (I) and insert control through hole and secure with locknut. Re-assemble reflector and follow *Installation* steps 2 through 7.

Miscellaneous: F-100H1 has a dual tap ballast wired for 120V. For 277V, remove the two reflector screws and reflector and replace the 120V ballast lead with the 277V lead.



Maintenance: Clean and service only if the power is OFF and the fixture is cool.

Reflector and lens should be cleaned on schedule based on local conditions. Luminaire efficiency will be retained only if properly maintained. Clean with a mild solution of soap or detergent.



Hubbell Lighting, Inc., A Subsidiary of Hubbell Inc.
2000 Electric Way, Christiansburg, VA 24073-2500
Tel: 540-382-6111 FAX: 540-382-1526

268-1140-9901
Printed in U.S.A.