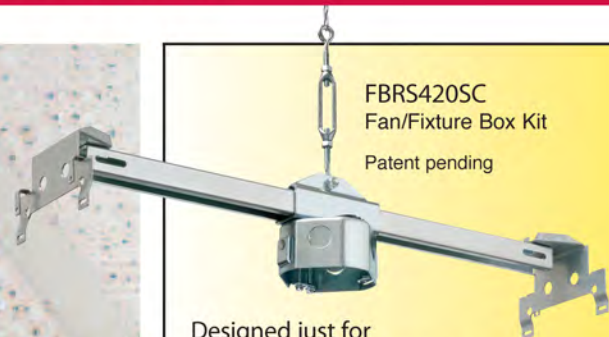


NEW!  
See  
reverse

# Fan/Fixture Box Kit for Suspended Ceilings

Lower Installed Cost • Heavy-duty Plated Steel



FBR5420SC  
Fan/Fixture Box Kit  
Patent pending

Designed just for mounting a fan or fixture on a suspended ceiling grid, Arlington's FBR5420SC fan/fixture box kit saves money, and 30 minutes of installation time!

The box/bracket assembly ships with box mounted firmly on-center. There's no need to adjust the box or bracket if the box is installed in the center of a ceiling grid.

There are no parts to lose! FBR5420SC ships fully assembled. Installation screws ship parked in place.

- 2" deep, 20.0 cubic inch box
- Meets new UL standards
- UL rating: 70 lb fan or fixture  
CSA: Acceptable for fan support



## Arlington

1 Stauffer Industrial Park  
Scranton, PA 18517

**800/233.4717**

**Fax 570/562.0646**

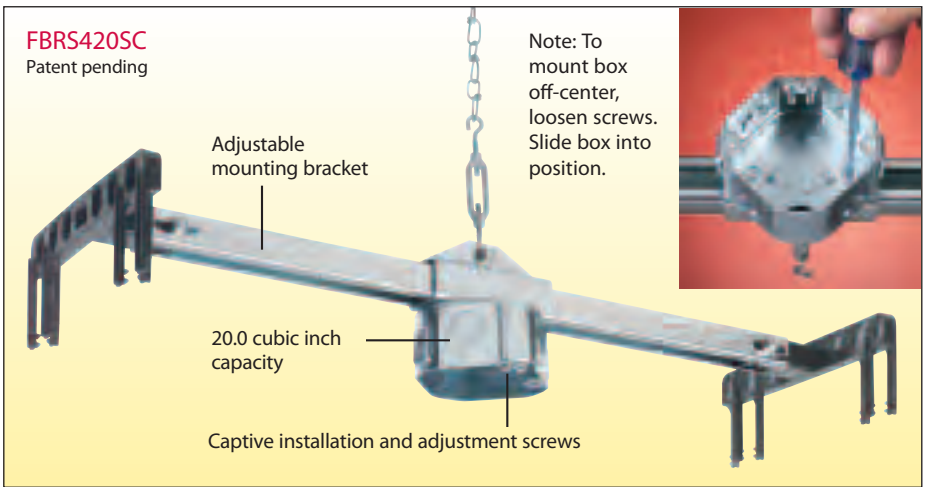
[www.aifittings.com](http://www.aifittings.com)

Catalog Number	UPC/DEI/NAED Mfg. #018997	Description	Box	Unit Pkg	Std Pkg
FBR5420SC	75300	Fan/Fixture Box Kit for Suspended Ceiling	2" deep 20.0 cubic in.	1	5

Kit includes box/bracket assembly with turnbuckle, 12' heavy-duty chain, and (2) "5" hooks.

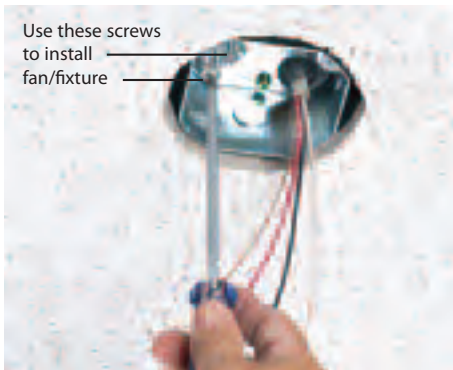
# Fan/Fixture Box Kit for Suspended Ceilings

**Ships Fully Assembled • Fully Adjustable Mounting Bracket**



Kit includes box/bracket assembly with turnbuckle, 12' heavy-duty chain, and (2) "S" hooks.

1 Cut a 4-1/16" diameter hole in the center of a 24" ceiling tile.



2 Place box over hole. Snap plastic ends of support bar over the ceiling grid (tees).

3 Use the "S" hooks provided to attach chain to turnbuckle, and chain to the overhead support. Use turnbuckle to apply tension to the chain, so it supports the weight of fan.

4 Remove captive screws (shown above). Use them to install the fan or fixture per manufacturer's specifications, NEC and all local electrical codes.



Cable pulled through installed NM cable connector.



**Arlington**  
 1 Stauffer Industrial Park  
 Scranton, PA 18517  
**800/233.4717**  
**Fax 570/562.0646**  
 www.aifittings.com

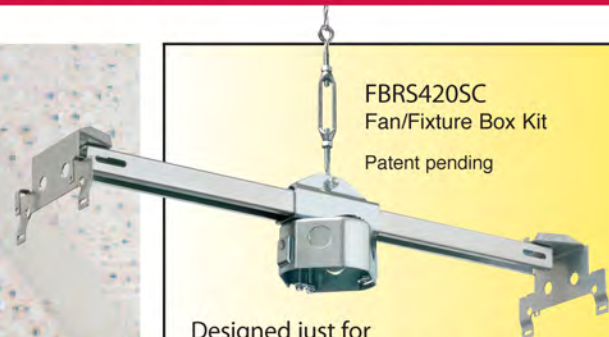
FBRS420SC 306/50M

Distributed by

NEW!  
See  
reverse

# Fan/Fixture Box Kit for Suspended Ceilings

Lower Installed Cost • Heavy-duty Plated Steel



FBR5420SC  
Fan/Fixture Box Kit  
Patent pending

Designed just for mounting a fan or fixture on a suspended ceiling grid, Arlington's FBR5420SC fan/fixture box kit saves money, and 30 minutes of installation time!

The box/bracket assembly ships with box mounted firmly on-center. There's no need to adjust the box or bracket if the box is installed in the center of a ceiling grid.

There are no parts to lose! FBR5420SC ships fully assembled. Installation screws ship parked in place.

- 2" deep, 20.0 cubic inch box
- Meets new UL standards
- UL rating: 70 lb fan or fixture  
CSA: Acceptable for fan support



## Arlington

1 Stauffer Industrial Park  
Scranton, PA 18517

**800/233.4717**

**Fax 570/562.0646**

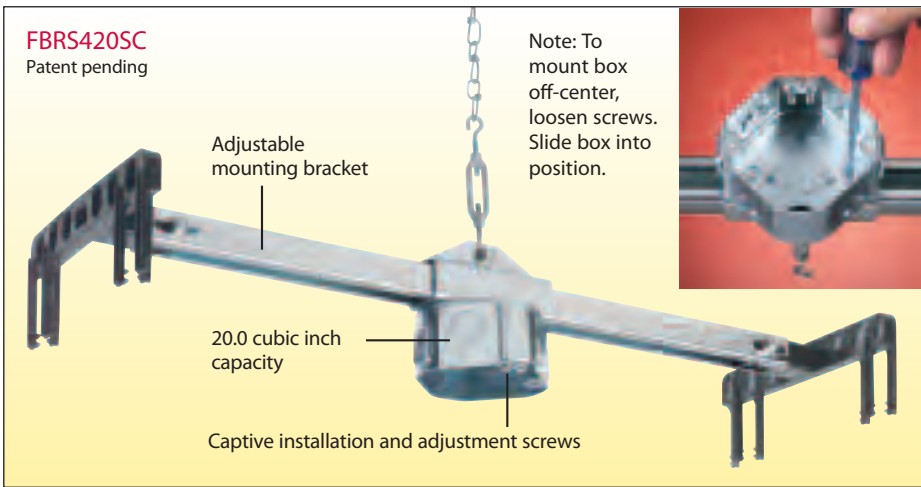
[www.aifittings.com](http://www.aifittings.com)

Catalog Number	UPC/DEI/NAED Mfg. #018997	Description	Box	Unit Pkg	Std Pkg
FBR5420SC	75300	Fan/Fixture Box Kit for Suspended Ceiling	2" deep 20.0 cubic in.	1	5

Kit includes box/bracket assembly with turnbuckle, 12' heavy-duty chain, and (2) "5" hooks.

# Fan/Fixture Box Kit for Suspended Ceilings

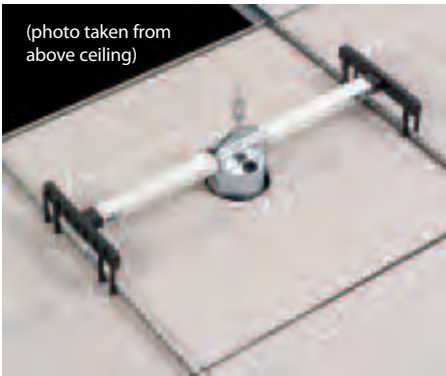
**Ships Fully Assembled • Fully Adjustable Mounting Bracket**



Kit includes box/bracket assembly with turnbuckle, 12' heavy-duty chain, and (2) "S" hooks.



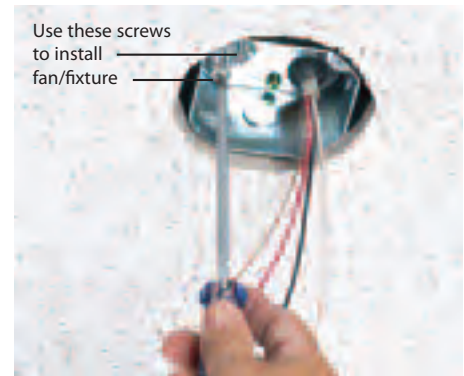
1 Cut a 4-1/16" diameter hole in the center of a 24" ceiling tile.



2 Place box over hole. Snap plastic ends of support bar over the ceiling grid (tees).



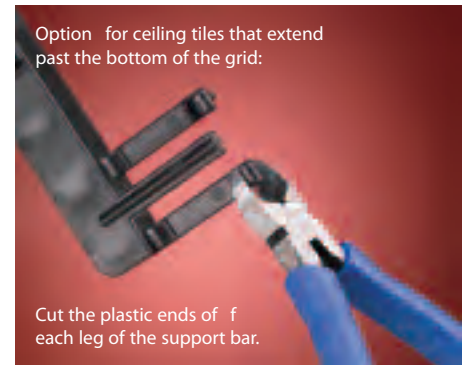
3 Use the "S" hooks provided to attach chain to turnbuckle, and chain to the overhead support. Use turnbuckle to apply tension to the chain, so it supports the weight of fan.



4 Remove captive screws (shown above). Use them to install the fan or fixture per manufacturer's specifications, NEC and all local electrical codes.



Cable pulled through installed NM cable connector.



Distributed by



**Arlington**  
 1 Stauffer Industrial Park  
 Scranton, PA 18517  
**800/233.4717**  
**Fax 570/562.0646**  
[www.aifittings.com](http://www.aifittings.com)

FBR420SC 306/50M