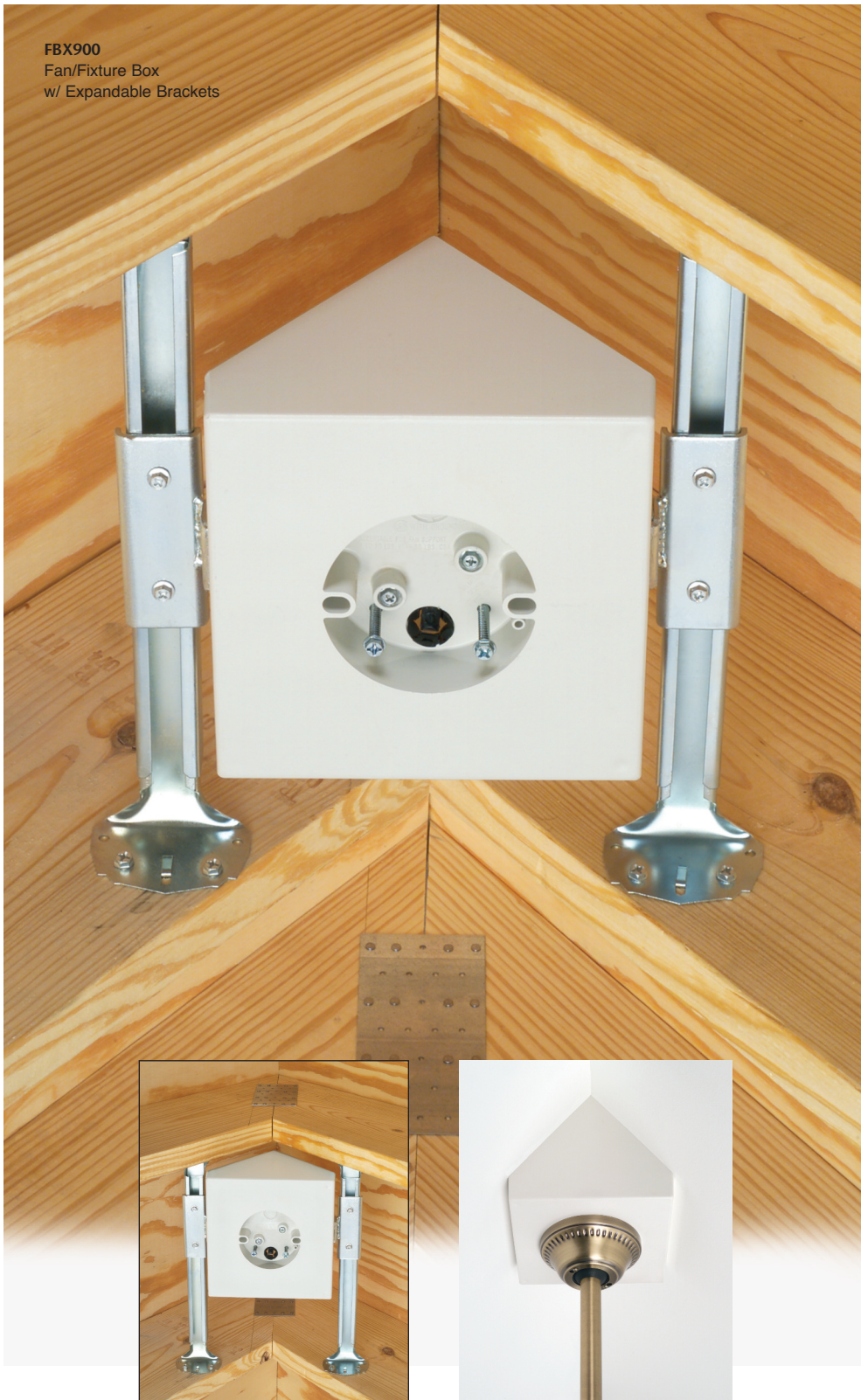


**MORE**  
on  
reverse

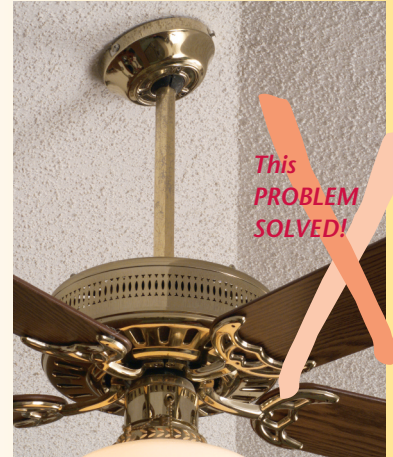
# Fan/Fixture Box with Expandable Brackets

*For Centered Installations on Cathedral Ceilings*

FBX900  
Fan/Fixture Box  
w/ Expandable Brackets



Arlington's FBX900 Fan and Fixture Box provides a perfectly centered installation between two rafters – even if the desired mounting point is not centered on the rafters.



Get a centered, safe installation...  
Save time and money with FBX900.

- Expandable brackets hold the box securely between joists – eliminating the need to cut and nail 2X4s to center the fan/fixture
- Large, 8" square mounting surface handles fans with large canopies
- Taller sides fit cathedral ceilings with angles greater than 80°

FB900 offers the same great features as the FBX900. See reverse for details.



**Arlington®**

1 Stauffer Industrial Park  
Scranton, PA 18517  
800/233.4717 • Fax 570/562.0646  
www.aifittings.com

***Easy! – Slide the box along the brackets  
to center the fan or fixture in the room***

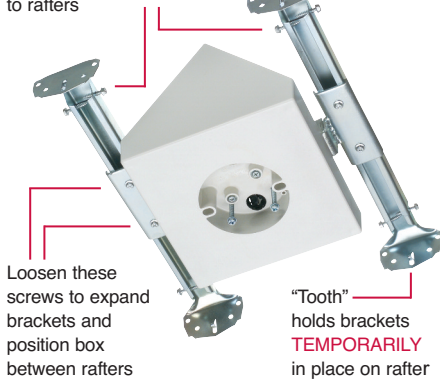


# FBX900 • FB900 • FB450 Fan/Fixture Boxes

## Center a Fan/Fixture on Cathedral Ceilings w Angles over 80°

### FBX900

Remove and use these screws to attach bracket ends to rafters



FBX900 includes a template to level and position brackets between rafters



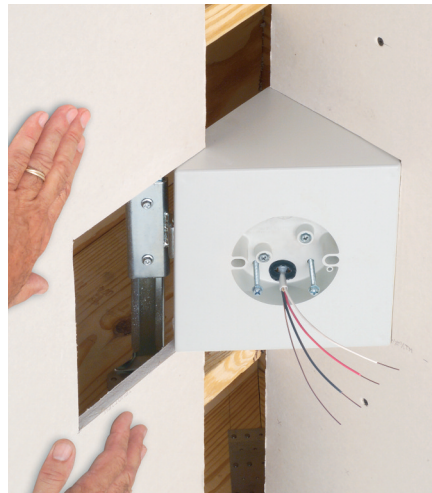
1 For proper fan/fixture installation, use supplied template to level and position brackets between rafters. Remove captive screws on sides of brackets and use to attach FBX900 assembly to rafters.



Cut a 2x4 approx. 14" long to span rafters. Install FB900 in center, then attach the 2x4 to the rafters, keeping bottom of box level, and short sides of box touching angled rafters.



2 Loosen the screws noted above. Slide box along brackets to center it between rafters. Tighten screws. Install wires.



3 Cut and position drywall to fit around the box. (Note captive screws in box). Install fan or fixture per manufacturer's instructions using captive installation screws.



Cut a 2x8 approximately 18" long. Install FB450 on 2x8 allowing it to extend 8 to 10" past the box. Keep bottom of box level, short side of box touching angled rafter. Nail or screw assembly to rafter.



Canadian orders ship w/ grounding lug required by CSA for fixtures

**Arlington®**

1 Stauffer Industrial Park  
Scranton, PA 18517  
800/233.4717 • Fax 570/562.0646  
www.aifittings.com

| CATALOG NUMBER | UPC/DCI/NAED MFG. #018997 | DESCRIPTION<br>14.5 cu inch Non-metallic Box                        | UNIT PKG | STD PKG |
|----------------|---------------------------|---|----------|---------|
| FBX900         | 75224                     | Adjustable. Fits Cathedral Ceilings with angles 80 degrees AND OVER | 1        | 1       |
| FB900          | 75250                     | Fits Cathedral Ceilings with angles 80 degrees AND OVER             | 1        | 6       |
| FB450          | 75240                     | Fits Sloped Ceilings with angles UP TO 45 degrees                   | 1        | 6       |

All ship with captive installation screws and installed NM cable connector. Textured, paintable non-metallic surface.

| Ratings | UL                         | CSA                  |
|---------|----------------------------|----------------------|
| FBX900  | 70 lb Fan or Fixture       | 50 lb Fan or Fixture |
| FBX900  | 70 lb Fan • 200 lb Fixture | 50 lb Fan or Fixture |
| FB450   | 70 lb Fan • 200 lb Fixture | 50 lb Fan or Fixture |

Distributed by

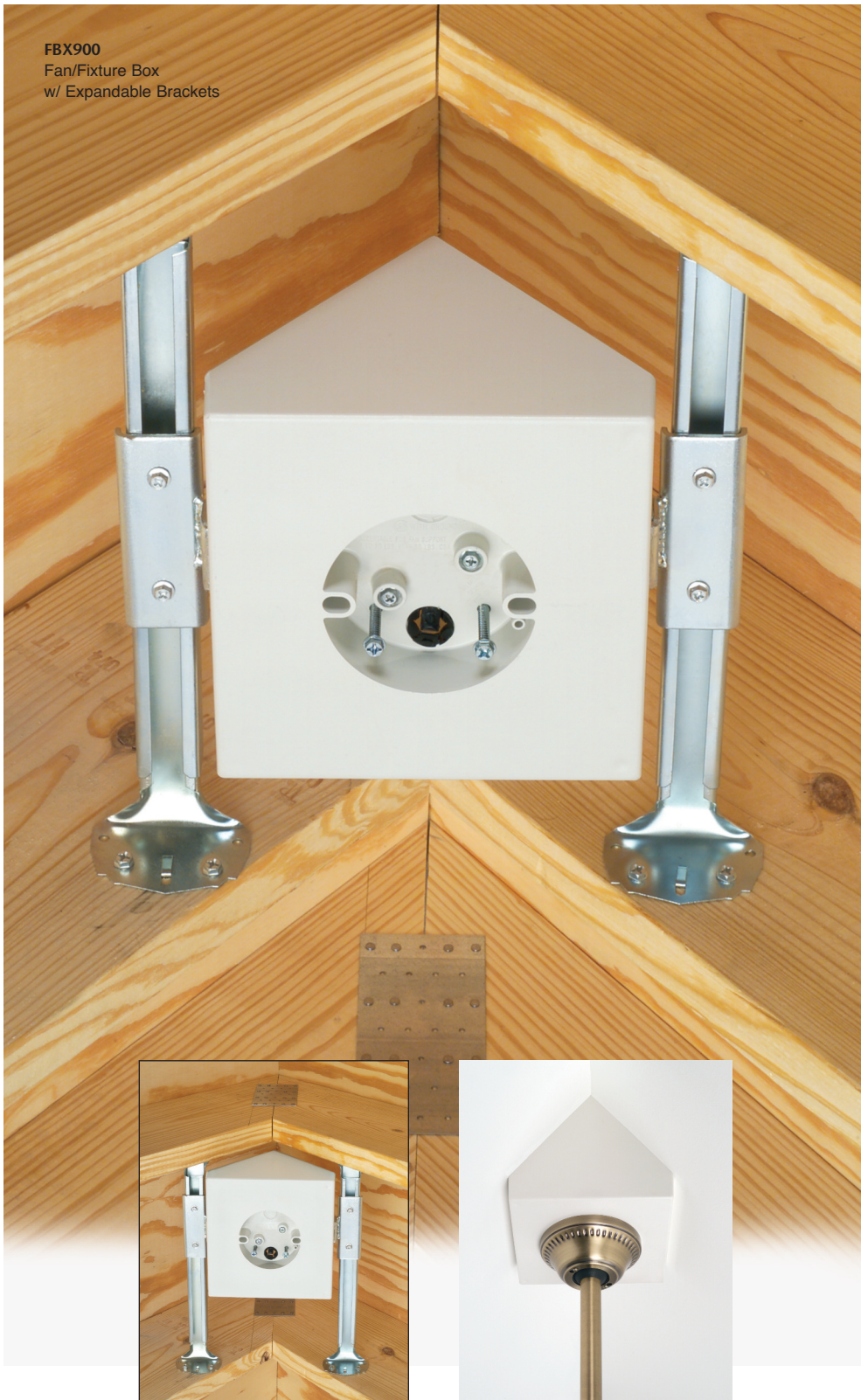


**MORE**  
on  
reverse

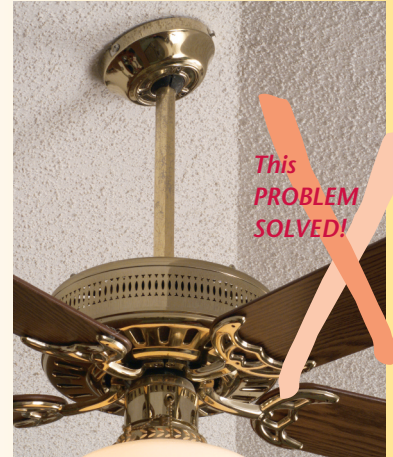
# Fan/Fixture Box with Expandable Brackets

*For Centered Installations on Cathedral Ceilings*

FBX900  
Fan/Fixture Box  
w/ Expandable Brackets



Arlington's FBX900 Fan and Fixture Box provides a perfectly centered installation between two rafters – even if the desired mounting point is not centered on the rafters.



Get a centered, safe installation...  
Save time and money with FBX900.

- Expandable brackets hold the box securely between joists – eliminating the need to cut and nail 2X4s to center the fan/fixture
- Large, 8" square mounting surface handles fans with large canopies
- Taller sides fit cathedral ceilings with angles greater than 80°

FB900 offers the same great features as the FBX900. See reverse for details.



**Arlington®**

1 Stauffer Industrial Park  
Scranton, PA 18517  
800/233.4717 • Fax 570/562.0646  
[www.aifittings.com](http://www.aifittings.com)

***Easy! – Slide the box along the brackets  
to center the fan or fixture in the room***

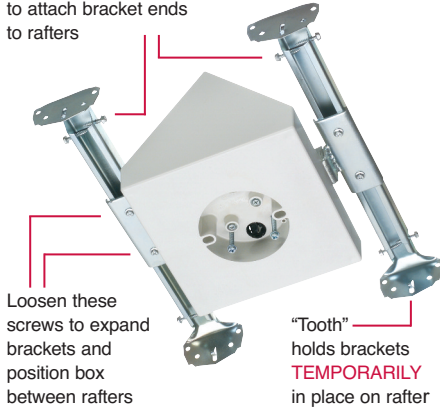


# FBX900 • FB900 • FB450 Fan/Fixture Boxes

## Center a Fan/Fixture on Cathedral Ceilings w Angles over 80°

### FBX900

Remove and use these screws to attach bracket ends to rafters



FBX900 includes a template to level and position brackets between rafters



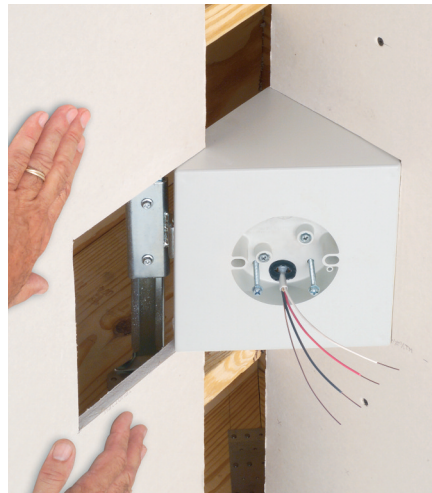
1 For proper fan/fixture installation, use supplied template to level and position brackets between rafters. Remove captive screws on sides of brackets and use to attach FBX900 assembly to rafters.



Cut a 2x4 approx. 14" long to span rafters. Install FB900 in center, then attach the 2x4 to the rafters, keeping bottom of box level, and short sides of box touching angled rafters.



2 Loosen the screws noted above. Slide box along brackets to center it between rafters. Tighten screws. Install wires.



3 Cut and position drywall to fit around the box. (Note captive screws in box). Install fan or fixture per manufacturer's instructions using captive installation screws.



Cut a 2x8 approximately 18" long. Install FB450 on 2x8 allowing it to extend 8 to 10" past the box. Keep bottom of box level, short side of box touching angled rafter. Nail or screw assembly to rafter.



Canadian orders ship w/ grounding lug required by CSA for fixtures

**Arlington®**

1 Stauffer Industrial Park  
Scranton, PA 18517  
800/233.4717 • Fax 570/562.0646  
www.aifittings.com

| CATALOG NUMBER | UPC/DCI/NAED MFG. #018997 | DESCRIPTION   | UNIT PKG | STD PKG |
|----------------|---------------------------|---|----------|---------|
|                |                           | 14.5 cu inch Non-metallic Box                                       |          |         |
| FBX900         | 75224                     | Adjustable. Fits Cathedral Ceilings with angles 80 degrees AND OVER | 1        | 1       |
| FB900          | 75250                     | Fits Cathedral Ceilings with angles 80 degrees AND OVER             | 1        | 6       |
| FB450          | 75240                     | Fits Sloped Ceilings with angles UP TO 45 degrees                   | 1        | 6       |

All ship with captive installation screws and installed NM cable connector. Textured, paintable non-metallic surface.

| Ratings | UL                         | CSA                  |
|---------|----------------------------|----------------------|
| FBX900  | 70 lb Fan or Fixture       | 50 lb Fan or Fixture |
| FBX900  | 70 lb Fan • 200 lb Fixture | 50 lb Fan or Fixture |
| FB450   | 70 lb Fan • 200 lb Fixture | 50 lb Fan or Fixture |

Distributed by