

COOPER LIGHTING - ALL-PRO™

DESCRIPTION

Affordable, high-performance, low-maintenance LED entry and patio light is a dependable and reliable security solution that provides nighttime ON and daytime OFF settings. Suitable for mounting heights up to 10ft., and replaces 60W incandescent area lights. This low profile area light is ideal for residential applications such as entrances, patios, walkways, apartment complexes and light commercial buildings such as outlet exteriors, doorways, storage areas and hotels.

| | | |
|--------------------|--|-------------|
| Catalog # | | Type |
| Project | | |
| Comments | | Date |
| Prepared by | | |

SPECIFICATION FEATURES

Construction

- Low profile plastic injection molded housing suitable for wet locations
- UV stable frosted polycarbonate lens
- Available in bronze or white finish
- Suitable for recessed residential junction boxes in North America

Electrical

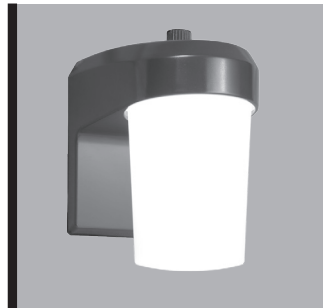
- Maintenance-free LEDs with 25,000 hours of life
- Fixture operating temperature range from -30°C to 40°C
- Integral photo control included
- Electrical operating voltage 120VAC 50/60Hz
- cULus listed for wet locations
- External supply wiring 90°C minimum

Optics

- Diffused lens gives “no glare” useful area light
- 5000K color temperature perfect for security applications

Warranty

- 2 year limited warranty

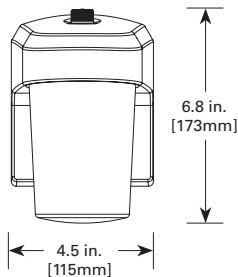


LED ENTRY AND PATIO LIGHT

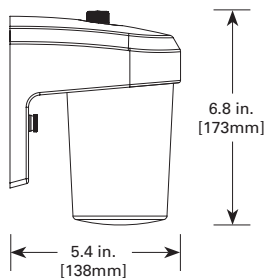
DIMENSIONS

FE0650LPC

Front View

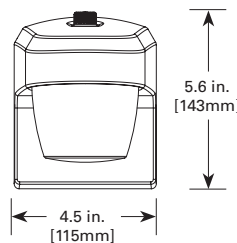


Side View

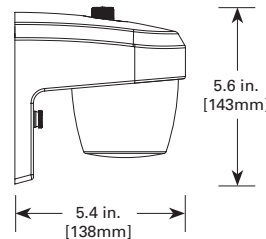


FES0650LPC

Front View



Side View



ORDERING INFORMATION

Sample Number: FE0650 or FES0650

| | | | | | |
|---|----------------------|--|-----------------------------|-------------------------------------|---|
| <input type="text"/> | <input type="text"/> | <input type="text"/> | <input type="text"/> | <input type="text"/> | <input type="text"/> |
| Application FE = Entry Light FES = Entry Light, Short lens | Series 06 | Color Temperature 50 = 5000K | Lamp Type L = LED | Options PC = Photocontrol | Housing Color (blank) = Bronze W = White |

Innovation you can rely on™

Sustainable Design



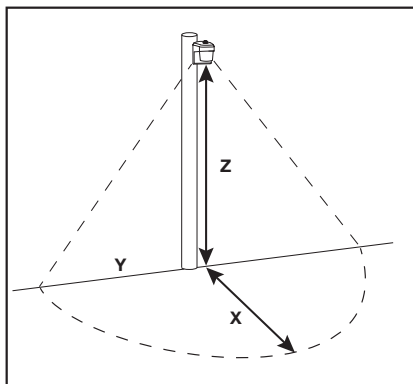
CERTIFICATION DATA

cULus Wet Location Listed
Lighting Facts® Approved
California Title24 Compliant

TECHNICAL DATA

-30°C to 40°C Temperature Rating
External Supply Wiring 90° Minimum
Wall and Pole Mount

PHOTOMETRICS



| Mounting Height (Z) | Forward Throw (X) | Wall Spread (Y) |
|---------------------|-------------------|-----------------|
| 6 ft. | 12 ft. | 23 ft. |
| 8 ft. | 12 ft. | 24 ft. |
| 10 ft. | 13 ft. | 25 ft. |

Note: Coverage is measured at 0.25 footcandles isoline for FES0650LPC.
See IES files for specific photometrics results.

Technical Information

| | | Voltage (V) | Power (W) | Delivered Lumens | Efficacy (Lum/Watt) | LED Color Temperature (K) | CRI |
|-----------------------|--------|-------------|-----------|------------------|---------------------|---------------------------|-----|
| FE0650 Series | Bronze | 120 | 11 | 652 | 59 | 4926 | 85 |
| | White | 120 | 11 | 738 | 65 | 4851 | 86 |
| FES0650 Series | Bronze | 120 | 11 | 573 | 52 | 4922 | 85 |
| | White | 120 | 11 | 637 | 56 | 4861 | 87 |

Energy and Maintenance Savings

| Savings | LED | 13W Compact Fluorescent | 60W Incandescent |
|----------------------------------|---------|-------------------------|------------------|
| Input power ¹ | 11W | 15W | 60W |
| Total energy costs | \$33 | \$46 | \$180 |
| Energy savings ² | No cost | \$13 | \$147 |
| Maintenance savings ³ | No cost | \$40 | \$38 |
| Total Savings | No cost | \$53 | \$185 |

¹Adjusted with ballast loss

²Savings based on operating 10hrs, 365 days @ \$0.12/kW-hr for 25,000 hours

³Assume 4-in-10 people replace fixtures based on mortality curve and \$30 per replacement