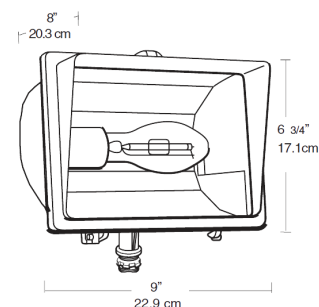


# FFH70

Compact, tough and good looking cast aluminum housing with hinged framed glass lens. Integra Hood glare shield and stainless steel clip. Lamp supplied.

Color: Bronze

Weight: 8.6 lbs



## Lamp Info

Type: ED17  
 Watts: 70W  
 Shape/Size: N/A  
 Base: N/A  
 ANSI: N/A  
 Hours: 15,000  
 Lamp Lumens: 5,600  
 Efficacy: 60 LPW

## Ballast Info

Type: BMHN70  
 120V: 2.5/2.1A  
 208V: N/A  
 240V: N/A  
 277V: N/A  
 Input Watts: 94W  
 Efficiency: 74%

## Technical Specifications

### UL Listing:

Suitable for wet locations. Suitable for mounting within 1.2m (4ft) of the ground.

### Sockets:

Porcelain with all copper current carrying components.

### Housing:

Precision die cast aluminum, 1/2" NPS threaded arm with locking swivel fits all standard mounting boxes .

### Reflector:

Anodized semi-specular aluminum.

### Lens:

Thermal tempered shock resistant glass.

### Lens Gasket:

High temperature tubular silicone set in die cast retaining groove remains in place during relamping .

### Socket:

Glazed porcelain 4kv pulse rated with nickel plated screw shell and spring contacts .

### Finish:

Our environmentally friendly polyester powder coatings are formulated for high-durability and long-lasting color, and contains no VOC or toxic heavy metals.

### EPA:

0.43.

### Patents:

Pat. D420,458.

### EISA 2007 Compliant:

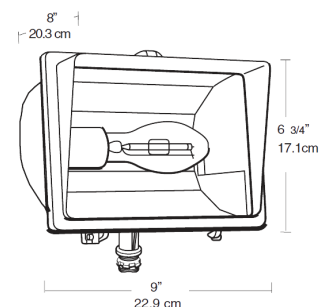
This product complies with the new law for metal halide ballast efficiency. This law goes into effect January 1st, 2008. Pulse Start offers Longer Lamp Life, Faster Startup and Faster Restrike.

# FFH70

Compact, tough and good looking cast aluminum housing with hinged framed glass lens. Integra Hood glare shield and stainless steel clip. Lamp supplied.

Color: Bronze

Weight: 8.6 lbs



## Lamp Info

Type: ED17  
 Watts: 70W  
 Shape/Size: N/A  
 Base: N/A  
 ANSI: N/A  
 Hours: 15,000  
 Lamp Lumens: 5,600  
 Efficacy: 60 LPW

## Ballast Info

Type: BMHN70  
 120V: 2.5/2.1A  
 208V: N/A  
 240V: N/A  
 277V: N/A  
 Input Watts: 94W  
 Efficiency: 74%

## Technical Specifications

### UL Listing:

Suitable for wet locations. Suitable for mounting within 1.2m (4ft) of the ground.

### Sockets:

Porcelain with all copper current carrying components.

### Housing:

Precision die cast aluminum, 1/2" NPS threaded arm with locking swivel fits all standard mounting boxes .

### Reflector:

Anodized semi-specular aluminum.

### Lens:

Thermal tempered shock resistant glass.

### Lens Gasket:

High temperature tubular silicone set in die cast retaining groove remains in place during relamping .

### Socket:

Glazed porcelain 4kv pulse rated with nickel plated screw shell and spring contacts .

### Finish:

Our environmentally friendly polyester powder coatings are formulated for high-durability and long-lasting color, and contains no VOC or toxic heavy metals.

### EPA:

0.43.

### Patents:

Pat. D420,458.

### EISA 2007 Compliant:

This product complies with the new law for metal halide ballast efficiency. This law goes into effect January 1st, 2008. Pulse Start offers Longer Lamp Life, Faster Startup and Faster Restrike.