

FLQ SERIES MIDGET (10x38mm) FUSES

500 Vac • Time-Delay • 1/10-30 A



Description

The FLQ series 500 Vac time-delay fuses provide excellent supplemental protection of control power transformers, solenoids, and circuits with high inrush currents.

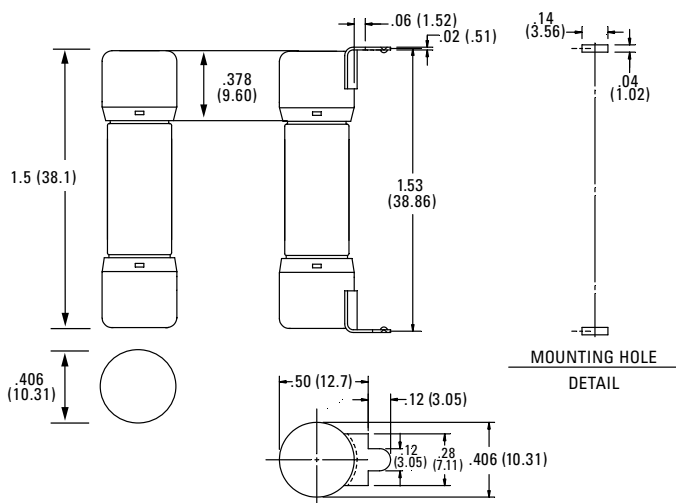
Features/Benefits

- Ideal for 480 Vac systems
- Time-Delay

Applications

- Control power transformers
- Solenoids
- Circuits with high inrush current

Dimensions Inches (mm)



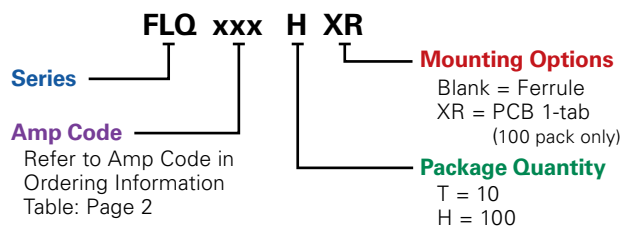
Specifications

| | |
|----------------------------|--|
| Voltage Rating | AC: 500 Vac or less DC: 300 V |
| Amperage Rating | 1/10 – 30 A |
| Interrupting Rating | AC: 10 kA rms symmetrical DC: 10 kA self-certified |
| Approvals | AC: UL Listed (File: E10480) CSA Certified (File: LR29862) DC: Littelfuse self-certified |
| Environmental | RoHS Compliant |
| Material: | Body: Paper: 1/10A-5A Melamine 5-6/10A-30A Caps: Copper Alloy (Nickel plated) |
| Country of Origin | Mexico |

Ordering Information

| AMPERAGE RATINGS | | | | | | |
|------------------|------|--------|--------|--------|----|----|
| 1/10 | 3/10 | 1 1/8 | 2 1/2 | 5 | 9 | 25 |
| 1/8 | 4/10 | 1 1/4 | 3 | 5 8/10 | 10 | 30 |
| 15/100 | 1/2 | 1 1/2 | 3 2/10 | 6 | 12 | — |
| 3/16 | 6/10 | 1 6/10 | 3 1/2 | 6 1/4 | 14 | — |
| 2/10 | 8/10 | 2 | 4 | 7 | 15 | — |
| 1/4 | 1 | 2 1/4 | 4 1/2 | 8 | 20 | — |

Part Numbering System



| SERIES | AMP | PACKAGE QUANTITY | MOUNTING METHOD | CATALOG NUMBER | ORDERING NUMBER |
|--------|------|------------------|-----------------|----------------|-----------------|
| FLQ | 1/10 | 10 | FERRULE | FLQ.100 | OFLQ.100T |
| FLQ | 2 | 100 | FERRULE | FLQ005 | OFLQ002.H |
| FLQ | 15 | 100 | PCB 1-TAB | FLQ015R | OFLQ015.HXR |

Note: additional ordering information on page 2

Recommended Fuse Holders

Littelfuse LFPSM Dead-Front Series
Littelfuse L60030M Open-Face Series

Web Resources

Download technical information: littelfuse.com/flq

FLQ SERIES MIDGET (10x38mm) FUSES

Ordering Information

Ferrule Version

| AMP RATING | AMP CODE | VOLTAGE (VAC) | INTERRUPTING RATING (kA) | | CATALOG NUMBER | ORDERING NUMBER | UPC | AGENCY APPROVALS | |
|------------|----------|---------------|--------------------------|----|----------------|-----------------|-------------|------------------|-----|
| | | | AC | DC | | | | UL | CSA |
| 1/10 | .100 | 500 | 10 | 10 | FLQ.100 | OFLQ.100T | 07945816011 | • | • |
| 1/8 | .125 | 500 | 10 | 10 | FLQ.125 | OFLQ.125T | 07945816012 | • | • |
| 15/100 | .150 | 500 | 10 | 10 | FLQ.150 | OFLQ.150T | 07945816013 | • | • |
| 3/16 | .187 | 500 | 10 | 10 | FLQ.187 | OFLQ.187T | 07945816017 | • | • |
| 2/10 | .200 | 500 | 10 | 10 | FLQ.200 | OFLQ.200T | 07945816018 | • | • |
| 1/4 | .250 | 500 | 10 | 10 | FLQ.250 | OFLQ.250T | 07945816019 | • | • |
| 3/10 | .300 | 500 | 10 | 10 | FLQ.300 | OFLQ.300T | 07945800089 | • | • |
| 4/10 | .400 | 500 | 10 | 10 | FLQ.400 | OFLQ.400T | 07945816023 | • | • |
| 1/2 | .500 | 500 | 10 | 10 | FLQ.500 | OFLQ.500T | 07945816024 | • | • |
| 6/10 | .600 | 500 | 10 | 10 | FLQ.600 | OFLQ.600T | 07945800090 | • | • |
| 8/10 | .800 | 500 | 10 | 10 | FLQ.800 | OFLQ.800T | 07945800091 | • | • |
| 1 | 001. | 500 | 10 | 10 | FLQ001. | OFLQ001.T | 07945816031 | • | • |
| 1 1/8 | 1.12 | 500 | 10 | 10 | FLQ1.12 | OFLQ1.12T | 07945816032 | • | • |
| 1 1/4 | 1.25 | 500 | 10 | 10 | FLQ1.25 | OFLQ1.25T | 07945816034 | • | • |
| 1 1/2 | 01.5 | 500 | 10 | 10 | FLQ01.5 | OFLQ01.5T | 07945816037 | • | • |
| 1 5/10 | 01.6 | 500 | 10 | 10 | FLQ01.6 | OFLQ01.6T | 07945816038 | • | • |
| 2 | 002. | 500 | 10 | 10 | FLQ002. | OFLQ002.T | 07945816041 | • | • |
| 2 1/4 | 2.25 | 500 | 10 | 10 | FLQ2.25 | OFLQ2.25T | 07945816042 | • | • |
| 2 1/2 | 02.5 | 500 | 10 | 10 | FLQ02.5 | OFLQ02.5T | 07945816043 | • | • |
| 3 | 003. | 500 | 10 | 10 | FLQ003. | OFLQ003.T | 07945816047 | • | • |
| 3 2/10 | 03.2 | 500 | 10 | 10 | FLQ03.2 | OFLQ03.2T | 07945816049 | • | • |
| 3 1/2 | 03.5 | 500 | 10 | 10 | FLQ03.5 | OFLQ03.5T | 07945816051 | • | • |
| 4 | 004. | 500 | 10 | 10 | FLQ004. | OFLQ004.T | 07945816053 | • | • |
| 4 1/2 | 04.5 | 500 | 10 | 10 | FLQ04.5 | OFLQ04.5T | 07945816054 | • | • |
| 5 | 005. | 500 | 10 | 10 | FLQ005 | OFLQ005.T | 07945816055 | • | • |
| 5 5/10 | 05.6 | 500 | 10 | 10 | FLQ05.6 | OFLQ05.6T | 07945816056 | • | • |
| 6 | 006. | 500 | 10 | 10 | FLQ006 | OFLQ006.T | 07945816058 | • | • |
| 6 1/4 | 6.25 | 500 | 10 | 10 | FLQ6.25 | OFLQ6.25T | 07945816059 | • | • |
| 7 | 007. | 500 | 10 | 10 | FLQ007 | OFLQ007.T | 07945816061 | • | • |
| 8 | 008. | 500 | 10 | 10 | FLQ008 | OFLQ008.T | 07945816063 | • | • |
| 9 | 009. | 500 | 10 | 10 | FLQ009 | OFLQ009.T | 07945816064 | • | • |
| 10 | 010. | 500 | 10 | 10 | FLQ010 | OFLQ010.T | 07945816065 | • | • |
| 12 | 012. | 500 | 10 | 10 | FLQ012 | OFLQ012.T | 07945816066 | • | • |
| 14 | 014. | 500 | 10 | 10 | FLQ014 | OFLQ014.T | 07945816067 | • | • |
| 15 | 015. | 500 | 10 | 10 | FLQ015 | OFLQ015.T | 07945816068 | • | • |
| 20 | 020. | 500 | 10 | 10 | FLQ020 | OFLQ020.T | 07945816071 | • | • |
| 25 | 025. | 500 | 10 | 10 | FLQ025 | OFLQ025.T | 07945816072 | • | • |
| 30 | 030. | 500 | 10 | 10 | FLQ030 | OFLQ030.T | 07945816073 | • | • |

Ordering Information
PCB Mount 1-Tab Version

| AMP RATING | AMP CODE | VOLTAGE (VAC) | INTERRUPTING RATING (kA) | | CATALOG NUMBER | ORDERING NUMBER | UPC | AGENCY APPROVALS | |
|------------|----------|---------------|--------------------------|----|----------------|-----------------|-------------|------------------|----|
| | | | AC | DC | | | | UR | CE |
| 15/100 | .150 | 500 | 10 | 10 | FLQ.150R | OFLQ.150HXR | 07945894950 | • | • |
| 3/16 | .187 | 500 | 10 | 10 | FLQ.187R | OFLQ.187HXR | 07945894951 | • | • |
| 2/10 | .200 | 500 | 10 | 10 | FLQ.200R | OFLQ.200HXR | 07945894952 | • | • |
| 1/4 | .250 | 500 | 10 | 10 | FLQ.250R | OFLQ.250HXR | 07945894953 | • | • |
| 3/10 | .300 | 500 | 10 | 10 | FLQ.300R | OFLQ.300HXR | 07945894954 | • | • |
| 4/10 | .400 | 500 | 10 | 10 | FLQ.400R | OFLQ.400HXR | 07945894955 | • | • |
| 1/2 | .500 | 500 | 10 | 10 | FLQ.500R | OFLQ.500HXR | 07945894956 | • | • |
| 6/10 | .600 | 500 | 10 | 10 | FLQ.600R | OFLQ.600HXR | 07945894957 | • | • |
| 8/10 | .800 | 500 | 10 | 10 | FLQ.800R | OFLQ.800HXR | 07945894958 | • | • |
| 1 | 001. | 500 | 10 | 10 | FLQ001R | OFLQ001.HXR | 07945894959 | • | • |
| 1 1/8 | 1.12 | 500 | 10 | 10 | FLQ1.12R | OFLQ1.12HXR | 07945894981 | • | • |
| 1 1/4 | 1.25 | 500 | 10 | 10 | FLQ1.25R | OFLQ1.25HXR | 07945894982 | • | • |
| 1 1/2 | 01.5 | 500 | 10 | 10 | FLQ01.5R | OFLQ01.5HXR | 07945894967 | • | • |
| 1 5/10 | 01.6 | 500 | 10 | 10 | FLQ01.6R | OFLQ01.6HXR | 07945894968 | • | • |
| 2 | 002. | 500 | 10 | 10 | FLQ002R | OFLQ002.HXR | 07945894960 | • | • |
| 2 1/4 | 2.25 | 500 | 10 | 10 | FLQ2.25R | OFLQ2.25HXR | 07945894983 | • | • |
| 2 1/2 | 02.5 | 500 | 10 | 10 | FLQ02.5R | OFLQ02.5HXR | 07945894973 | • | • |
| 3 | 003. | 500 | 10 | 10 | FLQ003R | OFLQ003.HXR | 07945894961 | • | • |
| 3 2/10 | 03.2 | 500 | 10 | 10 | FLQ03.2R | OFLQ03.2HXR | 07945894976 | • | • |
| 3 1/2 | 03.5 | 500 | 10 | 10 | FLQ03.5R | OFLQ03.5HXR | 07945894977 | • | • |
| 4 | 004. | 500 | 10 | 10 | FLQ004R | OFLQ004.HXR | 07945894962 | • | • |
| 4 1/2 | 04.5 | 500 | 10 | 10 | FLQ04.5R | OFLQ04.5HXR | 07945894979 | • | • |
| 5 | 005. | 500 | 10 | 10 | FLQ005R | OFLQ005.HXR | 07945894963 | • | • |
| 5 8/10 | 05.6 | 500 | 10 | 10 | FLQ05.6R | OFLQ05.6HXR | 07945894980 | • | • |
| 6 1/4 | 6.25 | 500 | 10 | 10 | FLQ6.25R | OFLQ6.25HXR | 07945894984 | • | • |
| 7 | 007. | 500 | 10 | 10 | FLQ007R | OFLQ007.HXR | 07945894964 | • | • |
| 8 | 008. | 500 | 10 | 10 | FLQ008R | OFLQ008.HXR | 07945894965 | • | • |
| 9 | 009. | 500 | 10 | 10 | FLQ009R | OFLQ009.HXR | 07945894966 | • | • |
| 10 | 010. | 500 | 10 | 10 | FLQ010R | OFLQ010.HXR | 07945894969 | • | • |
| 12 | 012. | 500 | 10 | 10 | FLQ012R | OFLQ012.HXR | 07945807768 | • | • |
| 14 | 014. | 500 | 10 | 10 | FLQ014R | OFLQ014.HXR | 07945894971 | • | • |
| 15 | 015. | 500 | 10 | 10 | FLQ015R | OFLQ015.HXR | 07945894972 | • | • |
| 20 | 020. | 500 | 10 | 10 | FLQ020R | OFLQ020.HXR | 07945894974 | • | • |
| 25 | 025. | 500 | 10 | 10 | FLQ025R | OFLQ025.HXR | 07945894975 | • | • |
| 30 | 030. | 500 | 10 | 10 | FLQ030R | OFLQ030.HXR | 07945894978 | • | • |

FLQ SERIES MIDGET (10x38mm) FUSES

Temperature Derating Curve (Temperature of Air Immediately Surrounding Fuse)



Time Current Curves



Time Current Curves



FLQ SERIES MIDGET (10x38mm) FUSES

Time Current Curves



FLQ SERIES MIDGET (10x38mm) FUSES

500 Vac • Time-Delay • 1/10-30 A



Description

The FLQ series 500 Vac time-delay fuses provide excellent supplemental protection of control power transformers, solenoids, and circuits with high inrush currents.

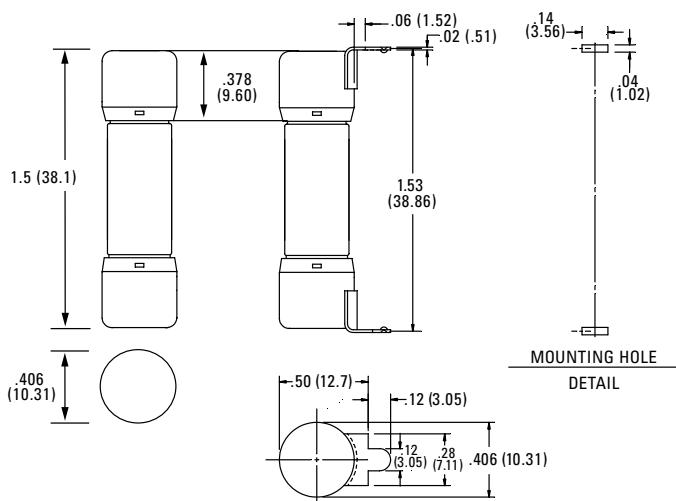
Features/Benefits

- Ideal for 480 Vac systems
- Time-Delay

Applications

- Control power transformers
- Solenoids
- Circuits with high inrush current

Dimensions Inches (mm)



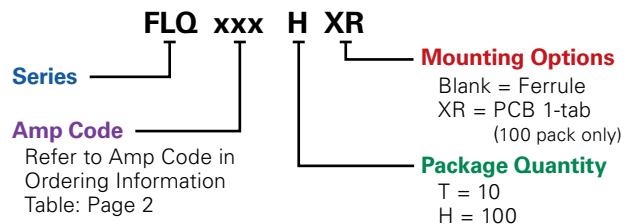
Specifications

| | |
|----------------------------|--|
| Voltage Rating | AC: 500 Vac or less DC: 300 V |
| Amperage Rating | 1/10 – 30 A |
| Interrupting Rating | AC: 10 kA rms symmetrical DC: 10 kA self-certified |
| Approvals | AC: UL Listed (File: E10480) CSA Certified (File: LR29862) DC: Littelfuse self-certified |
| Environmental | RoHS Compliant |
| Material: | Body: Paper: 1/10A-5A Melamine 5-6/10A-30A Caps: Copper Alloy (Nickel plated) |
| Country of Origin | Mexico |

Ordering Information

| AMPERAGE RATINGS | | | | | | |
|------------------|------|--------|--------|--------|----|----|
| 1/10 | 3/10 | 1 1/8 | 2 1/2 | 5 | 9 | 25 |
| 1/8 | 4/10 | 1 1/4 | 3 | 5 8/10 | 10 | 30 |
| 15/100 | 1/2 | 1 1/2 | 3 2/10 | 6 | 12 | — |
| 3/16 | 6/10 | 1 6/10 | 3 1/2 | 6 1/4 | 14 | — |
| 2/10 | 8/10 | 2 | 4 | 7 | 15 | — |
| 1/4 | 1 | 2 1/4 | 4 1/2 | 8 | 20 | — |

Part Numbering System



| SERIES | AMP | PACKAGE QUANTITY | MOUNTING METHOD | CATALOG NUMBER | ORDERING NUMBER |
|--------|------|------------------|-----------------|----------------|-----------------|
| FLQ | 1/10 | 10 | FERRULE | FLQ.100 | OFLQ.100T |
| FLQ | 2 | 100 | FERRULE | FLQ005 | OFLQ002.H |
| FLQ | 15 | 100 | PCB 1-TAB | FLQ015R | OFLQ015.HXR |

Note: additional ordering information on page 2

Recommended Fuse Holders

Littelfuse LFPSM Dead-Front Series
Littelfuse L60030M Open-Face Series

Web Resources

Download technical information: littelfuse.com/flq

FLQ SERIES MIDGET (10x38mm) FUSES

Ordering Information

Ferrule Version

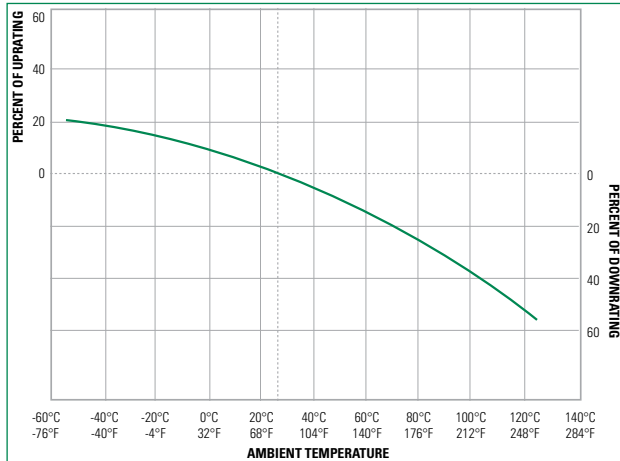
| AMP RATING | AMP CODE | VOLTAGE (VAC) | INTERRUPTING RATING (kA) | | CATALOG NUMBER | ORDERING NUMBER | UPC | AGENCY APPROVALS | |
|------------|----------|---------------|--------------------------|----|----------------|-----------------|-------------|------------------|-----|
| | | | AC | DC | | | | UL | CSA |
| 1/10 | .100 | 500 | 10 | 10 | FLQ.100 | OFLQ.100T | 07945816011 | • | • |
| 1/8 | .125 | 500 | 10 | 10 | FLQ.125 | OFLQ.125T | 07945816012 | • | • |
| 15/100 | .150 | 500 | 10 | 10 | FLQ.150 | OFLQ.150T | 07945816013 | • | • |
| 3/16 | .187 | 500 | 10 | 10 | FLQ.187 | OFLQ.187T | 07945816017 | • | • |
| 2/10 | .200 | 500 | 10 | 10 | FLQ.200 | OFLQ.200T | 07945816018 | • | • |
| 1/4 | .250 | 500 | 10 | 10 | FLQ.250 | OFLQ.250T | 07945816019 | • | • |
| 3/10 | .300 | 500 | 10 | 10 | FLQ.300 | OFLQ.300T | 07945800089 | • | • |
| 4/10 | .400 | 500 | 10 | 10 | FLQ.400 | OFLQ.400T | 07945816023 | • | • |
| 1/2 | .500 | 500 | 10 | 10 | FLQ.500 | OFLQ.500T | 07945816024 | • | • |
| 6/10 | .600 | 500 | 10 | 10 | FLQ.600 | OFLQ.600T | 07945800090 | • | • |
| 8/10 | .800 | 500 | 10 | 10 | FLQ.800 | OFLQ.800T | 07945800091 | • | • |
| 1 | 001. | 500 | 10 | 10 | FLQ001. | OFLQ001.T | 07945816031 | • | • |
| 1 1/8 | 1.12 | 500 | 10 | 10 | FLQ1.12 | OFLQ1.12T | 07945816032 | • | • |
| 1 1/4 | 1.25 | 500 | 10 | 10 | FLQ1.25 | OFLQ1.25T | 07945816034 | • | • |
| 1 1/2 | 01.5 | 500 | 10 | 10 | FLQ01.5 | OFLQ01.5T | 07945816037 | • | • |
| 1 5/10 | 01.6 | 500 | 10 | 10 | FLQ01.6 | OFLQ01.6T | 07945816038 | • | • |
| 2 | 002. | 500 | 10 | 10 | FLQ002. | OFLQ002.T | 07945816041 | • | • |
| 2 1/4 | 2.25 | 500 | 10 | 10 | FLQ2.25 | OFLQ2.25T | 07945816042 | • | • |
| 2 1/2 | 02.5 | 500 | 10 | 10 | FLQ02.5 | OFLQ02.5T | 07945816043 | • | • |
| 3 | 003. | 500 | 10 | 10 | FLQ003. | OFLQ003.T | 07945816047 | • | • |
| 3 2/10 | 03.2 | 500 | 10 | 10 | FLQ03.2 | OFLQ03.2T | 07945816049 | • | • |
| 3 1/2 | 03.5 | 500 | 10 | 10 | FLQ03.5 | OFLQ03.5T | 07945816051 | • | • |
| 4 | 004. | 500 | 10 | 10 | FLQ004. | OFLQ004.T | 07945816053 | • | • |
| 4 1/2 | 04.5 | 500 | 10 | 10 | FLQ04.5 | OFLQ04.5T | 07945816054 | • | • |
| 5 | 005. | 500 | 10 | 10 | FLQ005 | OFLQ005.T | 07945816055 | • | • |
| 5 5/10 | 05.6 | 500 | 10 | 10 | FLQ05.6 | OFLQ05.6T | 07945816056 | • | • |
| 6 | 006. | 500 | 10 | 10 | FLQ006 | OFLQ006.T | 07945816058 | • | • |
| 6 1/4 | 6.25 | 500 | 10 | 10 | FLQ6.25 | OFLQ6.25T | 07945816059 | • | • |
| 7 | 007. | 500 | 10 | 10 | FLQ007 | OFLQ007.T | 07945816061 | • | • |
| 8 | 008. | 500 | 10 | 10 | FLQ008 | OFLQ008.T | 07945816063 | • | • |
| 9 | 009. | 500 | 10 | 10 | FLQ009 | OFLQ009.T | 07945816064 | • | • |
| 10 | 010. | 500 | 10 | 10 | FLQ010 | OFLQ010.T | 07945816065 | • | • |
| 12 | 012. | 500 | 10 | 10 | FLQ012 | OFLQ012.T | 07945816066 | • | • |
| 14 | 014. | 500 | 10 | 10 | FLQ014 | OFLQ014.T | 07945816067 | • | • |
| 15 | 015. | 500 | 10 | 10 | FLQ015 | OFLQ015.T | 07945816068 | • | • |
| 20 | 020. | 500 | 10 | 10 | FLQ020 | OFLQ020.T | 07945816071 | • | • |
| 25 | 025. | 500 | 10 | 10 | FLQ025 | OFLQ025.T | 07945816072 | • | • |
| 30 | 030. | 500 | 10 | 10 | FLQ030 | OFLQ030.T | 07945816073 | • | • |

Ordering Information
PCB Mount 1-Tab Version

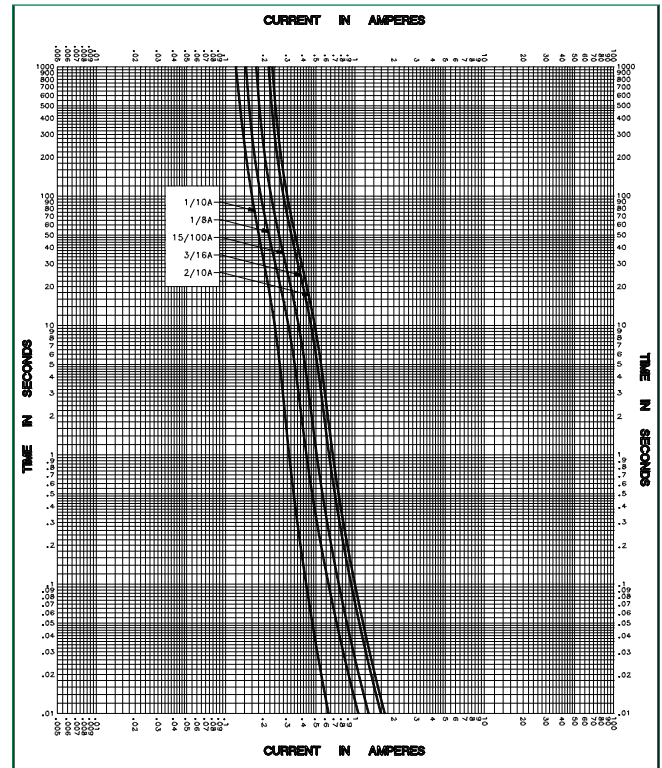
| AMP RATING | AMP CODE | VOLTAGE (VAC) | INTERRUPTING RATING (kA) | | CATALOG NUMBER | ORDERING NUMBER | UPC | AGENCY APPROVALS | |
|------------|----------|---------------|--------------------------|----|----------------|-----------------|-------------|------------------|----|
| | | | AC | DC | | | | UR | CE |
| 15/100 | .150 | 500 | 10 | 10 | FLQ.150R | OFLQ.150HXR | 07945894950 | • | • |
| 3/16 | .187 | 500 | 10 | 10 | FLQ.187R | OFLQ.187HXR | 07945894951 | • | • |
| 2/10 | .200 | 500 | 10 | 10 | FLQ.200R | OFLQ.200HXR | 07945894952 | • | • |
| 1/4 | .250 | 500 | 10 | 10 | FLQ.250R | OFLQ.250HXR | 07945894953 | • | • |
| 3/10 | .300 | 500 | 10 | 10 | FLQ.300R | OFLQ.300HXR | 07945894954 | • | • |
| 4/10 | .400 | 500 | 10 | 10 | FLQ.400R | OFLQ.400HXR | 07945894955 | • | • |
| 1/2 | .500 | 500 | 10 | 10 | FLQ.500R | OFLQ.500HXR | 07945894956 | • | • |
| 6/10 | .600 | 500 | 10 | 10 | FLQ.600R | OFLQ.600HXR | 07945894957 | • | • |
| 8/10 | .800 | 500 | 10 | 10 | FLQ.800R | OFLQ.800HXR | 07945894958 | • | • |
| 1 | 001. | 500 | 10 | 10 | FLQ001R | OFLQ001.HXR | 07945894959 | • | • |
| 1 1/8 | 1.12 | 500 | 10 | 10 | FLQ1.12R | OFLQ1.12HXR | 07945894981 | • | • |
| 1 1/4 | 1.25 | 500 | 10 | 10 | FLQ1.25R | OFLQ1.25HXR | 07945894982 | • | • |
| 1 1/2 | 01.5 | 500 | 10 | 10 | FLQ01.5R | OFLQ01.5HXR | 07945894967 | • | • |
| 1 5/10 | 01.6 | 500 | 10 | 10 | FLQ01.6R | OFLQ01.6HXR | 07945894968 | • | • |
| 2 | 002. | 500 | 10 | 10 | FLQ002R | OFLQ002.HXR | 07945894960 | • | • |
| 2 1/4 | 2.25 | 500 | 10 | 10 | FLQ2.25R | OFLQ2.25HXR | 07945894983 | • | • |
| 2 1/2 | 02.5 | 500 | 10 | 10 | FLQ02.5R | OFLQ02.5HXR | 07945894973 | • | • |
| 3 | 003. | 500 | 10 | 10 | FLQ003R | OFLQ003.HXR | 07945894961 | • | • |
| 3 2/10 | 03.2 | 500 | 10 | 10 | FLQ03.2R | OFLQ03.2HXR | 07945894976 | • | • |
| 3 1/2 | 03.5 | 500 | 10 | 10 | FLQ03.5R | OFLQ03.5HXR | 07945894977 | • | • |
| 4 | 004. | 500 | 10 | 10 | FLQ004R | OFLQ004.HXR | 07945894962 | • | • |
| 4 1/2 | 04.5 | 500 | 10 | 10 | FLQ04.5R | OFLQ04.5HXR | 07945894979 | • | • |
| 5 | 005. | 500 | 10 | 10 | FLQ005R | OFLQ005.HXR | 07945894963 | • | • |
| 5 8/10 | 05.6 | 500 | 10 | 10 | FLQ05.6R | OFLQ05.6HXR | 07945894980 | • | • |
| 6 1/4 | 6.25 | 500 | 10 | 10 | FLQ6.25R | OFLQ6.25HXR | 07945894984 | • | • |
| 7 | 007. | 500 | 10 | 10 | FLQ007R | OFLQ007.HXR | 07945894964 | • | • |
| 8 | 008. | 500 | 10 | 10 | FLQ008R | OFLQ008.HXR | 07945894965 | • | • |
| 9 | 009. | 500 | 10 | 10 | FLQ009R | OFLQ009.HXR | 07945894966 | • | • |
| 10 | 010. | 500 | 10 | 10 | FLQ010R | OFLQ010.HXR | 07945894969 | • | • |
| 12 | 012. | 500 | 10 | 10 | FLQ012R | OFLQ012.HXR | 07945807768 | • | • |
| 14 | 014. | 500 | 10 | 10 | FLQ014R | OFLQ014.HXR | 07945894971 | • | • |
| 15 | 015. | 500 | 10 | 10 | FLQ015R | OFLQ015.HXR | 07945894972 | • | • |
| 20 | 020. | 500 | 10 | 10 | FLQ020R | OFLQ020.HXR | 07945894974 | • | • |
| 25 | 025. | 500 | 10 | 10 | FLQ025R | OFLQ025.HXR | 07945894975 | • | • |
| 30 | 030. | 500 | 10 | 10 | FLQ030R | OFLQ030.HXR | 07945894978 | • | • |

FLQ SERIES MIDGET (10x38mm) FUSES

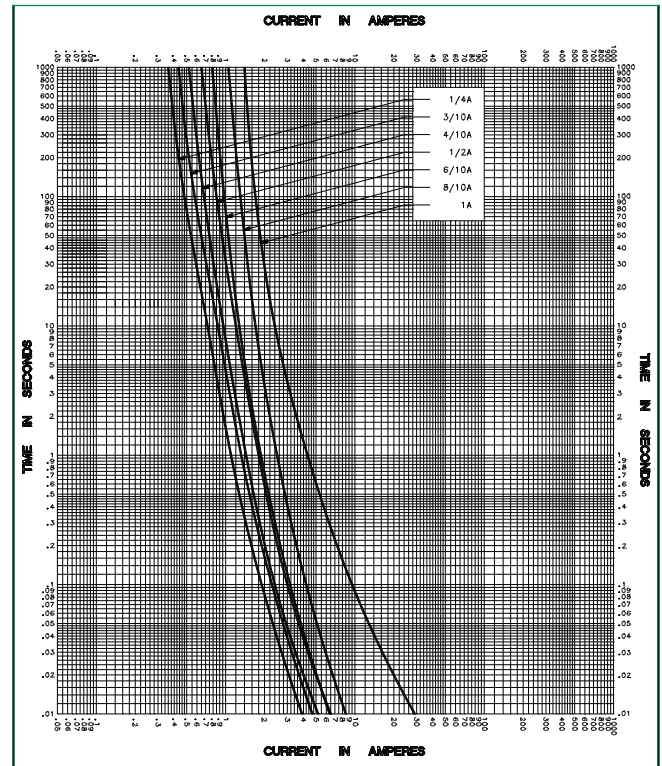
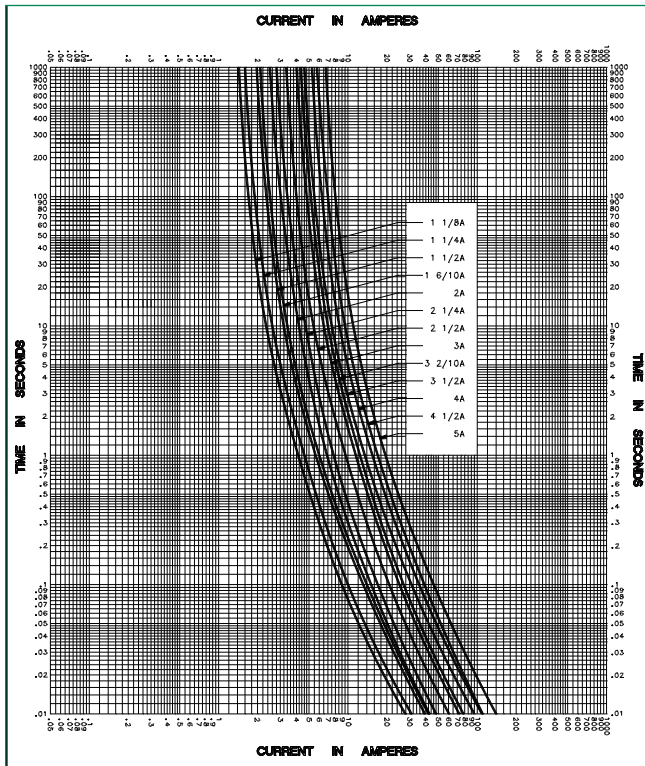
Temperature Derating Curve (Temperature of Air Immediately Surrounding Fuse)



Time Current Curves



Time Current Curves



FLQ SERIES MIDGET (10x38mm) FUSES

Time Current Curves

