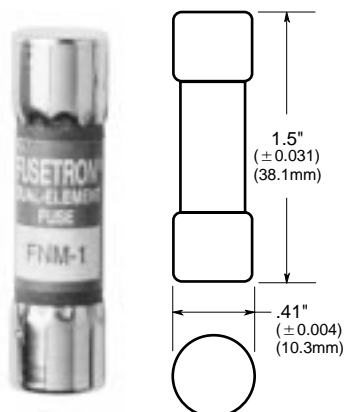



Time-Delay Ferrule Fuse

FNM

13/32" x 1-1/2"



- Fibre tube.
- For circuits with high inrush currents.
- Formerly designated 5AB.
- Fusetron® Dual-Element fuse.



Recommended fuseblocks/fuseholders for 13/32" x 1-1/2" fuses
See Data Sheets listed below

- Open fuseblocks - 1104, 2104
- Finger-safe fuseholders - 1109, 1102, 1103, 1151
- Panel-mount fuseholders - 2114, 2113, 2108, 2112, 2109, 2140
- In-line fuseholders - 2127, 2126

Catalog Symbol: FNM

TIME-DELAY

1/10 TO 30A

Interrupting Rating - SEE CHART BELOW

UL Listed: STD. 248-14, 0-10/250Vac; 12-15/125Vac

FILE #E19180, GUIDE #JDYX

CSA Certified: 1-10/250Vac; CLASS 1422-01,

12-15/125Vac; FILE 53787

Electrical Ratings (Catalog Symbol and Amperes)

250Vac IR	250Vac IR	250Vac IR	125Vac
FNM-1/10	FNM-1-1/8	FNM-4	FNM-12 10,000
FNM-1/8	FNM-1-1/4	FNM-4-1/2	FNM-15 @ 125Vac
FNM-15/100	FNM-1-4/10	FNM-5	-
FNM-2/10	FNM-1-1/2	FNM-5-6/10	-
FNM-1/4 35A @	FNM-1-6/10 100A @	FNM-6	32Vac
FNM-3/10 250Vac	FNM-1-8/10 250Vac	FNM-6-1/4 200A @	FNM-20 250Vac
FNM-4/10 10,000	FNM-2 10,000	FNM-7 10,000 @	FNM-25 125Vac
FNM-1/2 @	FNM-2-1/4 @	FNM-8 @	FNM-30
FNM-6/10 125Vac	FNM-2-1/2 125Vac	FNM-9	-
FNM-3/4	FNM-2-8/10	FNM-10	-
FNM-8/10	FNM-3	-	-
FNM-1	FNM-3-2/10	-	-
-	FNM-3-1/2	-	-

If 250Vac is needed for 12-30A, use FNW series.

Carton Quantity and Weight

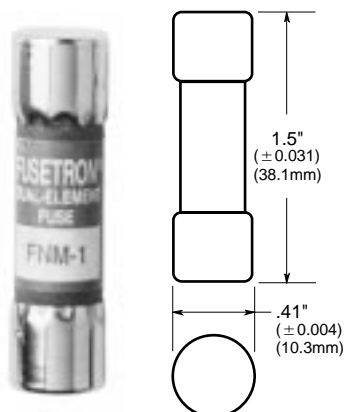
Ampere Ratings	Carton Qty	Weight	
		Lbs.	Kg.
0-30	10	.125	.057

CE CE logo denotes compliance with European Union Low Voltage Directive (50-1000Vac, 75-1500Vdc). Refer to Data Sheet: 8002 or contact Bussmann Application Engineering at 636-527-1270 for more information.


Time-Delay Ferrule Fuse

FNM

13/32" x 1-1/2"



- Fibre tube.
- For circuits with high inrush currents.
- Formerly designated 5AB.
- Fusetron® Dual-Element fuse.



Recommended fuseblocks/fuseholders for 13/32" x 1-1/2" fuses
See Data Sheets listed below

- Open fuseblocks - 1104, 2104
- Finger-safe fuseholders - 1109, 1102, 1103, 1151
- Panel-mount fuseholders - 2114, 2113, 2108, 2112, 2109, 2140
- In-line fuseholders - 2127, 2126

Catalog Symbol: FNM

TIME-DELAY

1/10 TO 30A

Interrupting Rating - SEE CHART BELOW

UL Listed: STD. 248-14, 0-10/250Vac; 12-15/125Vac

FILE #E19180, GUIDE #JDYX

CSA Certified: 1-10/250Vac; CLASS 1422-01,

12-15/125Vac; FILE 53787

Electrical Ratings (Catalog Symbol and Amperes)

250Vac IR	250Vac IR	250Vac IR	125Vac
FNM-1/10	FNM-1-1/8	FNM-4	FNM-12 10,000
FNM-1/8	FNM-1-1/4	FNM-4-1/2	FNM-15 @ 125Vac
FNM-15/100	FNM-1-4/10	FNM-5	-
FNM-2/10	FNM-1-1/2	FNM-5-6/10	-
FNM-1/4 35A @	FNM-1-6/10 100A @	FNM-6	32Vac
FNM-3/10 250Vac	FNM-1-8/10 250Vac	FNM-6-1/4 200A @	FNM-20 250Vac
FNM-4/10 10,000	FNM-2 10,000	FNM-7 10,000 @	FNM-25 125Vac
FNM-1/2 @	FNM-2-1/4 @	FNM-8 @	FNM-30
FNM-6/10 125Vac	FNM-2-1/2 125Vac	FNM-9	-
FNM-3/4	FNM-2-8/10	FNM-10	-
FNM-8/10	FNM-3	-	-
FNM-1	FNM-3-2/10	-	-
-	FNM-3-1/2	-	-

If 250Vac is needed for 12-30A, use FNW series.

Carton Quantity and Weight

Ampere Ratings	Carton Qty	Weight	
		Lbs.	Kg.
0-30	10	.125	.057

CE CE logo denotes compliance with European Union Low Voltage Directive (50-1000Vac, 75-1500Vdc). Refer to Data Sheet: 8002 or contact Bussmann Application Engineering at 636-527-1270 for more information.