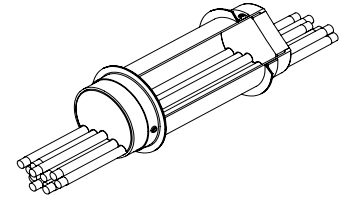
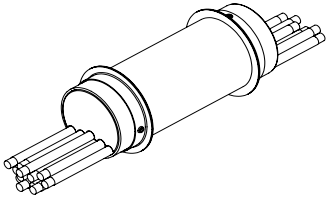


READY® SLEEVE Firestop Sleeve



Catalog No.
FS100, FS200, FS201, FS400, FS401

READ COMPLETELY BEFORE INSTALLING

GENERAL:

This product is designed for new cabling installation in walls or floors up to 10" (250 mm) thick. When installed, sleeve should be positioned at the approximate midpoint of the barrier and extend an equal distance from both sides.

TOOLS:

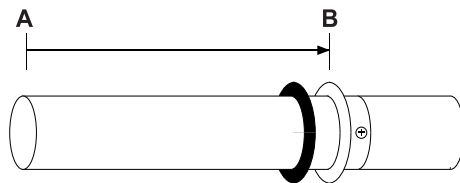
Phillips screw driver.
 Appropriately sized hole saw (gypsum board) or core drill bit. See Table 1.

TABLE 1:

Catalog Number	Trade Size*	Min. Opening	Max. Opening
FS100	1" (25 mm)	1.163" (30 mm)	1.25" (32 mm)
FS200, FS201	2" (51mm)	2.375" (60 mm)	2.5" (65 mm)
FS400, FS401	4" (102 mm)	4.500" (114 mm)	4.5" (114 mm)

PRODUCT INSTALLATION:

- Step 1: Create a circular opening in the barrier to accommodate the steel sleeve. (See Table 1)
- Step 2: Measure the thickness of the barrier.
- Step 3: Install the first escutcheon plate on the sleeve. Using Table 2, measure from one end of the sleeve (A) and mark the position of the flange on the sleeve (B) as shown below. Tighten set screws. Slide gasket onto sleeve.
- Step 4: Slide sleeve assembly into barrier.



- Step 5: Working from the opposite side of the barrier, install gasket and escutcheon over sleeve. Pull sleeve toward you to snug against the opposite side of the barrier. Push escutcheon plate tightly against barrier surface and tighten set screws.

- Step 6: After cables are pulled, install SpecSeal® Firestop Putty to 1" (25 mm) depth on each side of wall, flush with ends of steel sleeve. Where cables are in contact with steel sleeve, apply a min 1/4" (6 mm) diameter "rope" of putty at the grouped cable/steel sleeve interface.

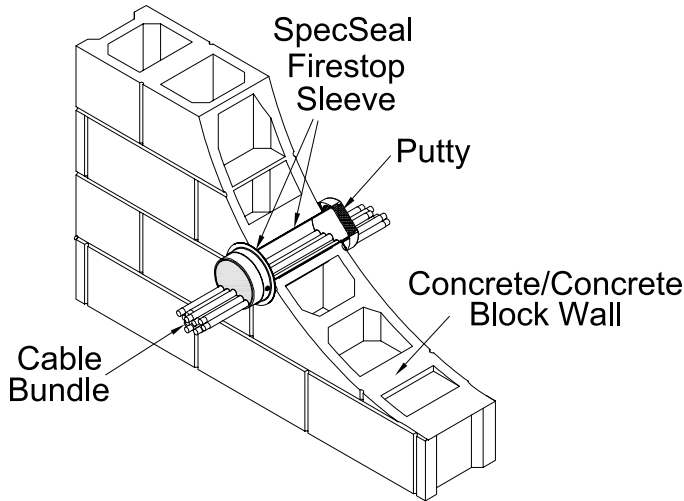
TABLE 2:

Barrier Inches	Barrier (mm)	Distance A to B Inches	Distance A to B (mm)
4	102	8.00	203
4.5	114	8.25	210
5	127	8.50	216
5.5	140	8.75	222
6	152	9.00	229
6.5	165	9.25	235
7	178	9.50	241
7.5	191	9.75	248
7.625*	194	9.81	249
8	203	10.00	254
8.5	216	10.25	260
9	229	10.50	267
9.5	241	10.75	273
10	254	11.00	279

*Standard CMU wall thickness

For floor installations, see UL System No. F-A-3029 in the UL Fire Resistance Directory

READY® SLEEVE Firestop Sleeve



UL System No. W-J-3141

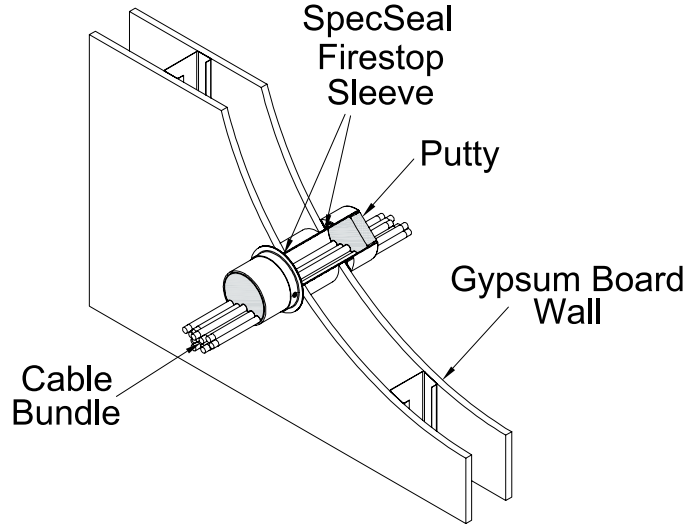
F Rating - 2 Hr

Electrical, Telephone or Data Cables (Max. 48% Fill)

SpecSeal® READY® SLEEVE: FS100, FS200, FS201,

FS400, FS401

SpecSeal® Putty: 1" Depth (each side)



UL System No. W-L-3275

F Rating - 1 or 2 Hr

Electrical, Telephone or Data Cables (Max. 48% Fill)

SpecSeal® READY® SLEEVE: FS100, FS200, FS201, FS400,

FS401

SpecSeal® Putty: 1" Depth (each side)

LIMITED WARRANTY: STI warrants that its products will be free of defects for one year from the date of purchase. In the event a product does not conform to this warranty, the sole and exclusive remedy is, at STI's option, replacement of the product or refund of the purchase price. The warranty provided herein shall be void and of no effect in the event that the product is not installed in accordance with STI's published instructions, listed systems and applicable building and safety codes. THIS WARRANTY IS IN LIEU OF ALL OTHER REPRESENTATIONS AND EXPRESSED OR IMPLIED WARRANTIES (including the implied warranties of merchantability or fitness for a particular use) AND UNDER NO CIRCUMSTANCES SHALL STI BE LIABLE FOR ANY DIRECT, INDIRECT, SPECIAL, INCIDENTAL OR CONSEQUENTIAL DAMAGES OR LOSSES, INCLUDING, WITHOUT LIMITATION, ANY LOSS OF REVENUE, PROFIT OR USE. Prior to use, the user shall determine the suitability of the product for its intended use, and the user assumes all risks and liability for subsequent use. No person other than an officer of STI is authorized to bind STI to any other warranty for any product for which this warranty is issued.

MADE IN THE USA – COPYRIGHT © 2014 SPECIFIED TECHNOLOGIES INC.



Somerville, NJ 08876 USA
US Toll Free: (800) 992-1180
Outside US: + 1 908 526 8000
www.stifirestop.com